



US00D674513S

(12) **United States Design Patent**
Liu

(10) **Patent No.:** **US D674,513 S**
(45) **Date of Patent:** **** Jan. 15, 2013**

(54) **MOUNTING RAIL**

D627,489 S 11/2010 Stephens
D631,171 S 1/2011 Konrad
D643,545 S 8/2011 McDonald et al.

(75) Inventor: **Jun Liu**, Camas, WA (US)

* cited by examiner

(73) Assignee: **Sunmodo Corporation**, Vancouver, WA (US)

Primary Examiner — Doris Clark

(**) Term: **14 Years**

(74) *Attorney, Agent, or Firm* — Stone Creek Services LLC; Alan M Flum

(21) Appl. No.: **29/400,469**

(57) **CLAIM**

The ornamental design for a mounting rail, as shown and described.

(22) Filed: **Aug. 29, 2011**

DESCRIPTION

(51) **LOC (9) Cl.** **25-01**

(52) **U.S. Cl.** **D25/126**

(58) **Field of Classification Search** D25/126;
52/27, 58, 60, 62, 173.3, 698, DIG. 17; 248/205.1,
248/237; 126/623; 136/244

See application file for complete search history.

FIG. 1 is a front left side perspective view of a mounting rail in accordance with the new design;

FIG. 2 is a front right side perspective view thereof;

FIG. 3 is a front view thereof;

FIG. 4 is a rear view thereof;

FIG. 5 is a left side view thereof;

FIG. 6 is a right side view thereof;

FIG. 7 is a top view thereof; and,

FIG. 8 is a bottom view thereof.

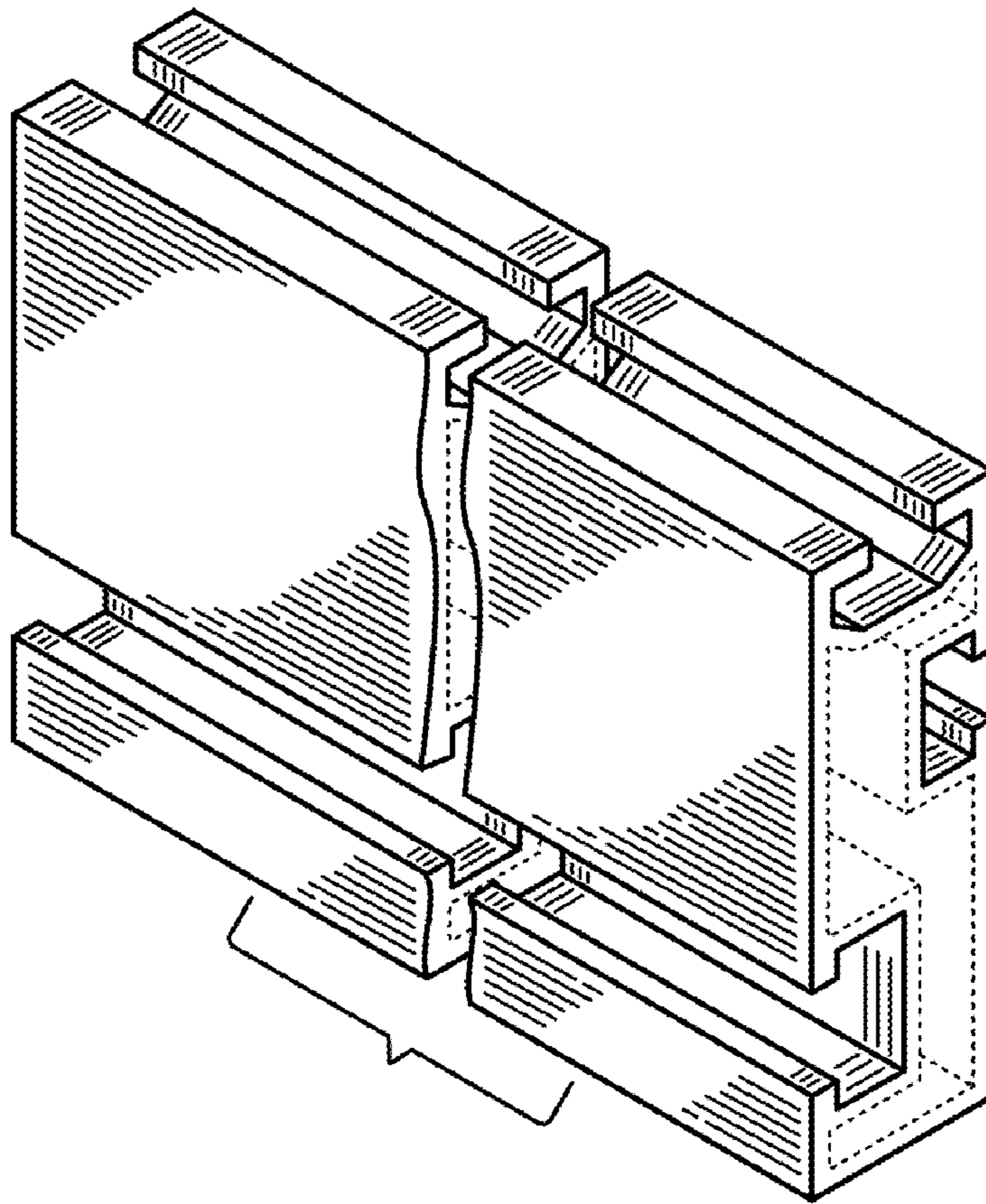
FIGS. 1, 2, 5, 6, 7, and 8 are shown broken away near the center to indicate indeterminate length. Portions in broken lines are for illustrative purpose only and form no part of the claimed design.

(56) **References Cited**

U.S. PATENT DOCUMENTS

D336,345	S	*	6/1993	Fasth et al.	D25/126
5,762,720	A	*	6/1998	Hanoka et al.	136/251
6,065,255	A	*	5/2000	Stern et al.	52/173.3
D616,568	S		5/2010	Desrosiers et al.		
D619,447	S		7/2010	Liu		
D626,663	S		11/2010	Stephens		

1 Claim, 4 Drawing Sheets



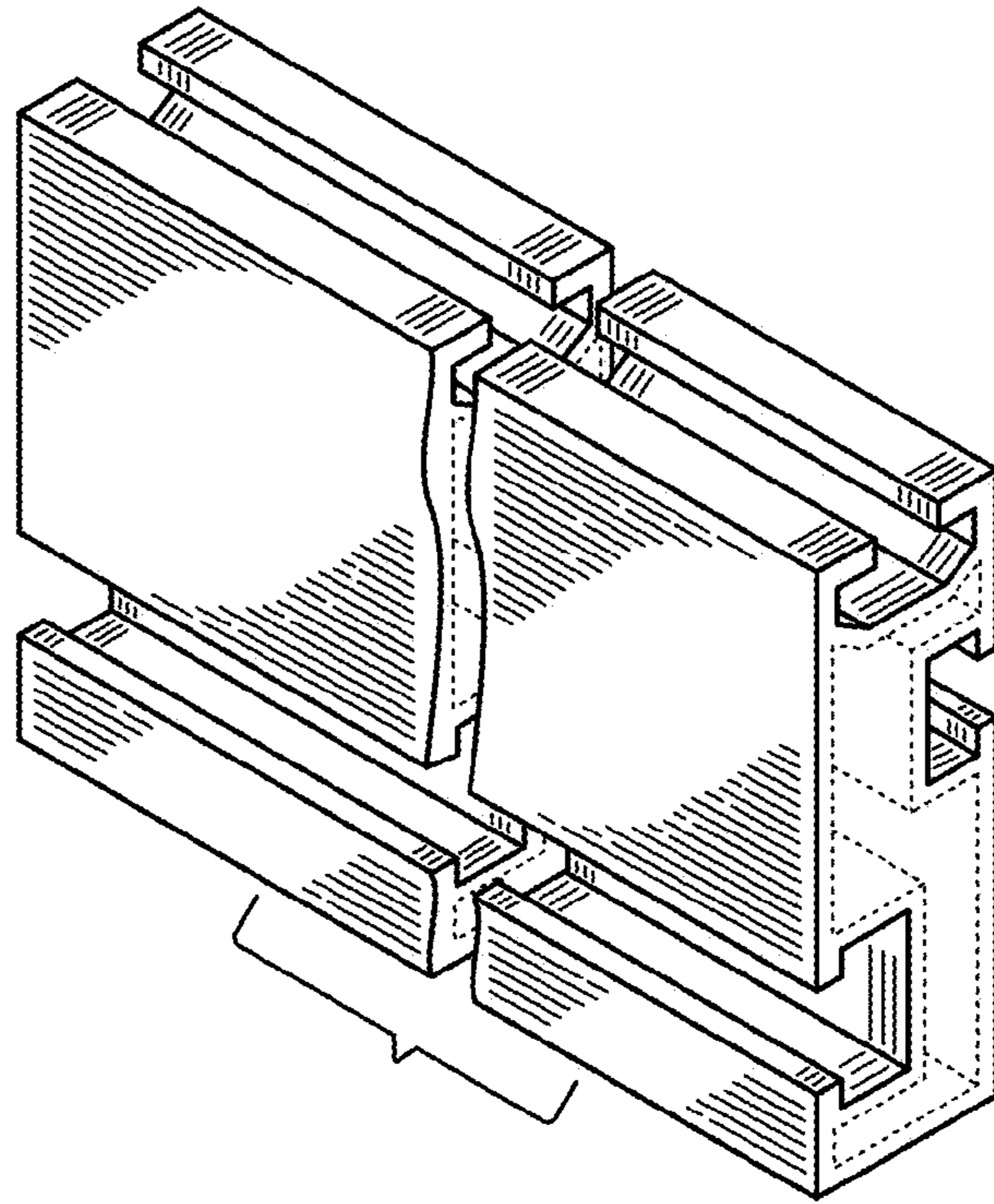


FIG. 1

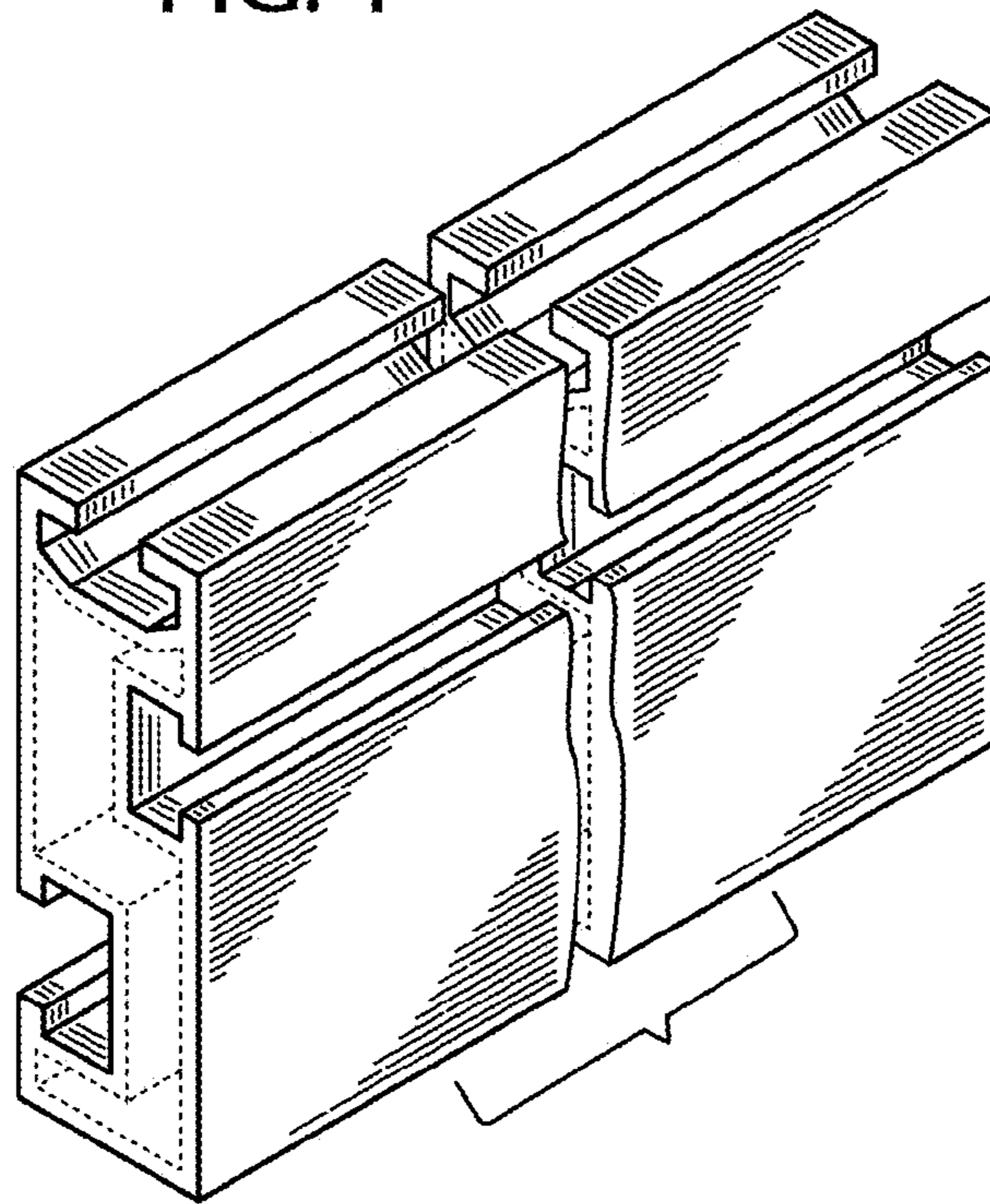


FIG. 2

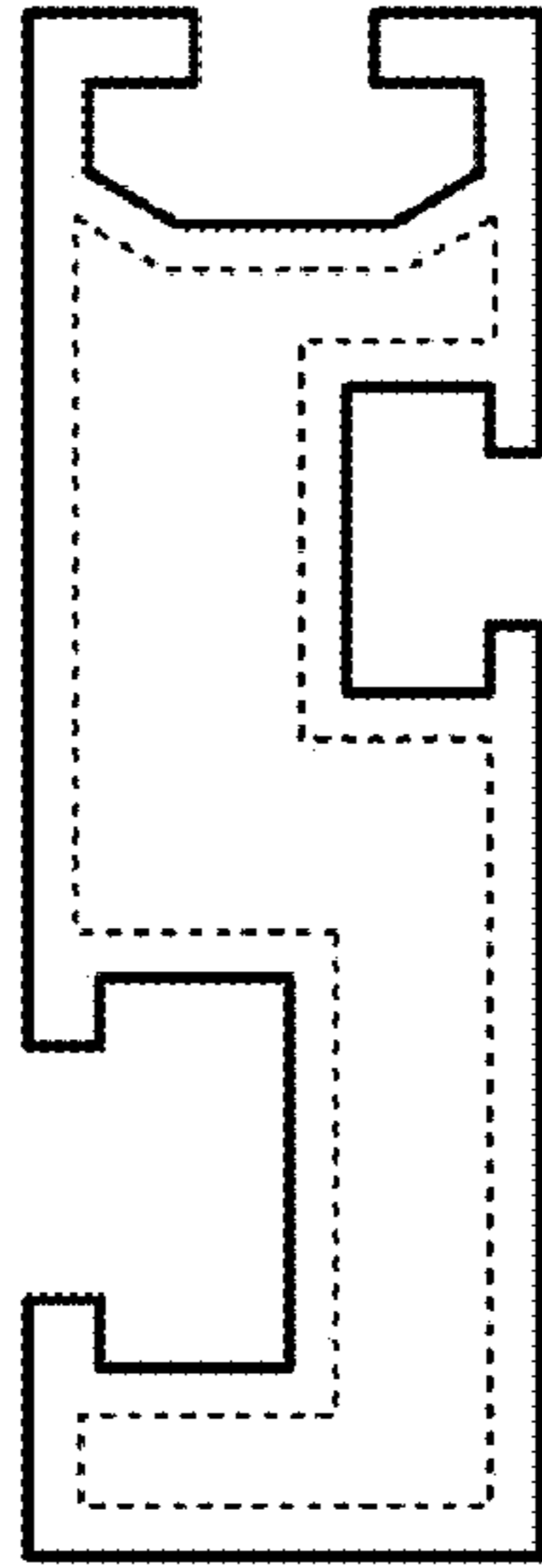


FIG. 3

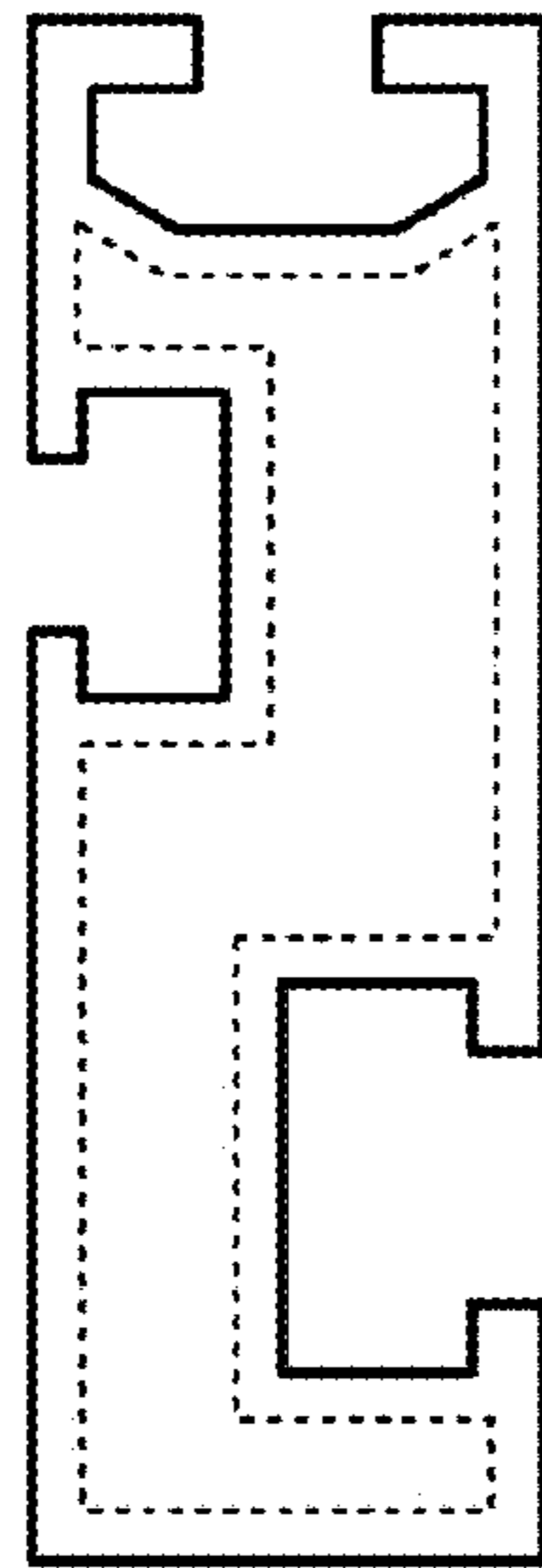


FIG. 4

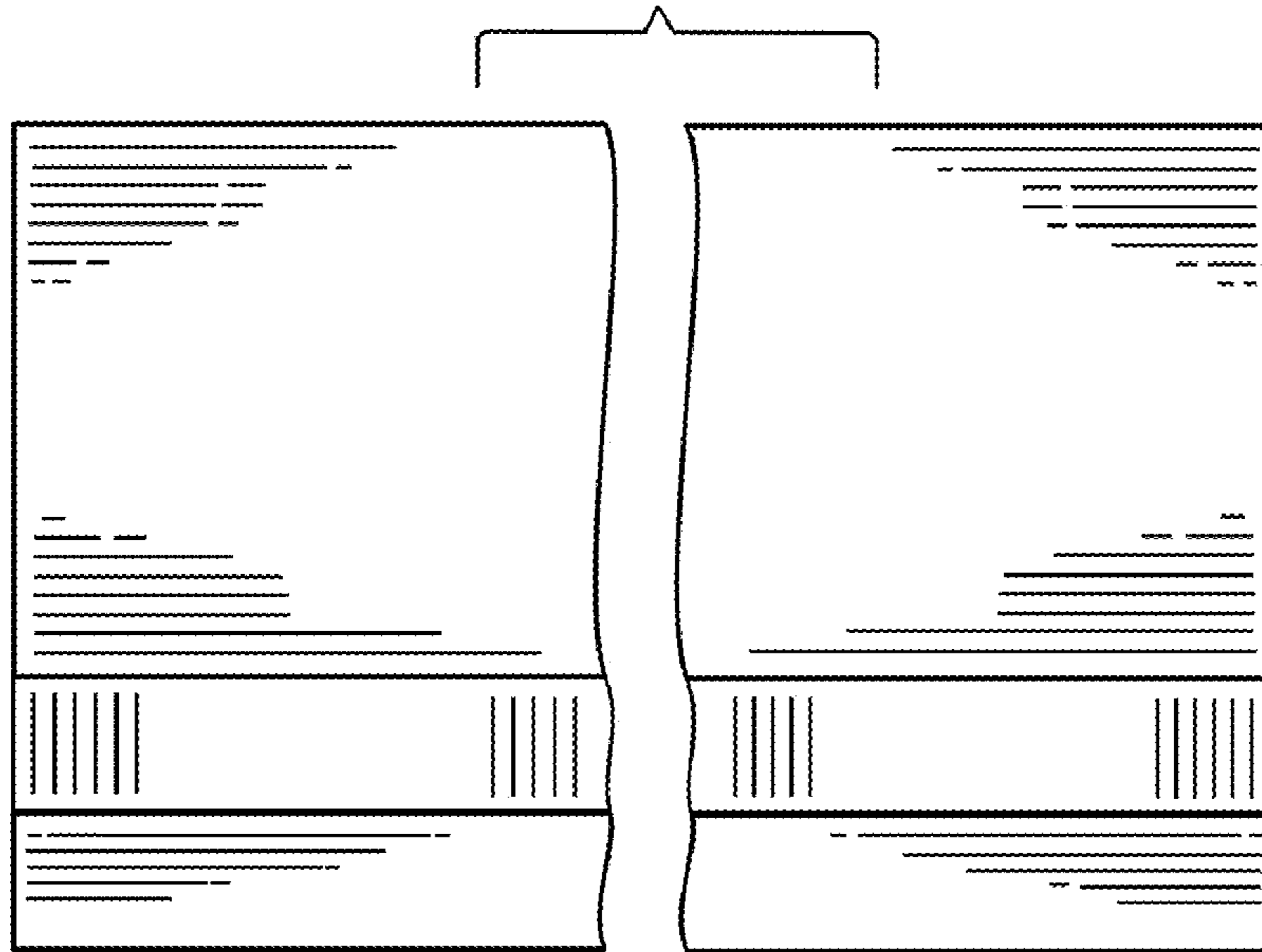


FIG. 5

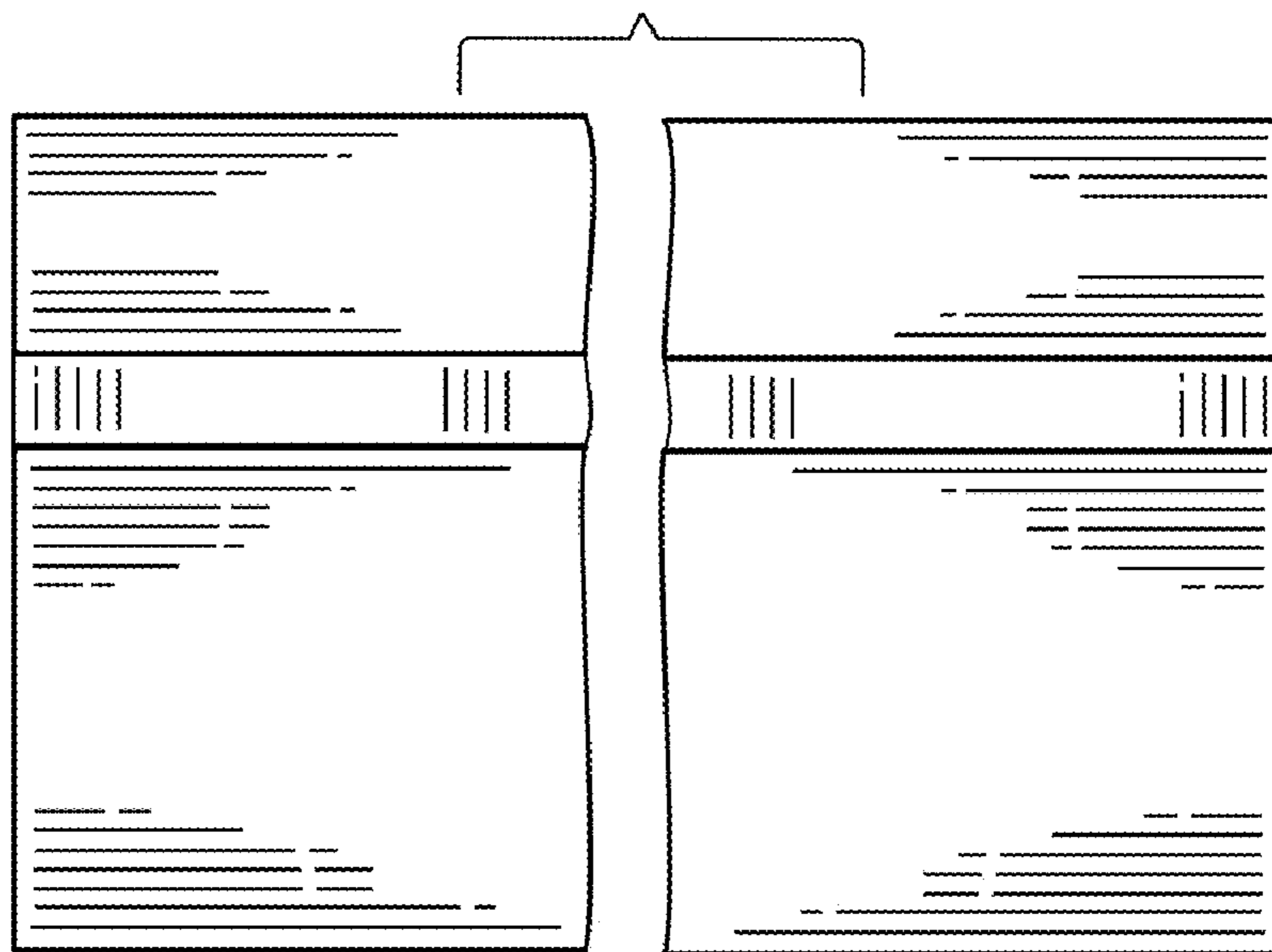


FIG. 6

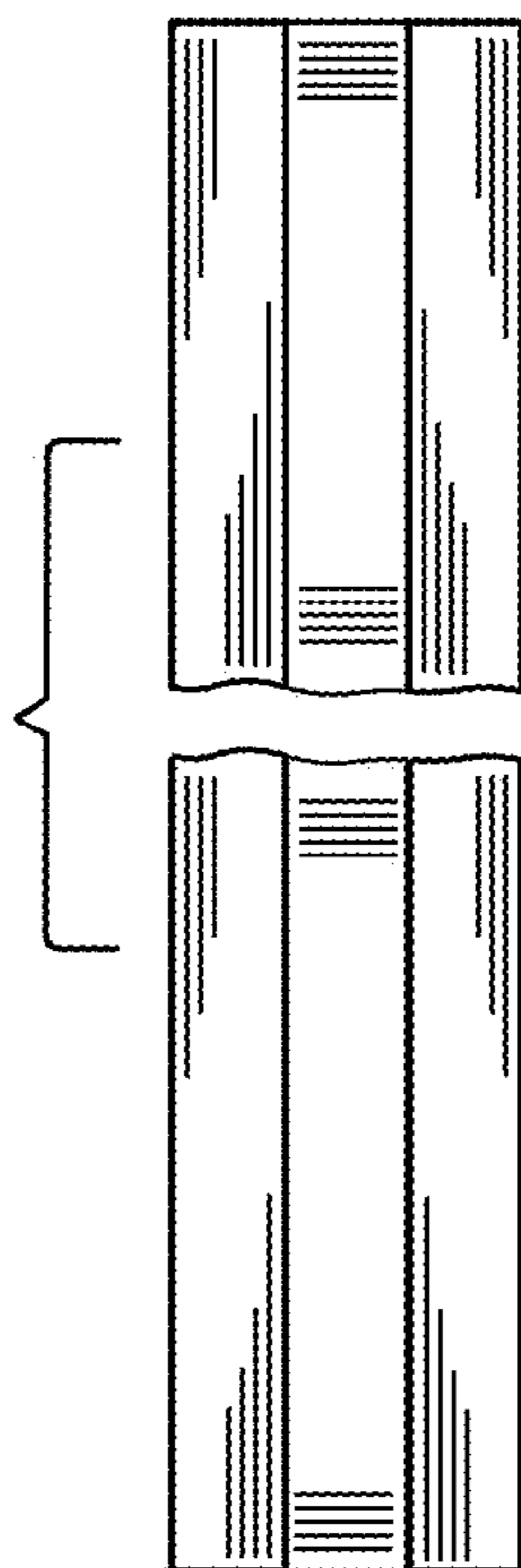


FIG. 7

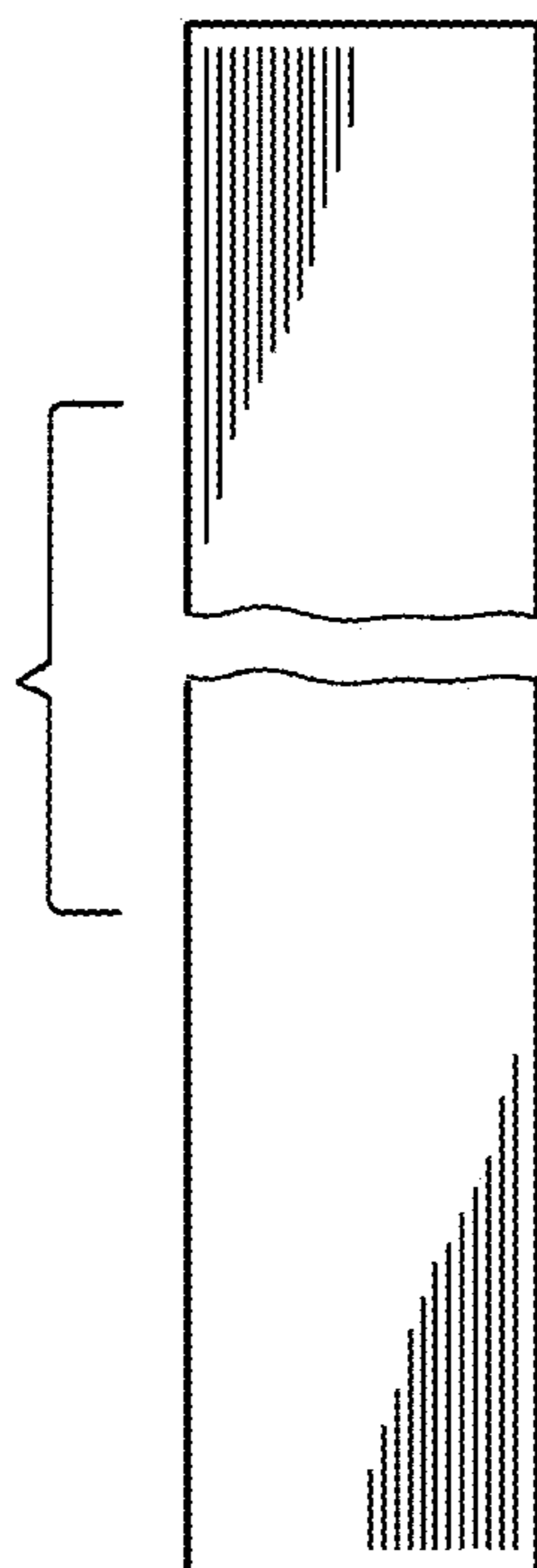


FIG. 8