

US00D674509S

(12) **United States Design Patent**  
**Moss et al.**

(10) **Patent No.:** **US D674,509 S**  
(45) **Date of Patent:** **\*\* Jan. 15, 2013**

(54) **LADDER STILE SECTION**

4,153,137 A \* 5/1979 Johnson ..... 182/97  
4,998,982 A 3/1991 Arnold et al.

(75) Inventors: **N. Ryan Moss**, Mapleton, UT (US);  
**Ryan Crawford**, Salem, UT (US)

\* cited by examiner

(73) Assignee: **Wing Enterprise, Inc.**, Springville, UT (US)

*Primary Examiner* — Doris Clark  
(74) *Attorney, Agent, or Firm* — Holland & Hart, LLP

(\*\*) Term: **14 Years**

(57) **CLAIM**  
The ornamental design for ladder stile section, as shown and described.

(21) Appl. No.: **29/391,207**

**DESCRIPTION**

(22) Filed: **May 4, 2011**

(51) **LOC (9) Cl.** ..... **25-04**

(52) **U.S. Cl.** ..... **D25/69**

(58) **Field of Classification Search** ..... D25/69;  
182/106, 180.1, 201, 228.1

See application file for complete search history.

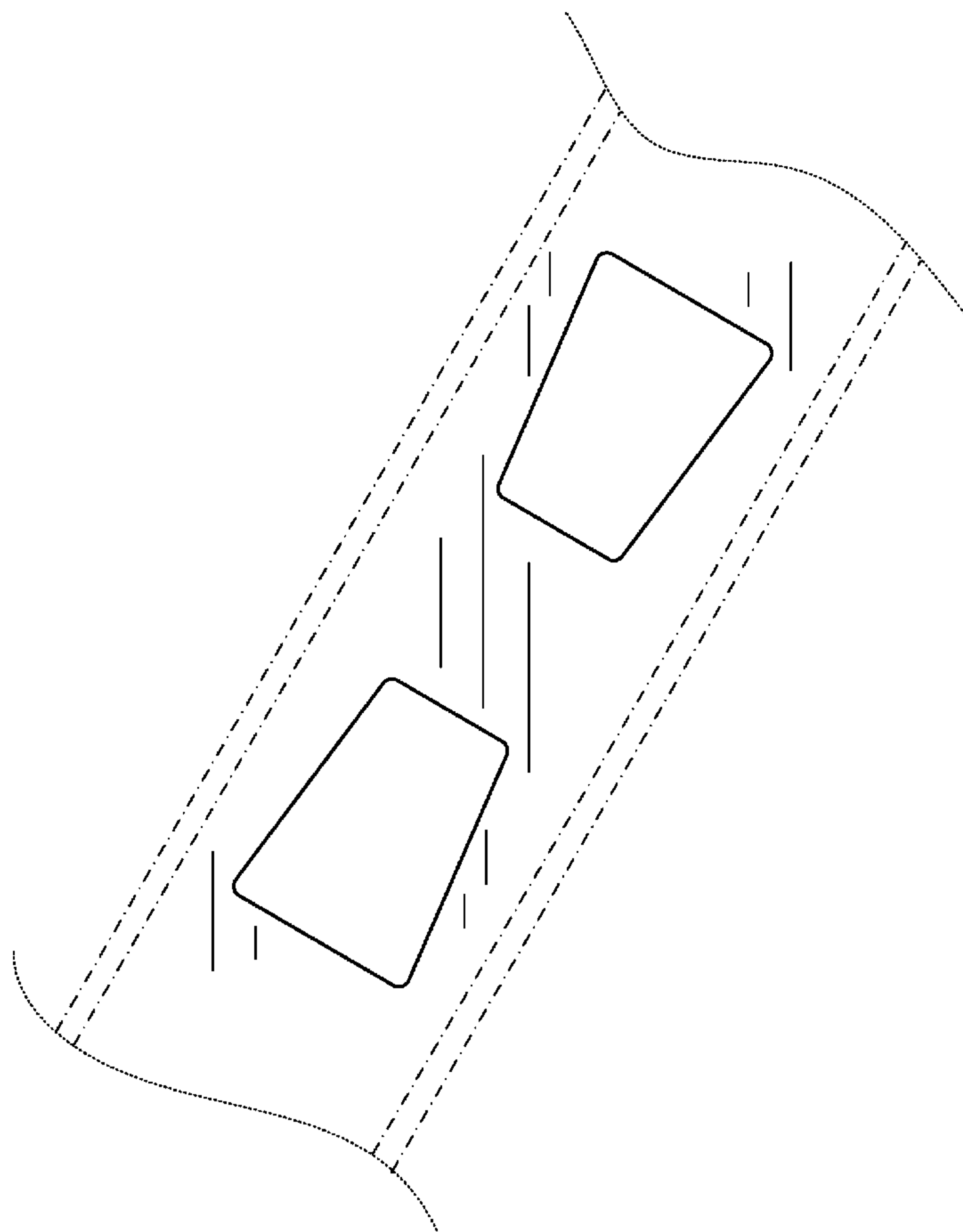
FIG. 1 is a perspective view of ladder stile section showing an embodiment of our new design;  
FIG. 2 is a side view of one of the ladder stile section shown in FIG. 1, wherein a side view of the other corresponding rail shown in FIG. 1 is a mirror image of that which is shown in FIG. 2; and,  
FIG. 3 is an enlarged view of a portion of ladder stile section shown FIG. 2.  
The uneven broken line representations in the drawings are for illustrative purposes only and form no part of the claimed design.

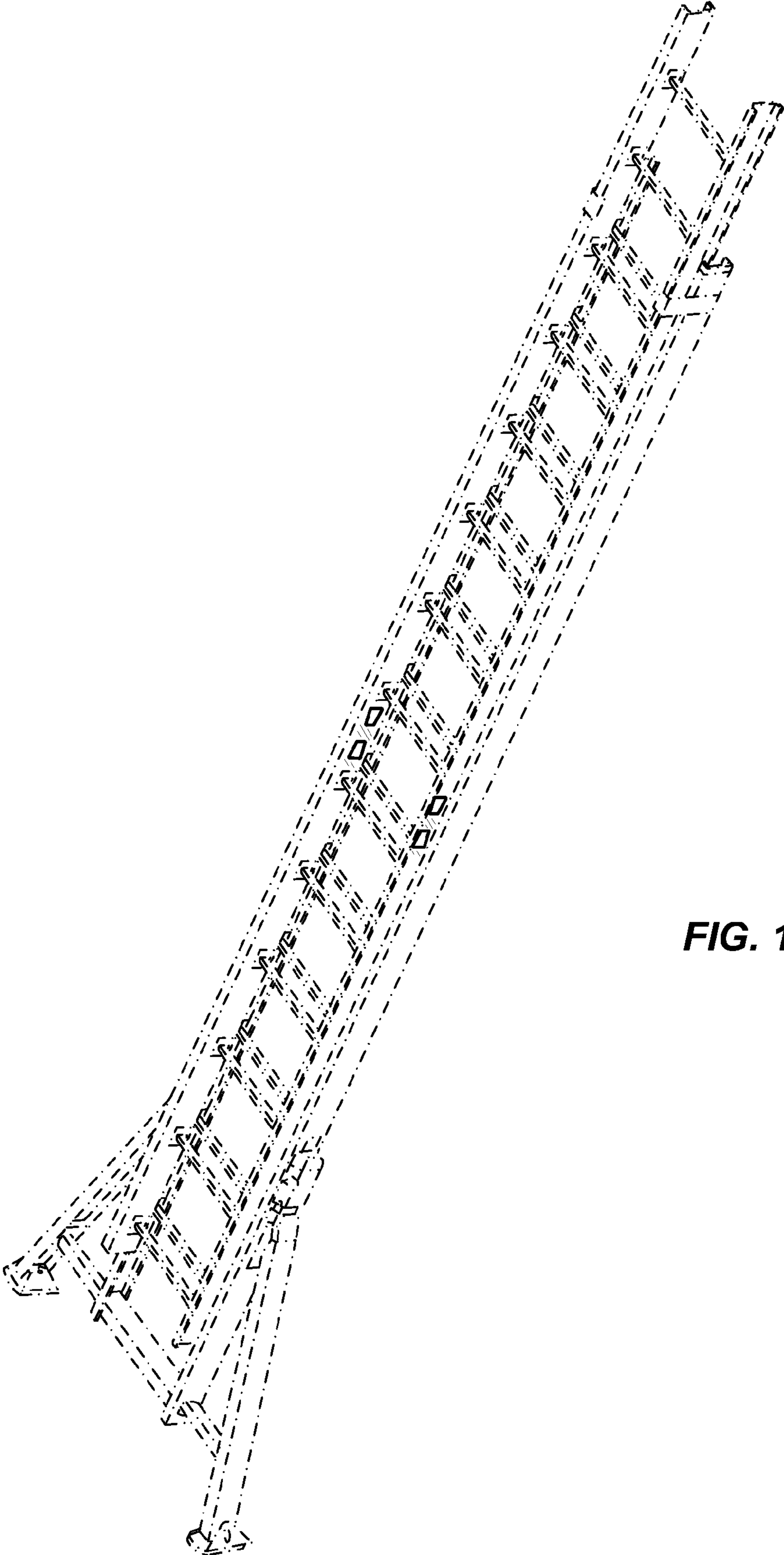
(56) **References Cited**

U.S. PATENT DOCUMENTS

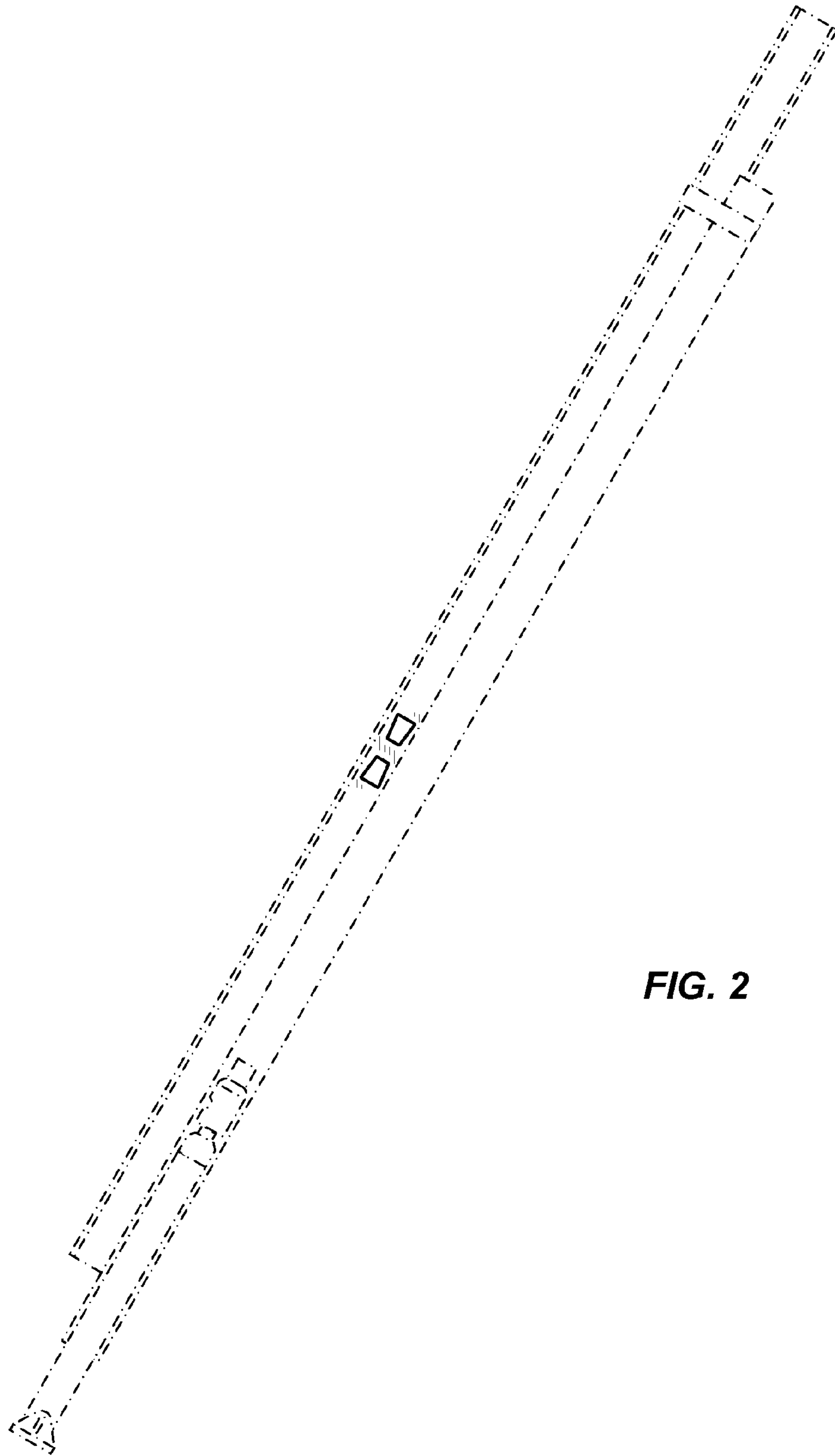
1,960,863 A \* 5/1934 Boyer ..... 248/238  
D140,324 S \* 2/1945 Boyer ..... D25/69  
3,259,209 A \* 7/1966 Brown ..... 182/189

**1 Claim, 3 Drawing Sheets**

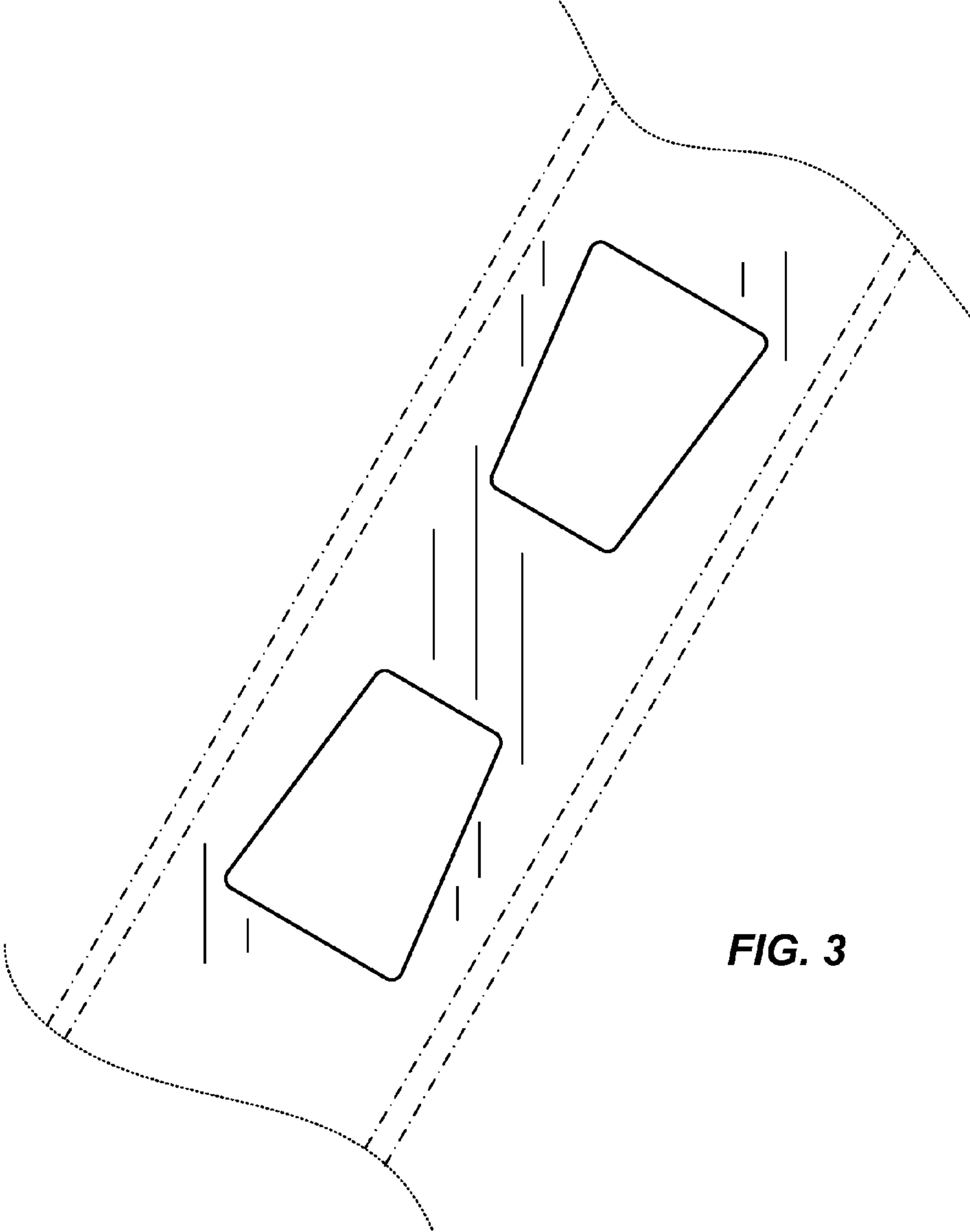




**FIG. 1**



**FIG. 2**



**FIG. 3**