



US00D674508S

(12) **United States Design Patent**  
**Yoder et al.**

(10) **Patent No.:** **US D674,508 S**  
(45) **Date of Patent:** **\*\* Jan. 15, 2013**

(54) **TRUSS FRAME MEMBER FOR A MODULAR BUILDING**

(75) Inventors: **Steven M. Yoder**, Shawnee, KS (US);  
**Bart David Yoder**, Louisburg, KS (US)

(73) Assignee: **Performance Contracting, Inc.**,  
Lenexa, KS (US)

(\*\*) Term: **14 Years**

(21) Appl. No.: **29/426,814**

(22) Filed: **Jul. 11, 2012**

**Related U.S. Application Data**

(62) Division of application No. 29/391,120, filed on May 4, 2011, now Pat. No. Des. 665,512.

(51) **LOC (9) Cl.** ..... **25-02**

(52) **U.S. Cl.** ..... **D25/61**

(58) **Field of Classification Search** ..... 52/283,  
52/634, 639, 643, 690, 96, 94; D25/199,  
D25/164, 61

See application file for complete search history.

(56) **References Cited**

**U.S. PATENT DOCUMENTS**

1,532,695	A	4/1925	Harting et al.	
1,552,474	A *	9/1925	Dornier	52/634
2,177,699	A	10/1939	Fisher	
2,414,094	A *	1/1947	Couelle	52/690
2,858,916	A	11/1958	Josephs	
3,127,960	A	4/1964	Vincent et al.	
3,135,070	A	6/1964	Waring et al.	
3,141,531	A *	7/1964	Montgomery	52/634
3,735,540	A	5/1973	Thaler	
3,783,564	A	1/1974	Dunn et al.	

3,834,104	A	9/1974	Dunn et al.	
3,849,961	A *	11/1974	Gwynne	52/639
3,984,951	A	10/1976	Hindman	
5,425,207	A	6/1995	Shayman	
6,088,971	A	7/2000	Nystrom	
6,092,340	A	7/2000	Simmons	
6,195,950	B1	3/2001	Harris	
D472,648	S	4/2003	Linsley	
6,604,328	B1 *	8/2003	Paddock	52/93.1

(Continued)

**OTHER PUBLICATIONS**

U.S. Appl. No. 29/427,610, filed Jul. 20, 2012.

*Primary Examiner* — Robert Delehanty

(74) *Attorney, Agent, or Firm* — Womble Carlyle Sandridge & Rice LLP

(57) **CLAIM**

The ornamental design for a truss frame member for a modular building, as shown and described.

**DESCRIPTION**

FIG. 1 is a first perspective view of a truss frame member for a modular building showing our new design.

FIG. 2 is a second perspective view of the frame member of FIG. 1.

FIG. 3 is a front view of the frame member of FIG. 1.

FIG. 4 is a rear view of the frame member of FIG. 1.

FIG. 5 is a left side view of the frame member of FIG. 1.

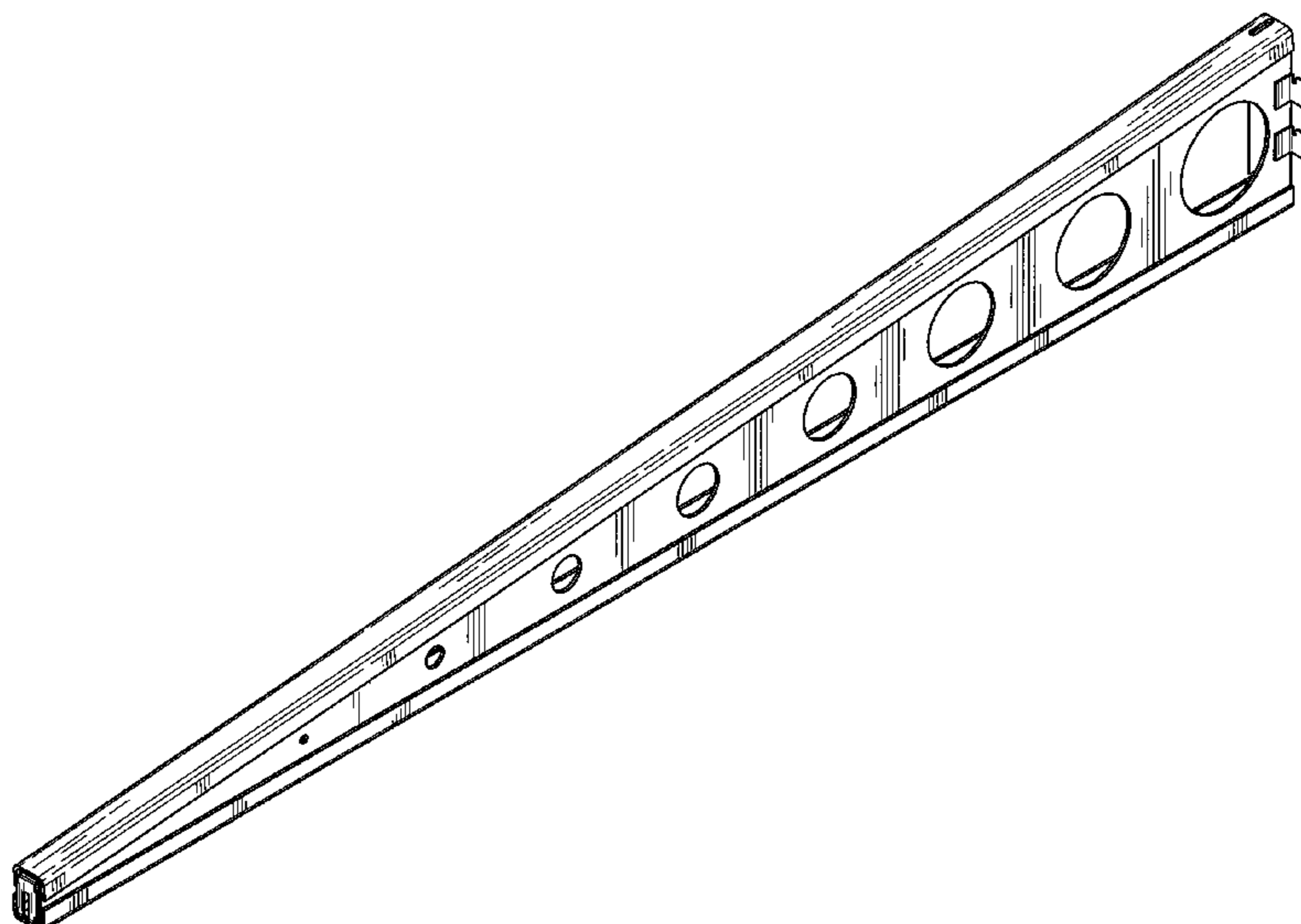
FIG. 6 is a right side view of the frame member of FIG. 1.

FIG. 7 is a top view of the frame member of FIG. 1.

FIG. 8 is a bottom view of the frame member of FIG. 1; and,

FIG. 9 is a perspective and exploded view of a truss frame member for a modular building showing our new design, according to one embodiment.

**1 Claim, 6 Drawing Sheets**



# US D674,508 S

Page 2

---

## U.S. PATENT DOCUMENTS

6,751,911	B1	6/2004	Gates et al.			
6,786,018	B2	9/2004	Webb et al.			
6,820,376	B2 *	11/2004	Morphet .....	52/58		
7,228,670	B2	6/2007	Ollman			
D665,512	S	8/2012	Yoder et al.			
					D666,313	S 8/2012 Yoder et al.
					2003/0009963	A1 1/2003 Crowell
					2005/0011142	A1 1/2005 Higgins
					2009/0272063	A1 11/2009 Siu

\* cited by examiner

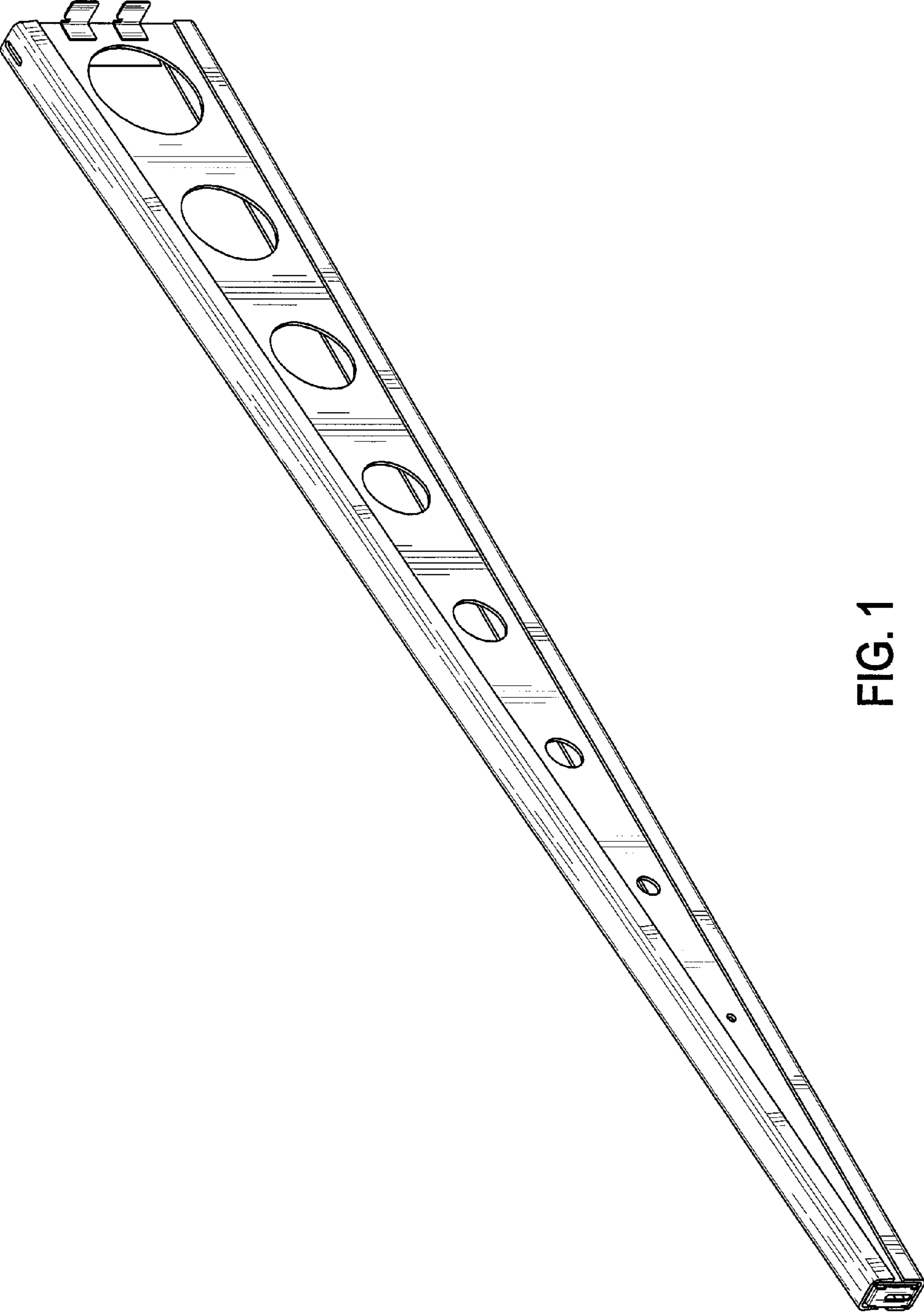


FIG. 1

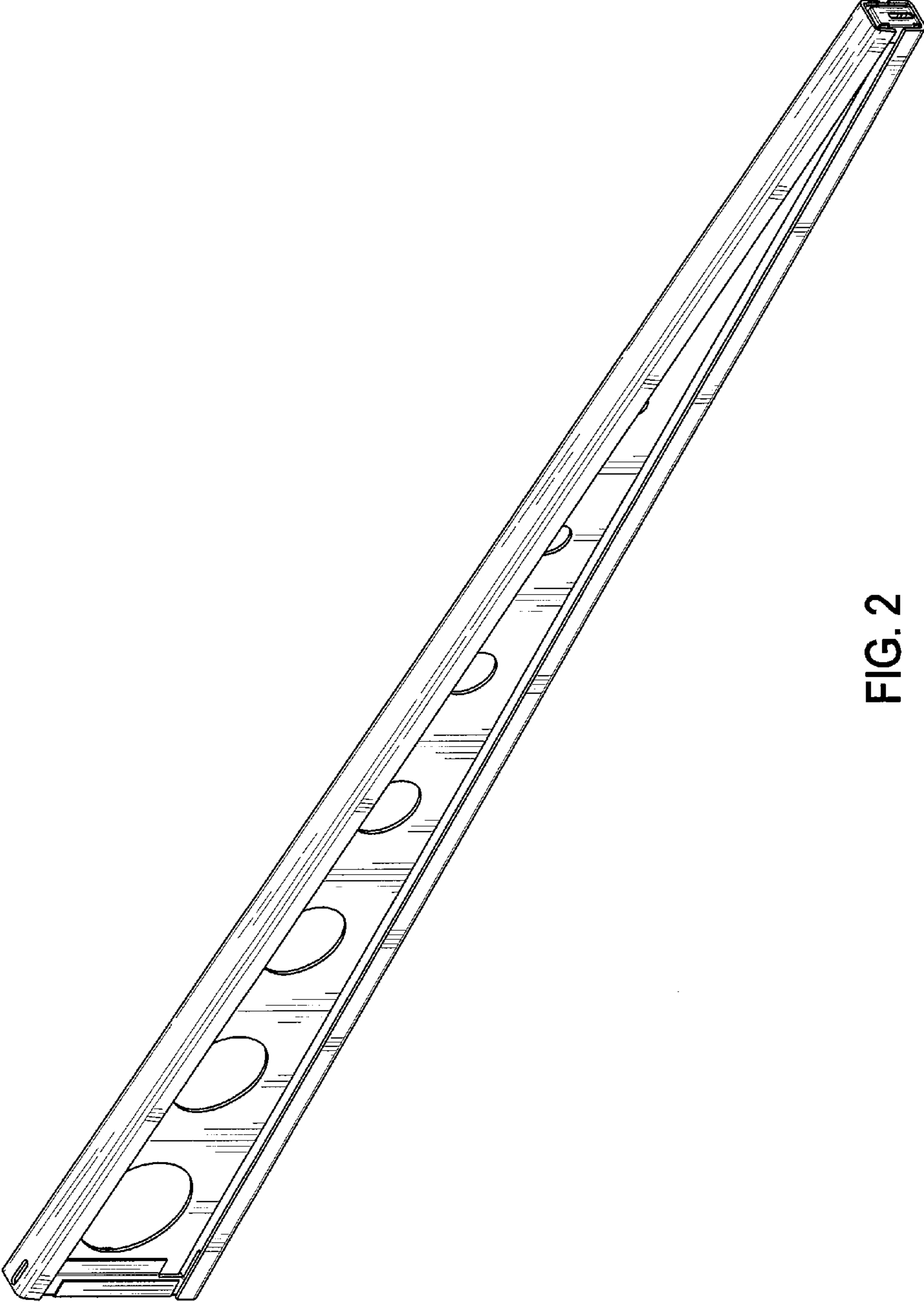


FIG. 2

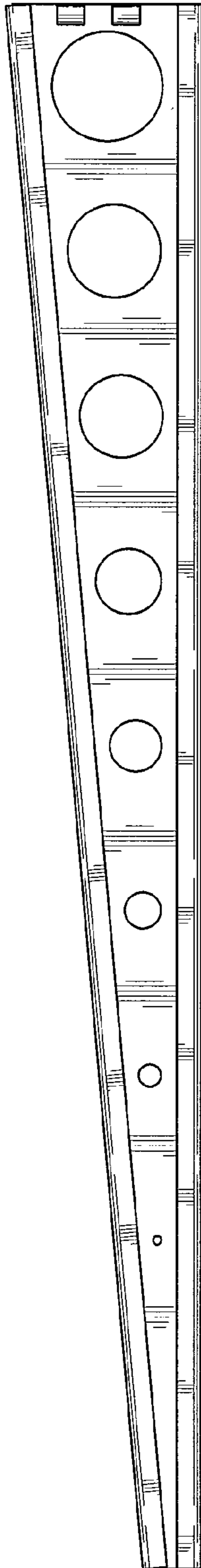


FIG. 3

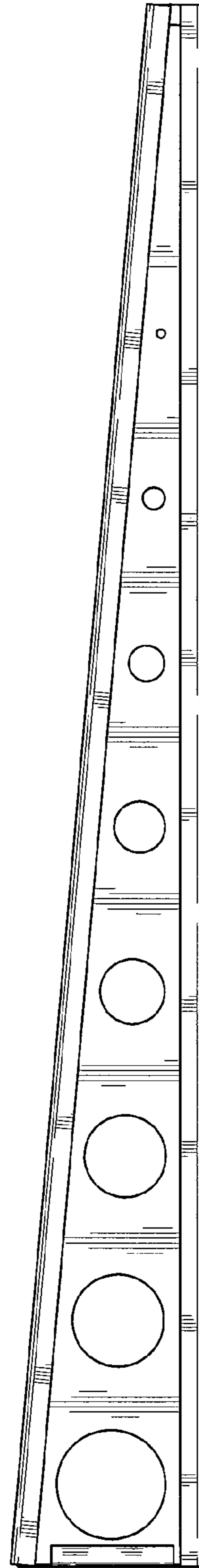


FIG. 4

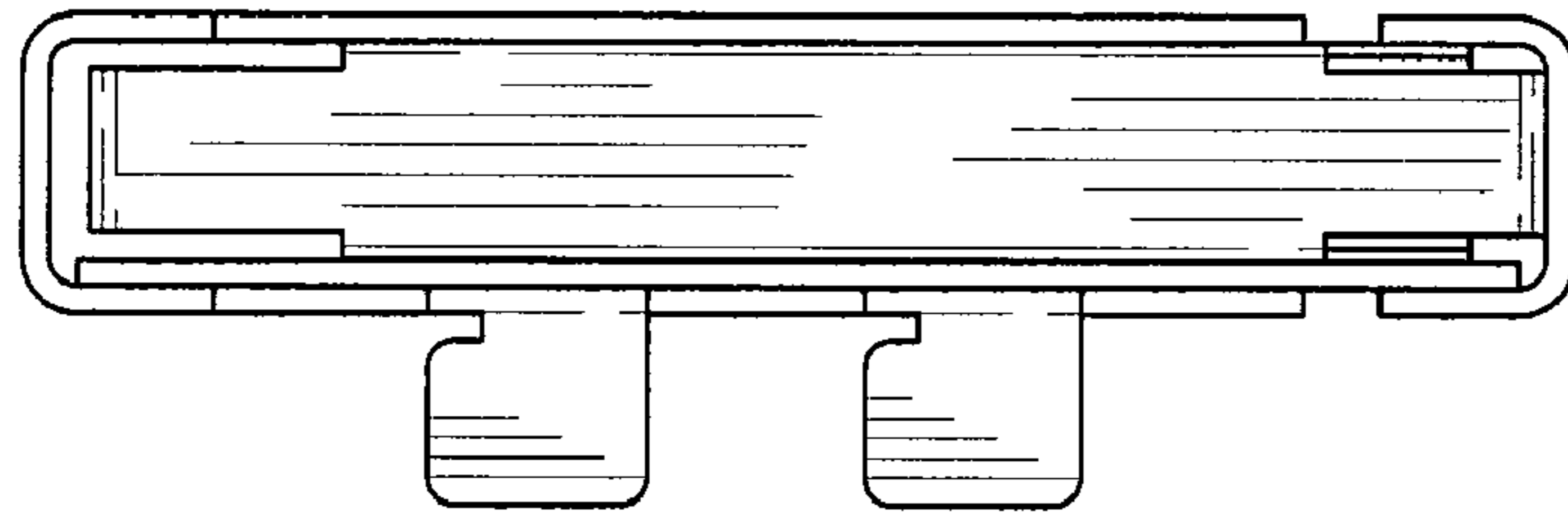


FIG. 6

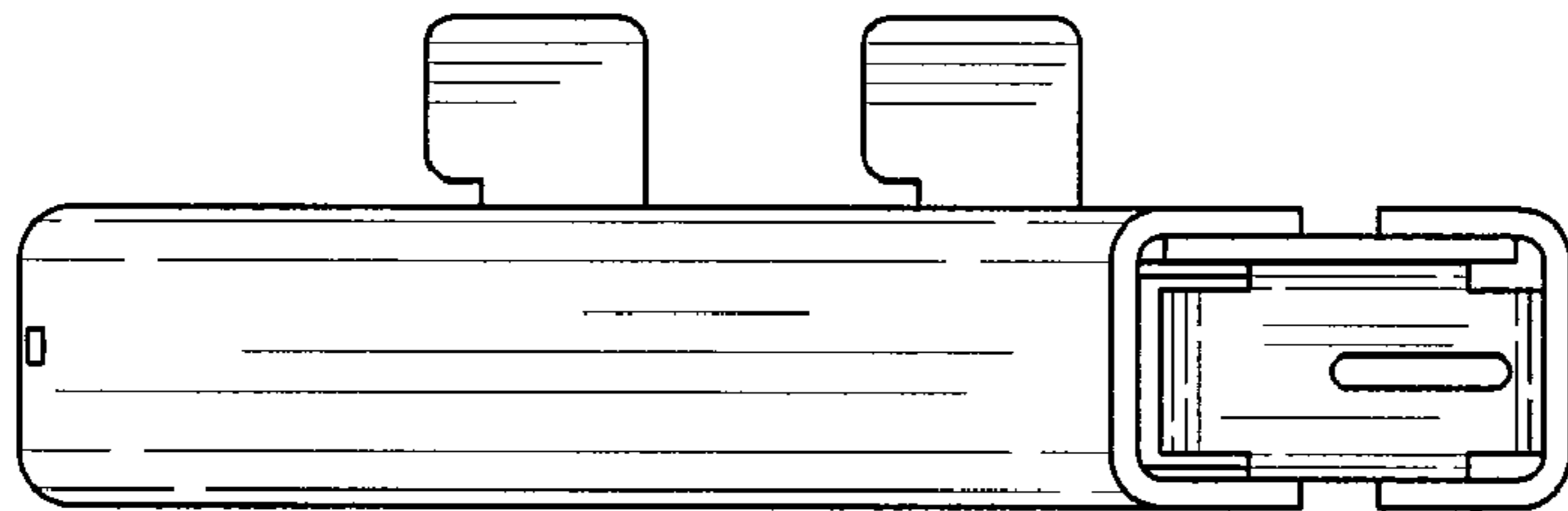


FIG. 5

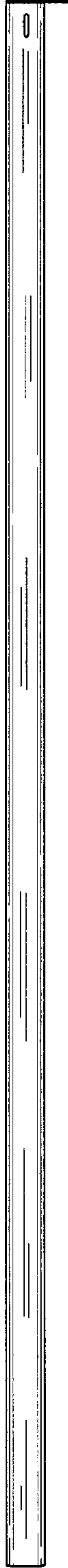


FIG. 7



FIG. 8

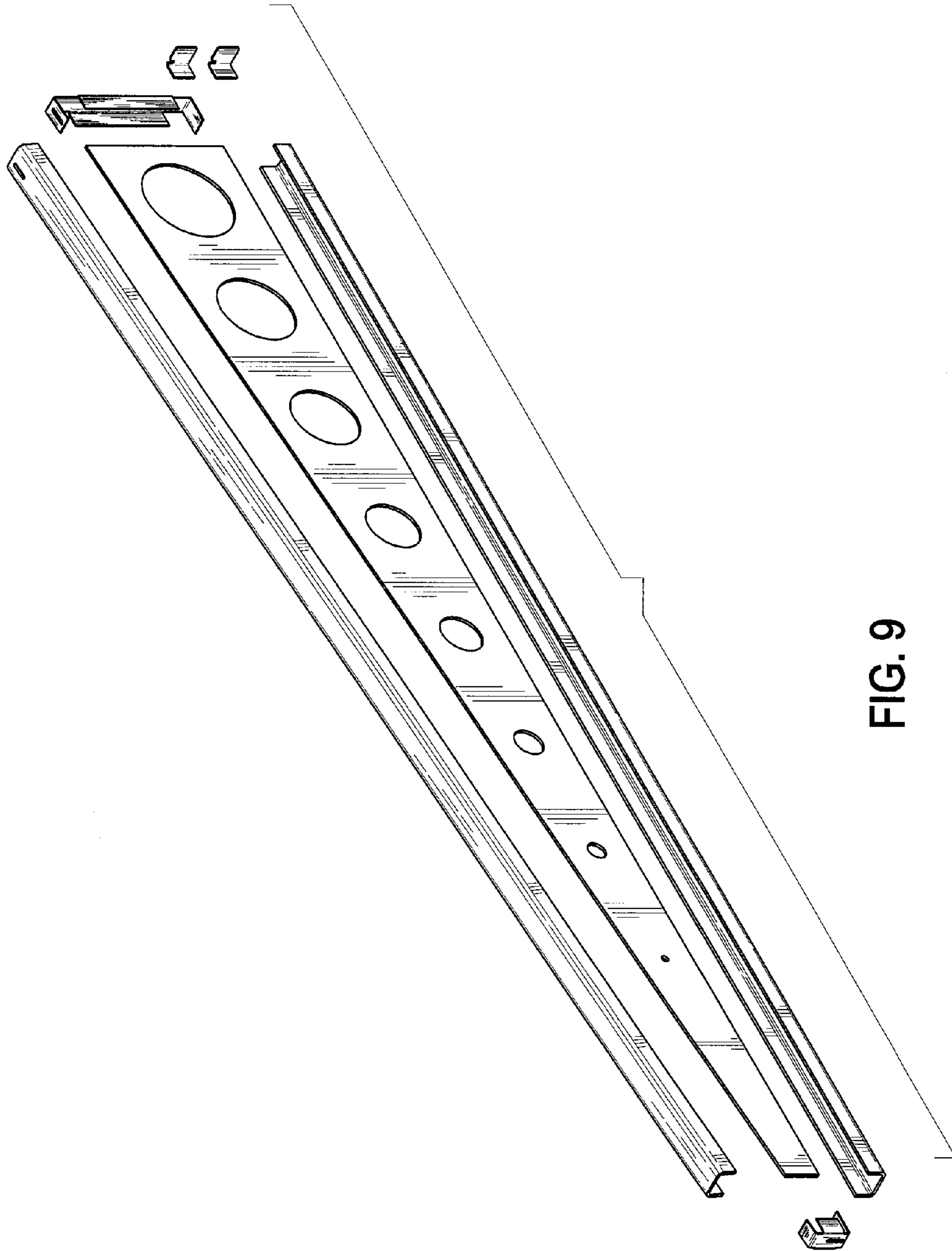


FIG. 9