



US00D674506S

(12) **United States Design Patent**  
**LaBrasca**

(10) **Patent No.:** **US D674,506 S**

(45) **Date of Patent:** **\*\* Jan. 15, 2013**

(54) **ULTRASOUND PROBE RACK WITH STABILIZING POCKETS**

(76) Inventor: **Ronn R LaBrasca**, Brookfield, WI (US)

(\*\*) Term: **14 Years**

(21) Appl. No.: **29/348,724**

(22) Filed: **Feb. 2, 2010**

(51) **LOC (9) Cl.** ..... **24-02**

(52) **U.S. Cl.** ..... **D24/227**

(58) **Field of Classification Search** ..... D24/183–186,  
D24/128, 176–177, 227–230, 232, 158, 222;  
D8/356; 128/922, 660.01, 660.02, 660.03,  
128/660.07, 653; 248/56, 918; D6/476,  
D6/574; D20/10

See application file for complete search history.

D591,982 S *	5/2009	Belokin	.....	D6/476
D601,247 S *	9/2009	Hardin	.....	D24/128
D609,349 S *	2/2010	Pelissier et al.	.....	D24/186
D626,239 S *	10/2010	Lia et al.	.....	D24/185
D640,890 S *	7/2011	Belokin et al.	.....	D6/574
D642,279 S *	7/2011	Barker et al.	.....	D24/186
D650,482 S *	12/2011	Kim et al.	.....	D24/158
D653,347 S *	1/2012	Tani et al.	.....	D24/185
D655,410 S *	3/2012	Chu et al.	.....	D24/128
D658,766 S *	5/2012	Otoha et al.	.....	D24/185
D662,208 S *	6/2012	Otoha et al.	.....	D24/185

\* cited by examiner

*Primary Examiner* — T. Chase Nelson

*Assistant Examiner* — Mark Cavanna

(57) **CLAIM**

The ornamental design for ultrasound probe rack with stabilizing pockets, as shown and described.

**DESCRIPTION**

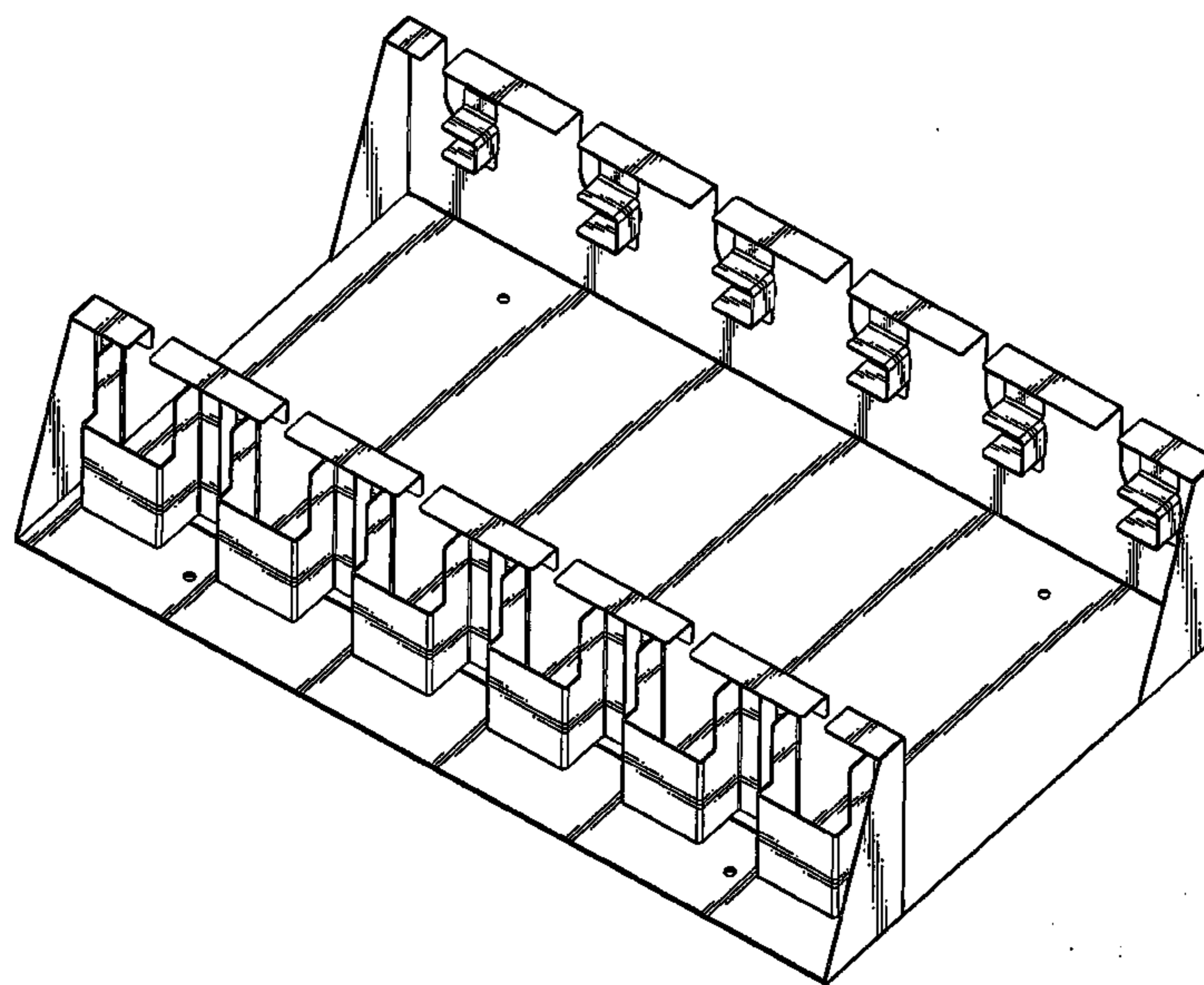
FIG. 1 is a front elevational view of an ultrasound probe rack with stabilizing pockets showing my new design; FIG. 2 is a bottom perspective view thereof looking upward; FIG. 3 is a bottom plan view thereof; FIG. 4 is a top plan view thereof; FIG. 5 is a side elevational view thereof; FIG. 6 is a perspective top enlarged view of the lower pocket element, which are all the same size, shown separately for clarity of illustration; FIG. 7 is a side elevational view thereof; FIG. 8 is a top plan view thereof; FIG. 9 is a front elevational view thereof; FIG. 10 is a perspective top enlarged view of the upper pocket element, which are all the same size, shown separately for clarity of illustration; FIG. 11 is a top plan view thereof; and, FIG. 12 is a side elevational view thereof.

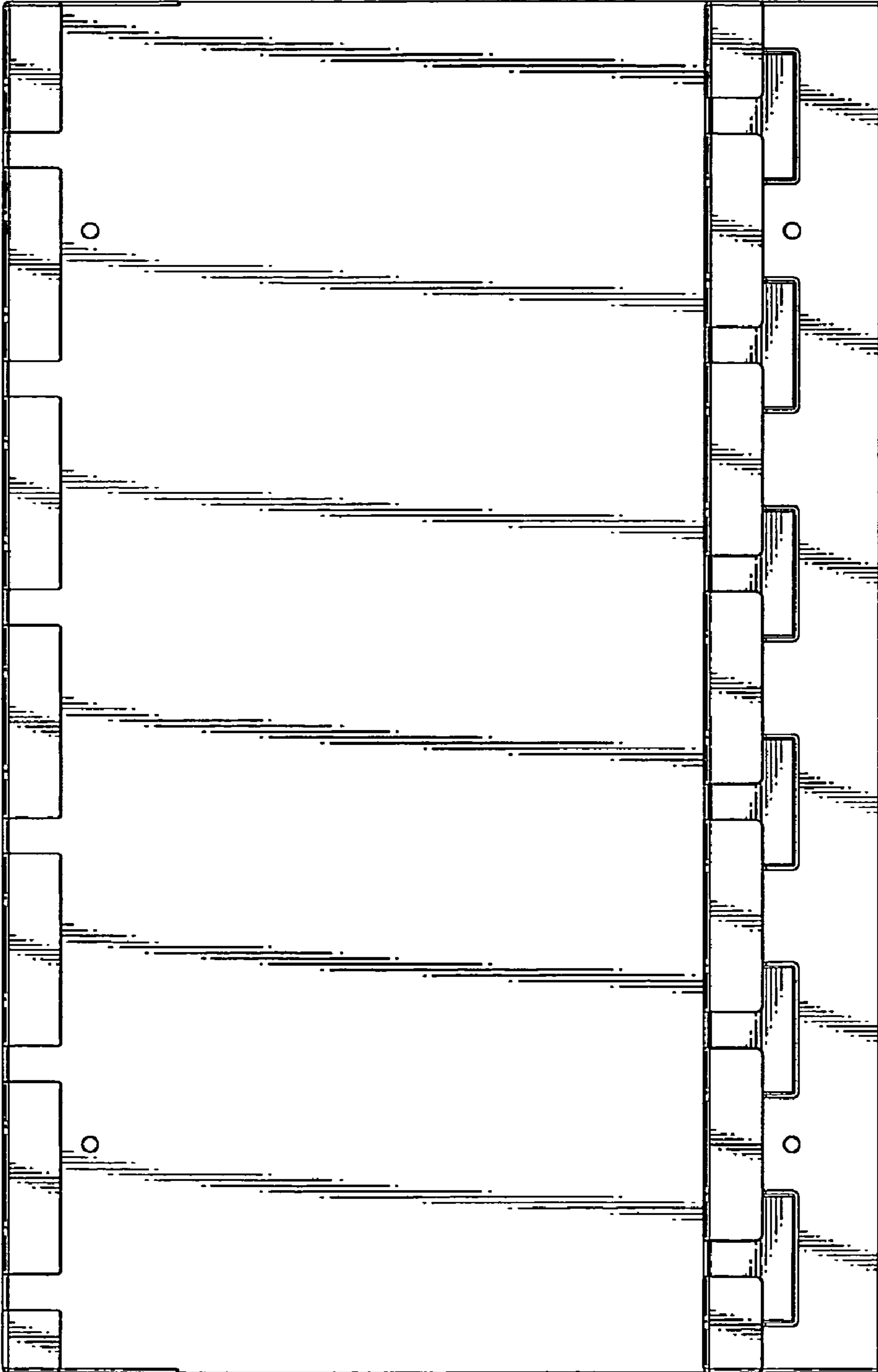
(56) **References Cited**

**U.S. PATENT DOCUMENTS**

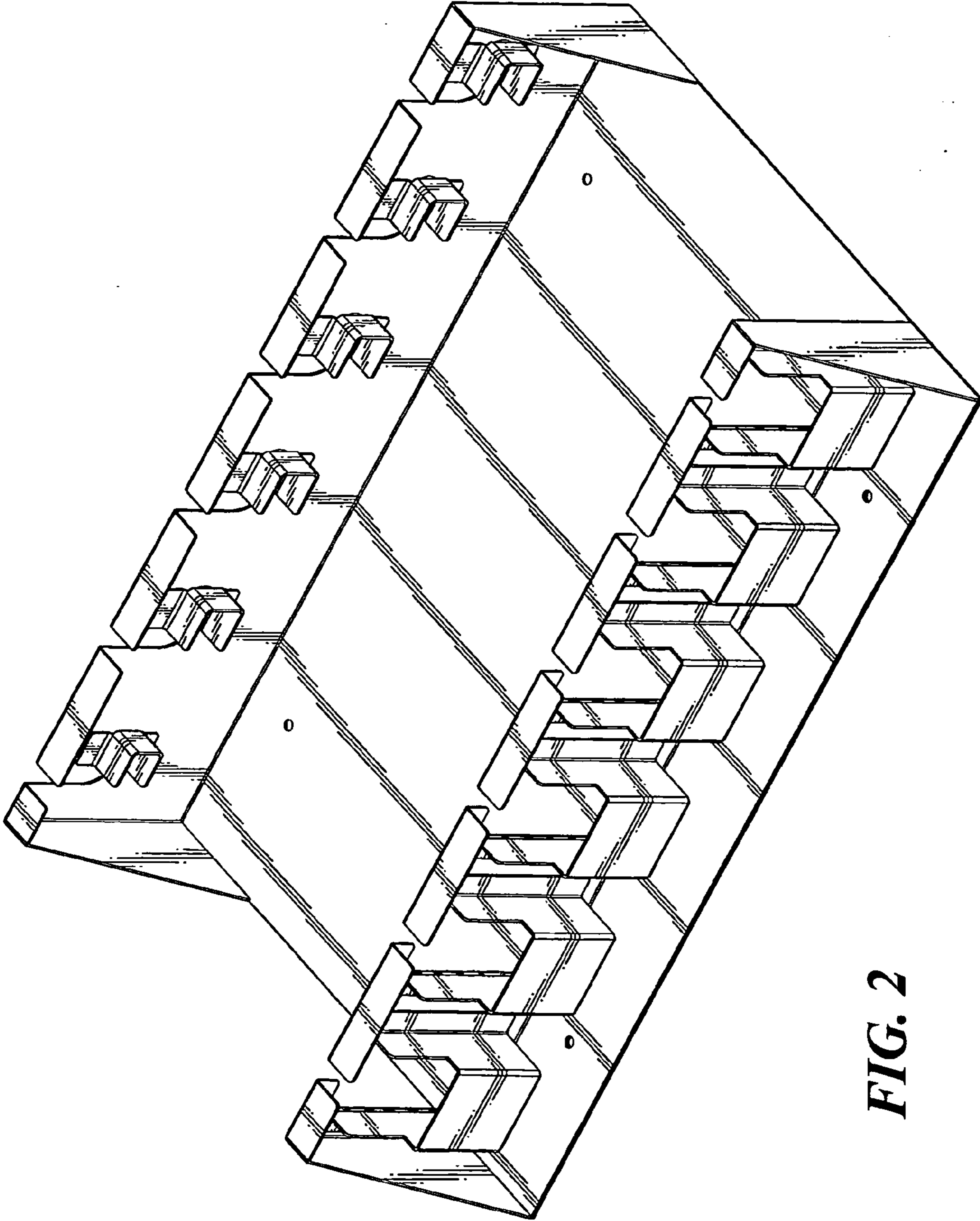
D267,744 S *	1/1983	Flynn	.....	D24/229
D298,169 S *	10/1988	Collister et al.	.....	D24/227
D322,989 S *	1/1992	Wood	.....	D6/476
D324,735 S *	3/1992	Collister et al.	.....	D24/222
D354,136 S *	1/1995	Phelps et al.	.....	D24/177
D361,620 S *	8/1995	Phleps et al.	.....	D24/177
D375,450 S *	11/1996	Bidwell et al.	.....	D8/356
D378,416 S *	3/1997	LaPlante et al.	.....	D24/177
D383,968 S *	9/1997	Bidwell et al.	.....	D8/356
D391,838 S *	3/1998	Bidwell et al.	.....	D8/356
D394,775 S *	6/1998	Anderson et al.	.....	D6/574
D415,570 S *	10/1999	Bradshaw et al.	.....	D24/224
D424,692 S *	5/2000	Monaghan et al.	.....	D24/128
D434,080 S *	11/2000	Belokin et al.	.....	D20/10
D458,379 S *	6/2002	Brockway et al.	.....	D24/177
D516,359 S *	3/2006	Belokin et al.	.....	D6/574
D544,609 S *	6/2007	Bluon	.....	D24/222
D547,863 S *	7/2007	Heinsch	.....	D24/128
D554,264 S *	10/2007	Watson et al.	.....	D24/186
D560,807 S *	1/2008	Kitayama et al.	.....	D24/158
D571,011 S *	6/2008	Otoha et al.	.....	D24/158

**1 Claim, 12 Drawing Sheets**

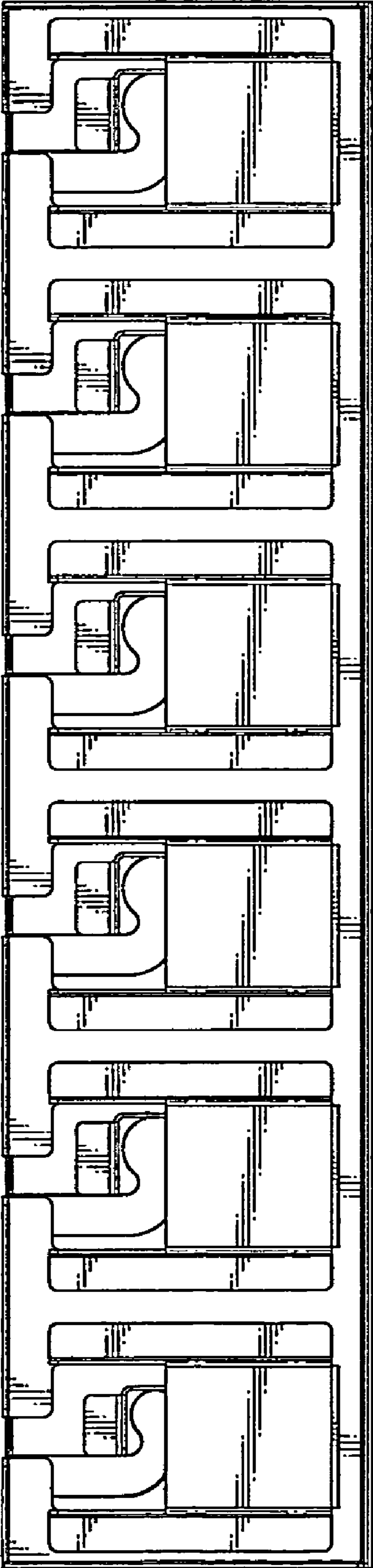




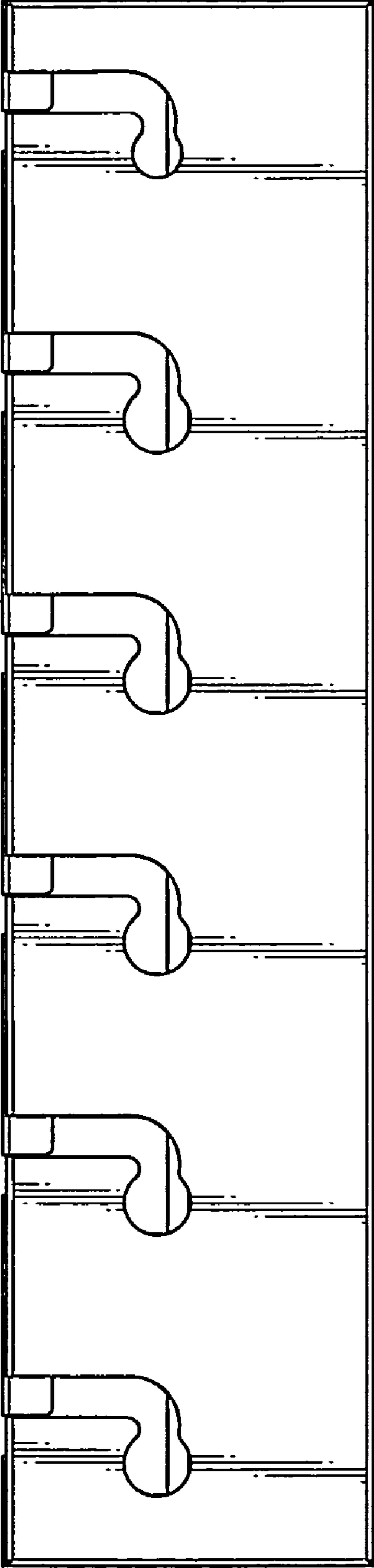
**FIG. 1**



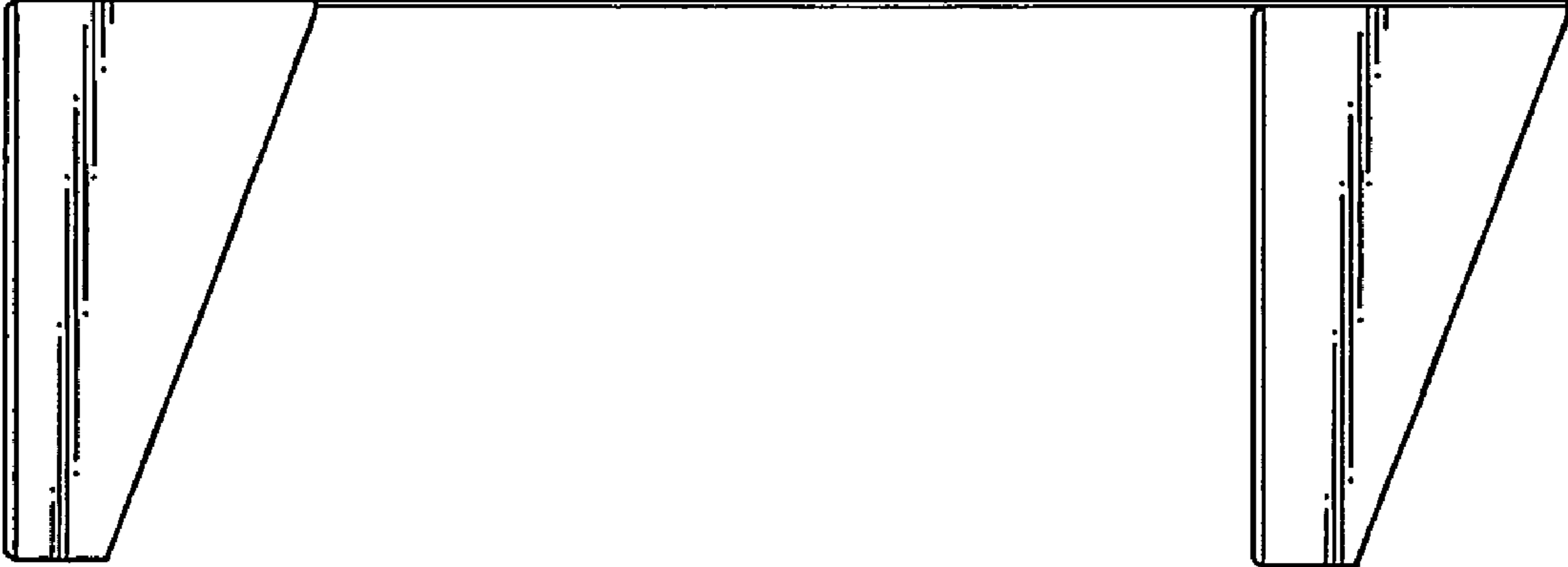
**FIG. 2**



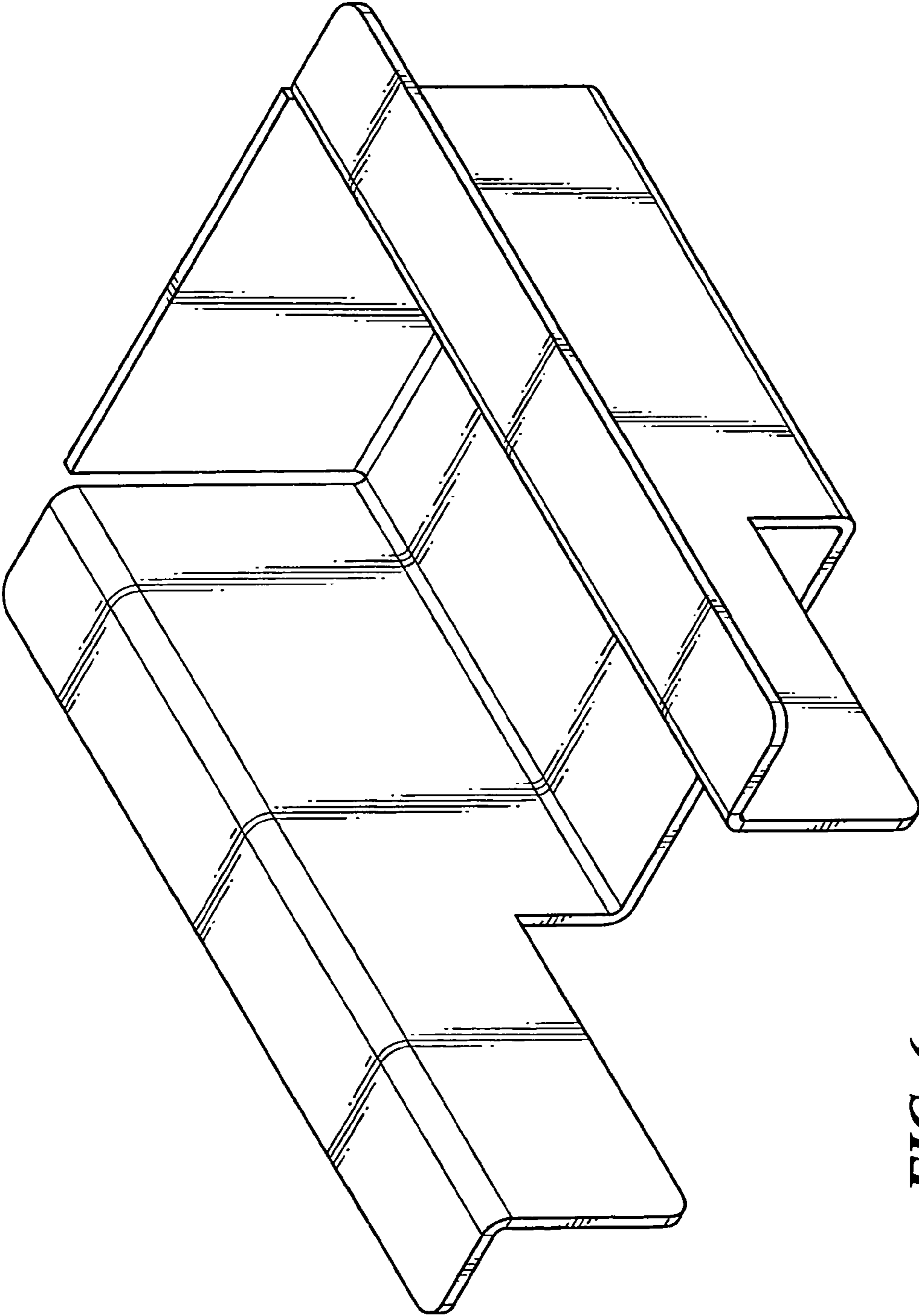
**FIG. 3**



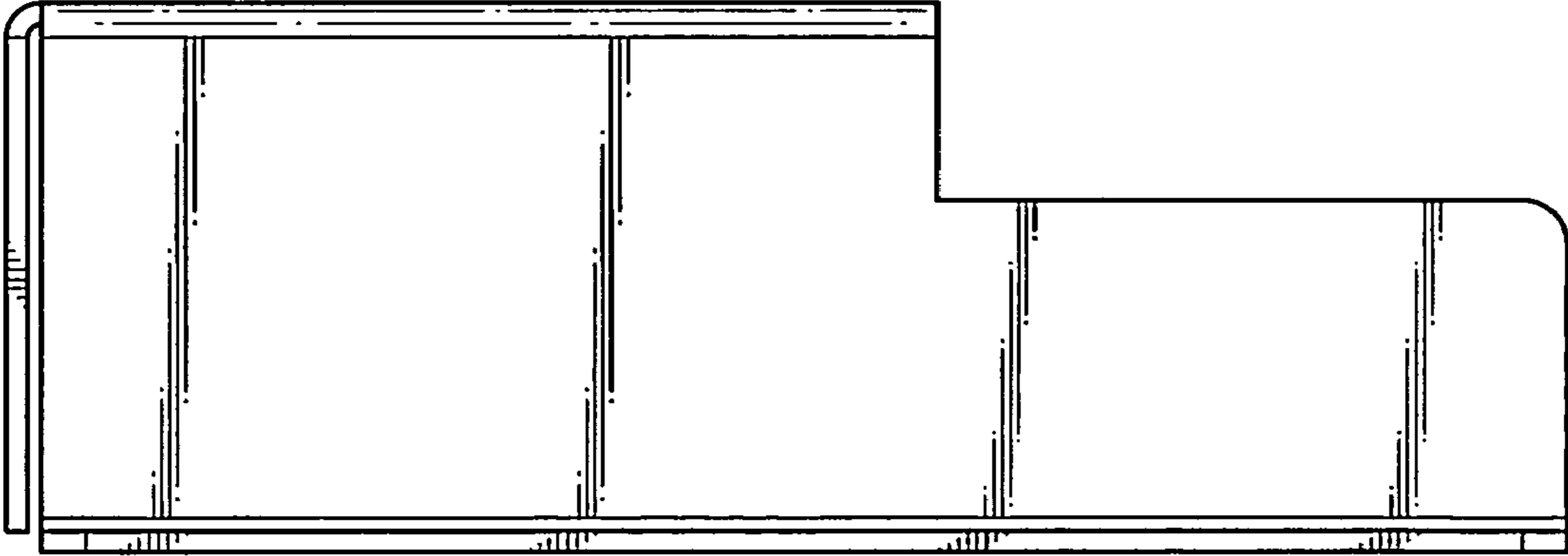
**FIG. 4**



**FIG. 5**

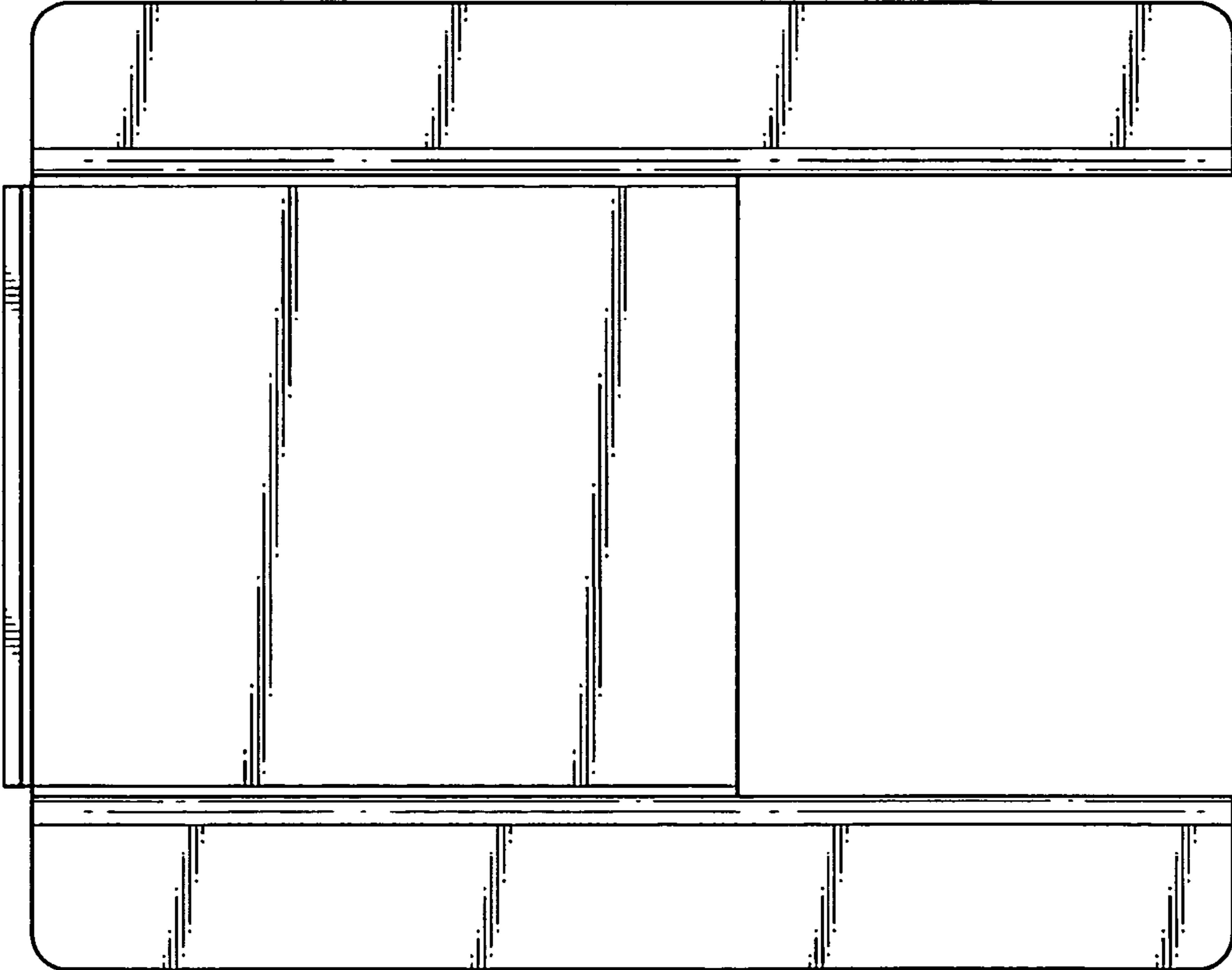


**FIG. 6**

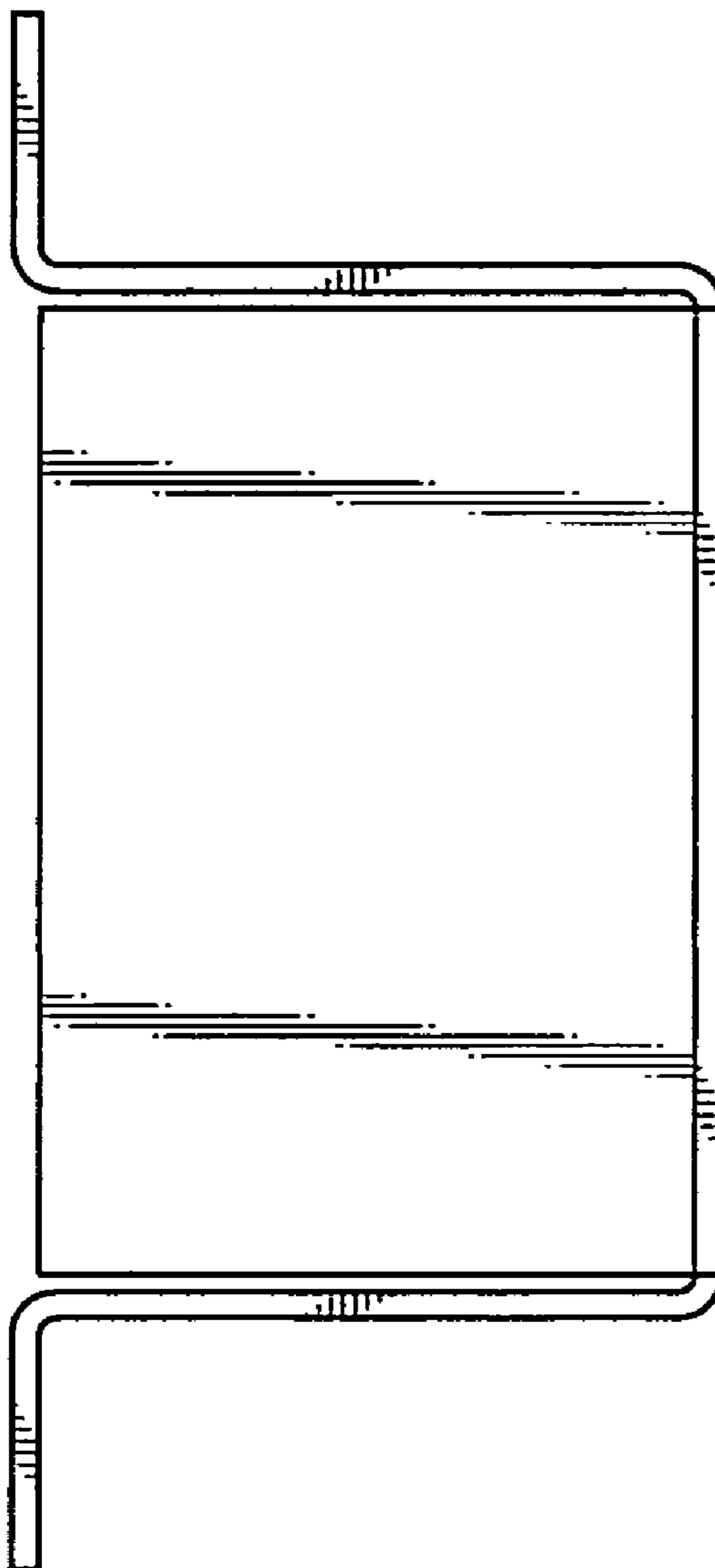


**FIG. 7**

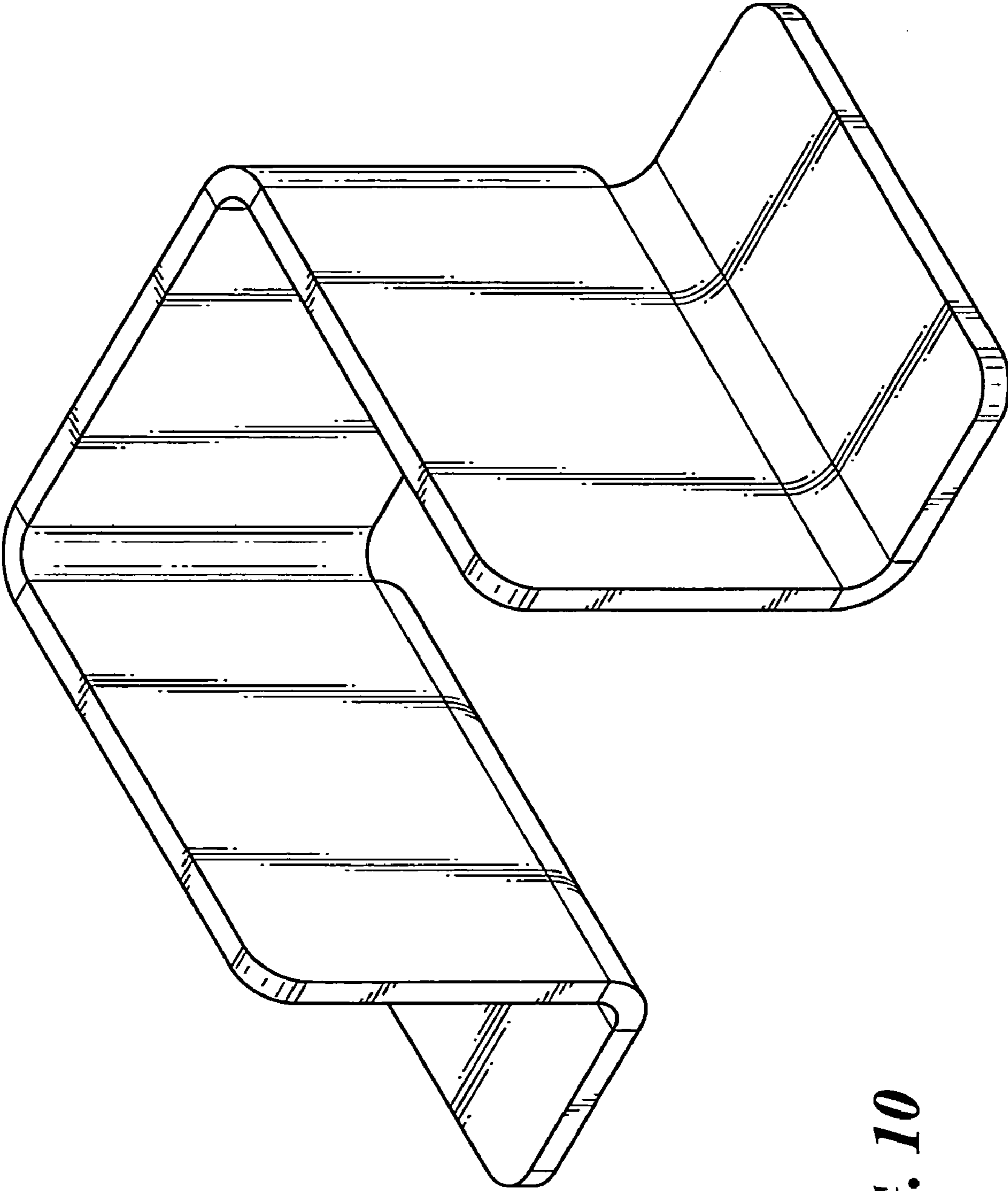




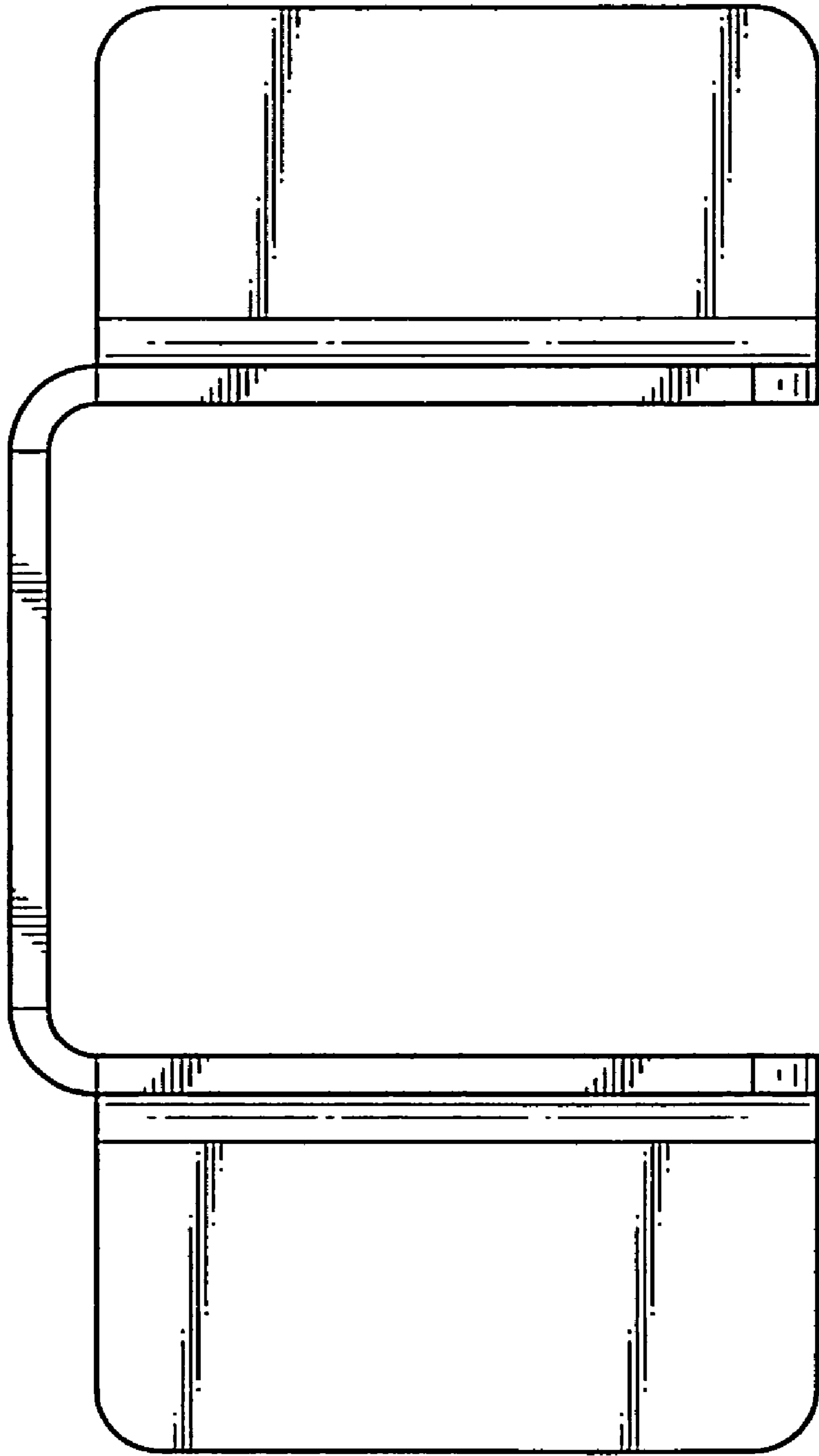
**FIG. 8**



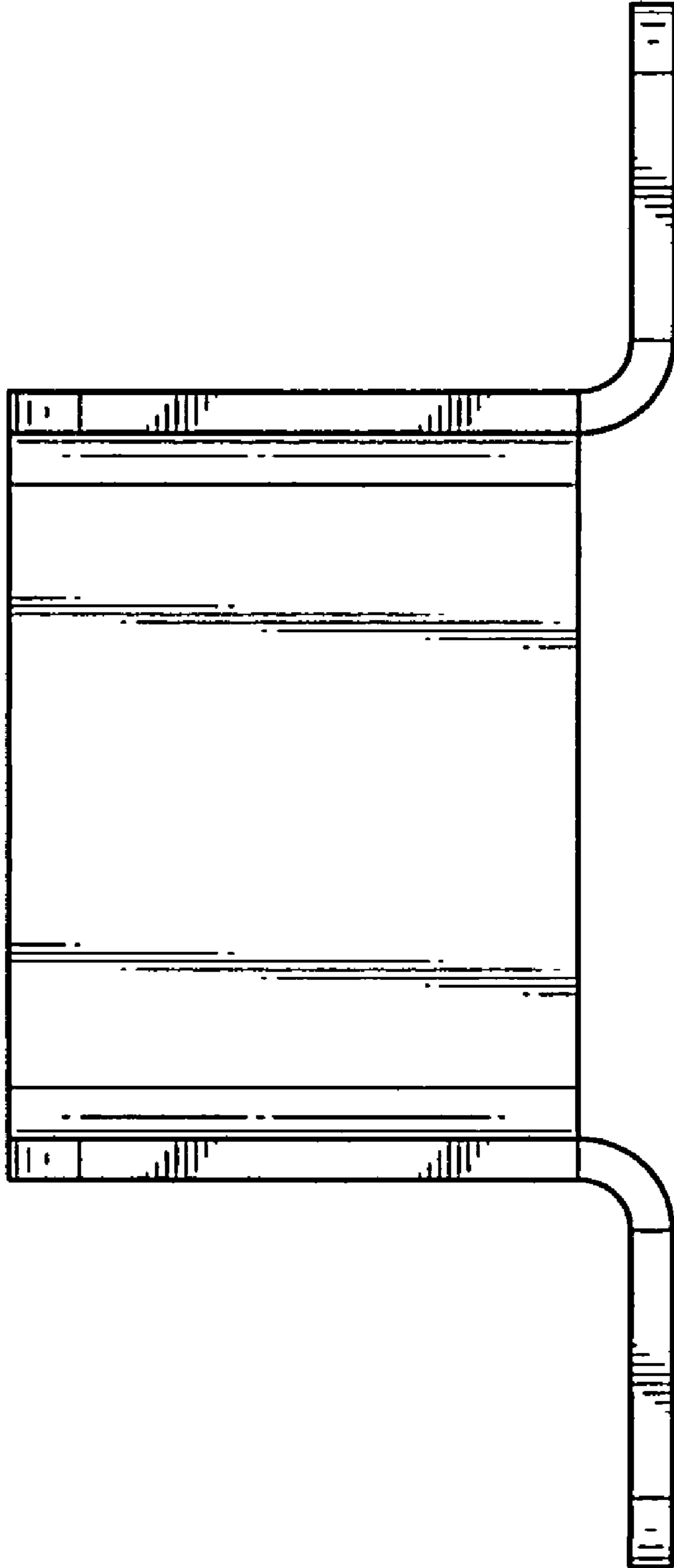
**FIG. 9**



**FIG. 10**



**FIG. 11**



**FIG. 12**