



US00D674505S

(12) **United States Design Patent**  
**Cecchi**

(10) **Patent No.:** **US D674,505 S**  
(45) **Date of Patent:** **\*\* Jan. 15, 2013**

- (54) **SPECIMEN CULTURING DISH**
- (75) Inventor: **Michael D. Cecchi**, Madison, CT (US)
- (73) Assignee: **Genx International, Inc.**, Guilford, CT (US)
- (\*\*) Term: **14 Years**
- (21) Appl. No.: **29/395,674**
- (22) Filed: **Mar. 12, 2012**
- (51) **LOC (9) Cl.** ..... **24-01**
- (52) **U.S. Cl.** ..... **D24/224**
- (58) **Field of Classification Search** ..... D24/216–217, D24/219, 223–226, 227, 229–231, 232, 107, D24/121–123; D10/81; 422/547–554, 556, 422/558, 559, 500; 435/288.3, 305.1  
See application file for complete search history.

- 5,348,885 A \* 9/1994 Labarthe ..... 435/305.4
- D378,941 S \* 4/1997 Lahm et al. .... D24/224
- 7,452,711 B2 \* 11/2008 Daykin ..... 435/288.3
- 8,143,053 B2 \* 3/2012 Yerbic ..... 435/305.3

\* cited by examiner

*Primary Examiner* — Anhdao Doan

(74) *Attorney, Agent, or Firm* — William W. Jones

(57) **CLAIM**

I claim the ornamental design for a specimen culturing dish, as shown and described.

**DESCRIPTION**

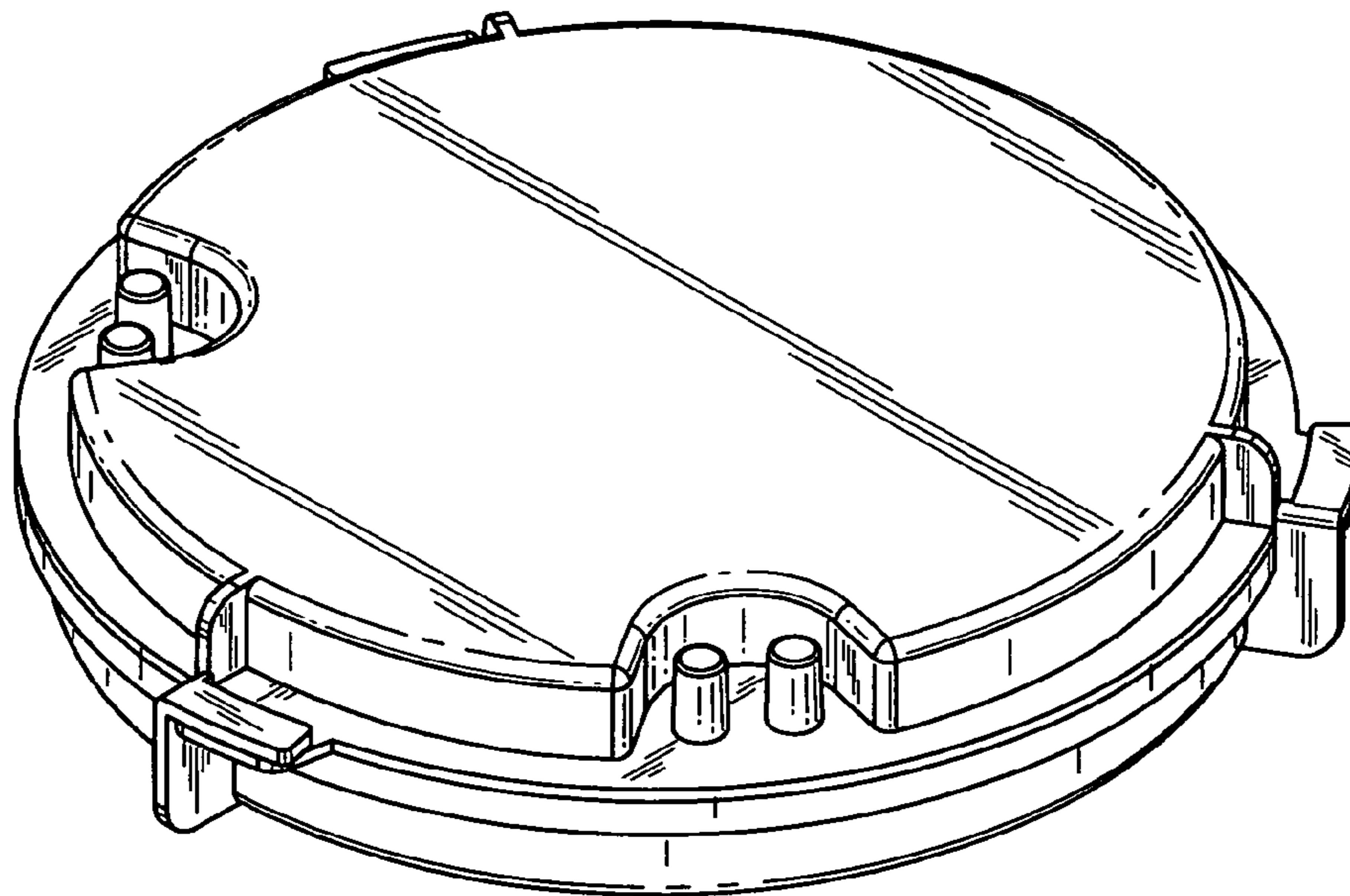
FIG. 1 is a perspective view of the top of the dish;  
 FIG. 2 is a perspective view of the bottom of the dish;  
 FIG. 3 is a first side view of the dish;  
 FIG. 4 is a second side view of the dish taken from the opposite side of FIG. 3;  
 FIG. 5 is a third side view of the dish;  
 FIG. 6 is a fourth side view of the dish taken from the opposite side of FIG. 5;  
 FIG. 7 is a top plan view of the dish; and,  
 FIG. 8 is a bottom plan view of the dish.

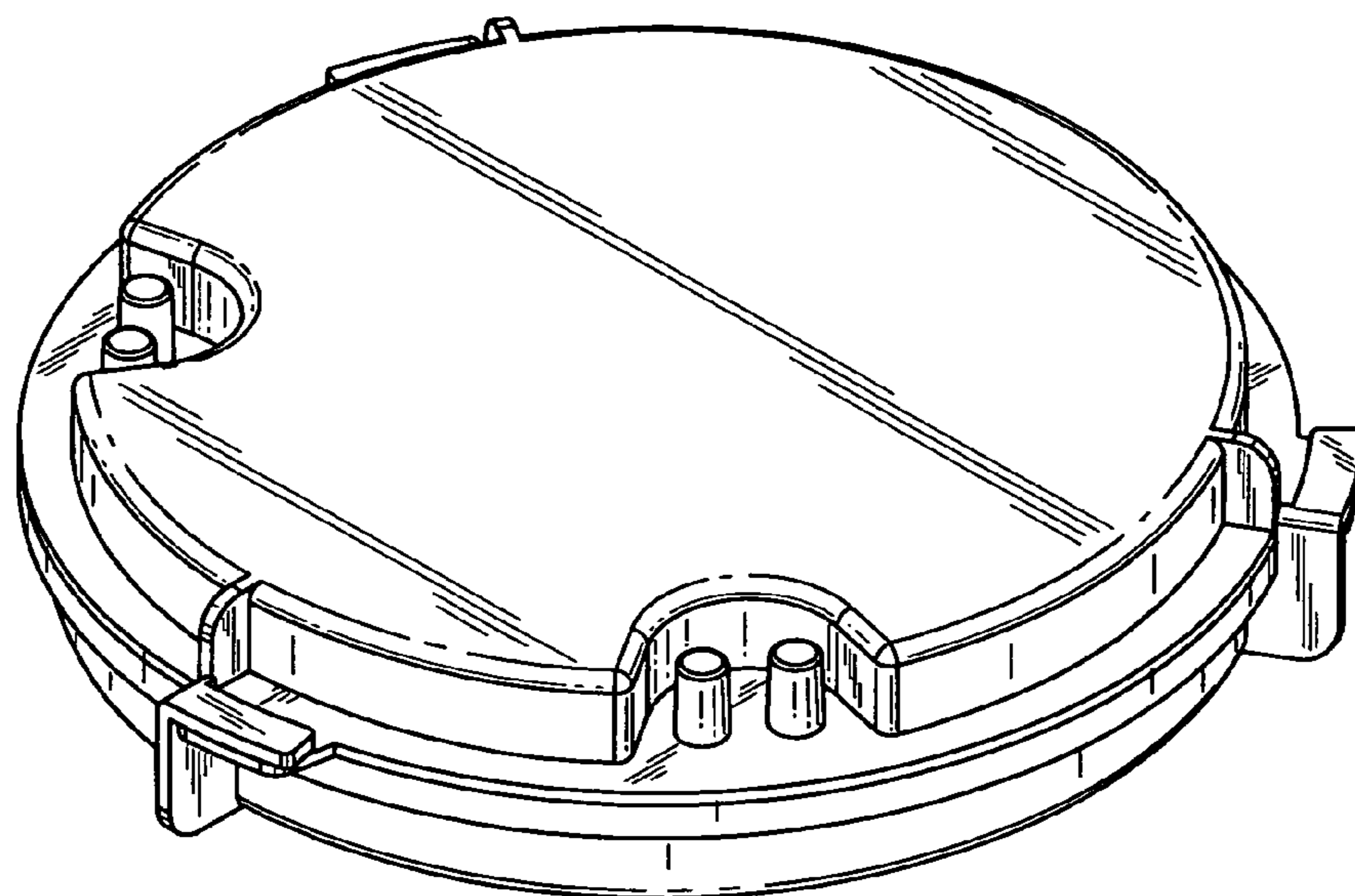
(56) **References Cited**

U.S. PATENT DOCUMENTS

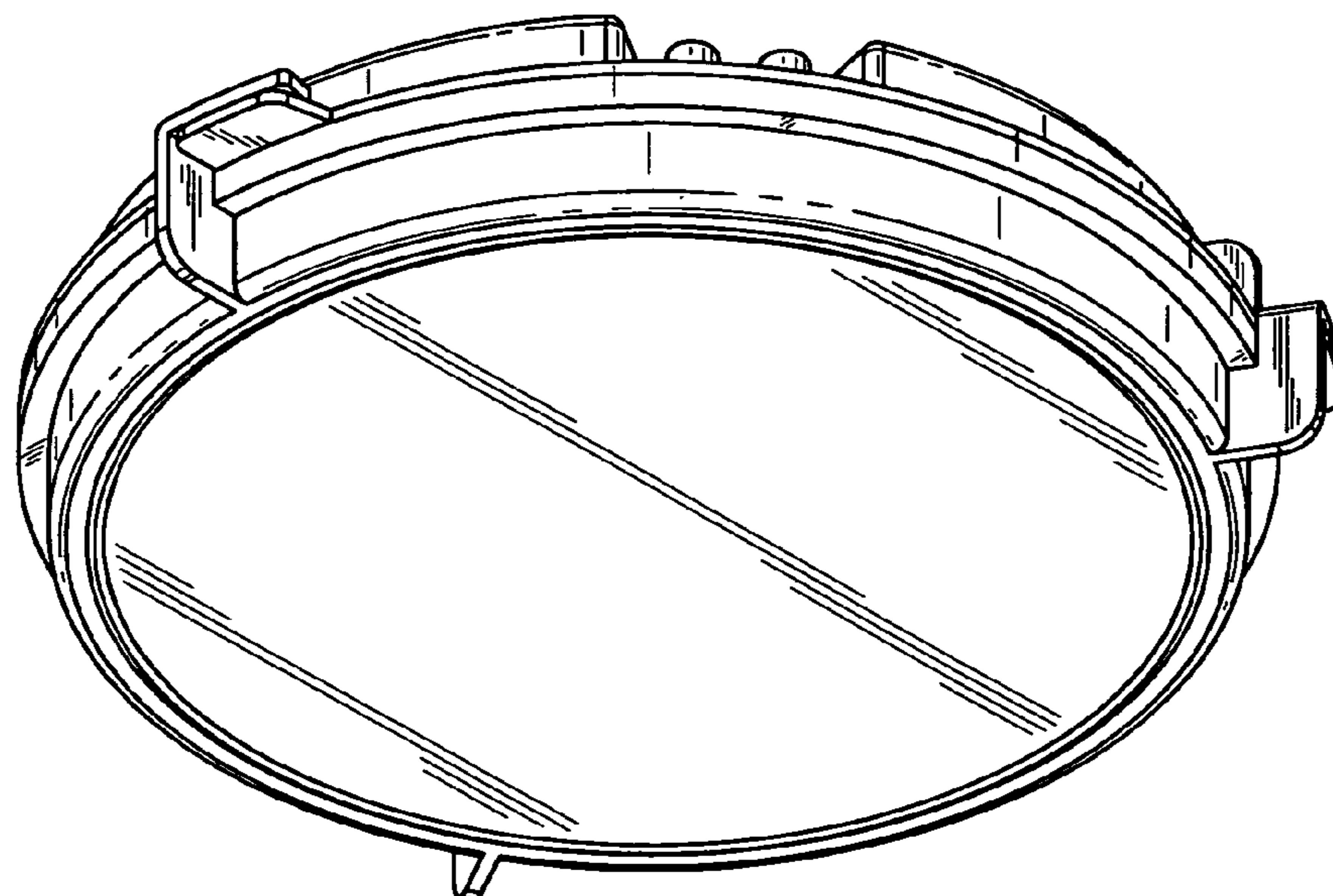
- D238,886 S \* 2/1976 Goy ..... D24/224
- D295,319 S \* 4/1988 Franchere et al. .... D24/224
- D315,208 S \* 3/1991 Valencia ..... D24/224

**1 Claim, 4 Drawing Sheets**

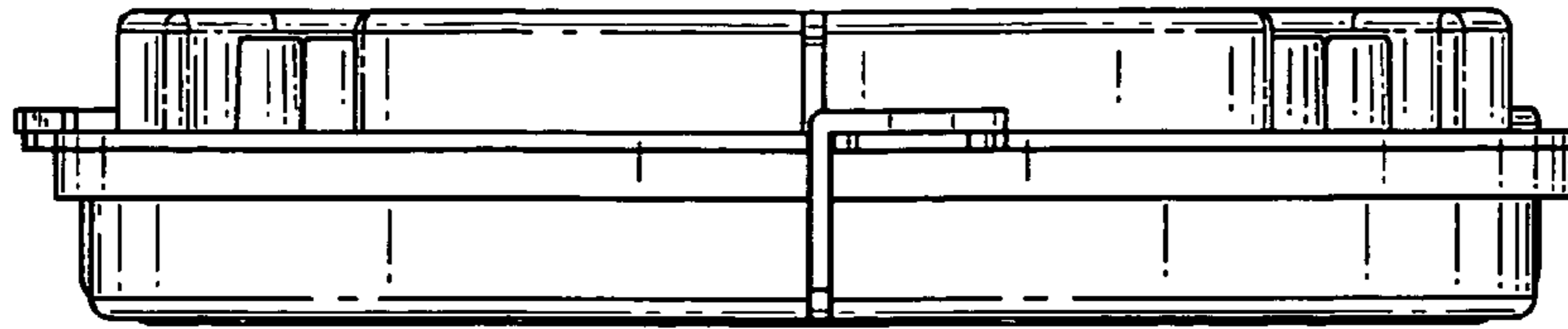




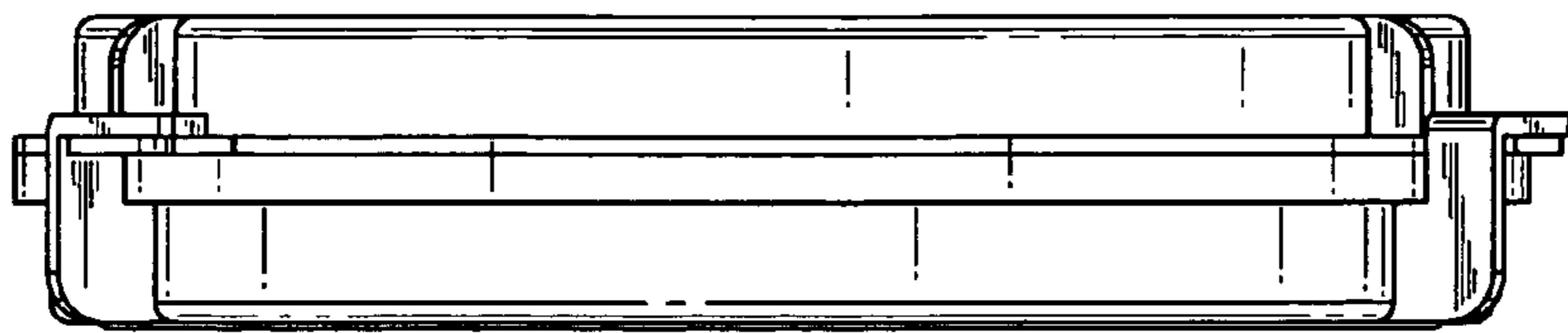
*FIG. 1*



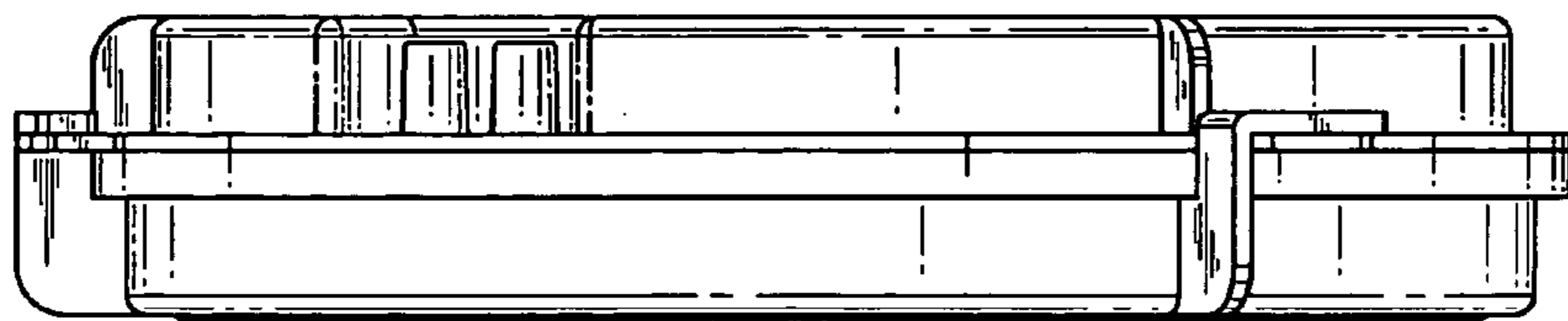
*FIG. 2*



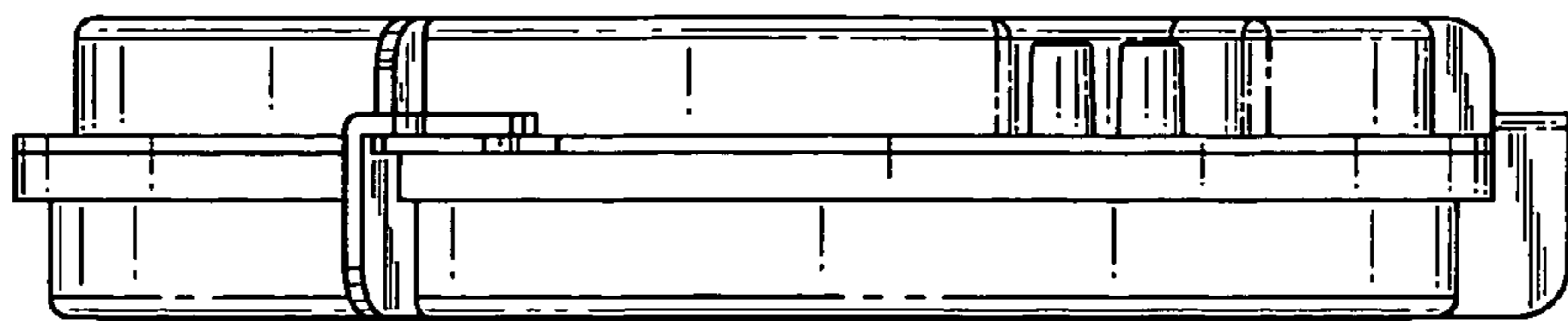
*FIG. 3*



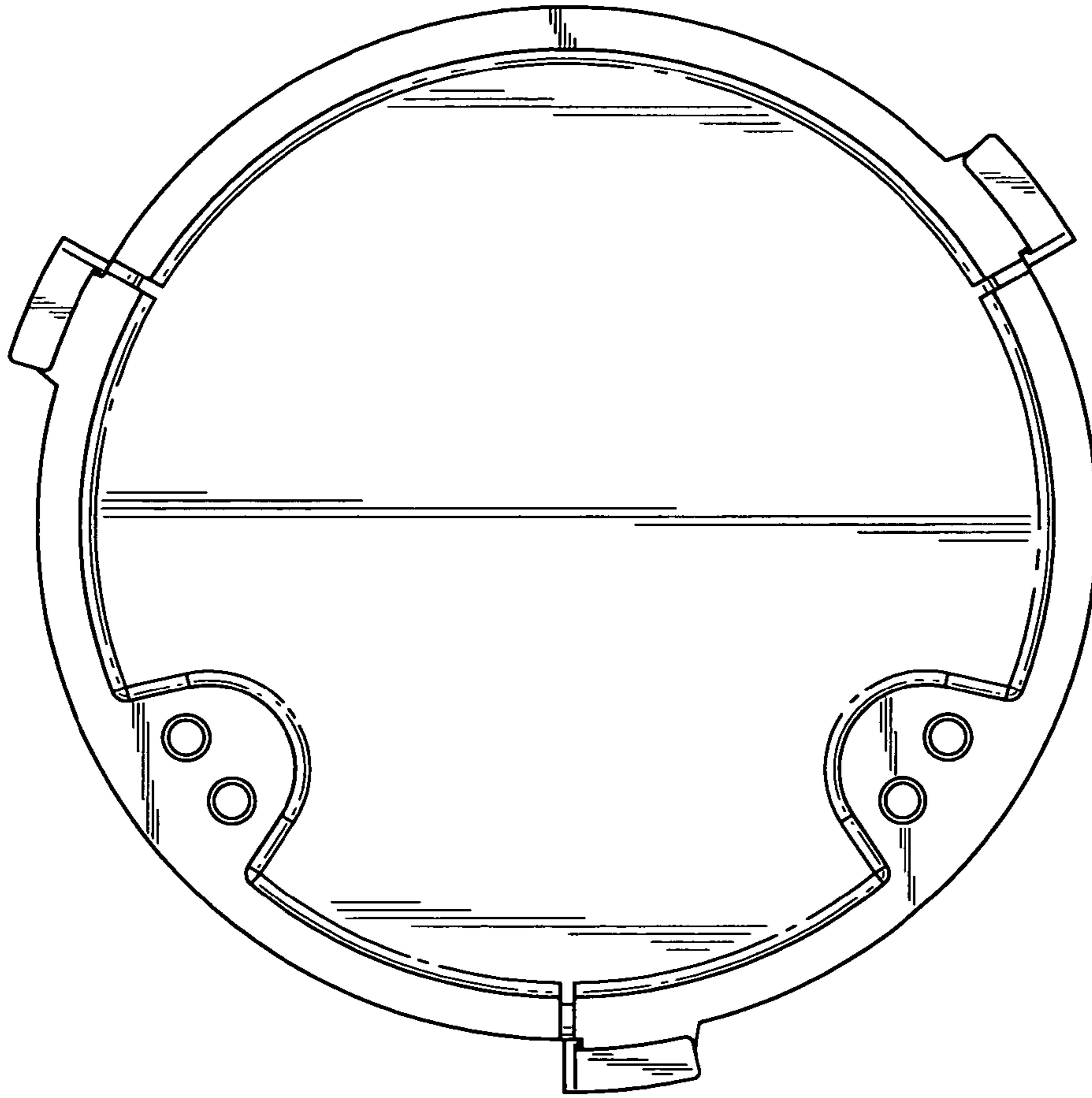
*FIG. 4*



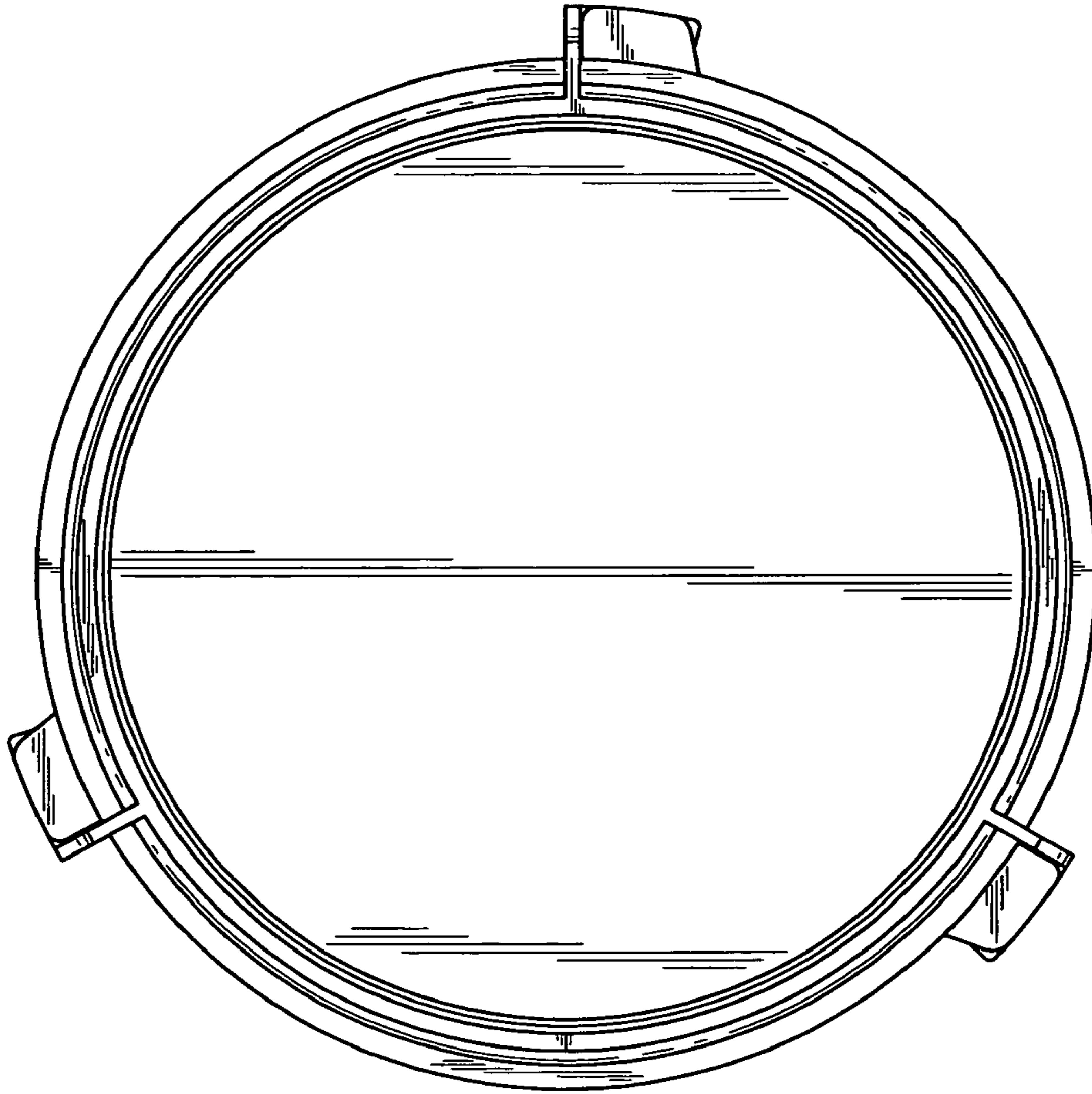
*FIG. 5*



*FIG. 6*



*FIG. 7*



*FIG. 8*