

US00D674504S

(12) **United States Design Patent**
Schenk

(10) **Patent No.:** **US D674,504 S**
(45) **Date of Patent:** **** Jan. 15, 2013**

(54) **CABINET FOR DIAGNOSTIC INSTRUMENTS
OR UTENSILS FOR MEDICAL OR
LABORATORY APPLICATIONS**

(75) Inventor: **Roland Schenk**, Kirchheim (DE)

(73) Assignee: **Diasys Technologies s.a.r.l., Pépinière
d'Engerprises Cap Alpha**, Clapiers
(FR)

(**) Term: **14 Years**

(21) Appl. No.: **29/361,079**

(22) Filed: **May 5, 2010**

(30) **Foreign Application Priority Data**

Nov. 6, 2009 (EM) 001633272

(51) **LOC (9) Cl.** **24-01**

(52) **U.S. Cl.** **D24/217**

(58) **Field of Classification Search** D24/216,
D24/217, 231, 232, 234, 163; D6/470, 472,
D6/436; D10/81; 250/455.11; 312/209;
134/200

See application file for complete search history.

(56) **References Cited**

U.S. PATENT DOCUMENTS

D114,950 S * 5/1939 Haynie, Jr. D6/472
2,292,120 A * 8/1942 Hanby 600/22
D235,356 S * 6/1975 Faraco D24/234
D248,567 S * 7/1978 Ward D24/217
D421,653 S * 3/2000 Purcell D24/216
D438,964 S * 3/2001 Gaba et al. D24/131
D474,279 S * 5/2003 Mayer et al. D24/232

D567,389 S * 4/2008 Roepke et al. D24/232
D567,948 S * 4/2008 Tierney et al. D24/163
D571,477 S * 6/2008 Terrill D24/217
D591,864 S * 5/2009 Schmidt D24/216
D603,972 S * 11/2009 Petersen et al. D24/216
D612,948 S * 3/2010 Fleury et al. D24/216
D624,197 S * 9/2010 Rindoks et al. D24/234

FOREIGN PATENT DOCUMENTS

DE EM 000701073-0001 A1 6/2007
DE EM 000701073-0002 A1 6/2007
DE EM 000701073-0003 A1 6/2007

* cited by examiner

Primary Examiner — Anhdao Doan

(74) *Attorney, Agent, or Firm* — Paul & Paul

(57) **CLAIM**

I claim the ornamental design for a cabinet for diagnostic instruments or utensils for medical or laboratory applications, as shown as described.

DESCRIPTION

FIG. 1 is a front, top and right side perspective view of the cabinet of my new design, with the transparent openable top cabinet door in the closed position.

FIG. 2 is a rear, top and left side perspective view thereof.

FIG. 3 is a right side elevational view of the cabinet of FIG. 1; the left side view is a mirror image thereof.

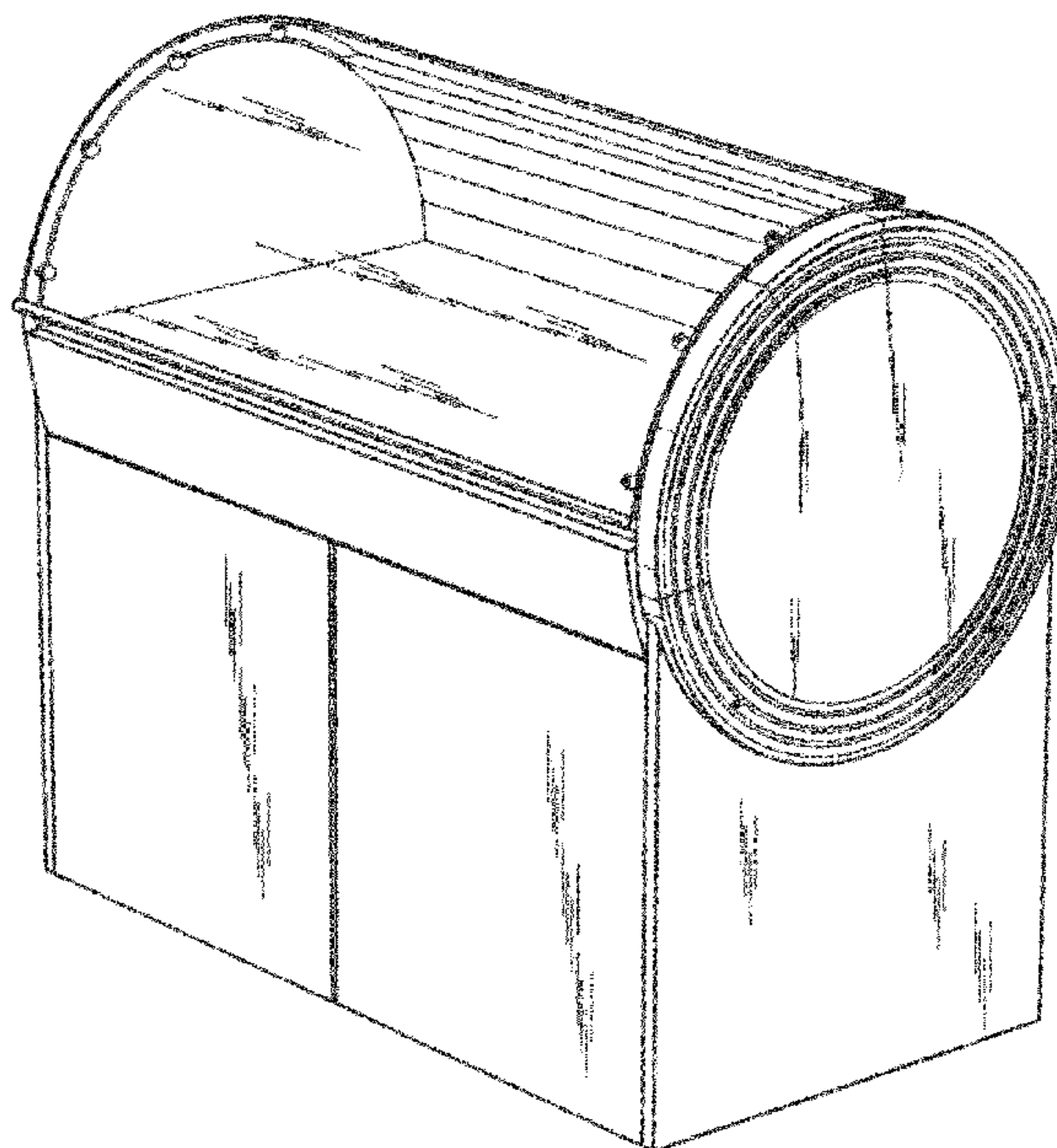
FIG. 4 is a front elevational view of the cabinet of FIG. 1.

FIG. 5 is a rear elevational view of the cabinet of FIG. 1.

FIG. 6 is a top plan view of the cabinet of FIG. 1; and,

FIG. 7 is a front, top and right side perspective view of the cabinet of FIG. 1, with the transparent openable top cabinet door in the open position.

1 Claim, 7 Drawing Sheets



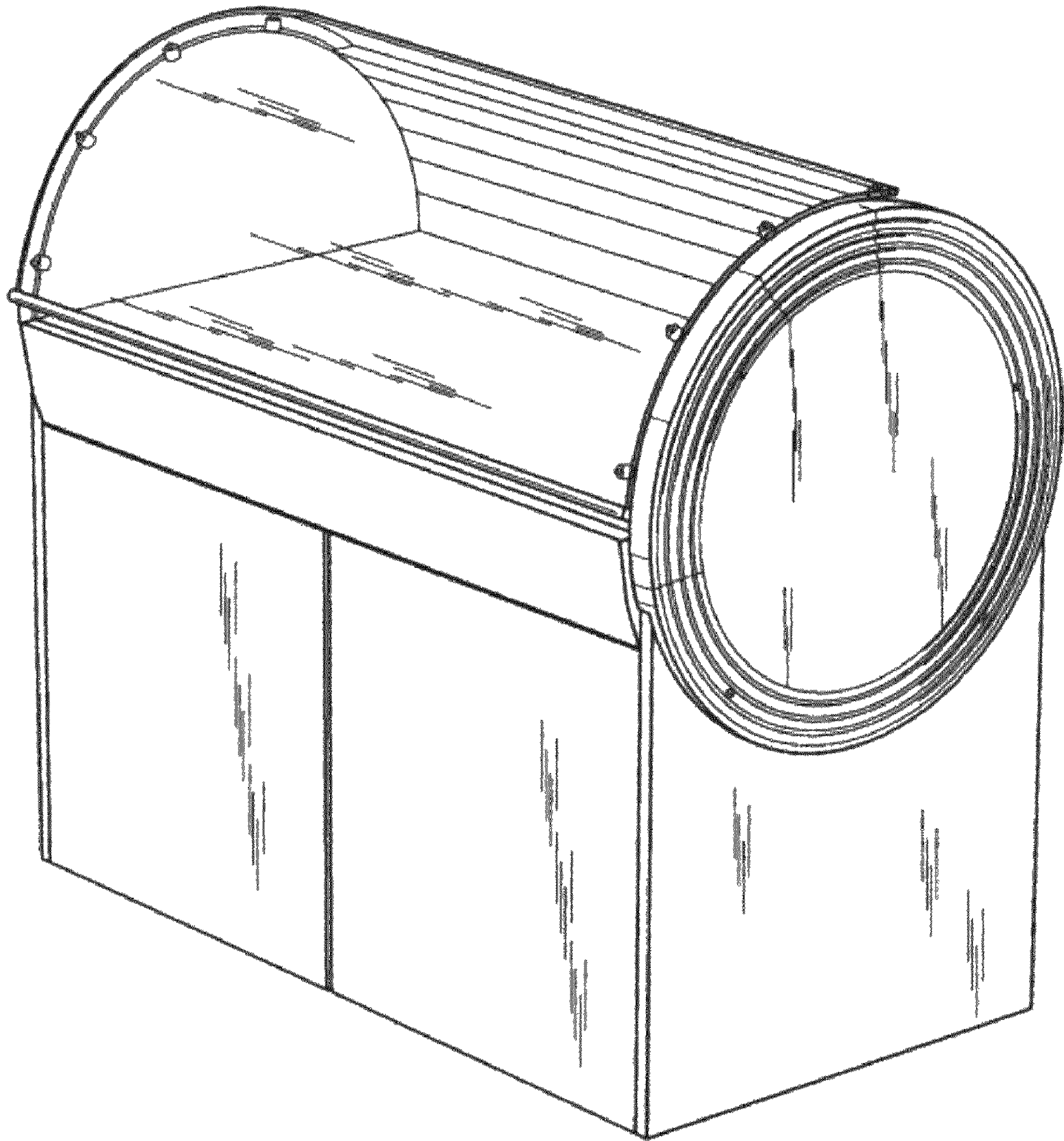


Fig. 1

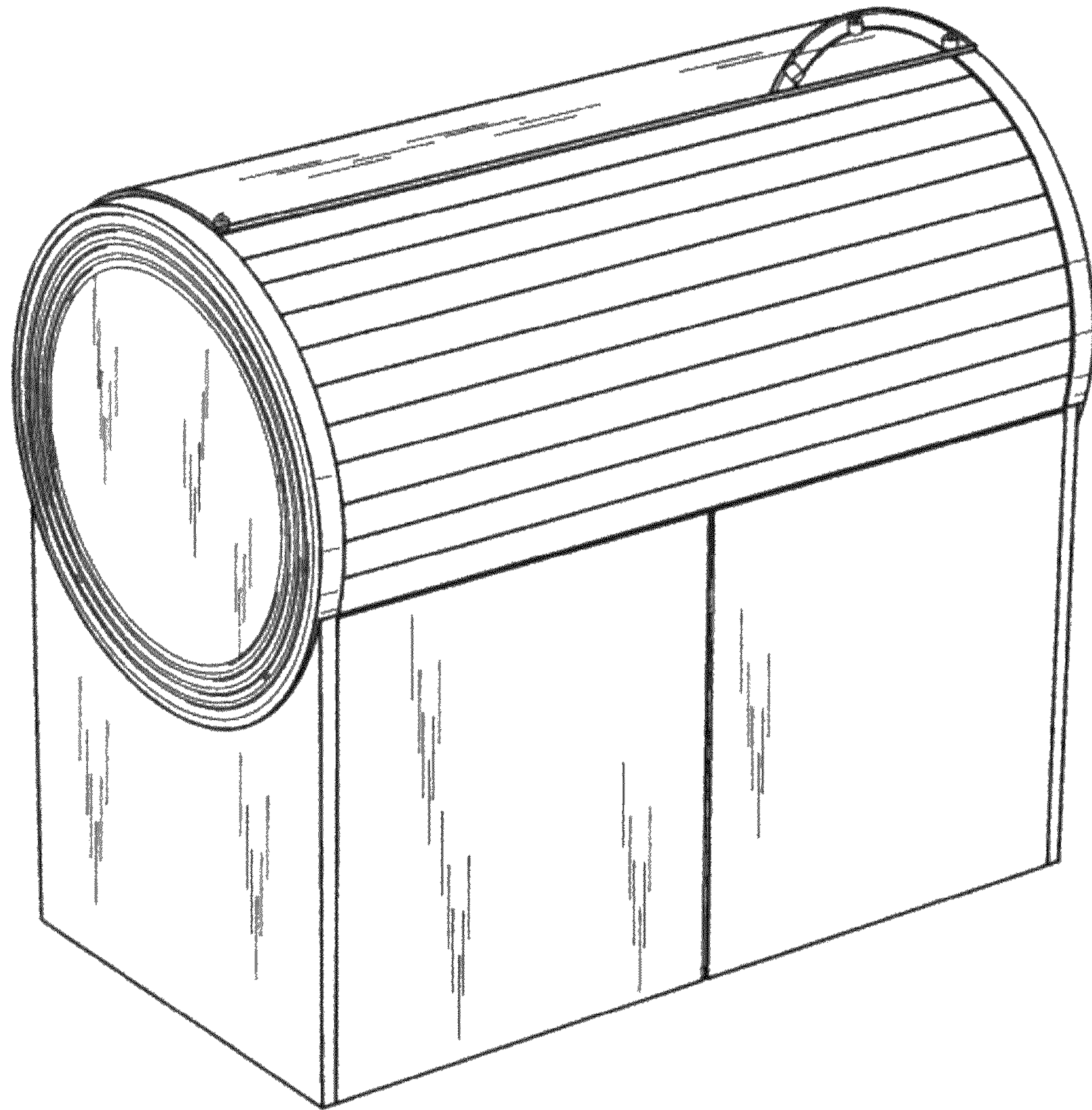


Fig. 2

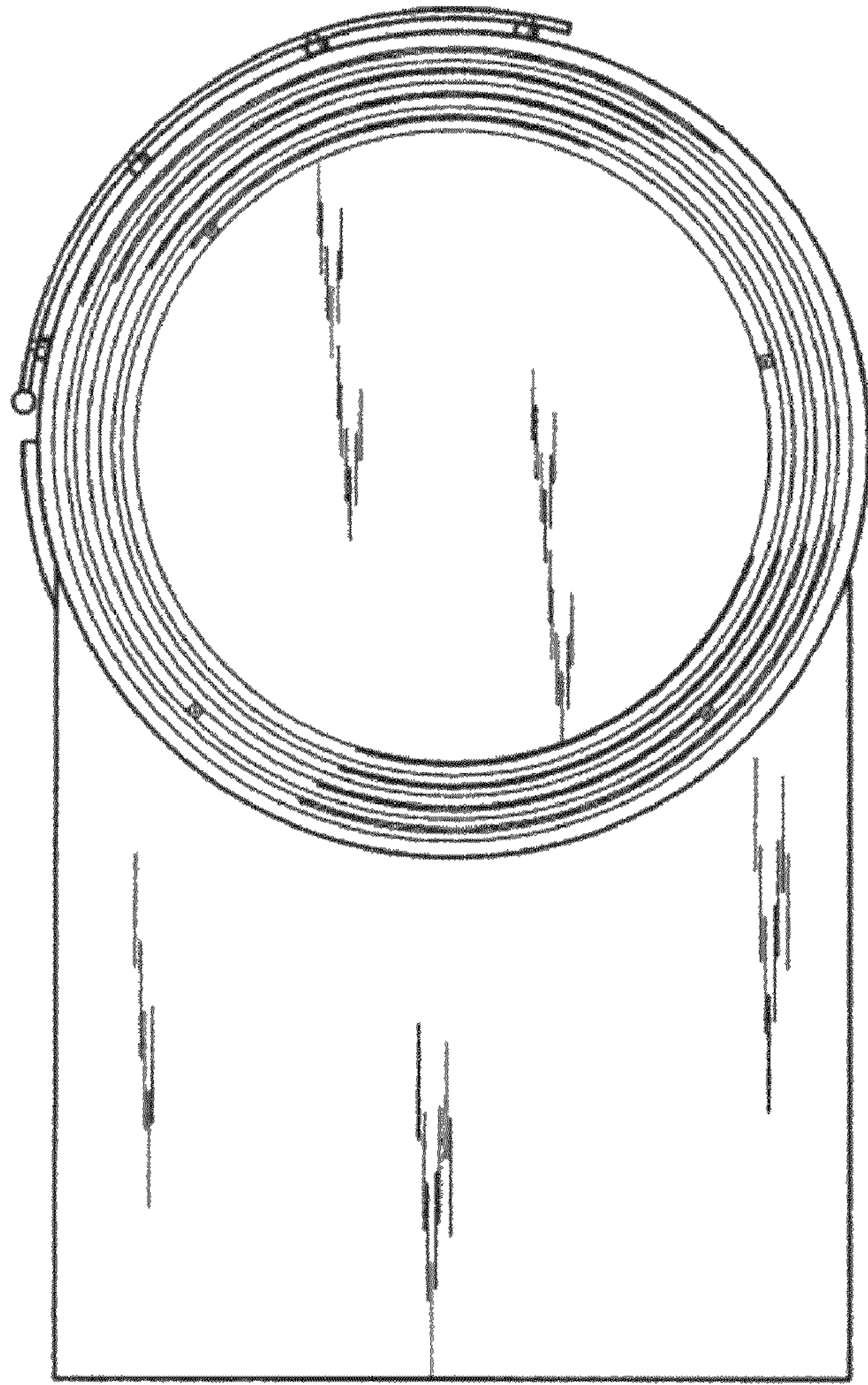


Fig. 3

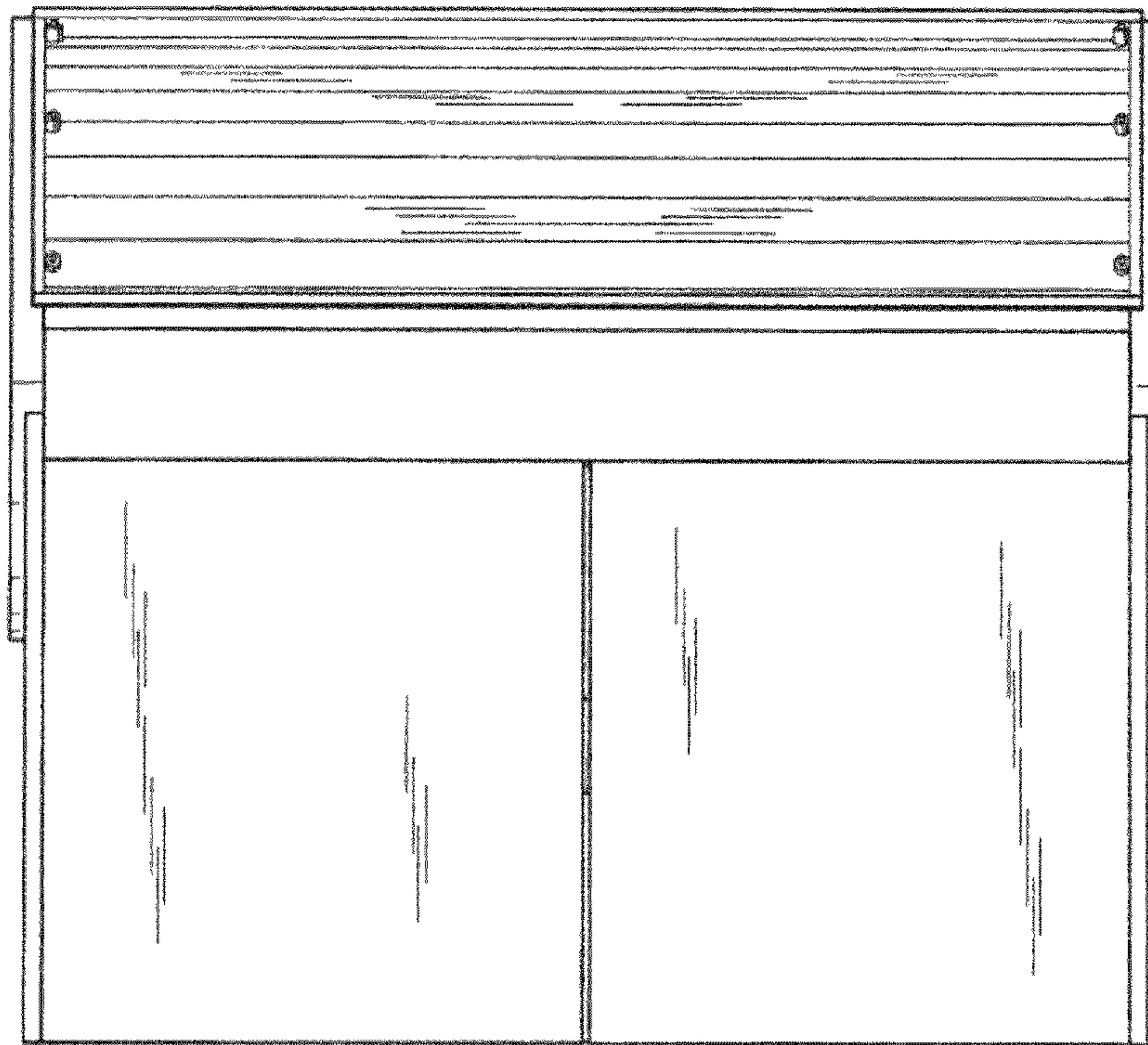


Fig. 4

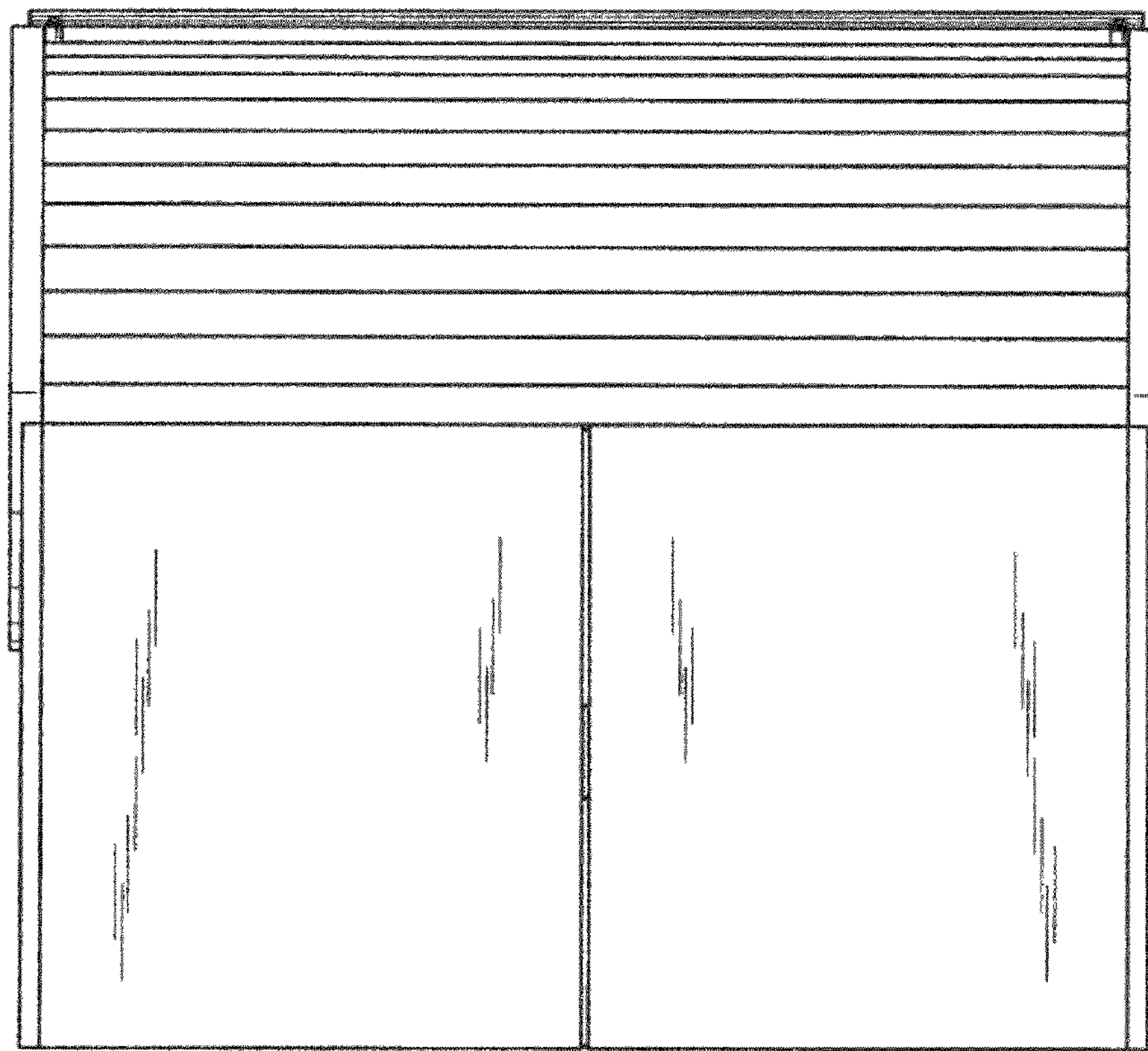


Fig. 5

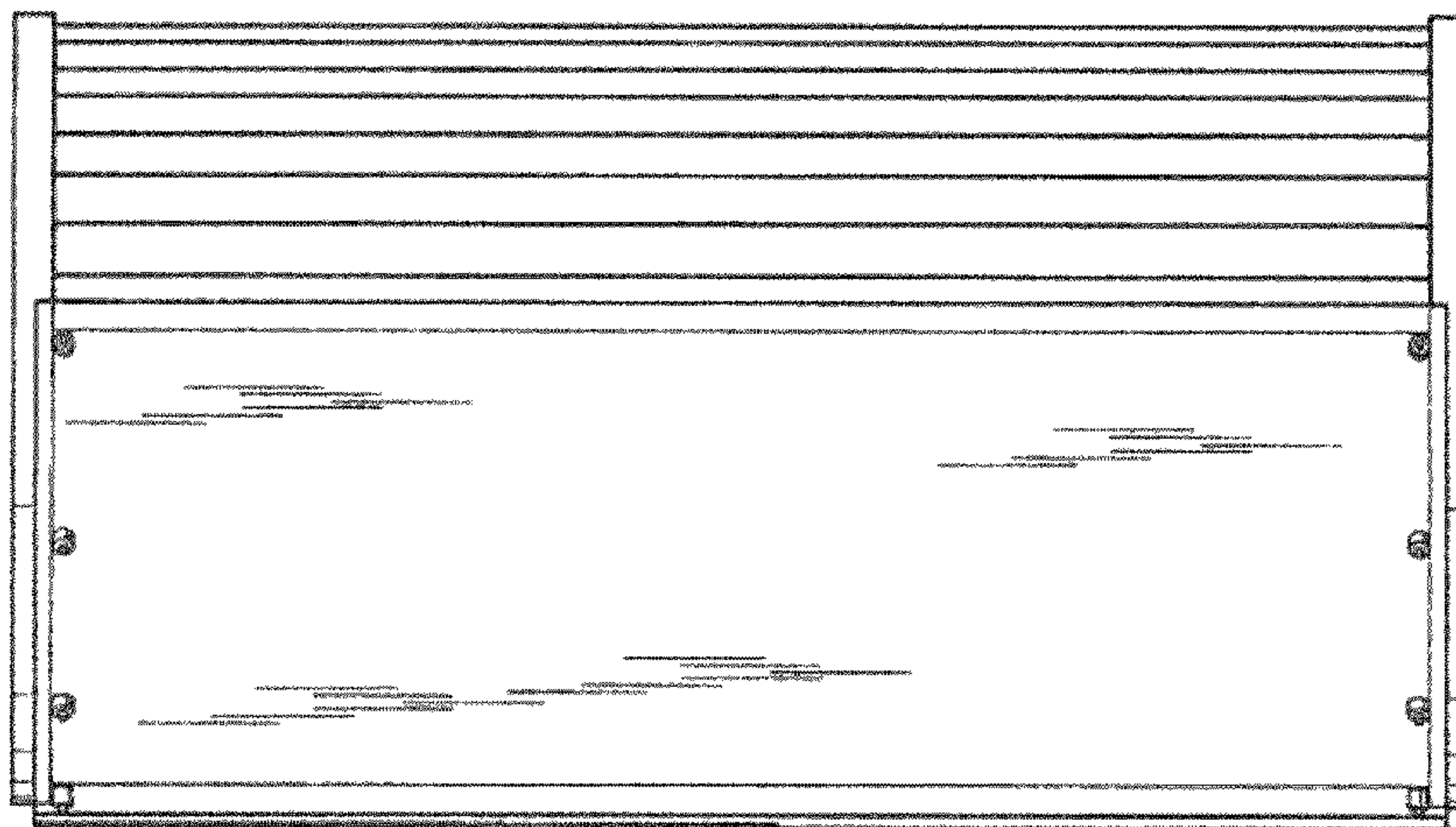


Fig. 6

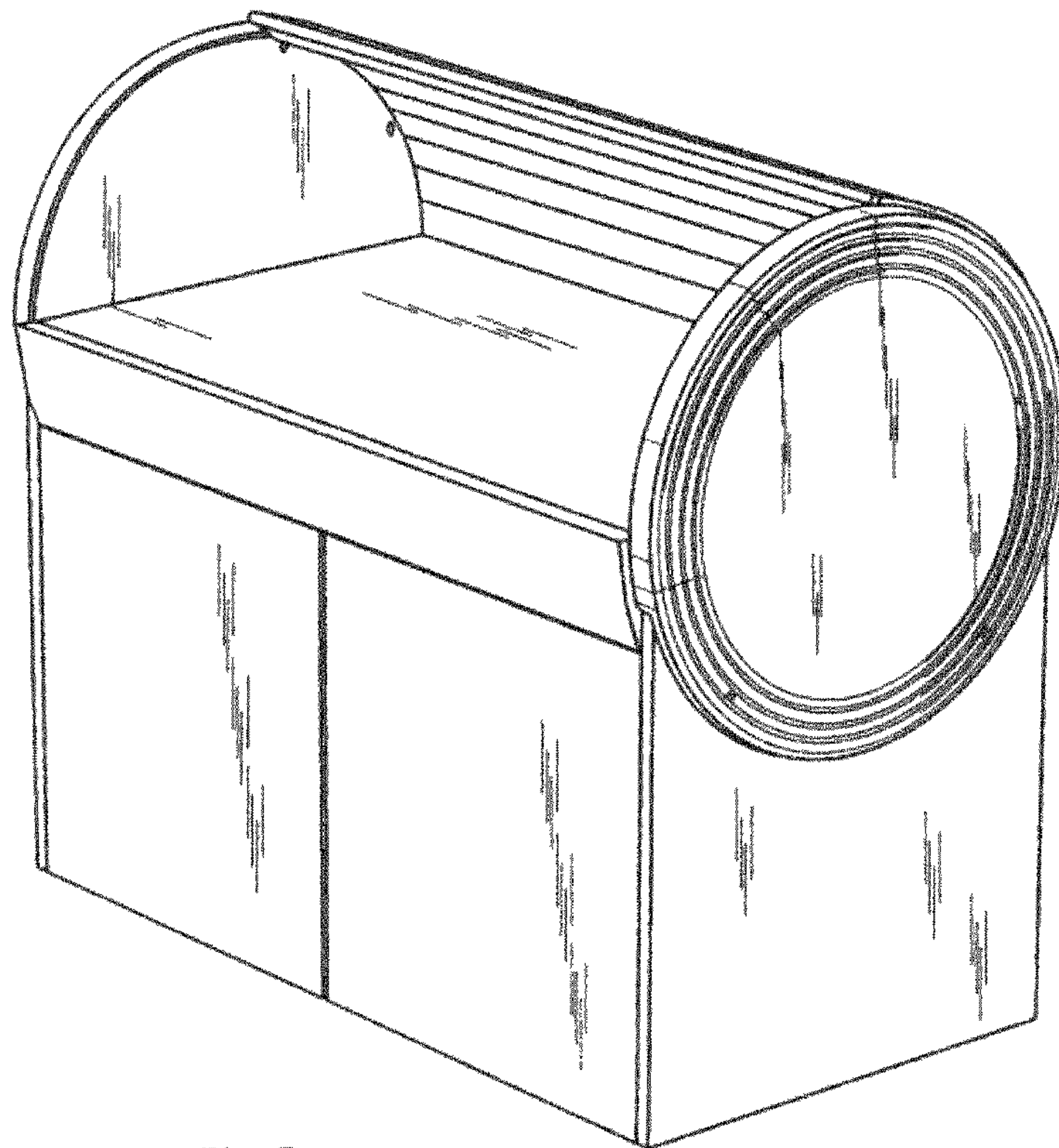


Fig. 7