



US00D674497S

(12) **United States Design Patent**
Smith

(10) **Patent No.:** **US D674,497 S**
(45) **Date of Patent:** **** Jan. 15, 2013**

(54) **BABY BOTTLE**

(75) Inventor: **Peter Smith**, Amsterdam (NL)

(73) Assignee: **Koninklijke Philips Electronics N.V.**,
Eindhoven (NL)

(**) Term: **14 Years**

(21) Appl. No.: **29/409,158**

(22) Filed: **Dec. 21, 2011**

(30) **Foreign Application Priority Data**

Jun. 21, 2011 (EM) 001880774-0002

(51) **LOC (9) Cl.** **07-01**

(52) **U.S. Cl.** **D24/197; D7/510**

(58) **Field of Classification Search** D24/193-199,
D24/117; D7/510-511, 533-534; D9/445,
D9/453, 454, 500, 532, 533, 542, 547, 551,
D9/552; 215/6, 11.1-11.6, 381, 387, 398,
215/DIG. 8; 219/202

See application file for complete search history.

(56) **References Cited**

U.S. PATENT DOCUMENTS

D368,138 S *	3/1996	Hamilton	D24/197
D376,430 S *	12/1996	Humphrey et al.	D24/197
D392,390 S *	3/1998	Chan et al.	D24/197
D420,448 S *	2/2000	Brown et al.	D24/197
D423,107 S *	4/2000	Brown et al.	D24/197
D435,108 S *	12/2000	Chomik et al.	D24/197
D440,318 S *	4/2001	Meyers et al.	D24/197
D441,872 S *	5/2001	Johansen et al.	D24/197
D478,669 S *	8/2003	Wear	D24/197

D486,996 S *	2/2004	Karp	D7/510
6,722,514 B2 *	4/2004	Renz	215/384
D496,733 S *	9/2004	Morano et al.	D24/197
D511,385 S *	11/2005	Lieberman et al.	D24/197
6,978,908 B2 *	12/2005	Morano et al.	215/396
D532,112 S *	11/2006	Lornage	D24/197
D539,095 S *	3/2007	Snyder et al.	D7/597
D580,708 S *	11/2008	George	D7/510
D580,765 S *	11/2008	Amann	D9/504
7,568,588 B2 *	8/2009	Yourist	215/381
D609,527 S *	2/2010	Roehrig et al.	D7/510
D614,447 S *	4/2010	Richau et al.	D7/510
D620,315 S *	7/2010	Boonprasop	D7/509
D620,754 S *	8/2010	Duke	D7/510
D625,561 S *	10/2010	Ablo	D7/511
D642,438 S *	8/2011	Schofield et al.	D7/510
D663,038 S *	7/2012	Enghard	D24/197

* cited by examiner

Primary Examiner — Susan E Krakower

(57) **CLAIM**

The ornamental design for a baby bottle, as shown and described.

DESCRIPTION

FIG. 1 is a perspective view of a baby bottle showing my design;

FIG. 2 is a front elevational view thereof;

FIG. 3 is a rear elevational view thereof;

FIG. 4 is a right side elevational view thereof;

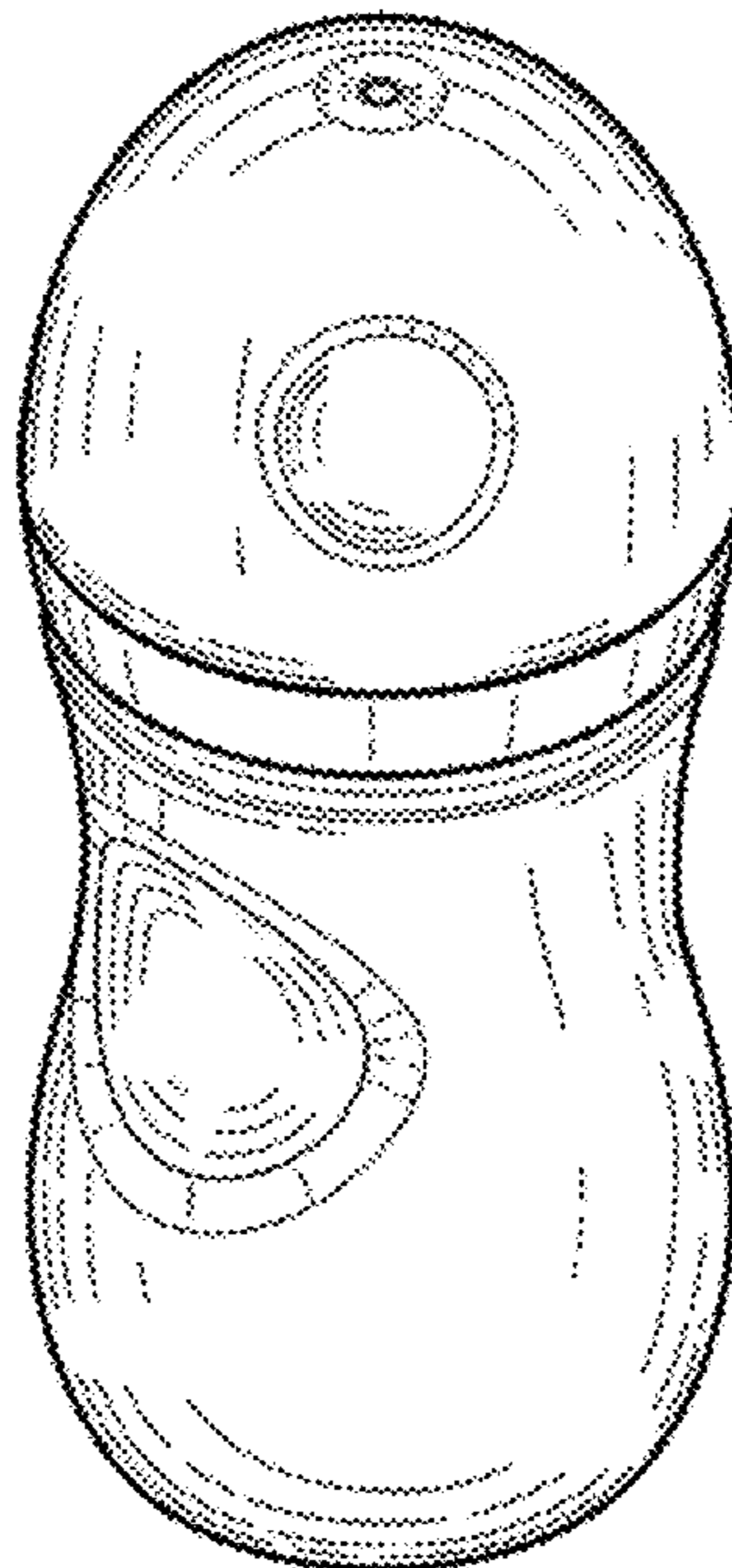
FIG. 5 is a left side elevational view thereof;

FIG. 6 is a top plan view thereof; and,

FIG. 7 is a bottom plan view thereof.

The broken lines illustrate portions of the baby bottle which form no part of the claimed design.

1 Claim, 3 Drawing Sheets



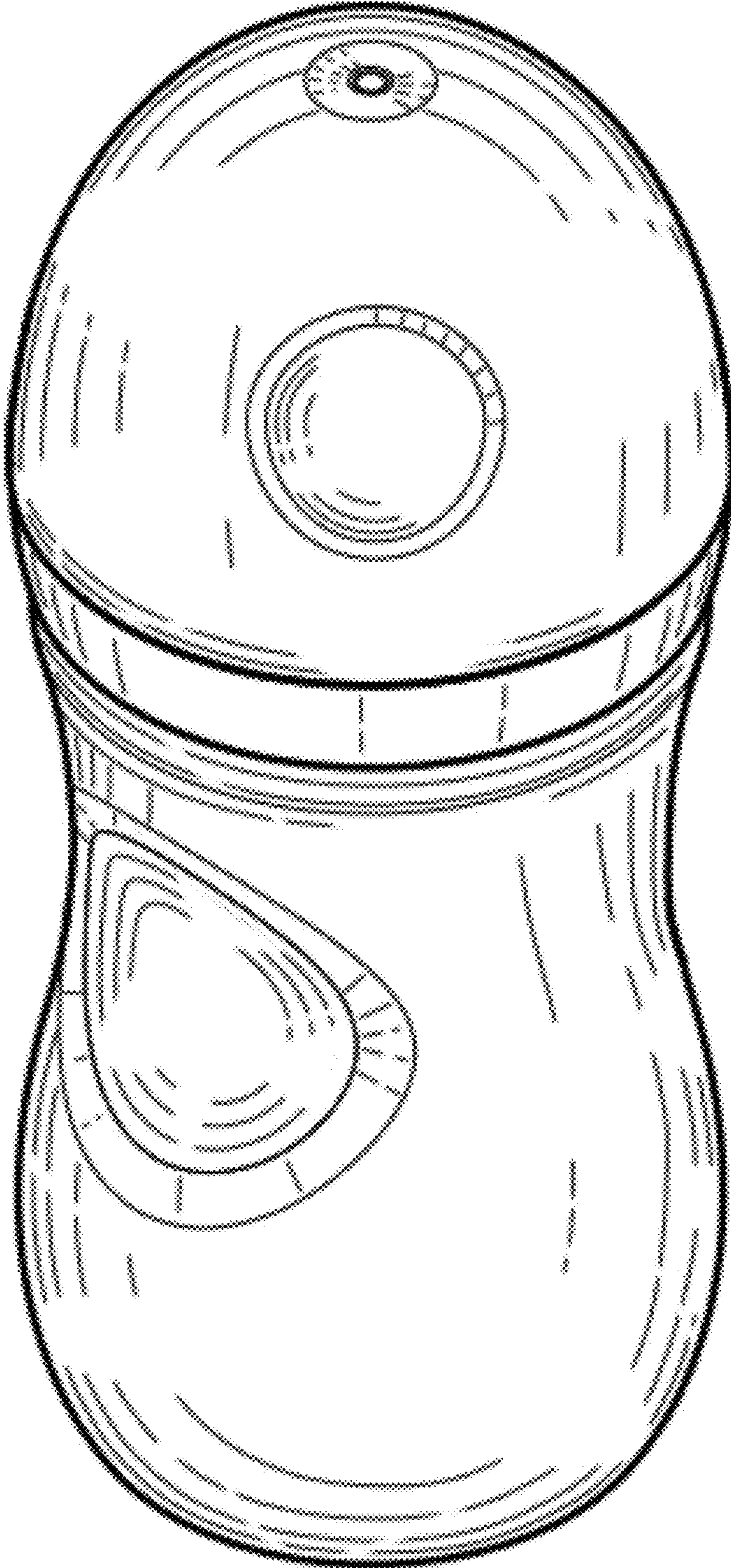


FIG. 1

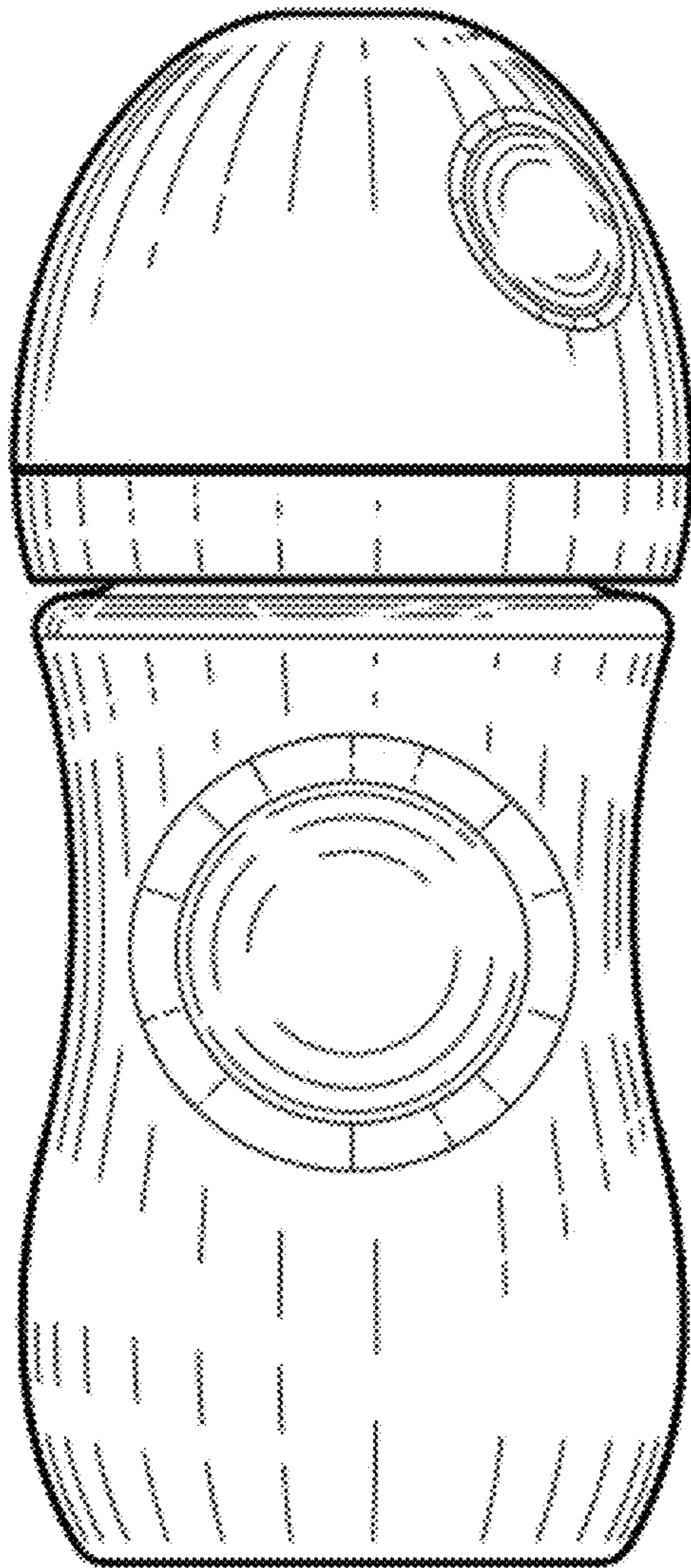


FIG. 2

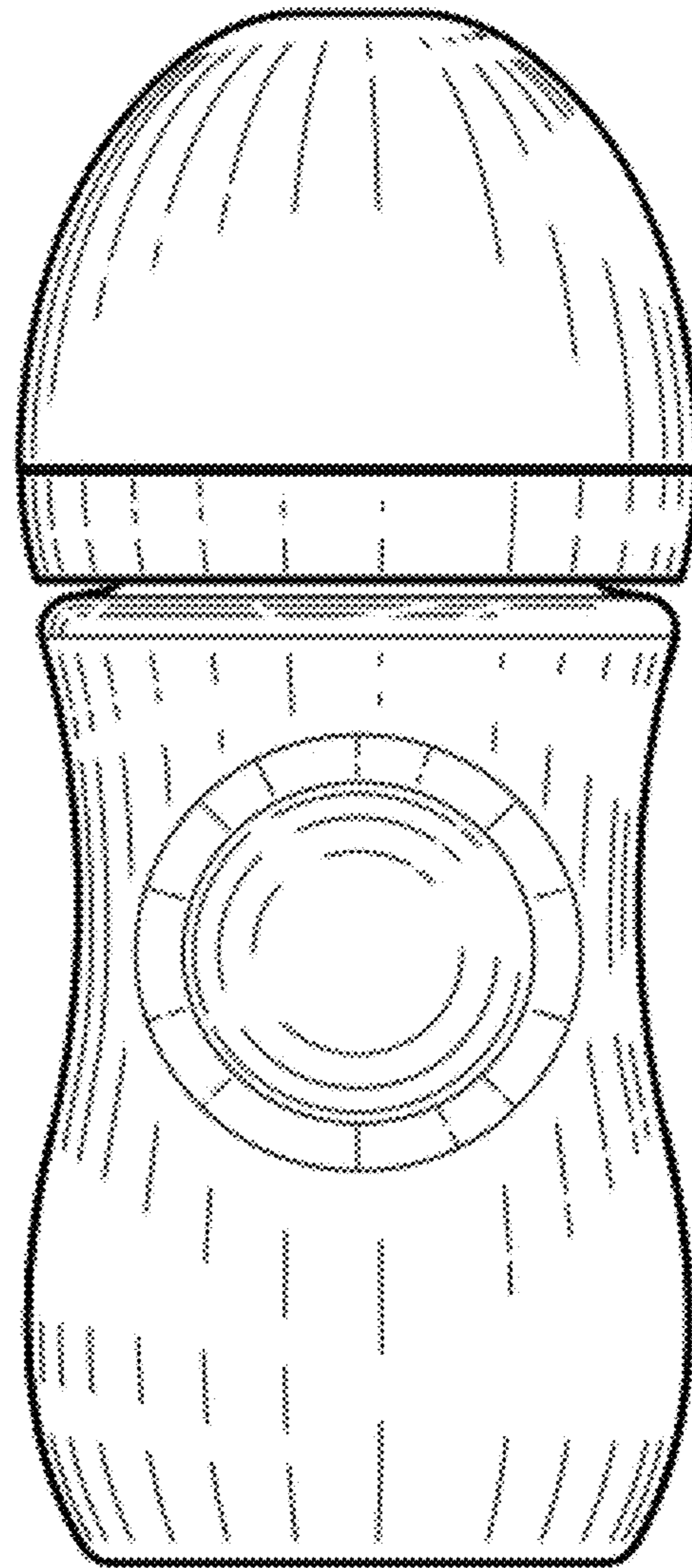


FIG. 3

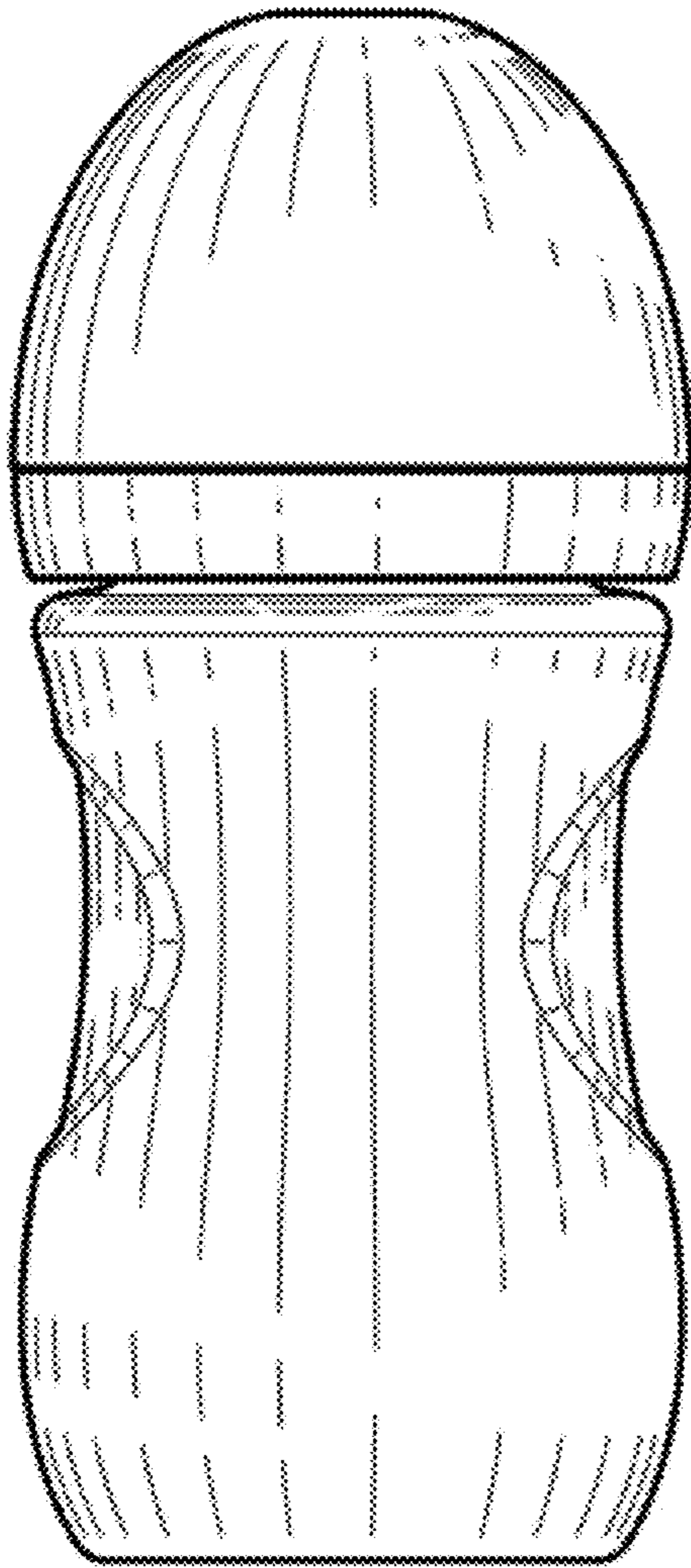


FIG. 4

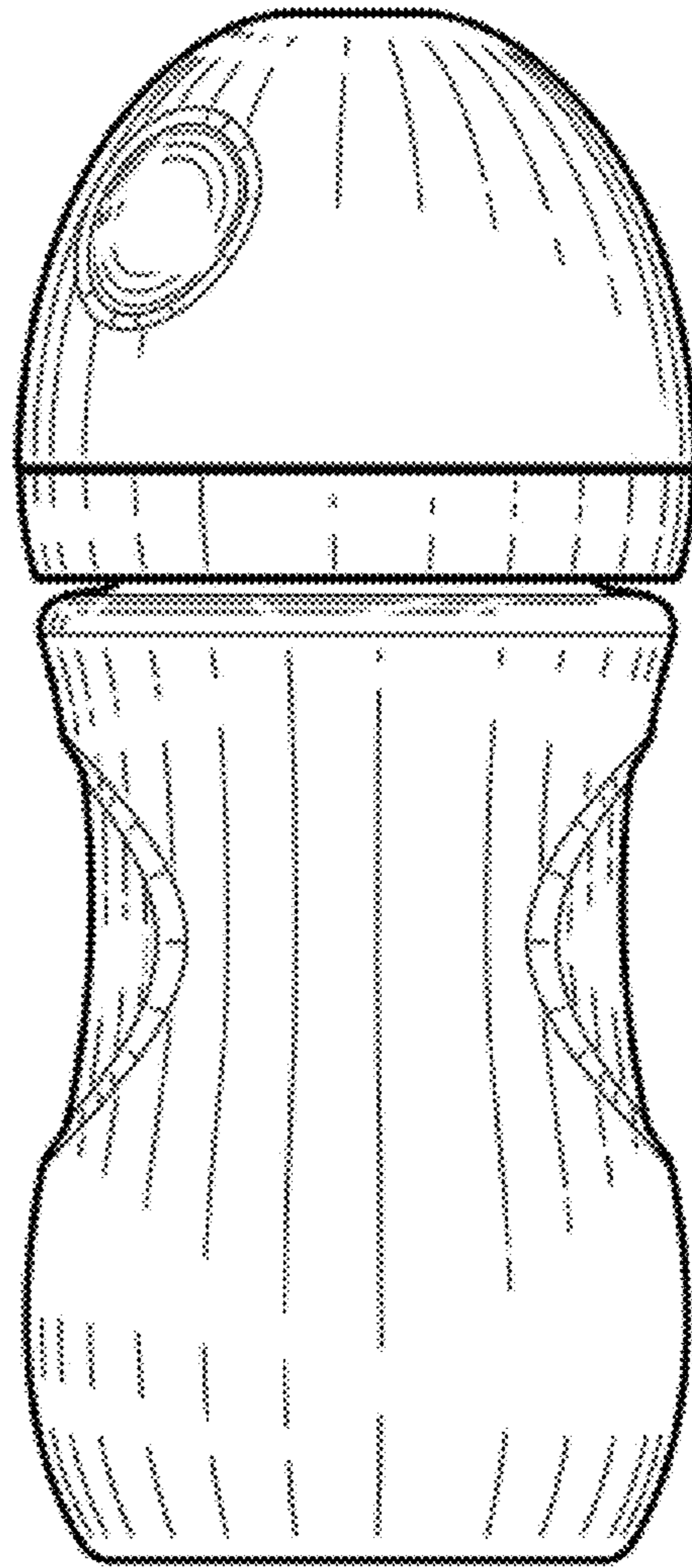


FIG. 5

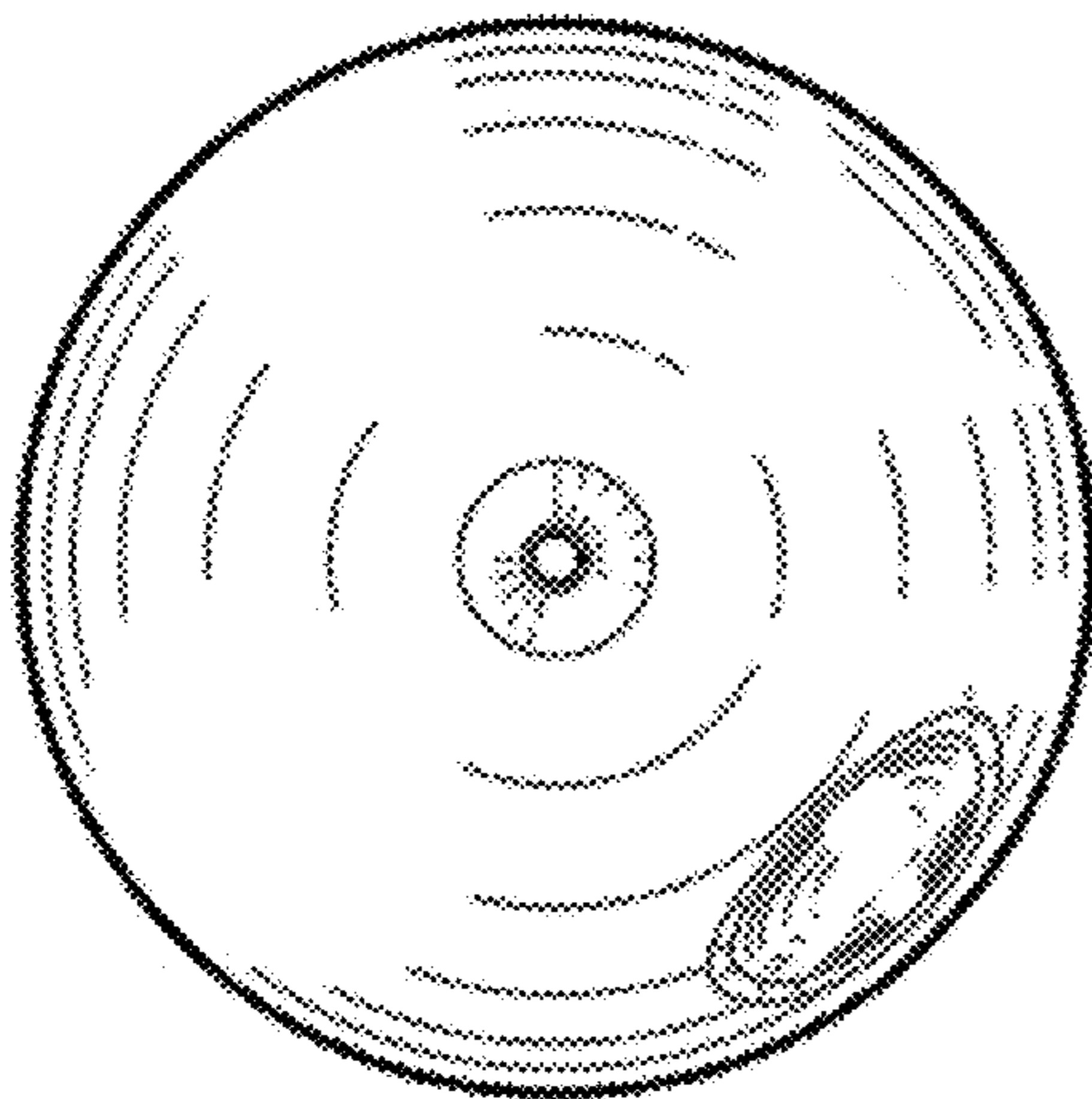


FIG. 6

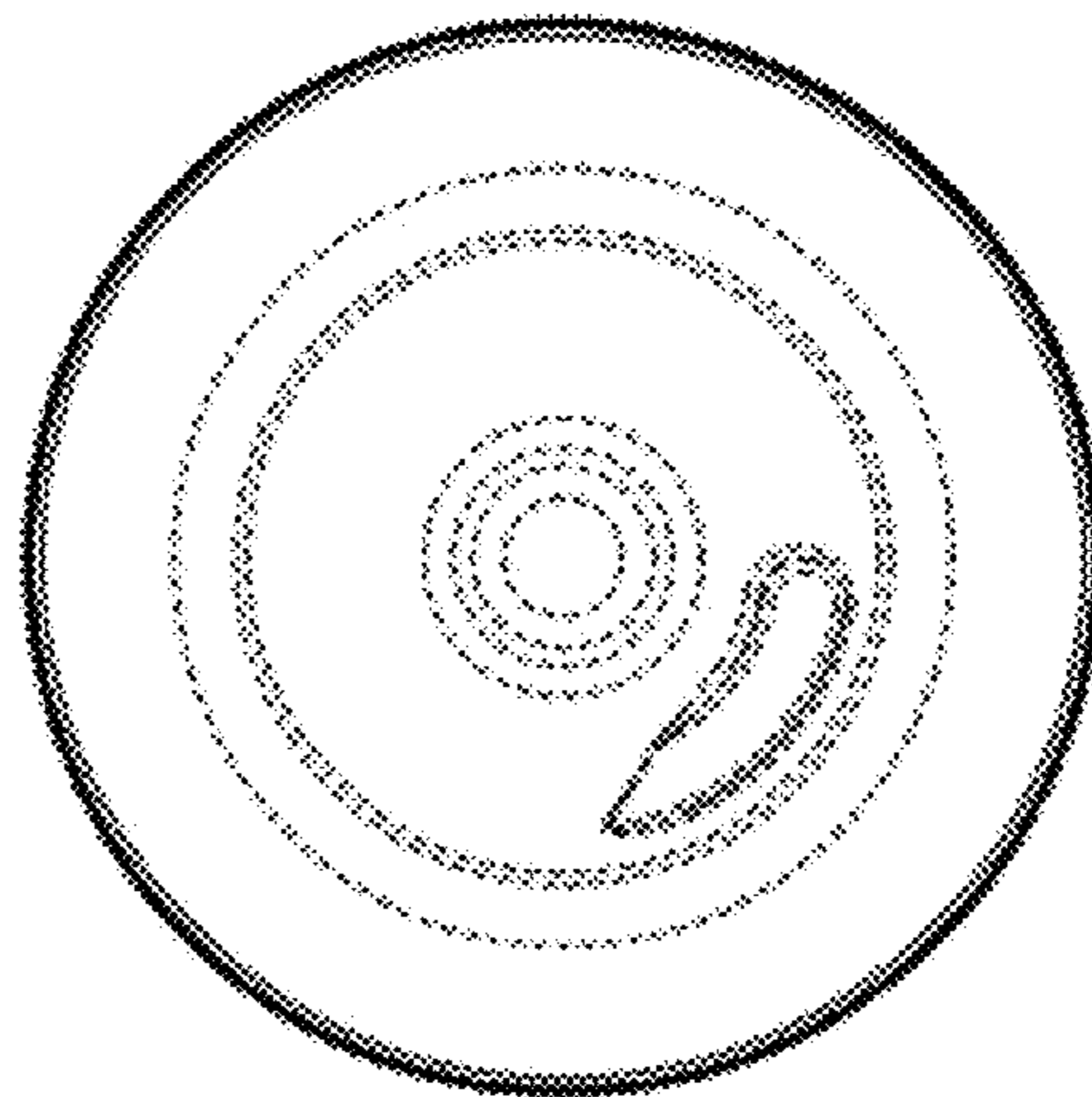


FIG. 7