



US00D674490S

(12) **United States Design Patent**
Bailey et al.

(10) **Patent No.:** **US D674,490 S**
(45) **Date of Patent:** **** Jan. 15, 2013**

(54) **HEARING DEVICE**

(75) Inventors: **John William Bailey**, Crawley (GB);
Stewart James Heaysman, Brighton
(GB); **Frank Naumann**, Erlangen (DE);
Steven Rose, Brighton (GB)

(73) Assignee: **Siemens Medical Instruments Pte.**
Ltd., Singapore (SG)

(**) Term: **14 Years**

(21) Appl. No.: **29/407,161**

(22) Filed: **Nov. 23, 2011**

(30) **Foreign Application Priority Data**

May 25, 2011 (EM) 001277917

(51) **LOC (9) Cl.** **24-99**

(52) **U.S. Cl.** **D24/174**

(58) **Field of Classification Search** D24/173-175,
D24/151; D14/223, 224, 249, 225, 226,
D14/206, 205; 381/23.1, 312, 322-324,
381/328, 330, 380, 381; 181/135
See application file for complete search history.

(56) **References Cited**

U.S. PATENT DOCUMENTS

4,447,677 A * 5/1984 Miyahra et al. 381/324
4,870,688 A * 9/1989 Voroba et al. 381/322

D375,556 S * 11/1996 Narisawa et al. D24/174
5,784,471 A * 7/1998 Bebenroth 381/322
D397,796 S * 9/1998 Yabe et al. D24/174
D554,756 S * 11/2007 Sjursen et al. D24/174
D612,058 S * 3/2010 Wai D24/174
D615,206 S * 5/2010 Vaterlaus D24/174
D636,492 S * 4/2011 Aquilina et al. D24/174
D637,181 S * 5/2011 Fuller et al. D14/223
8,160,284 B2 * 4/2012 Johnson et al. 381/321
2010/0220884 A1 * 9/2010 Aquilina et al. 381/328

* cited by examiner

Primary Examiner — Anhdao Doan

(74) *Attorney, Agent, or Firm* — Laurence A. Greenberg;
Werner H. Stemer; Ralph E. Locher

(57) **CLAIM**

The ornamental design for a hearing device, as shown and described.

DESCRIPTION

FIG. 1 is a front elevation view of a hearing device showing my new design;
FIG. 2 is a rear elevation view thereof;
FIG. 3 is a top view thereof;
FIG. 4 is a bottom view thereof;
FIG. 5 is a left side view thereof;
FIG. 6 is a right view thereof; and,
FIG. 7 is a perspective view thereof.

1 Claim, 7 Drawing Sheets

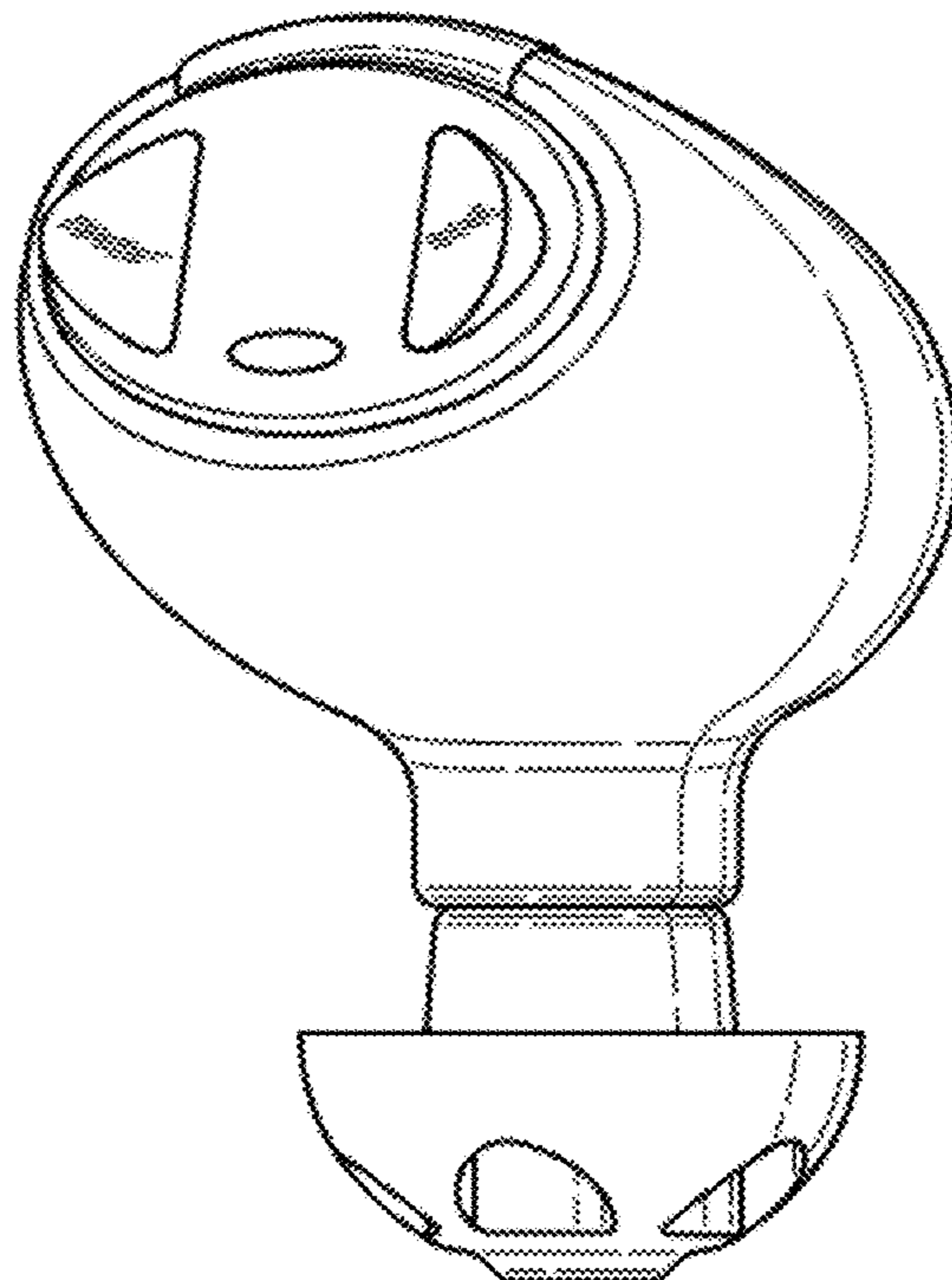


FIG. 1

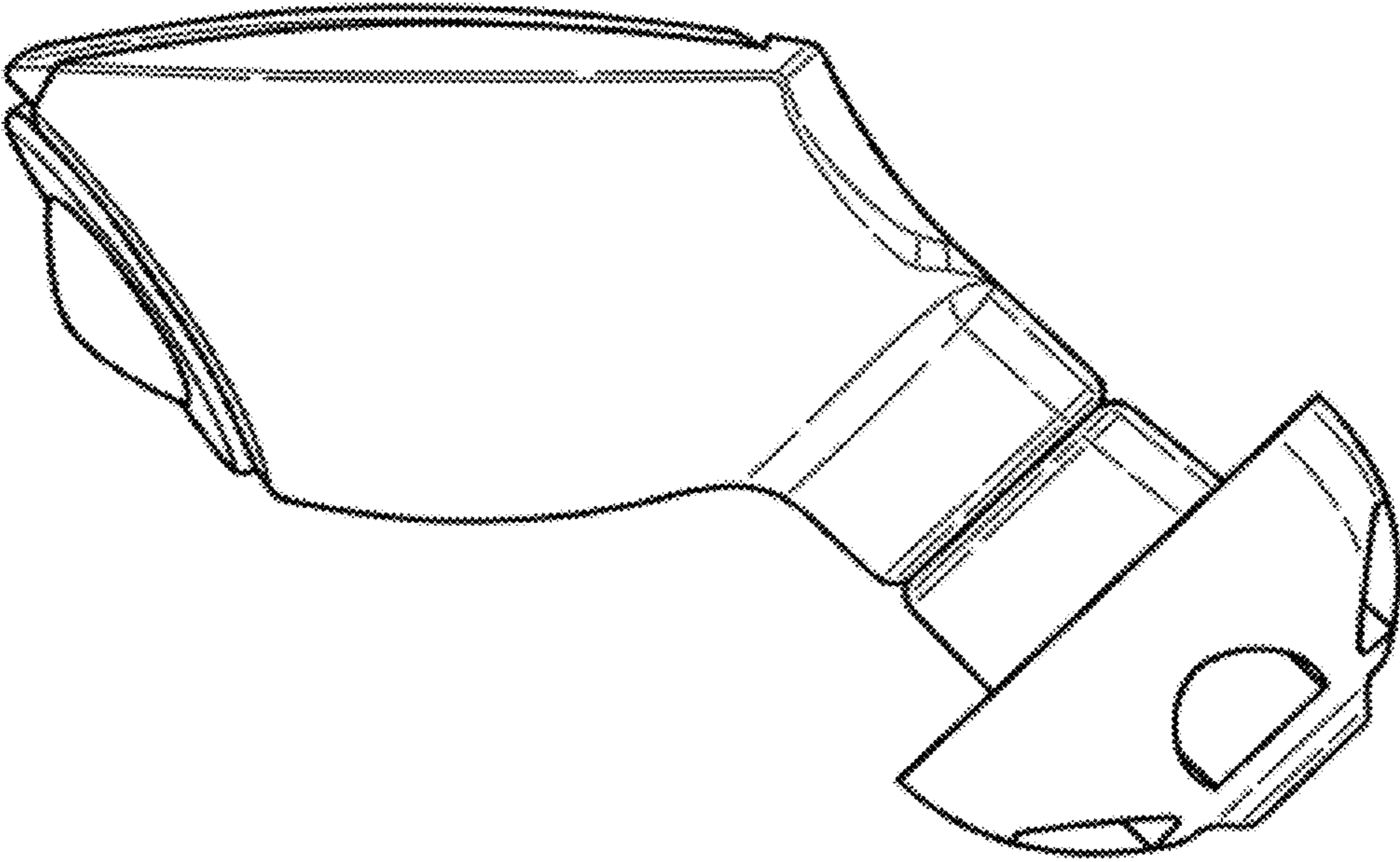


FIG. 2

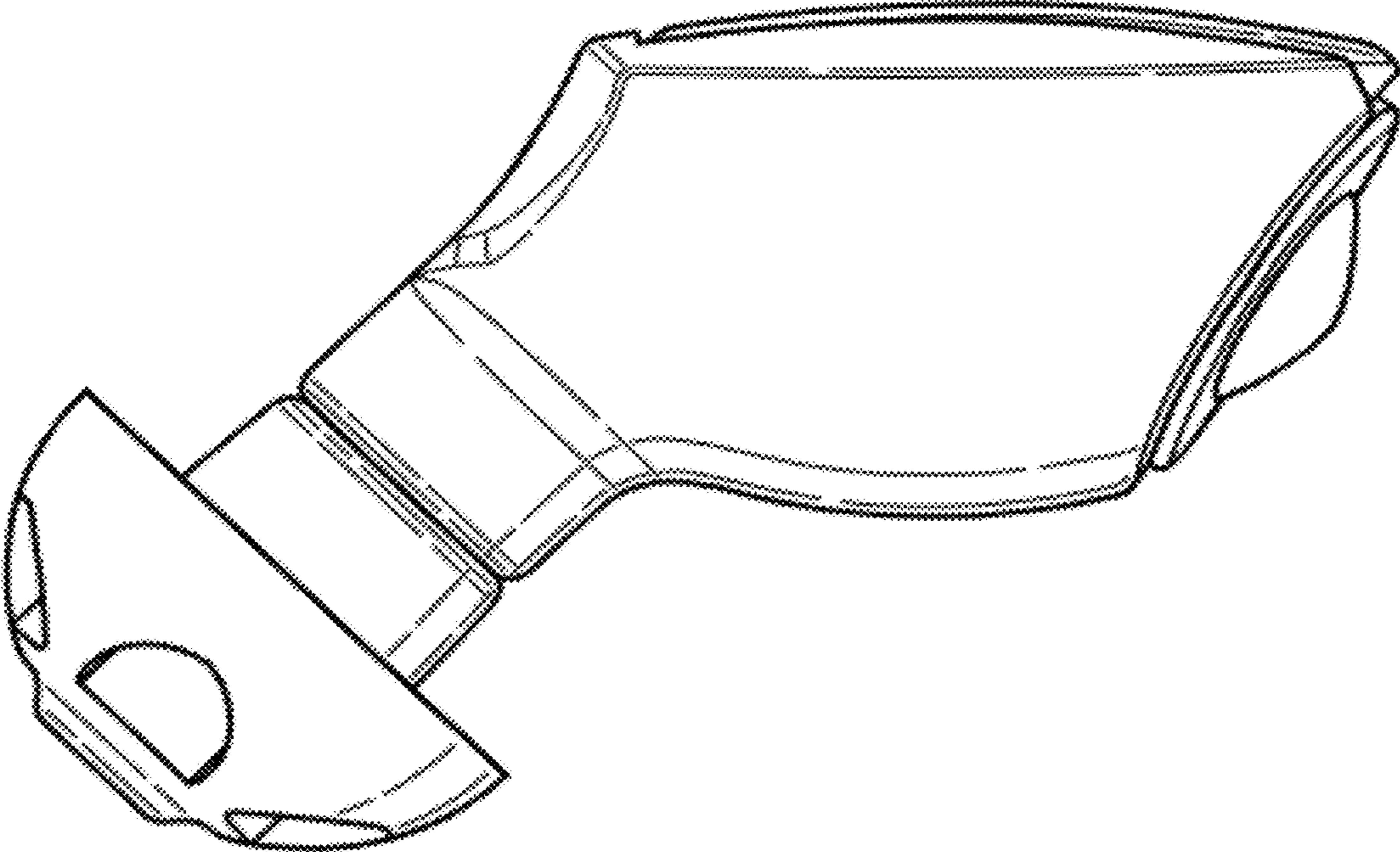


FIG 3

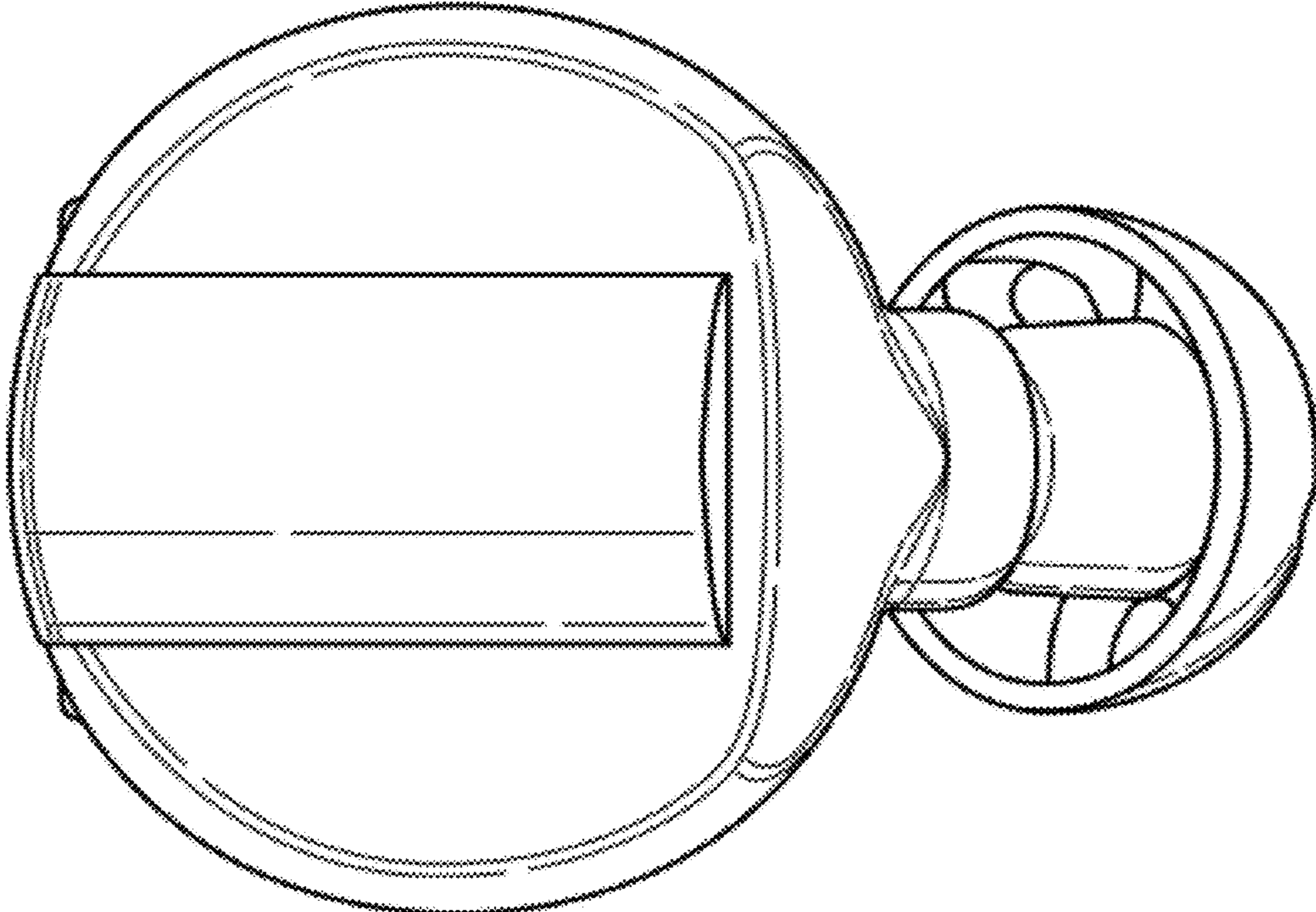


FIG. 4

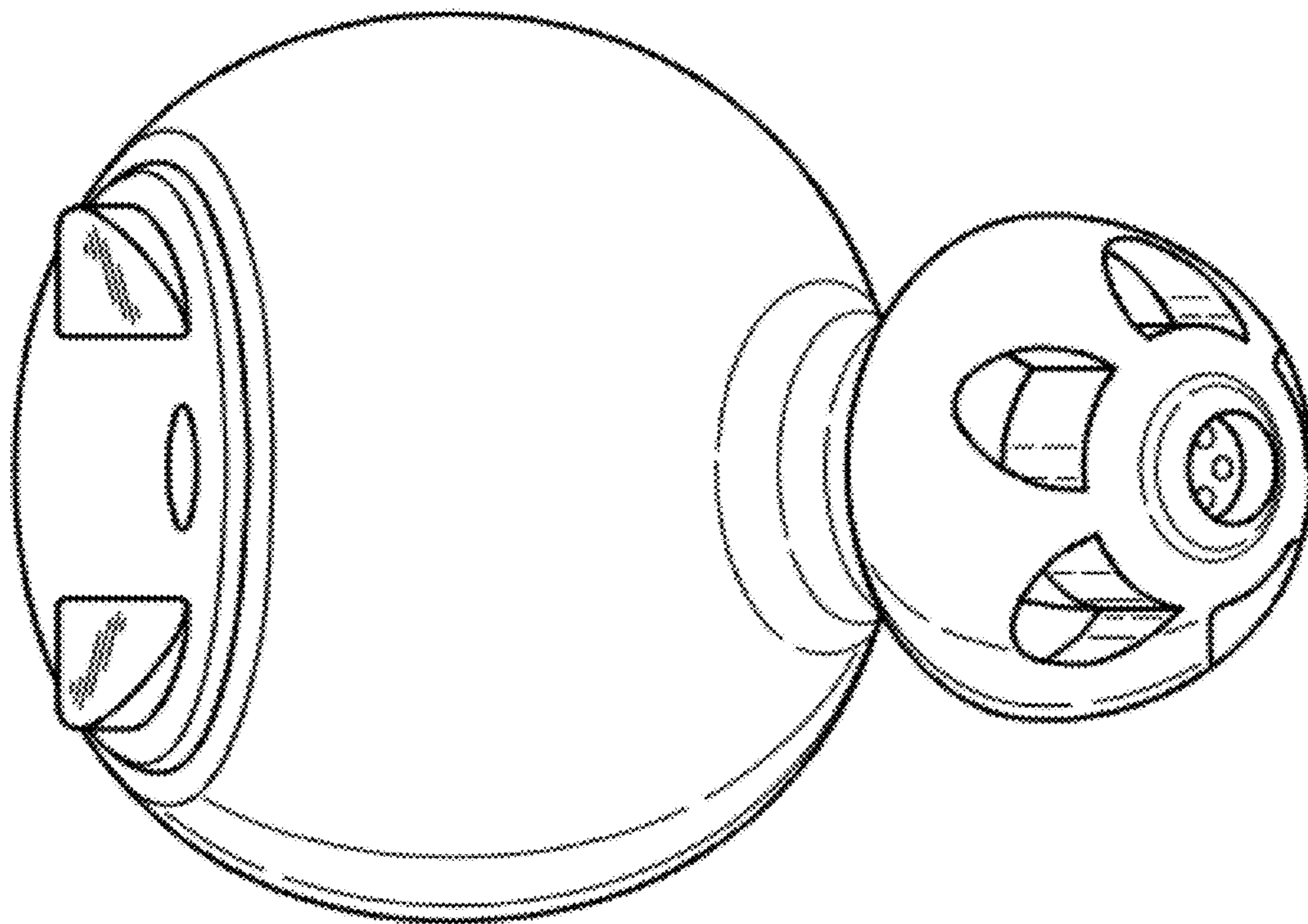


FIG. 5

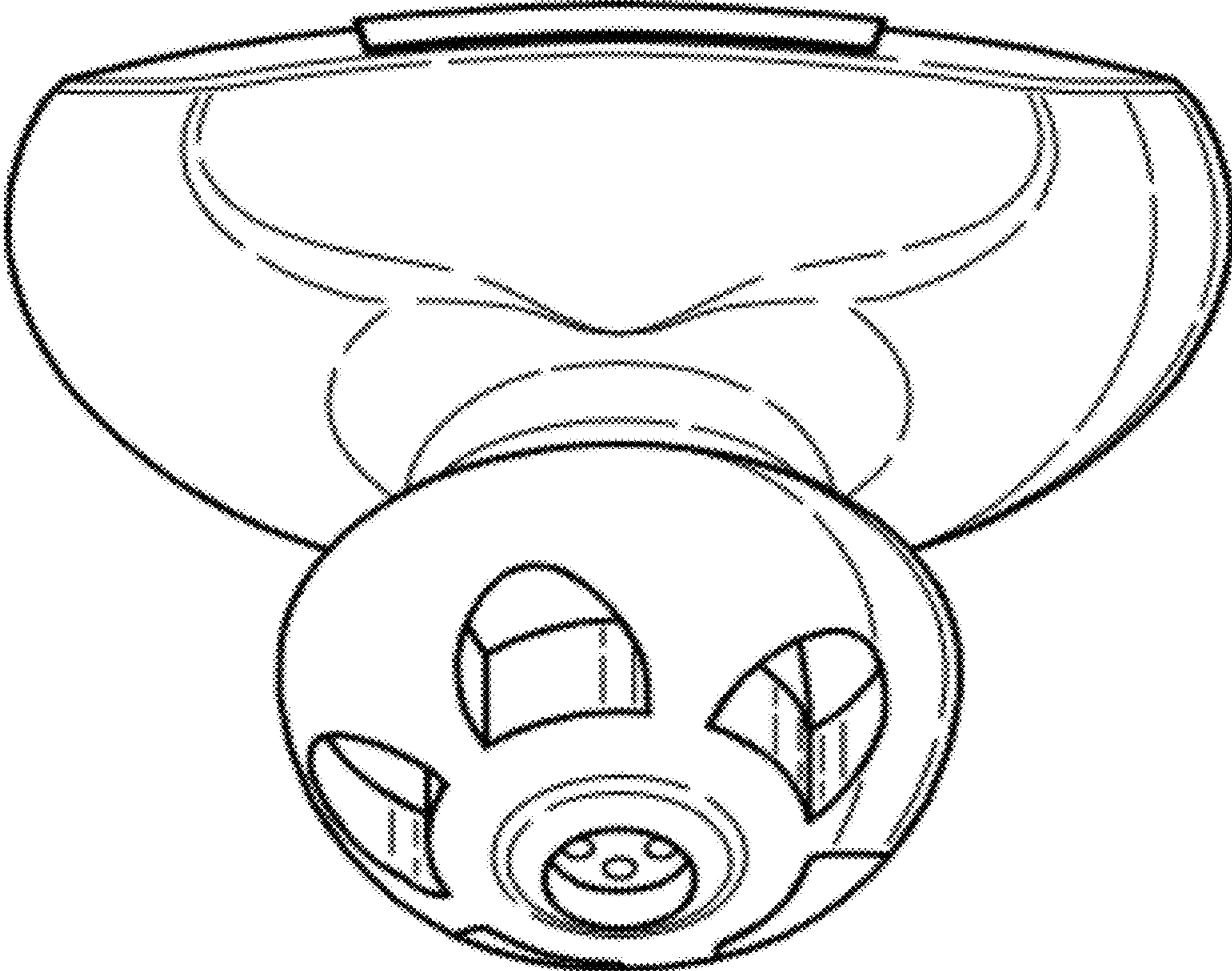


FIG. 6

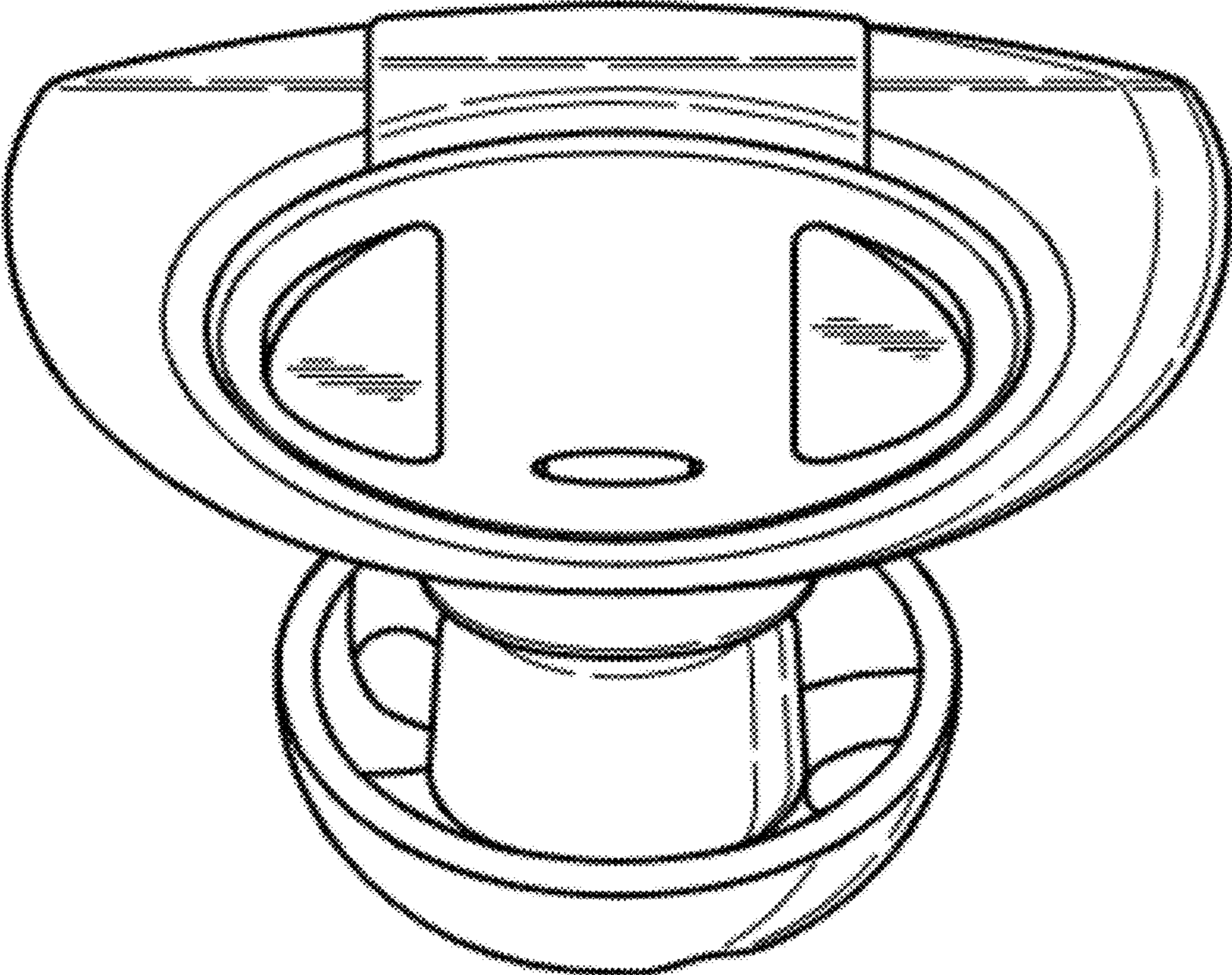


FIG. 7

