



US00D674487S

(12) **United States Design Patent**
Kile et al.

(10) **Patent No.:** **US D674,487 S**
(45) **Date of Patent:** **** Jan. 15, 2013**

(54) **DENTAL DEVICE CONNECTION ADAPTER**
(75) Inventors: **Jeremy Kile**, York, PA (US); **Mark Sprinkle**, Hampstead, MD (US)
(73) Assignee: **DENTSPLY International Inc.**, York, PA (US)
(**) Term: **14 Years**
(21) Appl. No.: **29/403,093**
(22) Filed: **Sep. 30, 2011**
(51) **LOC (9) Cl.** **24-02**
(52) **U.S. Cl.** **D24/152**
(58) **Field of Classification Search** D24/152,
D24/154, 146, 155-156, 176, 180; 433/82-83,
433/85, 114, 116, 119, 124-126, 141, 146,
433/166
See application file for complete search history.

5,156,547 A 10/1992 Bailey
5,209,658 A 5/1993 Brahler
5,224,859 A 7/1993 Kraenzle
5,328,369 A 7/1994 Bailey
5,340,310 A 8/1994 Bifulk
5,348,473 A 9/1994 Kivlighan, Jr.
5,352,119 A 10/1994 Sakurai
5,374,189 A 12/1994 Mendoza
5,380,202 A 1/1995 Brahler
5,382,162 A 1/1995 Sharp
5,405,265 A 4/1995 Mendoza
5,423,679 A 6/1995 Bailey
RE34,997 E 7/1995 Kraenzle
5,433,605 A 7/1995 Strobl, Jr.
5,482,461 A 1/1996 Yale
5,484,284 A 1/1996 Bailey
5,496,218 A 3/1996 Brahler
5,498,159 A * 3/1996 Coss 433/126

(Continued)

FOREIGN PATENT DOCUMENTS

WO 2006017554 A1 2/2006

Primary Examiner — Wan Laymon

(74) *Attorney, Agent, or Firm* — Leana Levin; Douglas J. Hura; David A. Zdurne

(56) **References Cited**

U.S. PATENT DOCUMENTS

3,407,502 A 10/1968 Richmond
3,478,433 A 11/1969 Richmond
3,691,636 A 9/1972 Deuschle
3,727,313 A 4/1973 Graham
3,740,853 A 6/1973 Brahler
3,769,707 A * 11/1973 Condon 433/82
3,835,858 A 9/1974 Hagen
4,182,041 A 1/1980 Girard
4,255,143 A 3/1981 Schuss et al.
4,266,933 A 5/1981 Warden et al.
4,266,935 A * 5/1981 Hoppe 433/116
4,365,956 A 12/1982 Bailey
4,486,175 A 12/1984 Fisher et al.
4,604,058 A 8/1986 Fisher et al.
5,020,994 A 6/1991 Huang
5,028,233 A 7/1991 Witherby
5,040,978 A 8/1991 Falcon et al.
5,083,922 A 1/1992 Yale
5,120,220 A 6/1992 Butler
5,131,846 A 7/1992 Hall
5,139,422 A 8/1992 Straihammer et al.

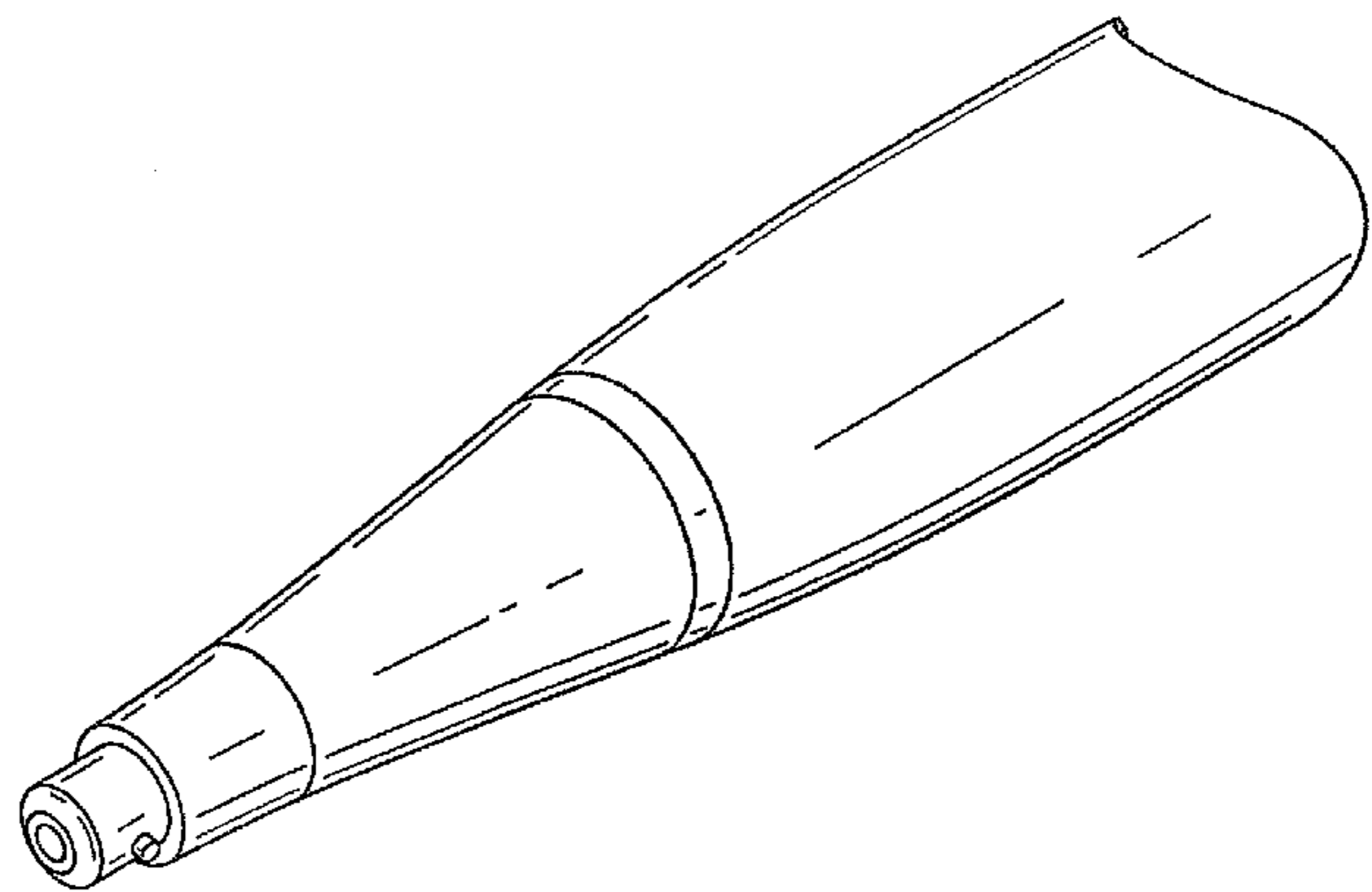
(57) **CLAIM**

The ornamental design for a dental device connection adapter, as shown and described is claimed.

DESCRIPTION

FIG. 1 is an isometric view of a dental handpiece sheath showing our new design;
FIG. 2 is a first side view thereof;
FIG. 3 is a second side view thereof;
FIG. 4 is a front view thereof;
FIG. 5 is a back view thereof;
FIG. 6 is a top view thereof; and,
FIG. 7 is a bottom view thereof.
Portions of the dental handpiece sheath shown in broken lines form no part of the claimed design.

1 Claim, 4 Drawing Sheets



US D674,487 S

Page 2

U.S. PATENT DOCUMENTS

D368,523 S	4/1996	Mendoza	6,168,433 B1	1/2001	Hamlin	
D368,964 S	4/1996	Mendoza	6,203,322 B1	3/2001	Kraenzle	
5,503,555 A	4/1996	Bailey	6,227,853 B1	5/2001	Hansen et al.	
5,507,644 A	4/1996	Kivligan, Jr.	6,247,931 B1	6/2001	Postal et al.	
D371,199 S	6/1996	Mendoza	6,257,886 B1	7/2001	Warner	
5,529,495 A	6/1996	Edwards	6,382,971 B1	5/2002	Randolph	
5,531,599 A	7/1996	Bailey	6,406,470 B1	6/2002	Kierce	
5,554,896 A	9/1996	Hogan	6,409,507 B1	6/2002	Postal et al.	
5,571,012 A	11/1996	Witherby et al.	6,527,552 B2	3/2003	Loddeke et al.	
D376,422 S	12/1996	Bailey	6,632,090 B1	10/2003	Randolph	
5,584,690 A	12/1996	Maassarani	6,655,015 B2	12/2003	Kraenzle	
5,642,995 A	7/1997	Bailey	6,716,028 B2	4/2004	Rahman et al.	
5,645,426 A	7/1997	Grim et al.	6,811,399 B2	11/2004	Rahman et al.	
5,655,906 A	8/1997	Coss et al.	6,875,017 B1	4/2005	Tarr	
5,667,383 A	9/1997	Mendoza et al.	D504,949 S *	5/2005	Kuhn et al.	D24/152
5,683,247 A	11/1997	Bailey	7,011,520 B2	3/2006	Rahman et al.	
5,690,488 A	11/1997	Spinello	7,029,278 B2 *	4/2006	Pond	433/125
5,692,901 A	12/1997	Roth et al.	7,047,706 B2	5/2006	Kraenzle	
5,730,595 A	3/1998	Bailey	7,070,412 B2	7/2006	Stadeker	
5,749,728 A	5/1998	Bailey	7,101,182 B2	9/2006	Garrison et al.	
5,775,901 A	7/1998	Riso	7,104,794 B2	9/2006	Levy	
5,776,155 A	7/1998	Beaupre et al.	7,104,796 B1	9/2006	Chia et al.	
5,803,510 A	9/1998	Dorsey, III	D533,276 S *	12/2006	Nakanishi	D24/152
5,824,289 A	10/1998	Stoltz	7,160,108 B2	1/2007	Jaffe	
5,871,353 A	2/1999	Pierce et al.	7,217,128 B2	5/2007	Atkin et al.	
5,876,203 A	3/1999	Bailey	D595,851 S *	7/2009	Karten et al.	D24/152
5,902,107 A	5/1999	Lowell	D604,412 S *	11/2009	Kobayashi	D24/152
5,911,577 A	6/1999	Henrikson	7,955,079 B2 *	6/2011	Chronister et al.	433/125
5,915,965 A	6/1999	Ohisson et al.	D645,563 S *	9/2011	Chronister et al.	D24/176
D413,384 S	8/1999	Hanley et al.	8,038,441 B2 *	10/2011	Tarr	433/125
D413,385 S	8/1999	Hanley et al.	2002/0139091 A1	10/2002	Kraenzle	
5,964,590 A	10/1999	Loddeke et al.	2002/0192618 A1	12/2002	Loddeke et al.	
6,012,922 A	1/2000	Novak	2005/0032022 A1	2/2005	Jaffe	
6,053,732 A	4/2000	Sale	2005/0257372 A1	11/2005	Kraenzle	
D427,311 S	6/2000	Henrikson	2006/0024642 A1	2/2006	Stadeker	
6,083,000 A	7/2000	Charlton	2006/0046227 A1	3/2006	Shen et al.	
6,086,369 A	7/2000	Sharp et al.	2006/0185322 A1	8/2006	Kranzle	
6,089,866 A	7/2000	Brahler	2006/0204923 A1	9/2006	Stadeker	
6,099,309 A	8/2000	Caidarelli	2007/0026361 A1	2/2007	Carron	
6,146,140 A	11/2000	Bailey	2011/0081624 A1 *	4/2011	Chronister et al.	433/126

* cited by examiner

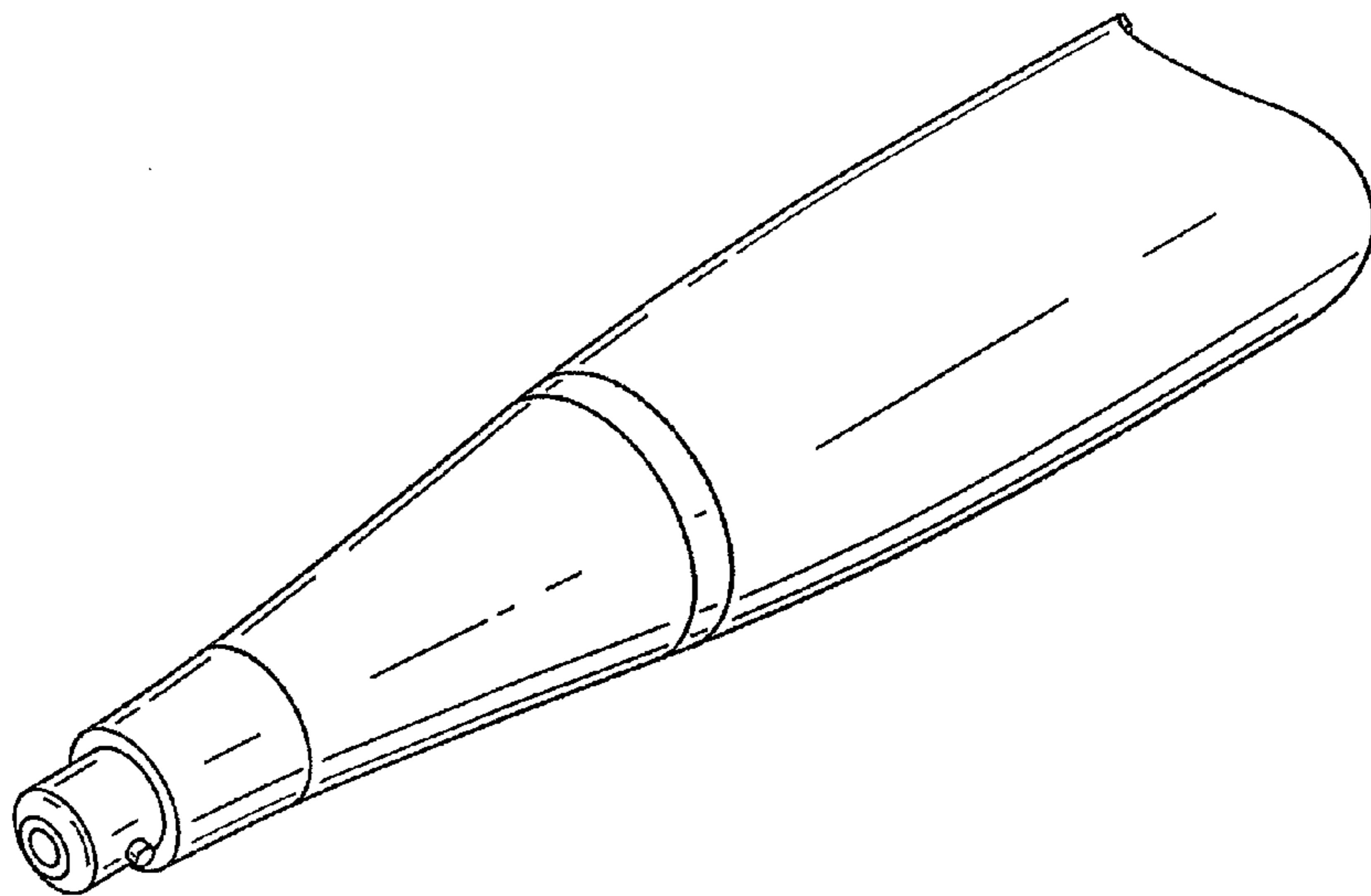


FIG. 1

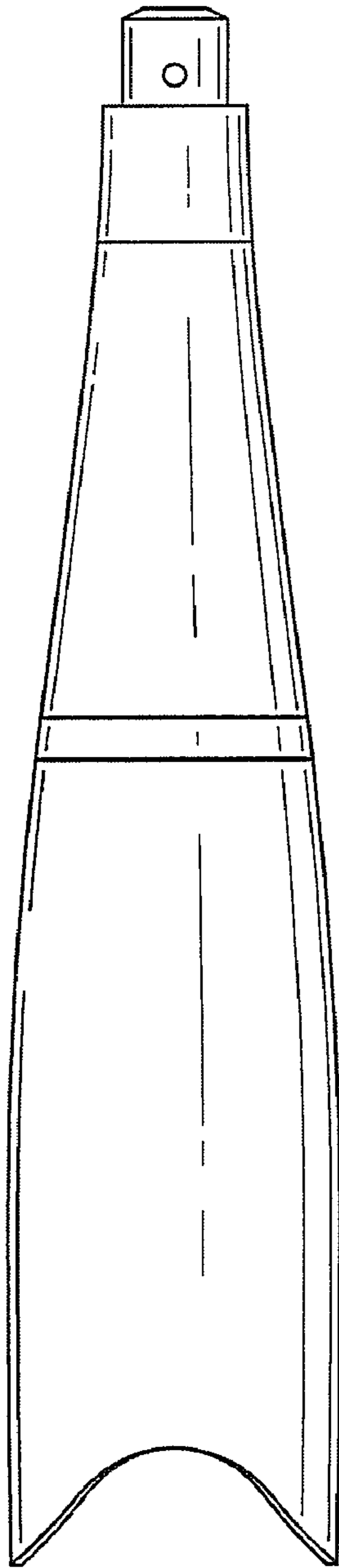


FIG. 2

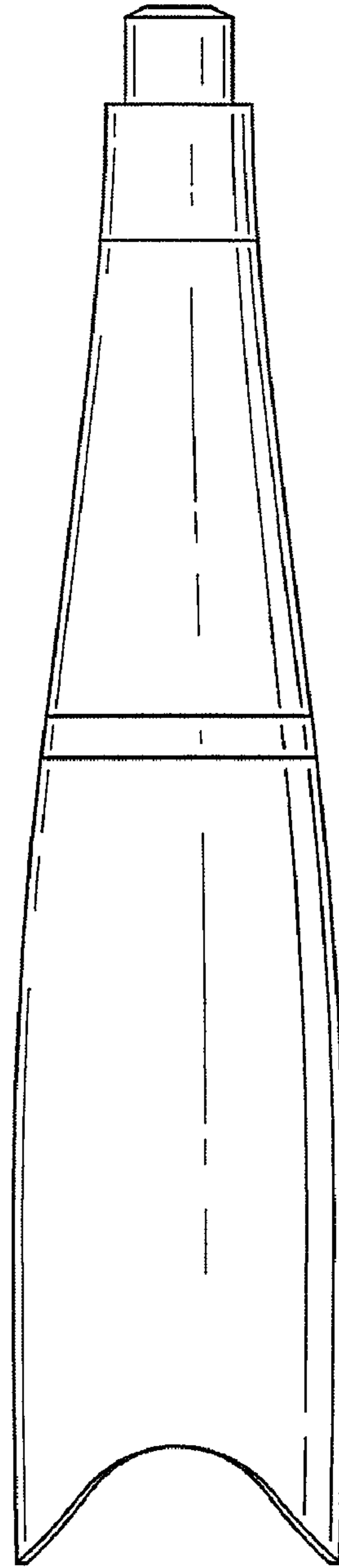


FIG. 3

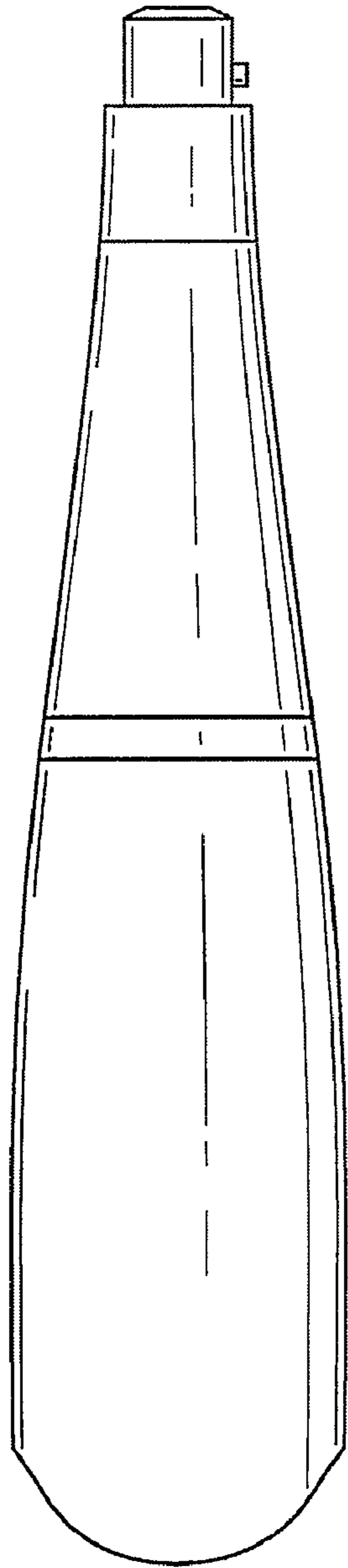


FIG. 4

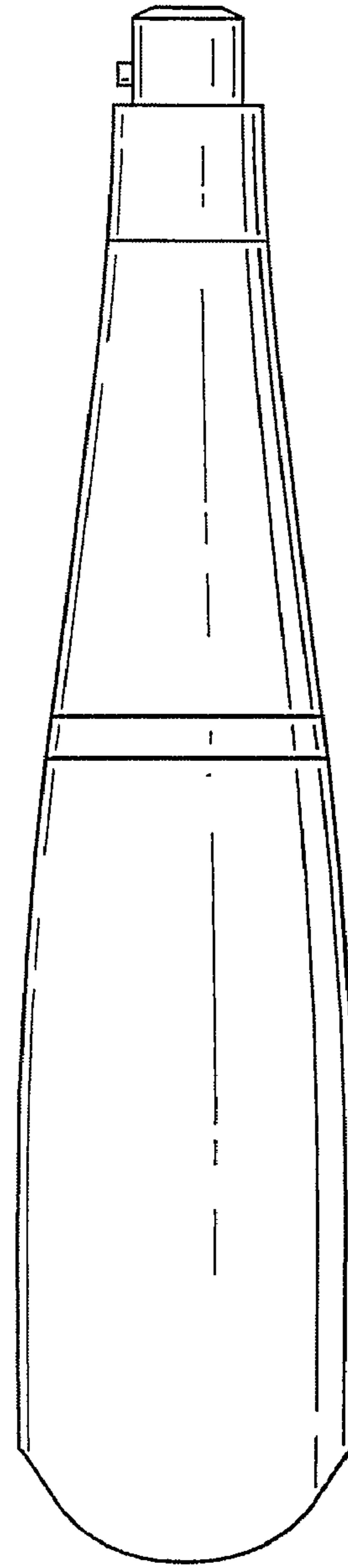


FIG. 5

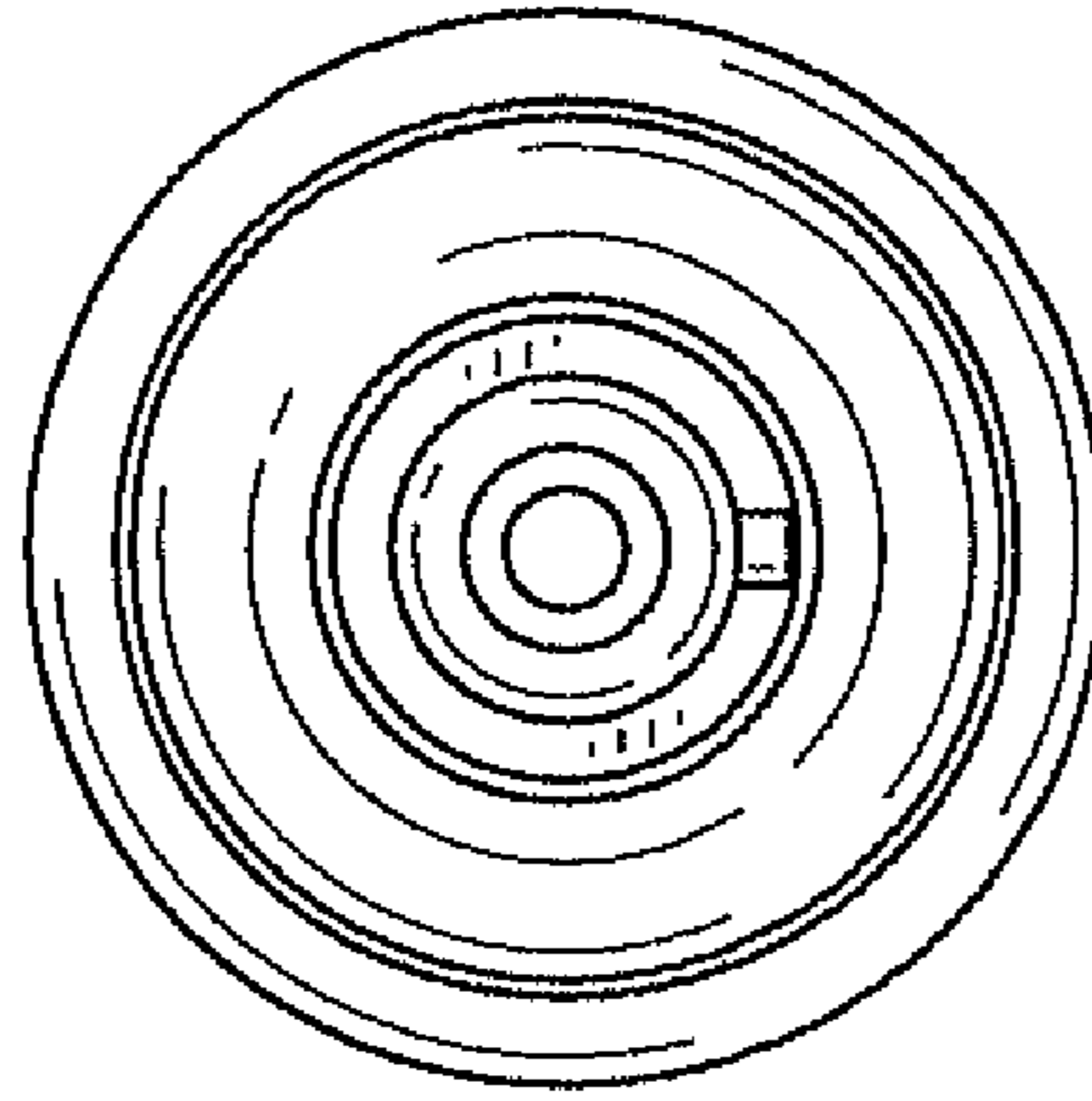


FIG. 6

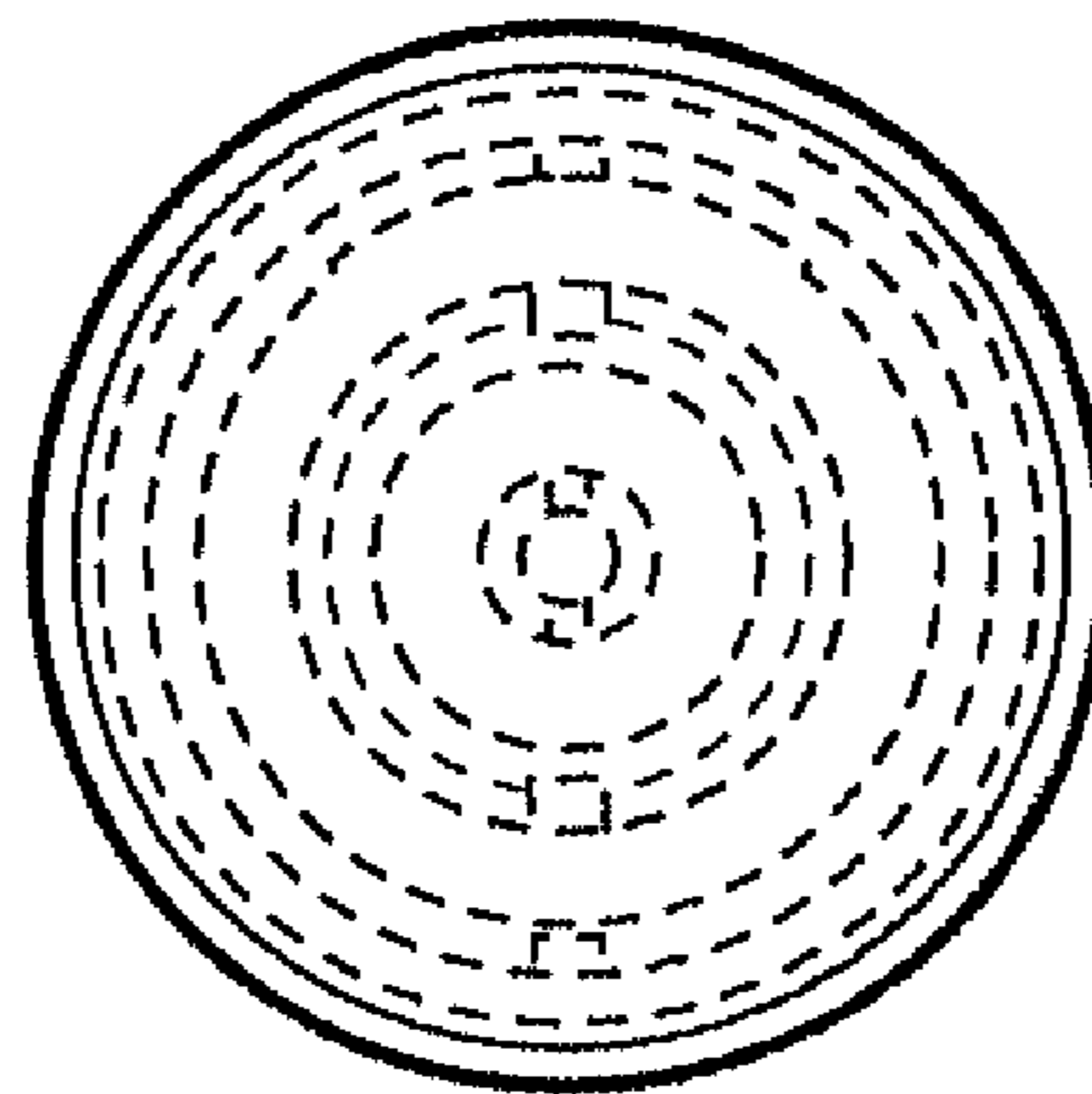


FIG. 7