



US00D674486S

(12) **United States Design Patent**
Onuma

(10) **Patent No.:** **US D674,486 S**
(45) **Date of Patent:** **** Jan. 15, 2013**

- (54) **VIDEO LARYNGOSCOPE**
- (75) Inventor: **Koki Onuma**, Tokyo (JP)
- (73) Assignee: **Pentax Corporation**, Tokyo (JP)
- (**) Term: **14 Years**
- (21) Appl. No.: **29/362,021**
- (22) Filed: **May 19, 2010**

Related U.S. Application Data

- (62) Division of application No. 29/258,348, filed on Apr. 21, 2006, now Pat. No. Des. 618,794.

(30) **Foreign Application Priority Data**

- Oct. 25, 2005 (JP) 2005-031223
- Oct. 25, 2005 (JP) 2005-031224
- Oct. 25, 2005 (JP) 2005-031227
- Oct. 25, 2005 (JP) 2005-031228

- (51) **LOC (9) Cl.** **24-02**
- (52) **U.S. Cl.** **D24/137**
- (58) **Field of Classification Search** D24/133,
D24/137, 140, 138; D16/206; 600/120,
600/109, 131, 160, 179, 103, 112; 128/200.26,
128/207.14-207.17
See application file for complete search history.

(56) **References Cited**

U.S. PATENT DOCUMENTS

- 4,086,919 A 5/1978 Bullard
- D256,469 S * 8/1980 Stemme et al. D16/206
- 4,742,819 A 5/1988 George
- 5,200,772 A 4/1993 Perkins et al.
- 5,373,317 A 12/1994 Salvati et al.
- D358,471 S 5/1995 Cope et al.
- D370,922 S * 6/1996 Onoda et al. D16/208
- D379,514 S 5/1997 Laun et al.
- D410,286 S 5/1999 Tamirisa
- 6,315,712 B1 11/2001 Rovengo
- 6,432,046 B1 * 8/2002 Yarush et al. 600/179
- 6,652,453 B2 11/2003 Smith et al.

- D493,528 S 7/2004 Roberts et al.
- D493,887 S 8/2004 Roberts et al.
- D530,818 S 10/2006 Lin
- D532,026 S 11/2006 Sosniak et al.
- D533,939 S 12/2006 Root et al.
- 7,214,183 B2 5/2007 Miyake
- D559,386 S 1/2008 Pease et al.
- D560,804 S 1/2008 Pease et al.
- 7,422,559 B2 9/2008 Kehoskie et al.
- D581,051 S 11/2008 Melder
- D603,958 S * 11/2009 Schwartz et al. D24/138
- D613,411 S * 4/2010 Collins et al. D24/186
- D615,199 S * 5/2010 Zimmerli et al. D24/137
- D618,346 S * 6/2010 Sisko et al. D24/137
- D618,794 S * 6/2010 Onuma D24/137
- D627,883 S * 11/2010 Hayashi D24/138
- 7,862,173 B1 * 1/2011 Ellman 351/218
- D635,257 S * 3/2011 Ellman D24/137

(Continued)

Primary Examiner — Stella Reid
Assistant Examiner — Carissa C Fitts
(74) *Attorney, Agent, or Firm* — Sughrue Mion, PLLC

(57) **CLAIM**

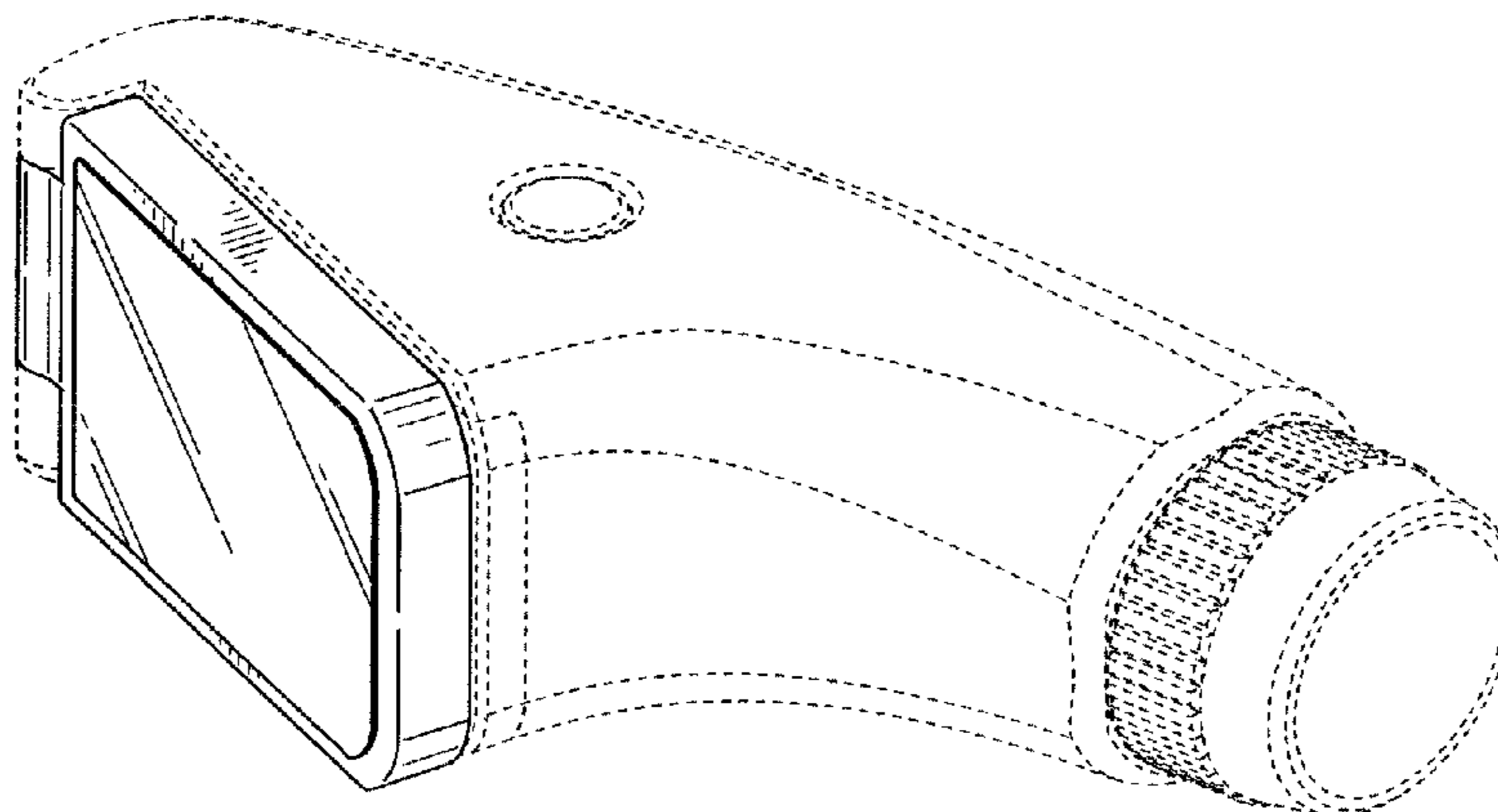
The ornamental design for a video laryngoscope, as shown and described.

DESCRIPTION

FIG. 1 is a perspective view of the front, top and right side of a video laryngoscope showing my new design;
FIG. 2 is a perspective view of the rear, bottom and left side thereof;
FIG. 3 is a front view thereof;
FIG. 4 is a rear view thereof;
FIG. 5 is a left side view thereof;
FIG. 6 is a right side view thereof;
FIG. 7 is a top plan view thereof;
FIG. 8 is a bottom view thereof; and,
FIG. 9 is a top plan reference view of the display being opened thereof.

The elements shown in broken lines are for illustrative purposes only and form no part of the claimed design.

1 Claim, 6 Drawing Sheets



US D674,486 S

Page 2

U.S. PATENT DOCUMENTS

D637,715	S *	5/2011	Clarke et al.	D24/137	2007/0106117	A1 *	5/2007	Yokota	600/120
7,946,981	B1 *	5/2011	Cubb	600/194	2008/0051628	A1 *	2/2008	Pecherer et al.	600/112
7,963,653	B1 *	6/2011	Ellman	351/218	2008/0064926	A1 *	3/2008	Chen	600/110
8,079,951	B2 *	12/2011	Yokota	600/120	2008/0146878	A1 *	6/2008	Frost et al.	600/188
D651,711	S *	1/2012	McGrath et al.	D24/137	2008/0177148	A1 *	7/2008	Chen et al.	600/188
D658,222	S *	4/2012	Elrod et al.	D16/206	2008/0312507	A1 *	12/2008	Kim	600/188
8,157,726	B2 *	4/2012	Melder	600/112	2009/0192350	A1 *	7/2009	Mejia	600/109
2002/0011544	A1 *	1/2002	Bosson	248/121	2010/0101569	A1 *	4/2010	Kim et al.	128/203.12
2002/0022769	A1	2/2002	Smith et al.		2010/0249513	A1 *	9/2010	Tydlaska	600/186
2003/0060226	A1 *	3/2003	Abood et al.	455/550	2011/0270038	A1 *	11/2011	Jiang et al.	600/188
2003/0195390	A1 *	10/2003	Graumann	600/188	2011/0306839	A1 *	12/2011	Young et al.	600/188
2004/0054254	A1 *	3/2004	Miyake	600/104					

* cited by examiner

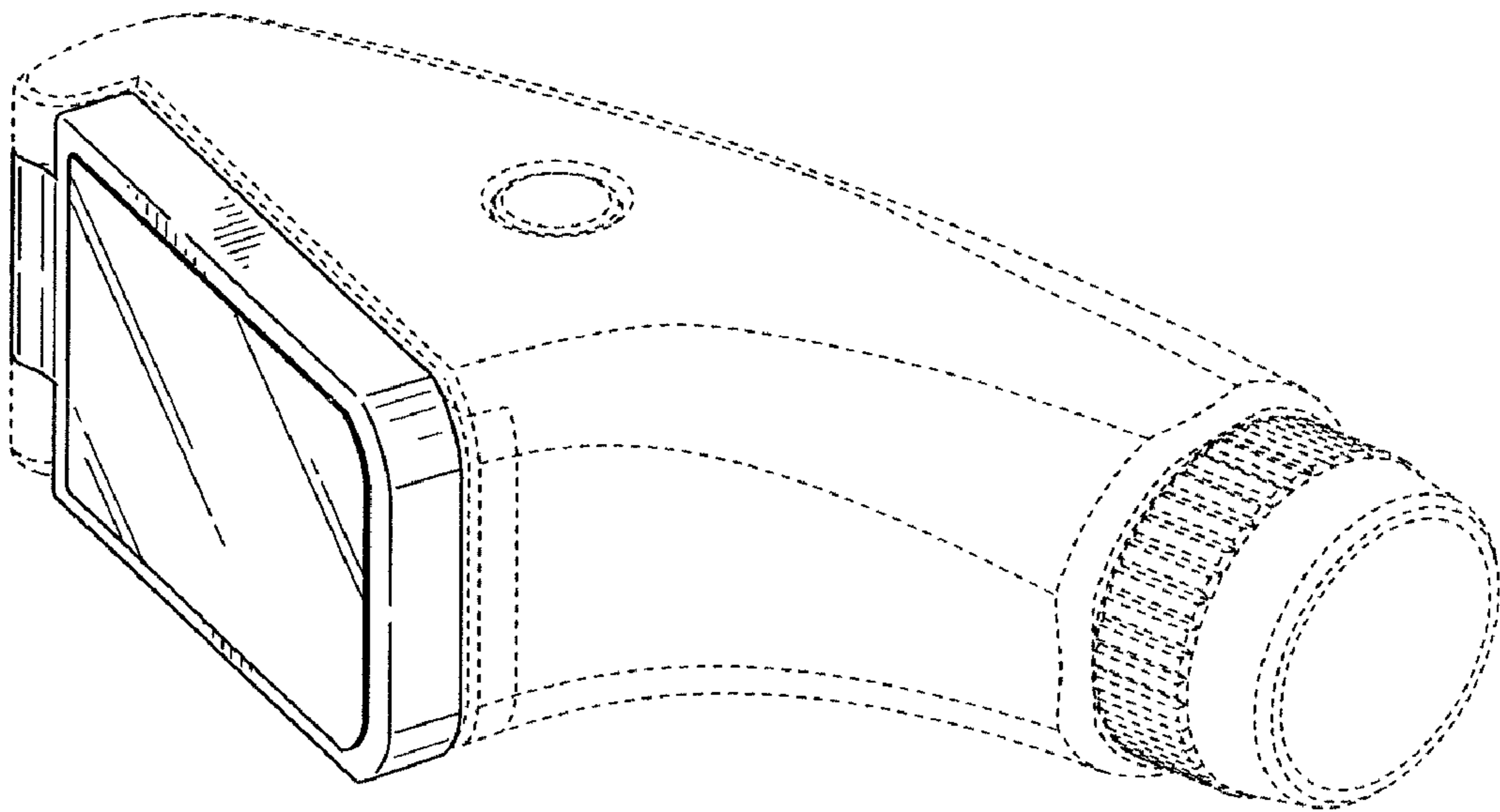


FIG. 1

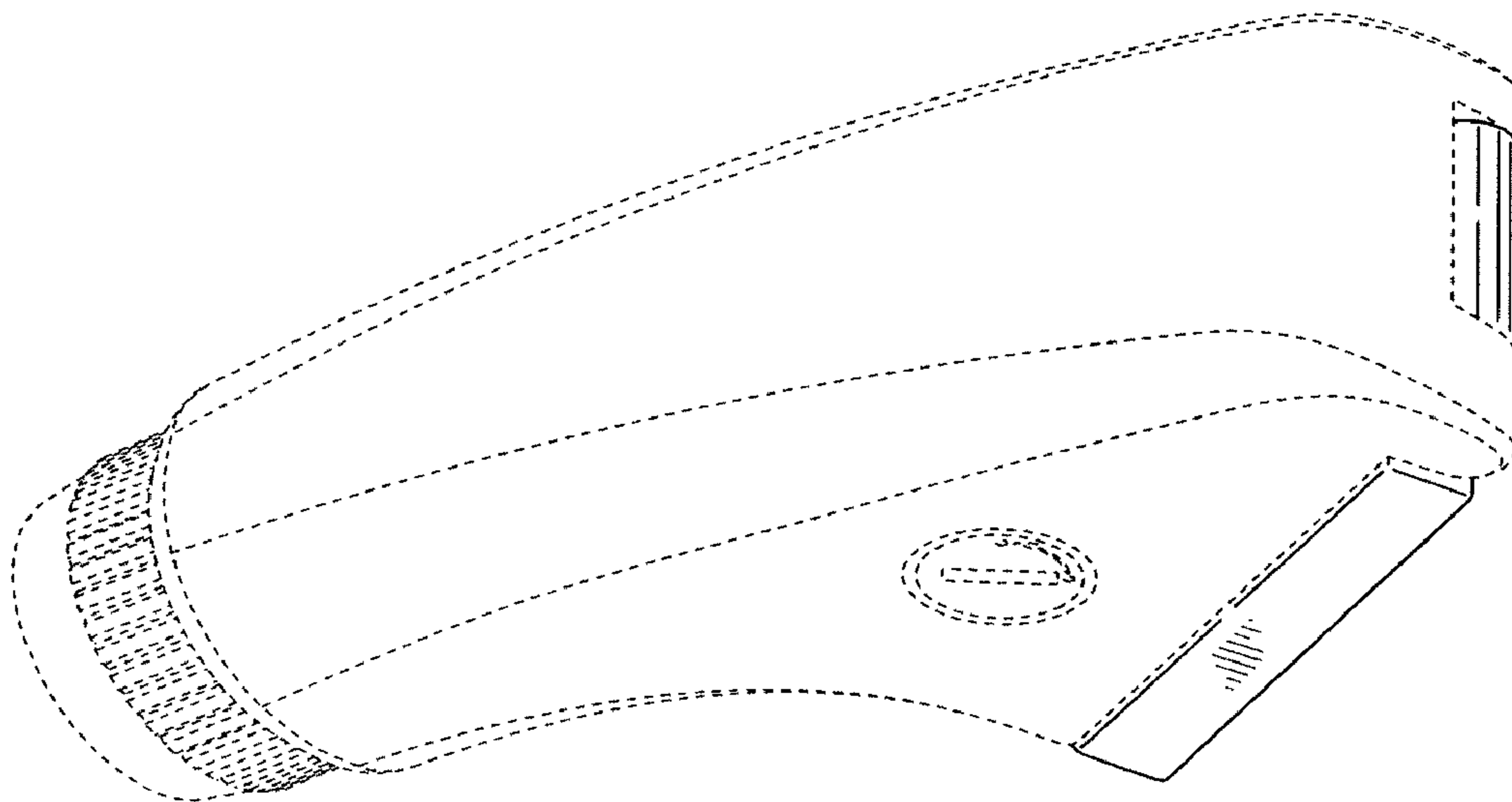


FIG. 2

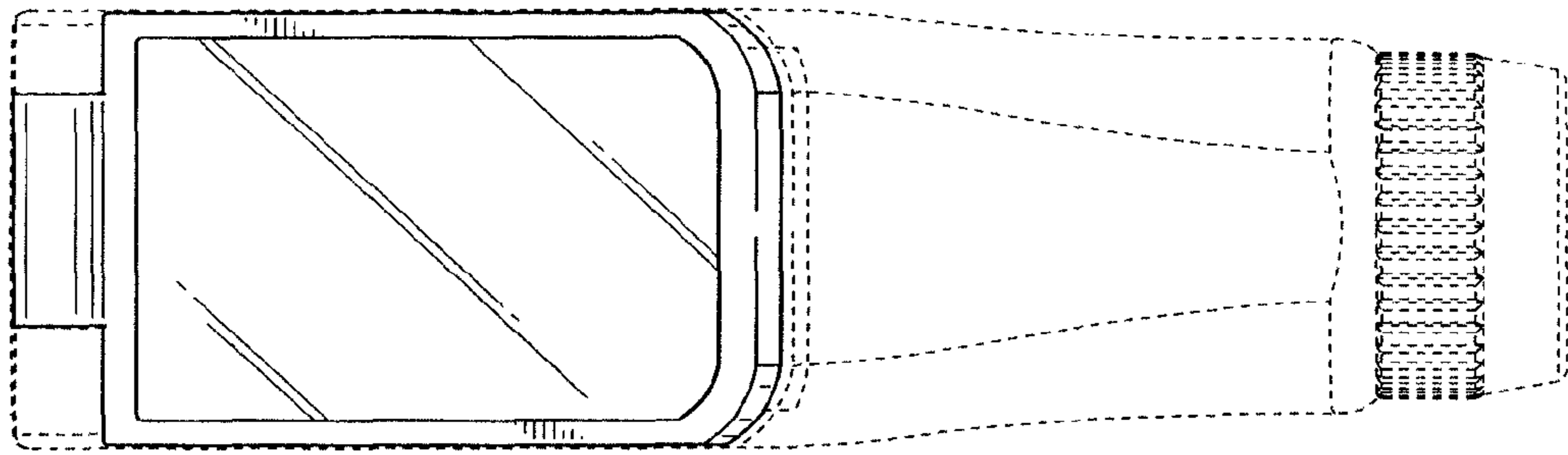


FIG. 3

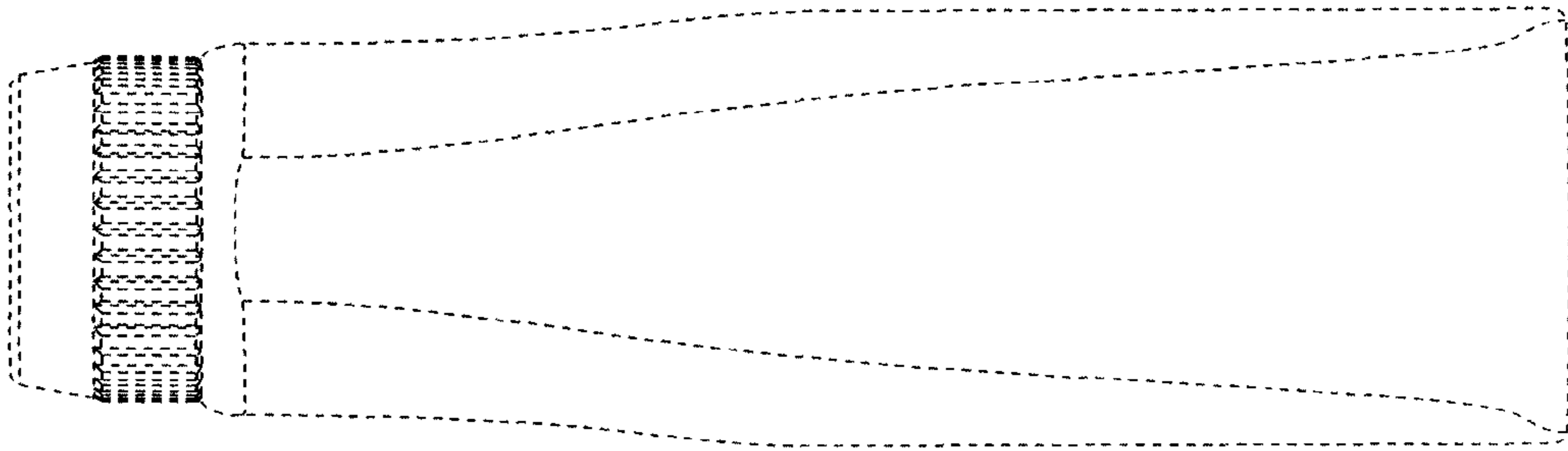


FIG. 4

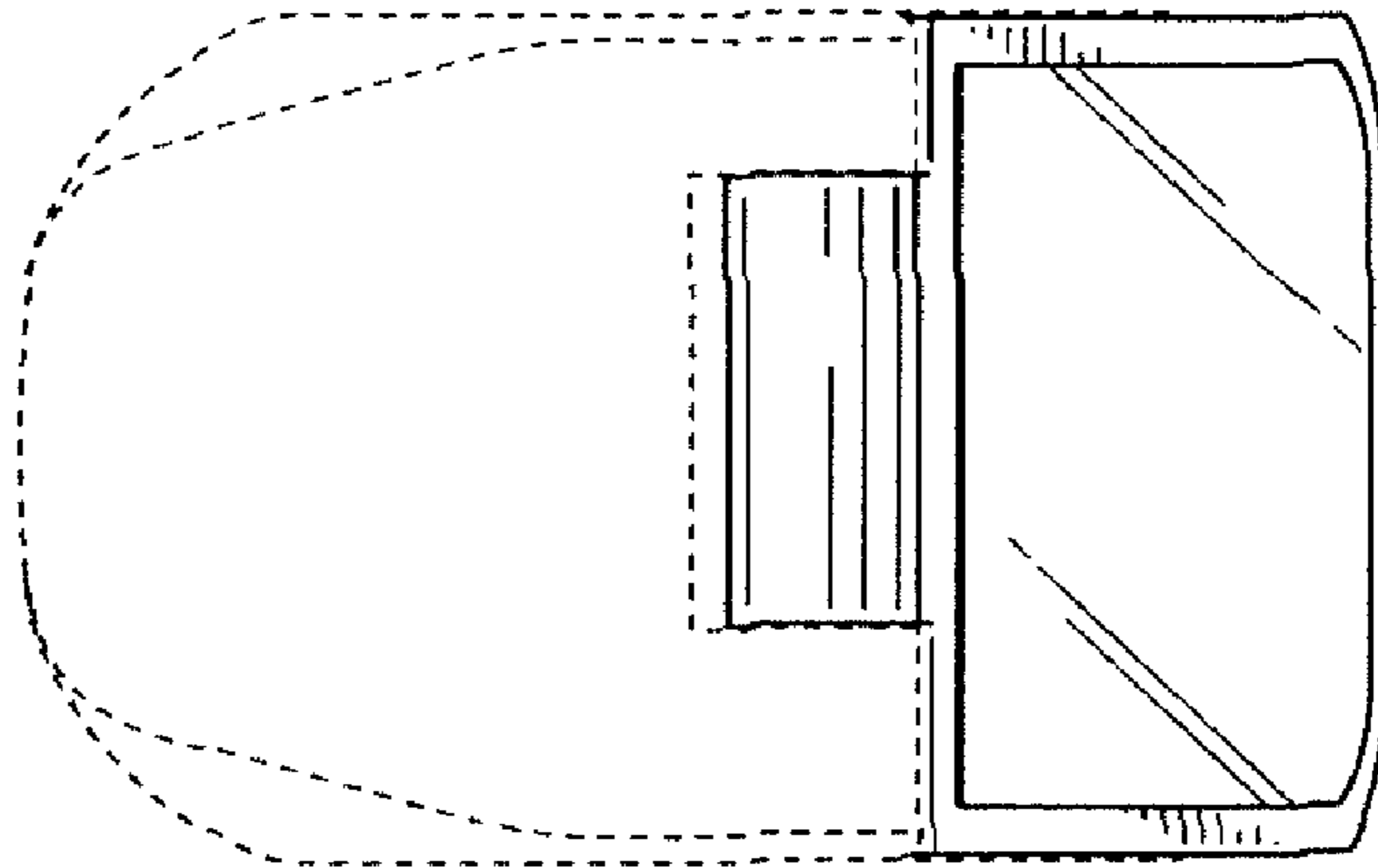


FIG. 5

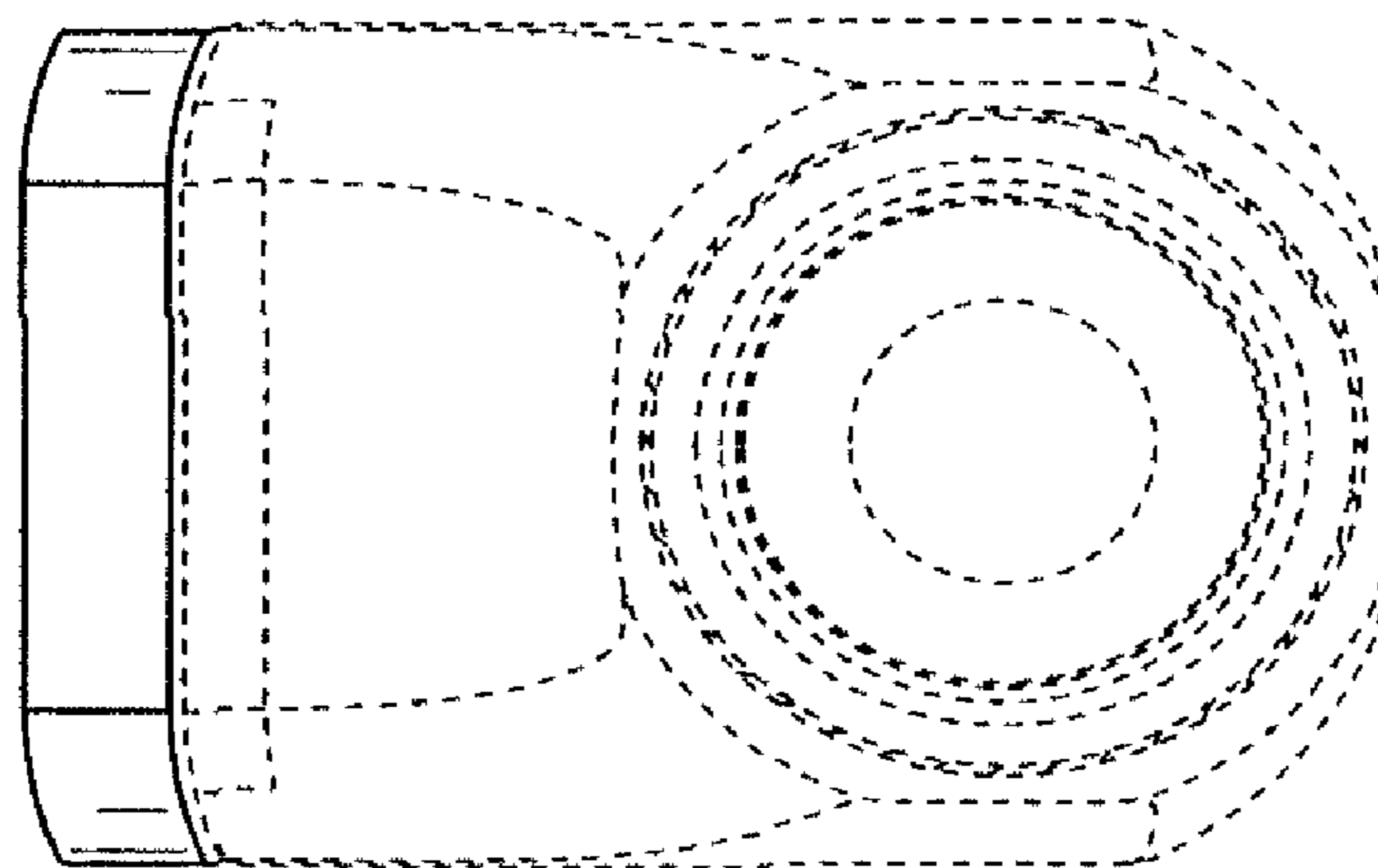


FIG. 6

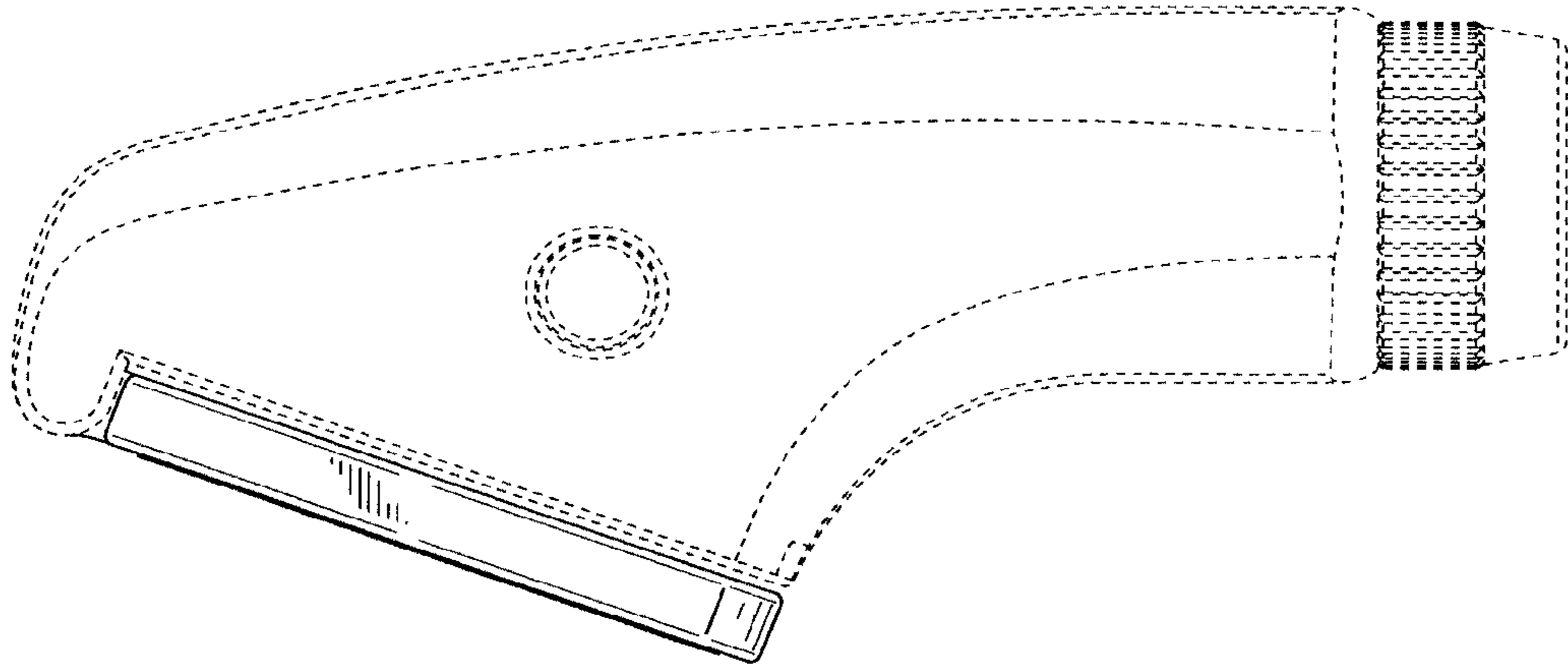


FIG. 7

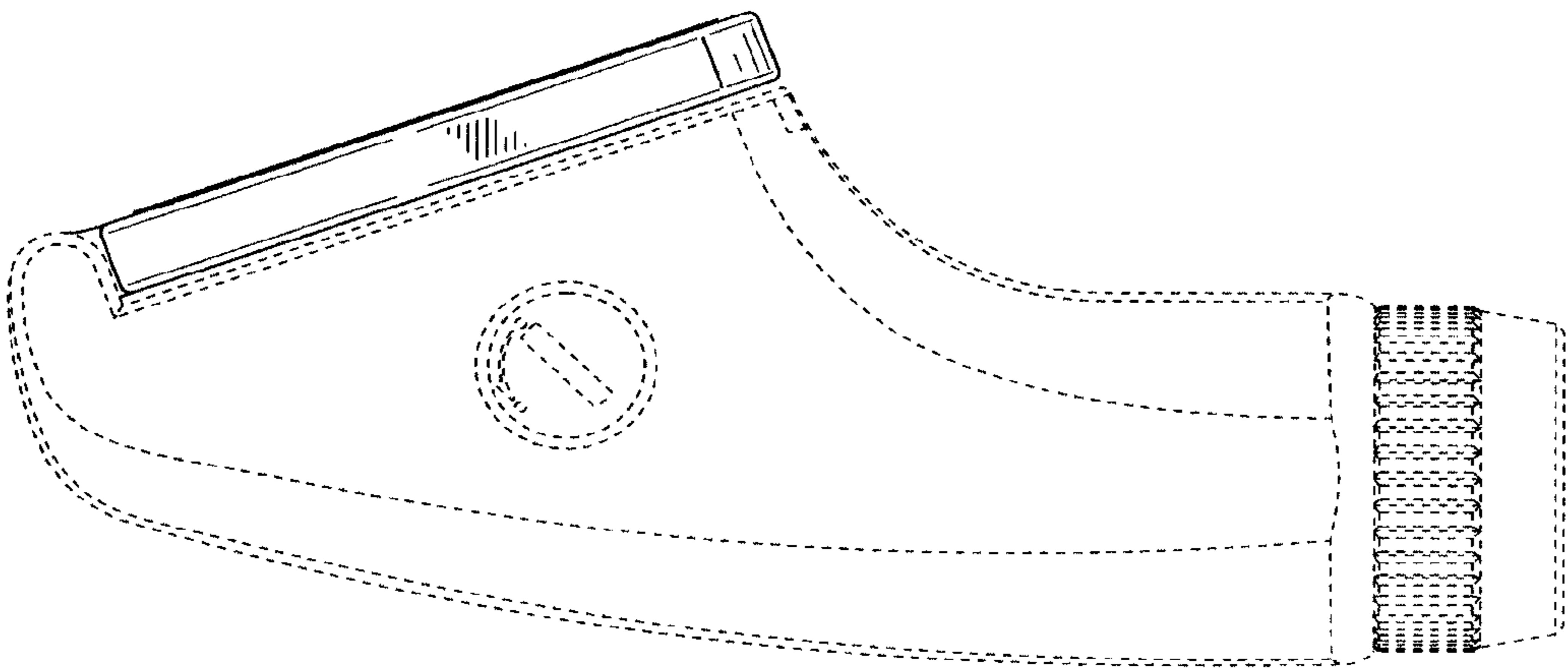


FIG. 8

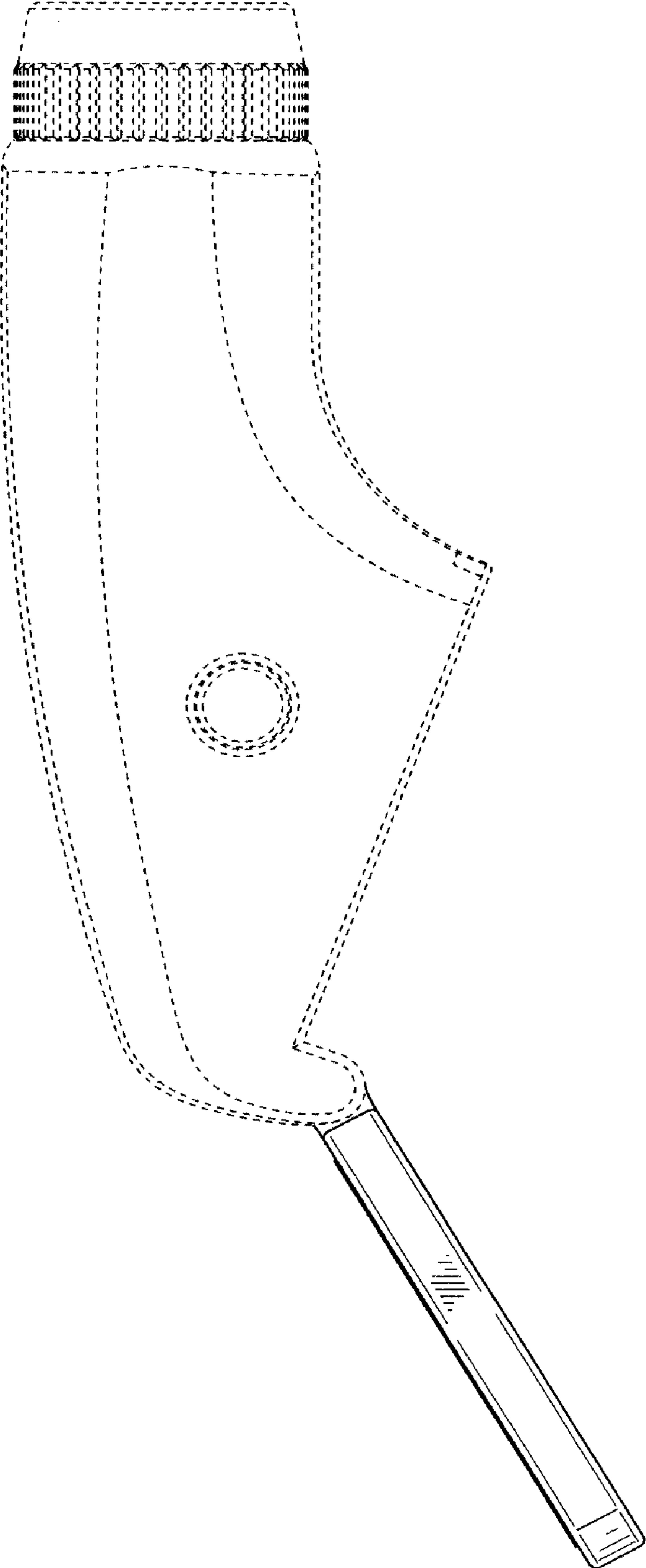


FIG. 9