



US00D674484S

(12) **United States Design Patent**
Murphy et al.

(10) **Patent No.:** **US D674,484 S**
(45) **Date of Patent:** **** Jan. 15, 2013**

(54) **CATHETER SYSTEM CASSETTE**

(56) **References Cited**

(75) Inventors: **John Murphy**, North Reading, MA
(US); **Stephen Guerrero**, Holliston, MA
(US); **Tal Wenderow**, Newton, MA (US)

U.S. PATENT DOCUMENTS

D571,912	S	*	6/2008	Ranalletta et al.	D24/129
7,887,549	B2	*	2/2011	Wenderow et al.	606/108
7,905,853	B2	*	3/2011	Chapman et al.	604/4.01
7,967,773	B2	*	6/2011	Amborn et al.	604/19
2006/0186061	A1	*	8/2006	Briggs et al.	210/787
2008/0000485	A1	*	1/2008	Williams et al.	128/897
2008/0269663	A1	*	10/2008	Arnold et al.	604/19
2010/0292651	A1	*	11/2010	Yodfat et al.	604/189
2010/0318100	A1	*	12/2010	Okamoto et al.	606/130
2011/0004144	A1	*	1/2011	Beiriger et al.	604/6.11

(73) Assignee: **Corindus, Inc.**, Natick, MA (US)

(**) Term: **14 Years**

(21) Appl. No.: **29/427,512**

(22) Filed: **Jul. 19, 2012**

* cited by examiner

Related U.S. Application Data

Primary Examiner — Eric Goodman

(60) Division of application No. 29/378,948, filed on Nov. 11, 2010, now abandoned, and a continuation of application No. 12/626,531, filed on Nov. 25, 2009, and a continuation of application No. PCT/US2009/042720, filed on May 4, 2009.

(74) *Attorney, Agent, or Firm* — Rathe Lindenbaum LLP

(51) **LOC (9) Cl.** **24-02**

(52) **U.S. Cl.** **D24/130**

(58) **Field of Classification Search** D24/127–130;
606/108, 130, 1;
604/164.04, 164.13, 165.01–165.02, 171,
604/510, 528, 19, 95.01, 433–435; 600/585,
600/1.11, 1.12

See application file for complete search history.

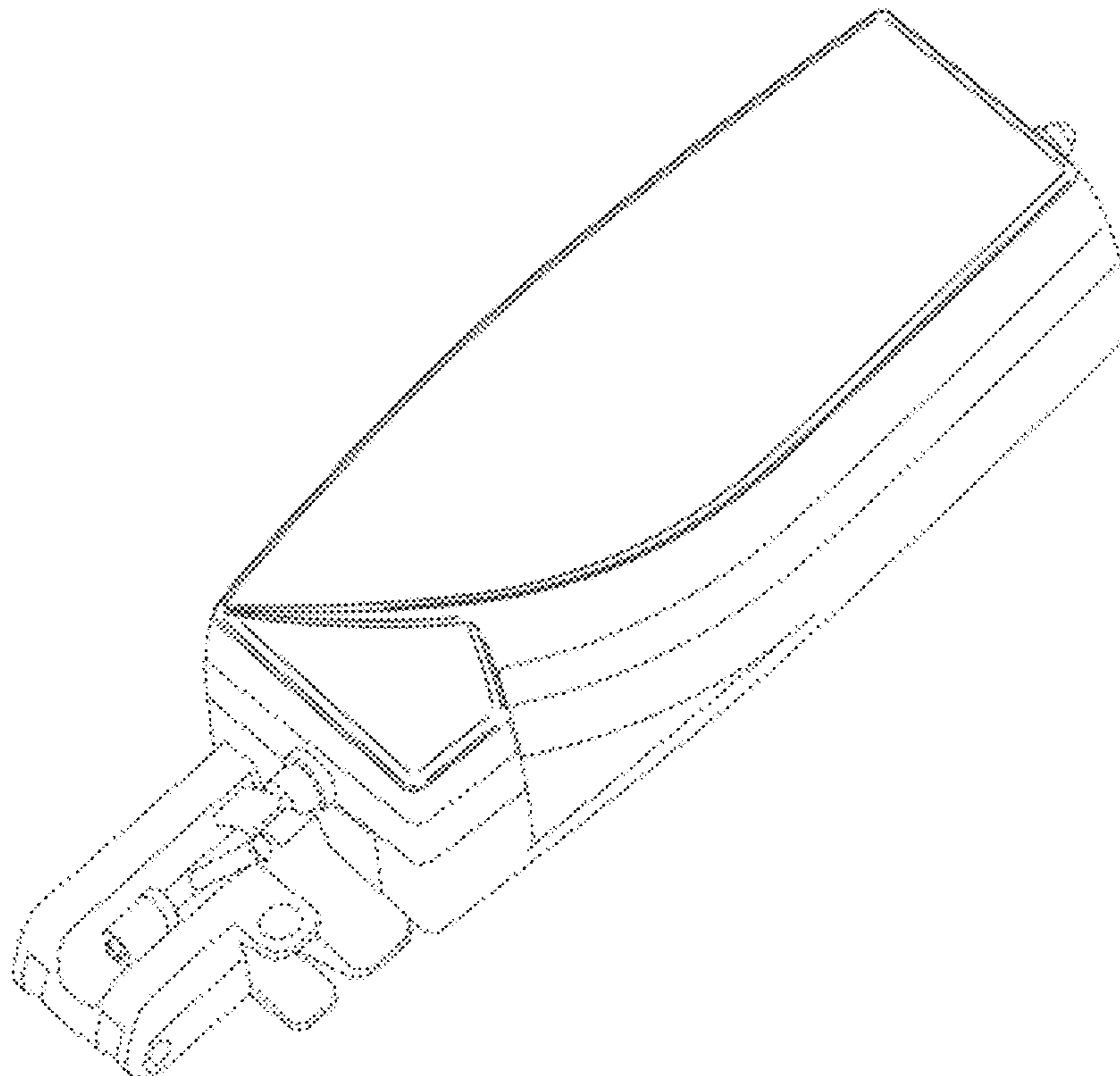
(57) **CLAIM**

We claim the ornamental design for a catheter system cassette, as shown and described.

DESCRIPTION

FIG. 1 is a perspective view from above of an embodiment of the claimed design;
FIG. 2 is a top view of the claimed design of FIG. 1; and,
FIG. 3 is a right-side view of the claimed design of FIG. 1.
The ornamental design which is claimed is shown in solid lines in the drawings. The broken lines in the drawings are for illustrative purposes only and form no part of the claimed design.

1 Claim, 3 Drawing Sheets



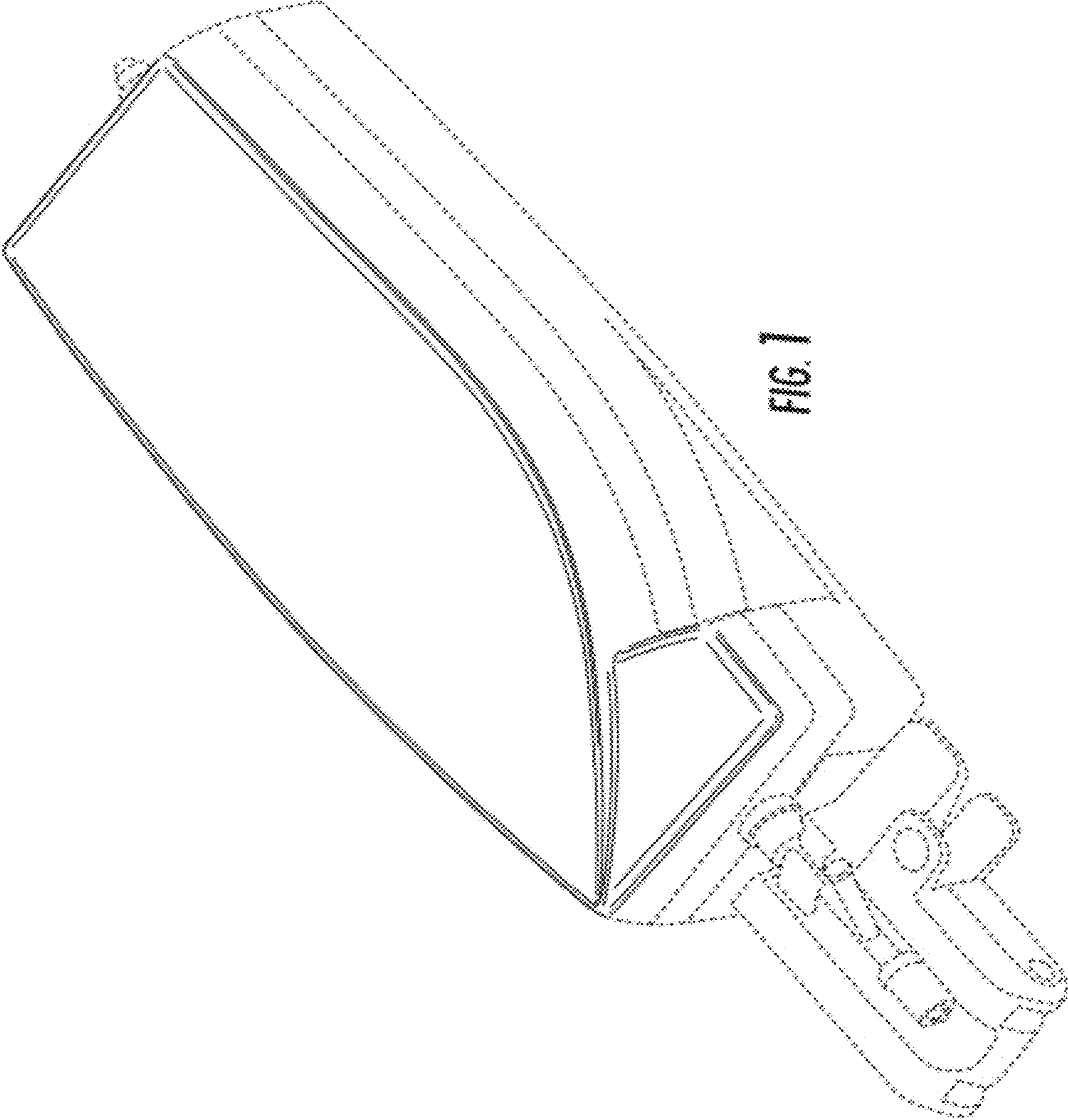


FIG. 1

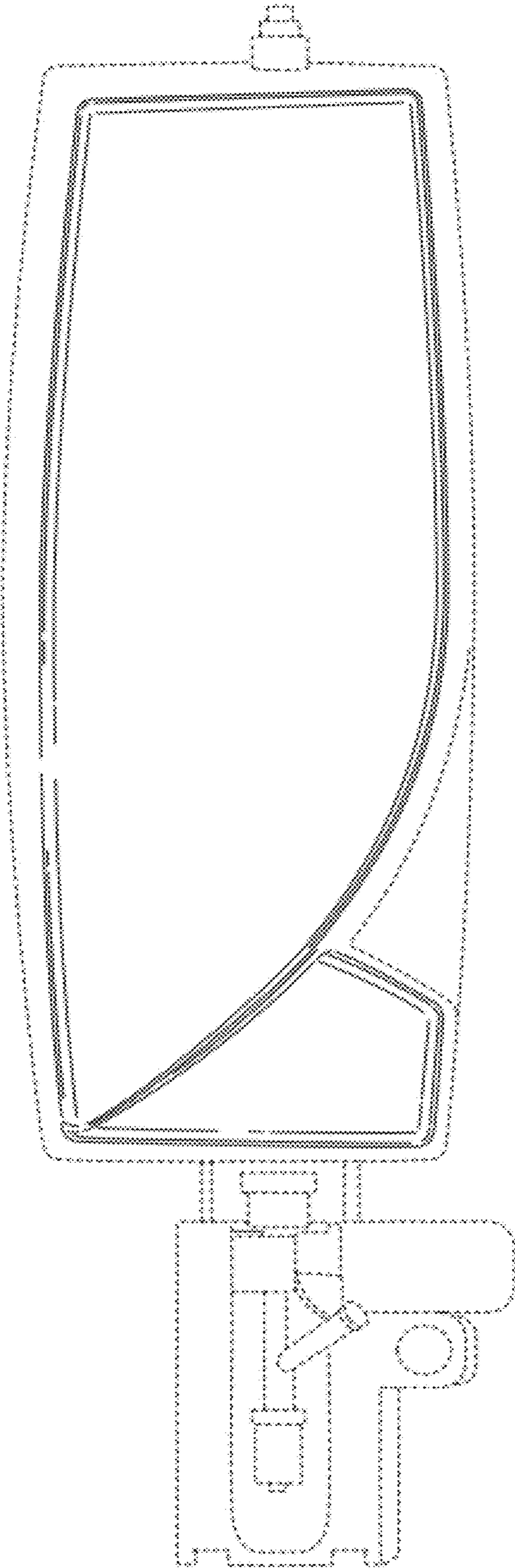


FIG. 2

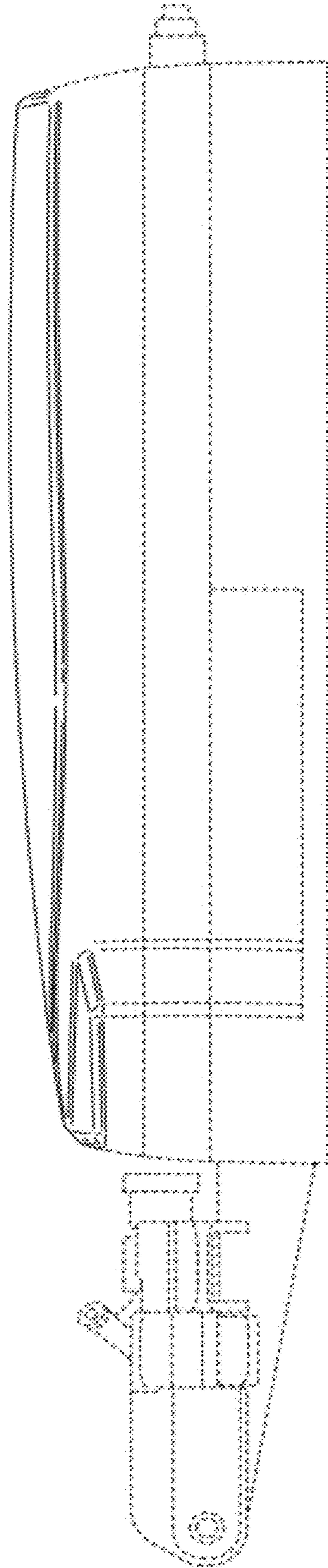


FIG. 3