



US00D674481S

(12) **United States Design Patent**  
**DeCoste**

(10) **Patent No.:** **US D674,481 S**  
(45) **Date of Patent:** **\*\* Jan. 15, 2013**

(54) **UNIT DOSE VIAL**

(75) Inventor: **Peter J DeCoste**, Holbrook, MA (US)

(73) Assignee: **HealthStar, Inc.**, Randolph, MA (US)

(\*\*) Term: **14 Years**

(21) Appl. No.: **29/427,555**

(22) Filed: **Jul. 19, 2012**

**Related U.S. Application Data**

(62) Division of application No. 29/366,335, filed on Jul. 23, 2010, now Pat. No. Des. 666,289.

(51) **LOC (9) Cl.** ..... **24-02**

(52) **U.S. Cl.** ..... **D24/115**

(58) **Field of Classification Search** ..... D24/115,  
D24/117, 223, 226, 224; 222/209, 207, 215,  
222/541.6, 541.4, 541.9; D9/695-699, 529,  
D9/707, 503; 206/528, 568; 604/3, 298;  
215/47, 48; 128/200.24

See application file for complete search history.

(56) **References Cited**

**U.S. PATENT DOCUMENTS**

3,993,233	A	11/1976	Bartell	
D249,958	S *	10/1978	Meierhoefer	D24/117
4,502,616	A *	3/1985	Meierhoefer	222/215
D309,097	S	7/1990	Price	
D312,209	S	11/1990	Morrow et al.	
D312,212	S *	11/1990	Pavlinac	D9/696
5,009,309	A *	4/1991	Hansen	206/568
D330,160	S	10/1992	Umekawa	
D345,211	S *	3/1994	Bologna	D9/696
5,409,125	A	4/1995	Kimber et al.	
D362,390	S	9/1995	Weiler	
D369,212	S	4/1996	Snell	
D379,663	S	6/1997	Pearson et al.	
D392,184	S	3/1998	Weiler	

D417,848	S *	12/1999	Marshall	D9/503
6,173,852	B1	1/2001	Browne	
6,234,333	B1 *	5/2001	Federighi et al.	215/48
6,241,124	B1 *	6/2001	Hoyt	222/215
D469,867	S *	2/2003	Masuda et al.	D24/115
D492,028	S	6/2004	Masuda et al.	
D492,029	S *	6/2004	Masuda et al.	D24/115
D492,406	S	6/2004	Masuda et al.	
D492,407	S	6/2004	Masuda et al.	
6,860,405	B1 *	3/2005	Poynter	222/209
D515,936	S	2/2006	Ko	
D517,207	S	3/2006	Poynter	
D518,891	S	4/2006	Strong	
D534,648	S	1/2007	Zahn et al.	

(Continued)

**OTHER PUBLICATIONS**

Romelag Product No. 2048 Ampule, Jun. 6, 1990.

(Continued)

*Primary Examiner* — David Muller

(74) *Attorney, Agent, or Firm* — Altman & Martin; Steven K Martin

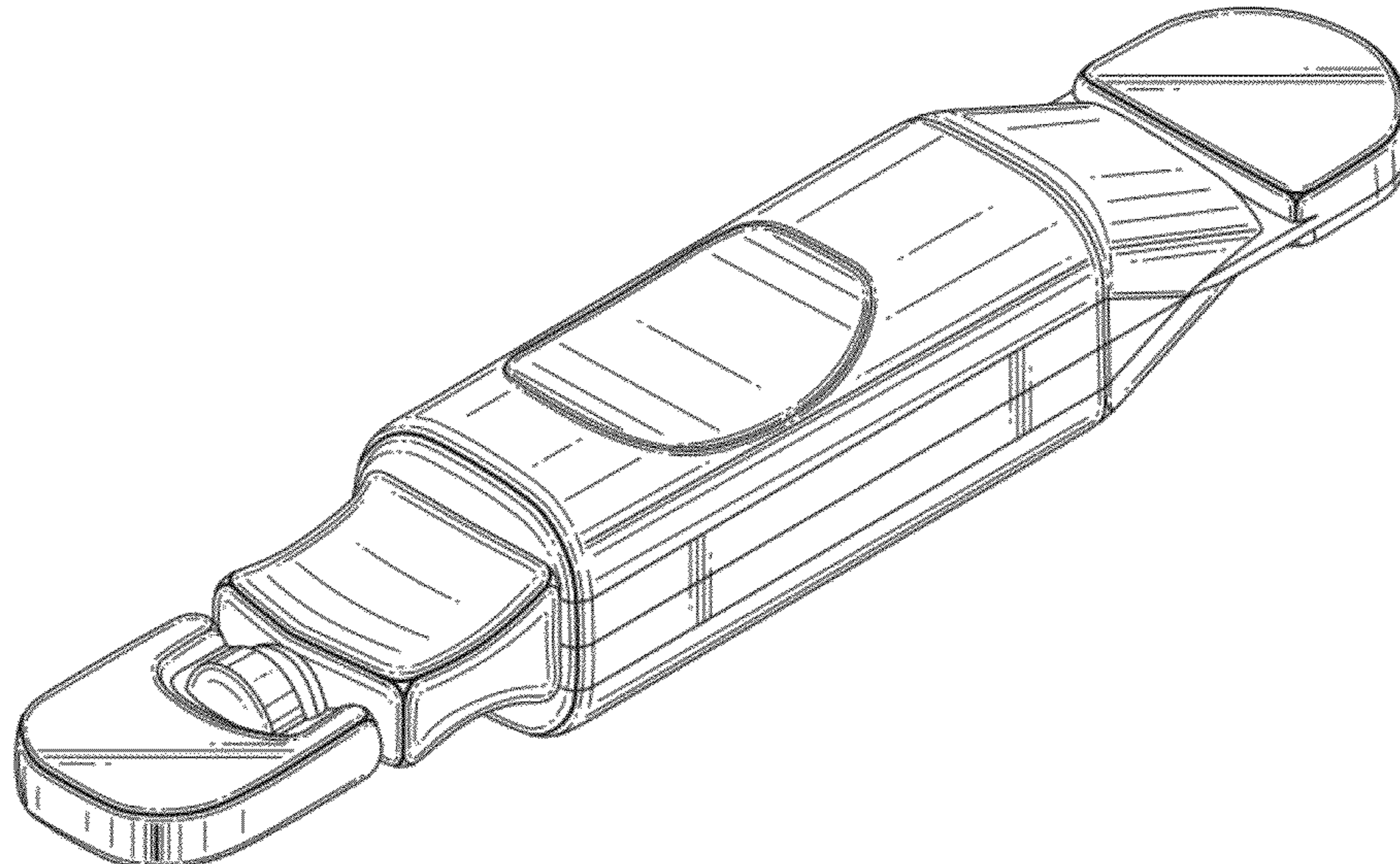
(57) **CLAIM**

The ornamental design for the unit dose vial, substantially as shown and described.

**DESCRIPTION**

FIG. 1 is an isometric view showing the unit dose vial of my new design;  
FIG. 2 is a top plan view of the unit dose vial, the bottom plan view being the same;  
FIG. 3 is a side elevational view the unit dose vial, the opposite side elevational view being the same;  
FIG. 4 is an end elevational view of the unit dose vial; and,  
FIG. 5 is an end elevational view of the the unit dose vial of the end opposite the end shown in FIG. 4.

**1 Claim, 4 Drawing Sheets**



# US D674,481 S

Page 2

---

## U.S. PATENT DOCUMENTS

D539,903 S 4/2007 Strong  
D544,644 S 6/2007 Hartstock et al.  
D544,958 S 6/2007 Wurtz et al.  
D547,860 S \* 7/2007 Zahn et al. .... D24/117  
D551,760 S 9/2007 Zahn et al.  
D565,193 S 3/2008 Price  
D571,002 S 6/2008 Starnes  
7,487,894 B2 \* 2/2009 Zahn et al. .... 222/541.9

D641,642 S 7/2011 Caldwell et al.  
2008/0083691 A1 4/2008 Poynter et al.

## OTHER PUBLICATIONS

Romelag Drawing No. 3682A-A25B60, Jun. 13, 2007.

Romelag Drawing No. 3682A-A09B60, Jun. 13, 2007.

\* cited by examiner

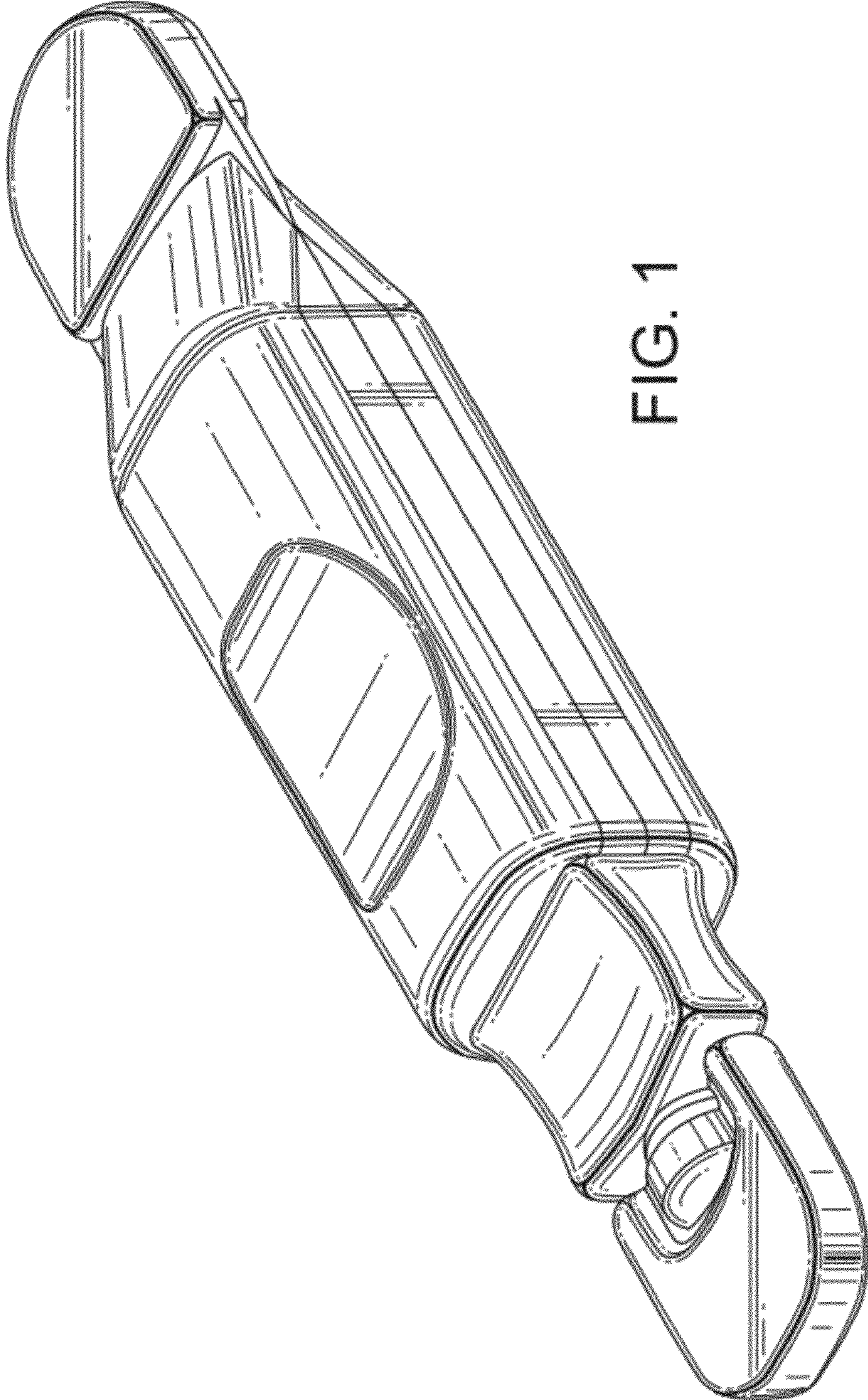


FIG. 1

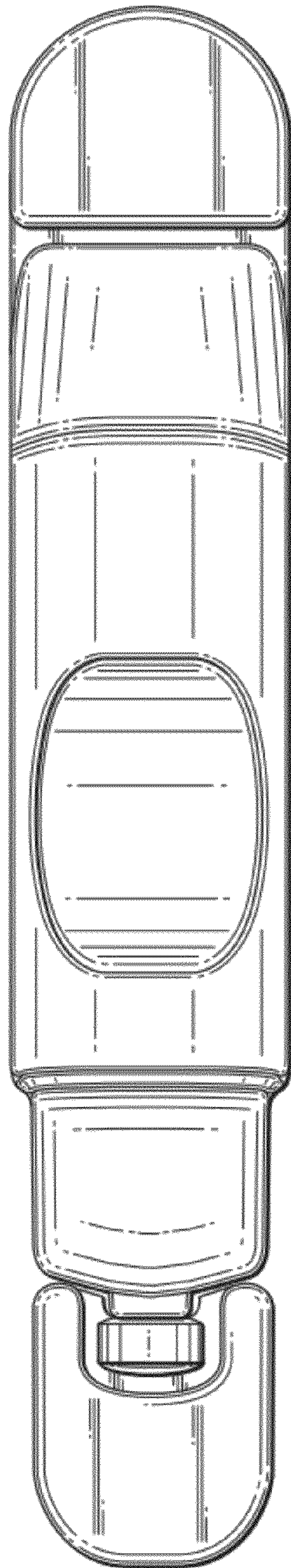


FIG. 2

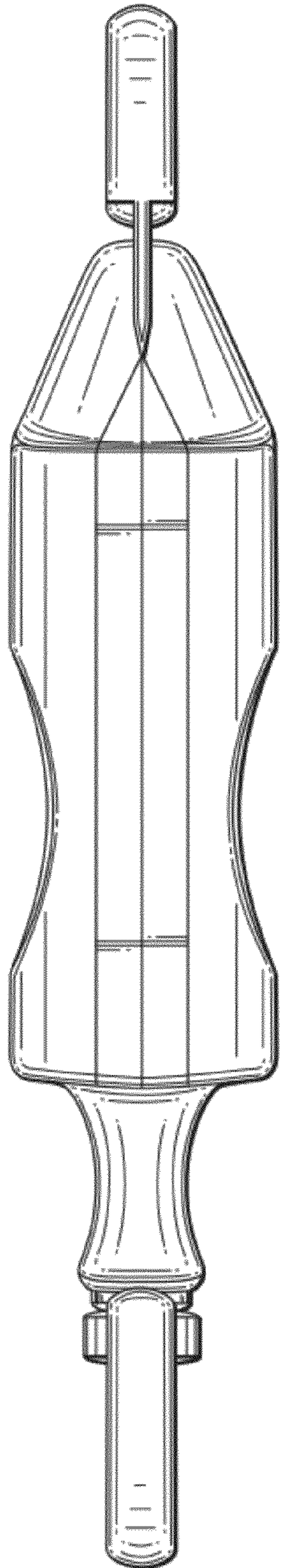


FIG. 3

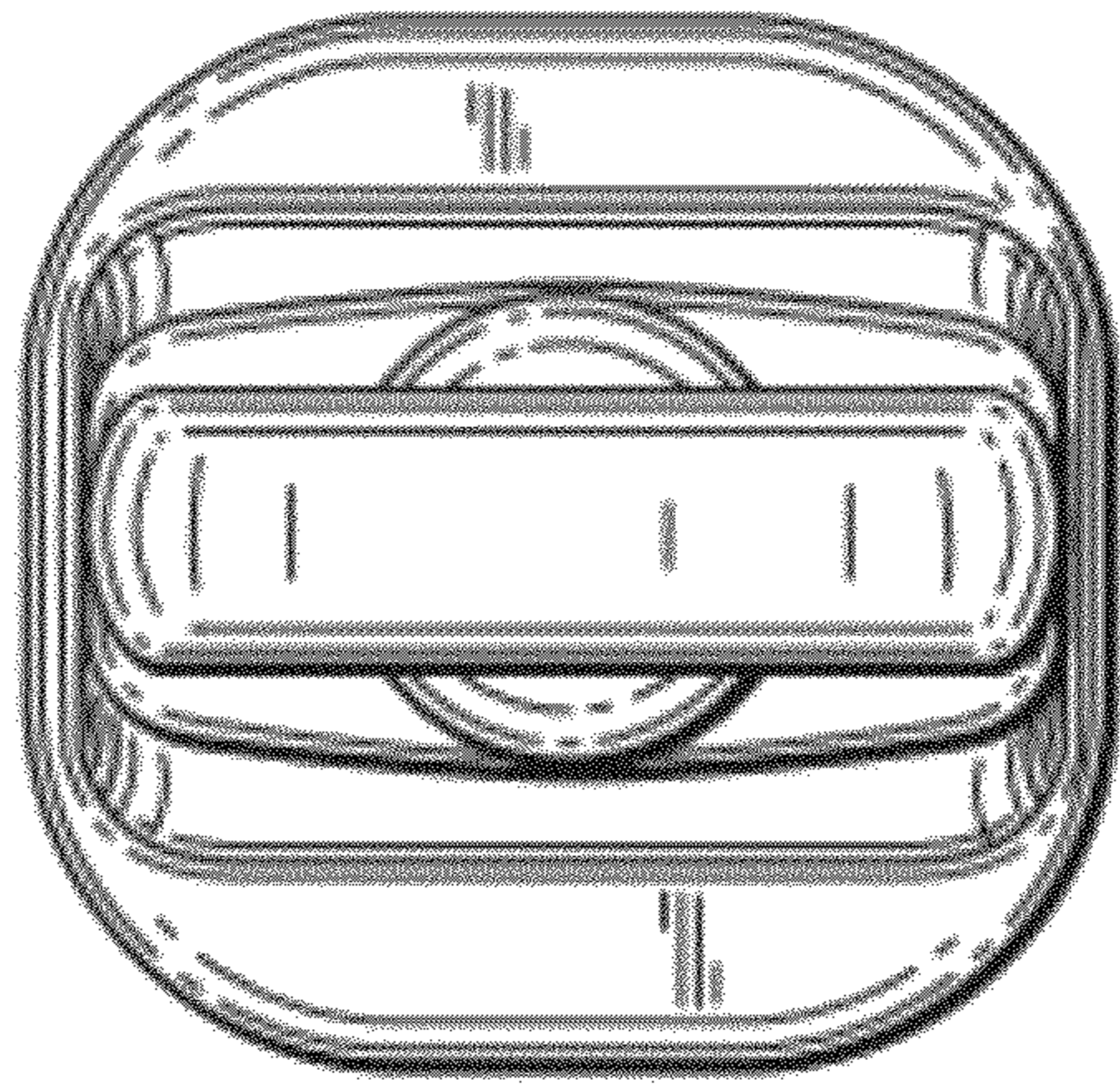


FIG. 4

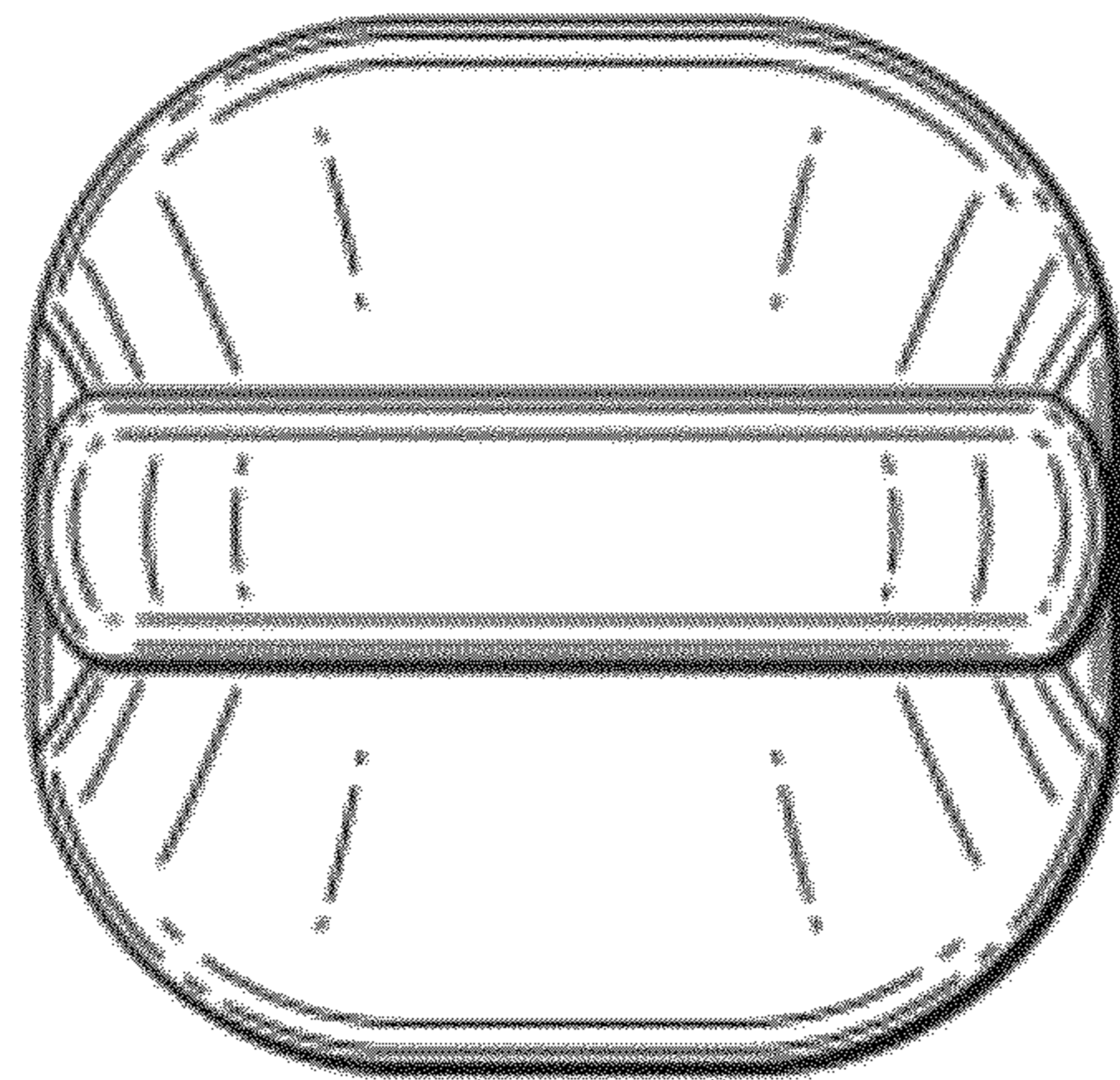


FIG. 5