



US00D674480S

(12) **United States Design Patent**
Prentice et al.

(10) **Patent No.:** **US D674,480 S**
(45) **Date of Patent:** **** Jan. 15, 2013**

(54) **NASAL PILLOW**

(75) Inventors: **Craig Robert Prentice**, Auckland (NZ);
Alastair Edwin McAuley, Auckland
(NZ); **Rory Alexander Monro**,
Auckland (NZ); **Nadjean Maurice**
Gabriel Geslain, Auckland (NZ); **Isaac**
Tristram Tane Mason, Auckland (NZ)

(73) Assignee: **Fisher & Paykel Healthcare Limited**,
Auckland (NZ)

(**) Term: **14 Years**

(21) Appl. No.: **29/393,461**

(22) Filed: **Jun. 3, 2011**

Related U.S. Application Data

(63) Continuation of application No. 29/326,077, filed on
Oct. 10, 2008, now Pat. No. Des. 639,418.

(51) **LOC (9) Cl.** **29-02**

(52) **U.S. Cl.** **D24/110.1; D24/110.4**

(58) **Field of Classification Search** D24/110.1,
D24/110.4, 110.5, 110.6; 128/207.18, 207.11,
128/206.11, 206.21, 205.25

See application file for complete search history.

(56) **References Cited**

U.S. PATENT DOCUMENTS

4,782,832	A	11/1988	Trimble et al.	
6,119,694	A	9/2000	Correa et al.	
6,595,215	B2	7/2003	Wood	
6,907,882	B2	6/2005	Ging et al.	
D533,269	S	12/2006	McAuley et al.	
D542,912	S	5/2007	Gunaratnam et al.	
D551,340	S	9/2007	Wood et al.	
D562,976	S *	2/2008	Guney et al.	D24/110.1
D586,907	S	2/2009	Judson et al.	
D586,911	S	2/2009	McAuley et al.	
D588,258	S *	3/2009	Judson et al.	D24/110.1
D589,139	S *	3/2009	Guney et al.	D24/110.1
D589,140	S	3/2009	Guney et al.	
D591,419	S	4/2009	Chandran et al.	
D612,933	S	3/2010	Prentice et al.	

D612,934	S	3/2010	Prentice et al.	
D623,288	S	9/2010	Lubke et al.	
D627,059	S	11/2010	Wood et al.	
D639,418	S	6/2011	Prentice et al.	
D645,557	S *	9/2011	Scheiner et al.	D24/110.1
2002/0096178	A1 *	7/2002	Ziaee	128/207.18
2003/0172936	A1	9/2003	Wilkie et al.	
2004/0226566	A1	11/2004	Gunaratnam et al.	
2005/0028821	A1	2/2005	Wood et al.	
2005/0235999	A1	10/2005	Wood et al.	
2006/0060200	A1	3/2006	Ho et al.	
2006/0196511	A1	9/2006	Lau et al.	
2007/0089749	A1	4/2007	Ho et al.	
2008/0172936	A1	7/2008	Boon et al.	
2010/0000534	A1 *	1/2010	Kooij et al.	128/207.13
2010/0000537	A1	1/2010	McAuley et al.	
2011/0259340	A1 *	10/2011	Witt et al.	128/207.18

FOREIGN PATENT DOCUMENTS

WO WO 2007/041786 4/2007

* cited by examiner

Primary Examiner — Richard E Chilcot

(74) *Attorney, Agent, or Firm* — Knobbe, Martens, Olson &
Bear, LLP

(57) **CLAIM**

We claim the ornamental design for a nasal pillow, as shown
and described.

DESCRIPTION

FIG. 1 is a top perspective view of a nasal pillow of our
design;

FIG. 2 is a bottom perspective view of the nasal pillow of FIG.
1;

FIG. 3 is a front elevational view thereof;

FIG. 4 is a rear elevational view thereof;

FIG. 5 is a right side elevational view thereof;

FIG. 6 is a left side elevational view thereof;

FIG. 7 is a left side perspective view thereof;

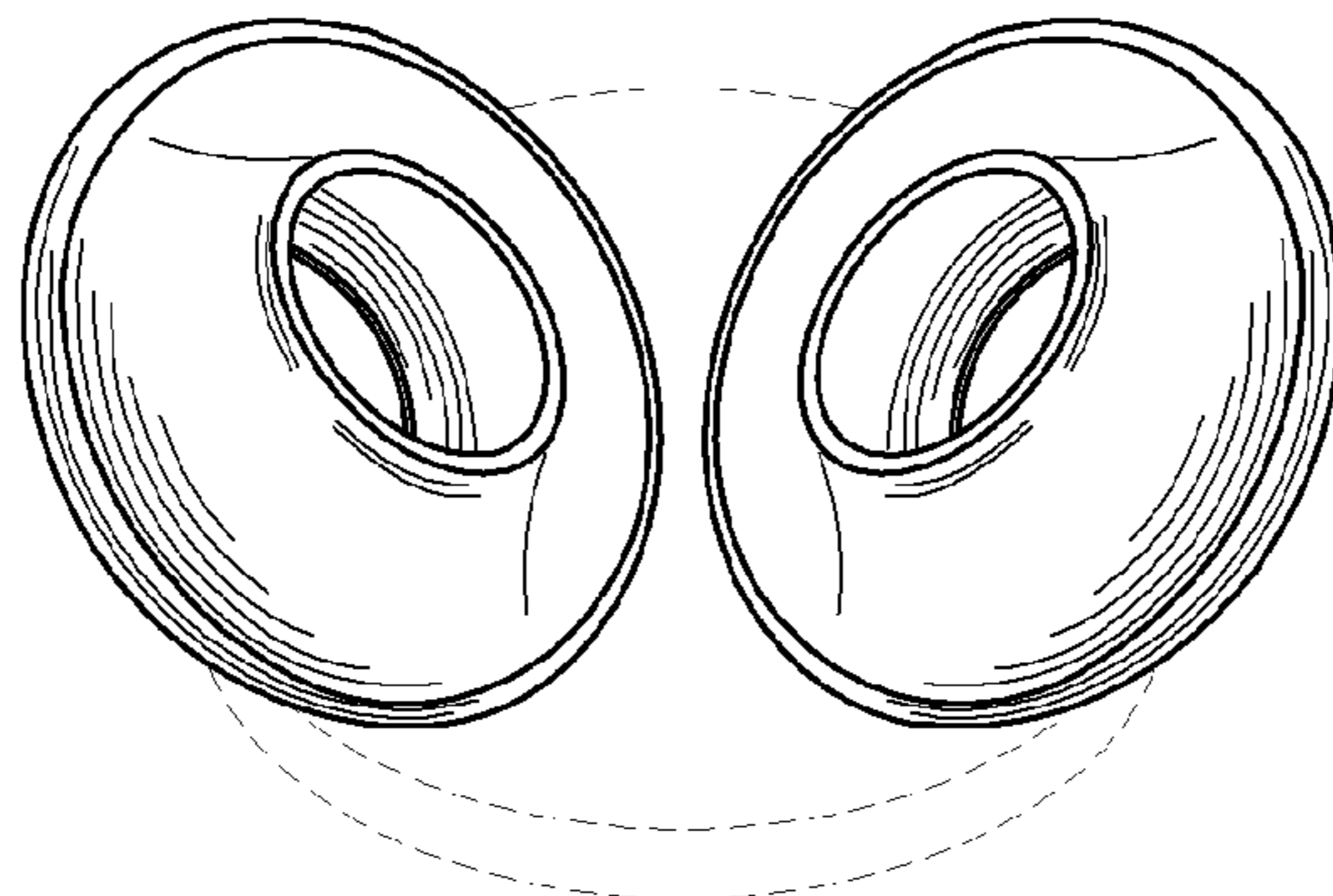
FIG. 8 is a rear side perspective view thereof;

FIG. 9 is a right side perspective view thereof; and,

FIG. 10 is a front perspective view thereof.

The broken lines, where shown, are for illustrative purposes
only and form no part of the claimed design.

1 Claim, 10 Drawing Sheets



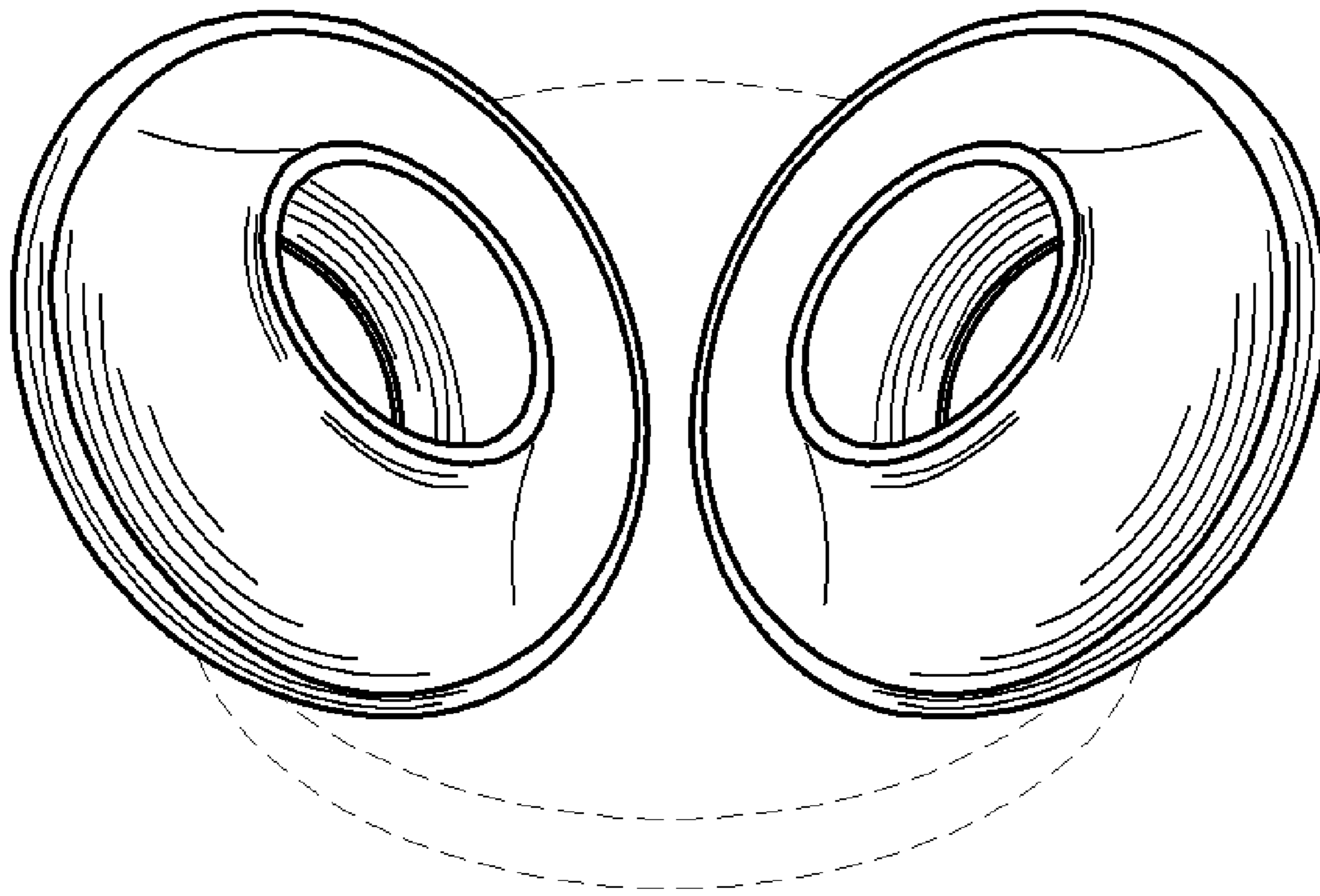


FIG. 1

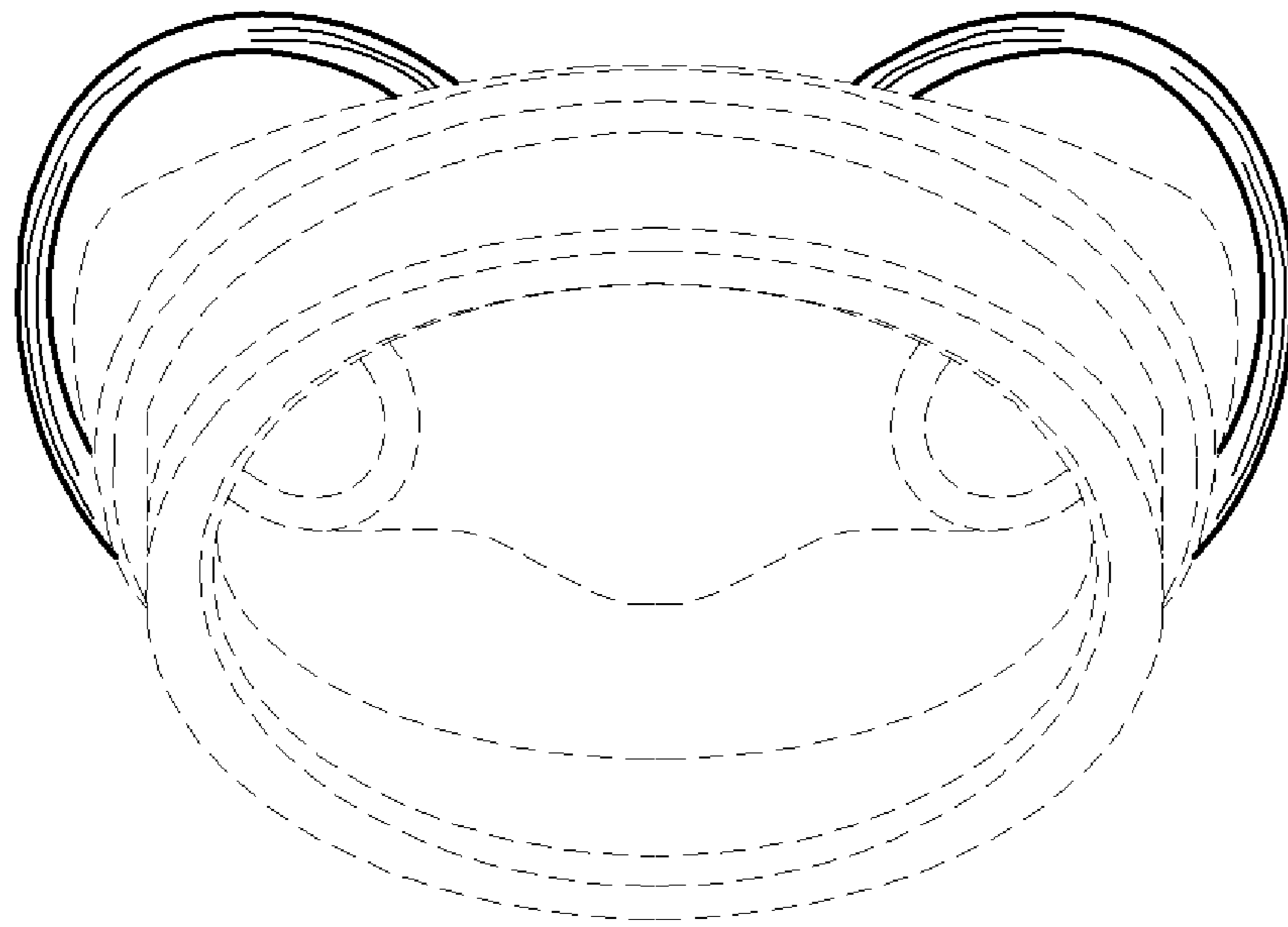


FIG. 2

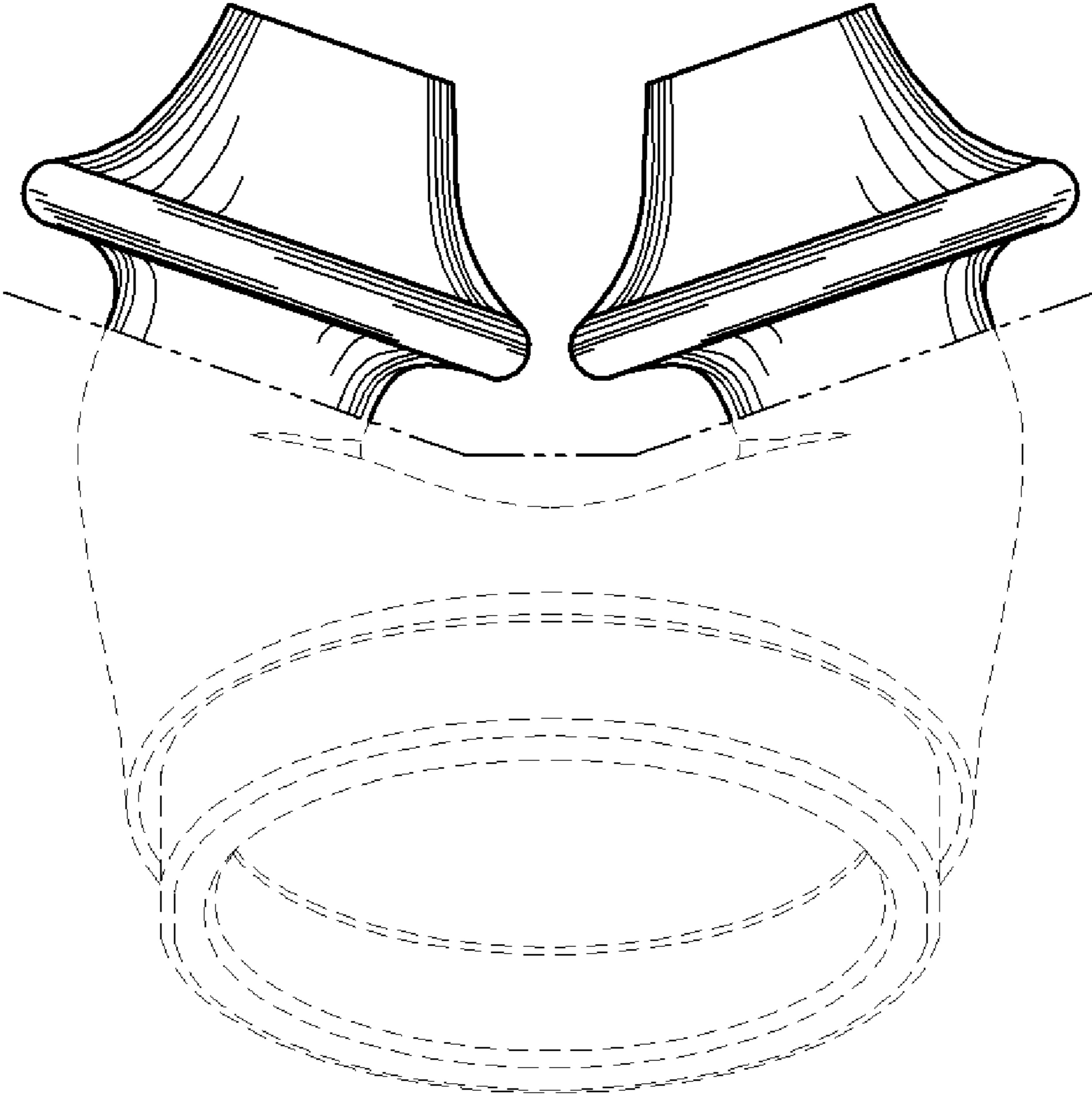


FIG. 3

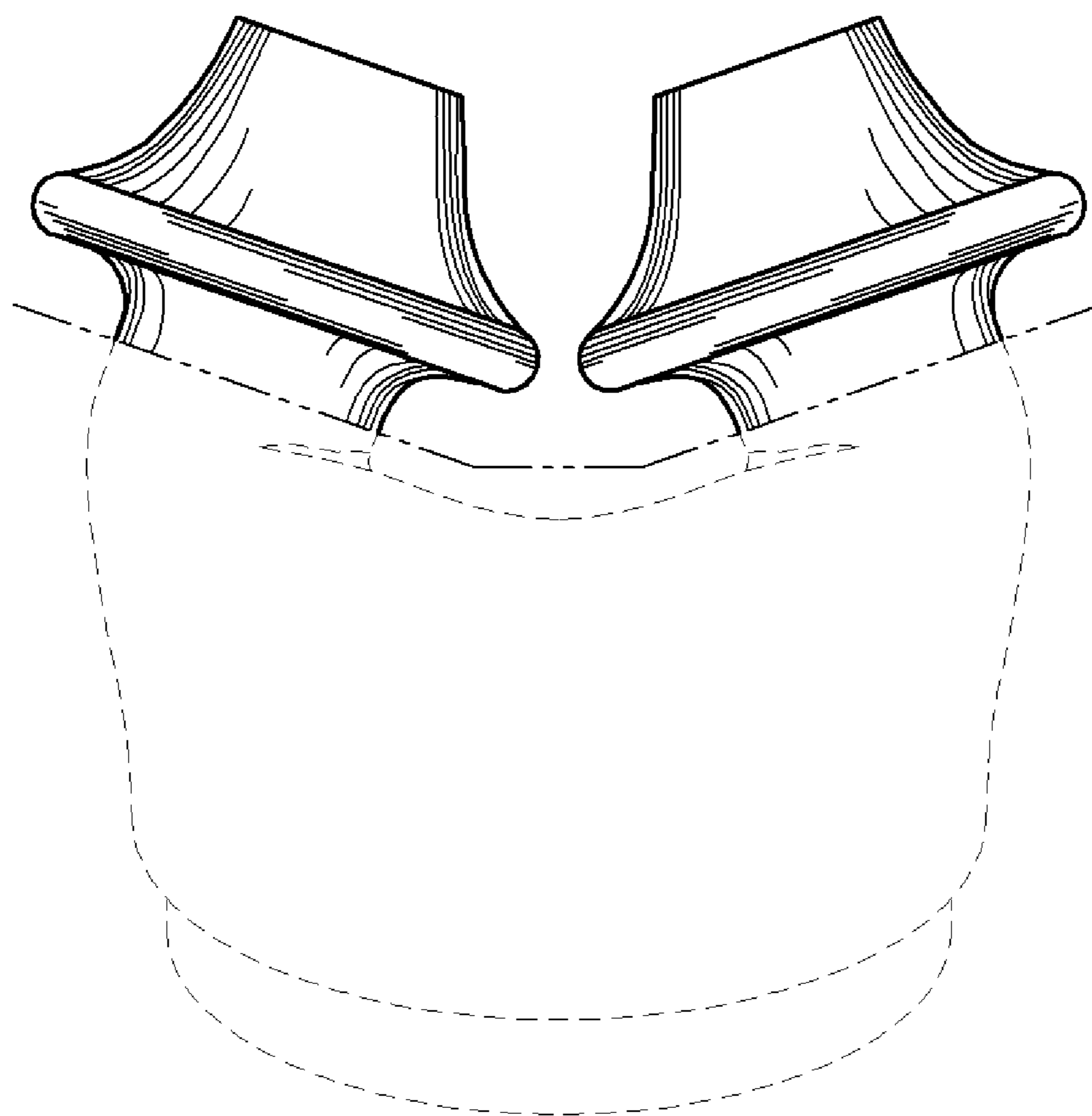


FIG. 4

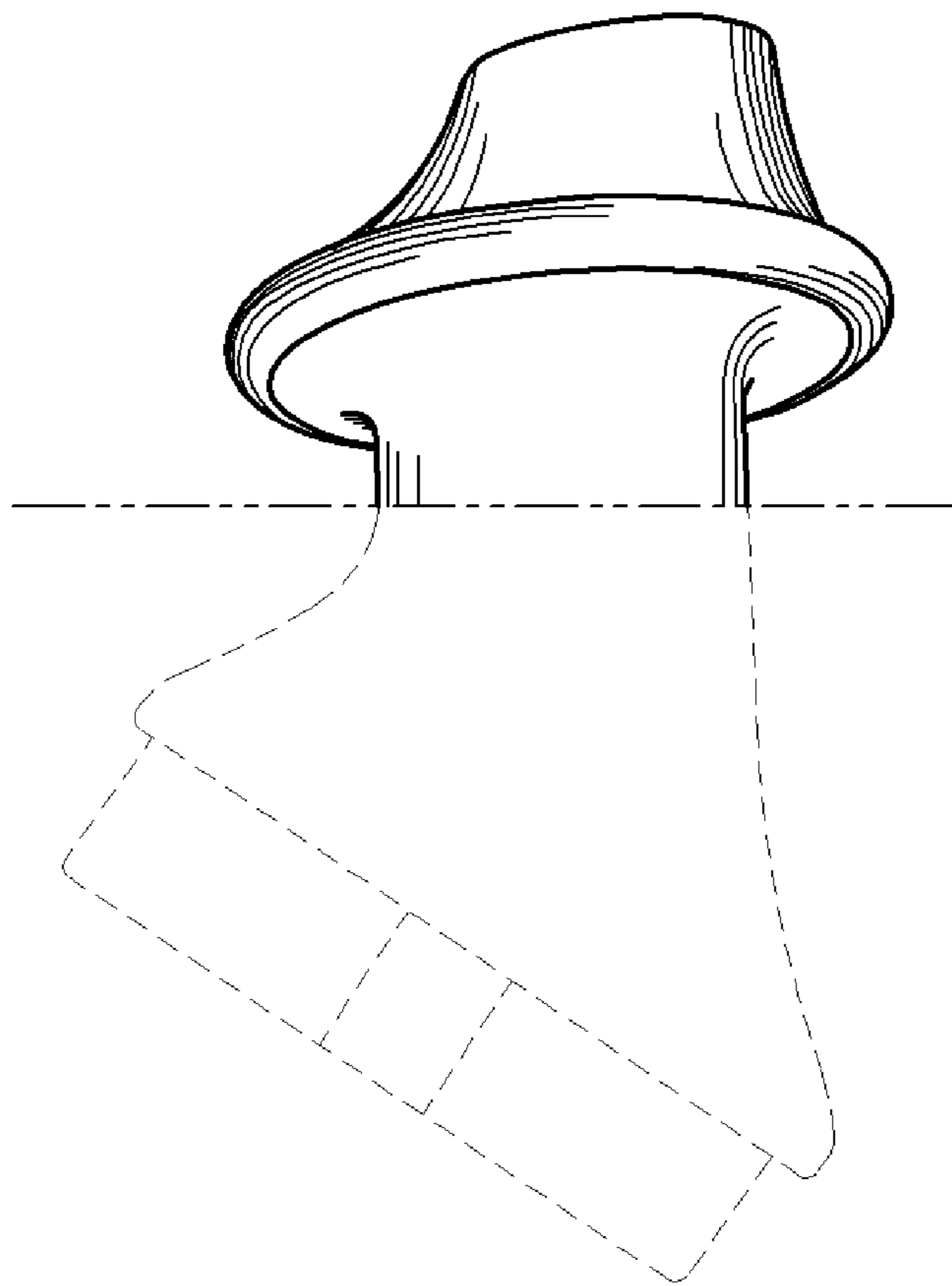


FIG. 5

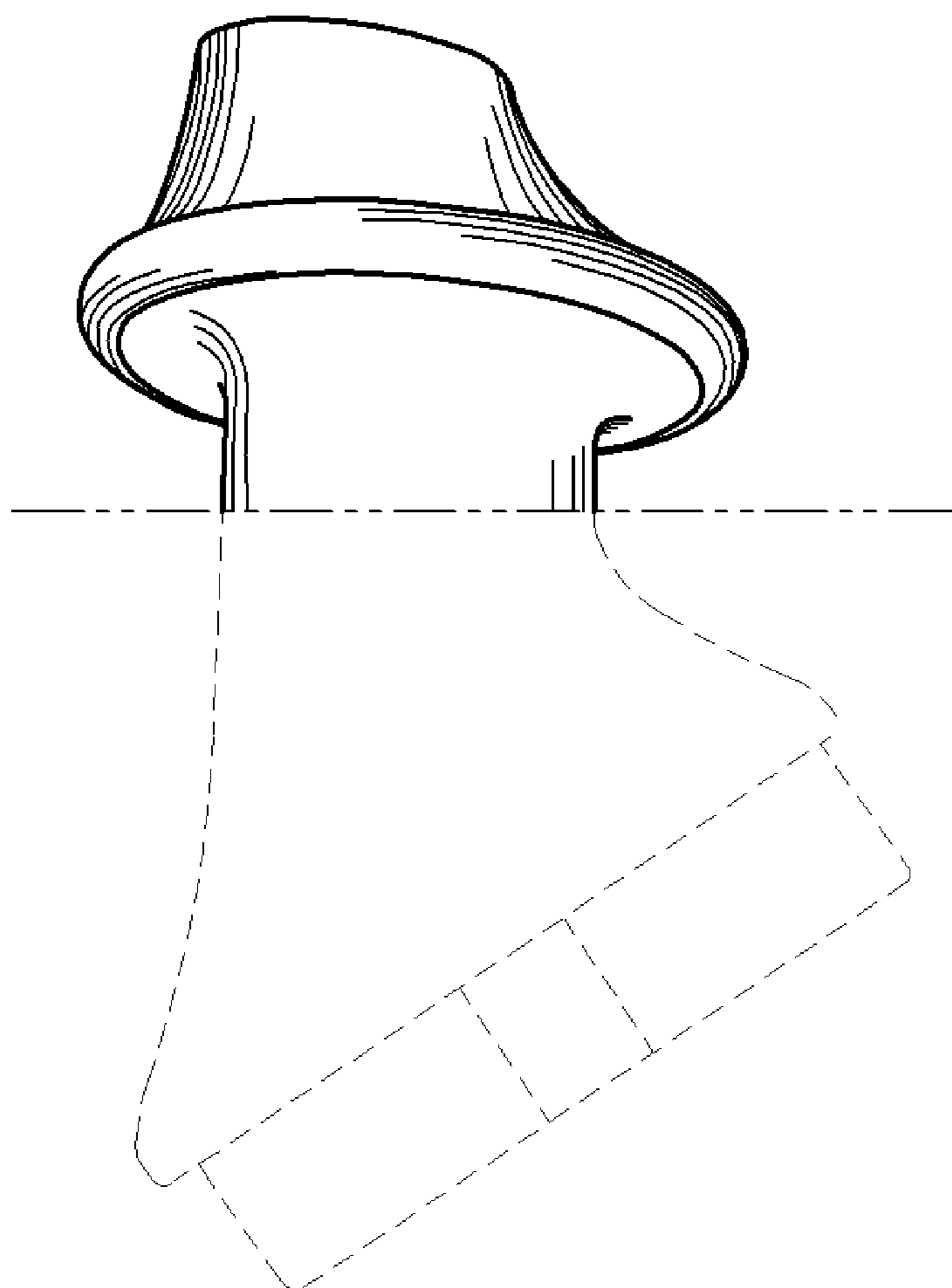


FIG. 6

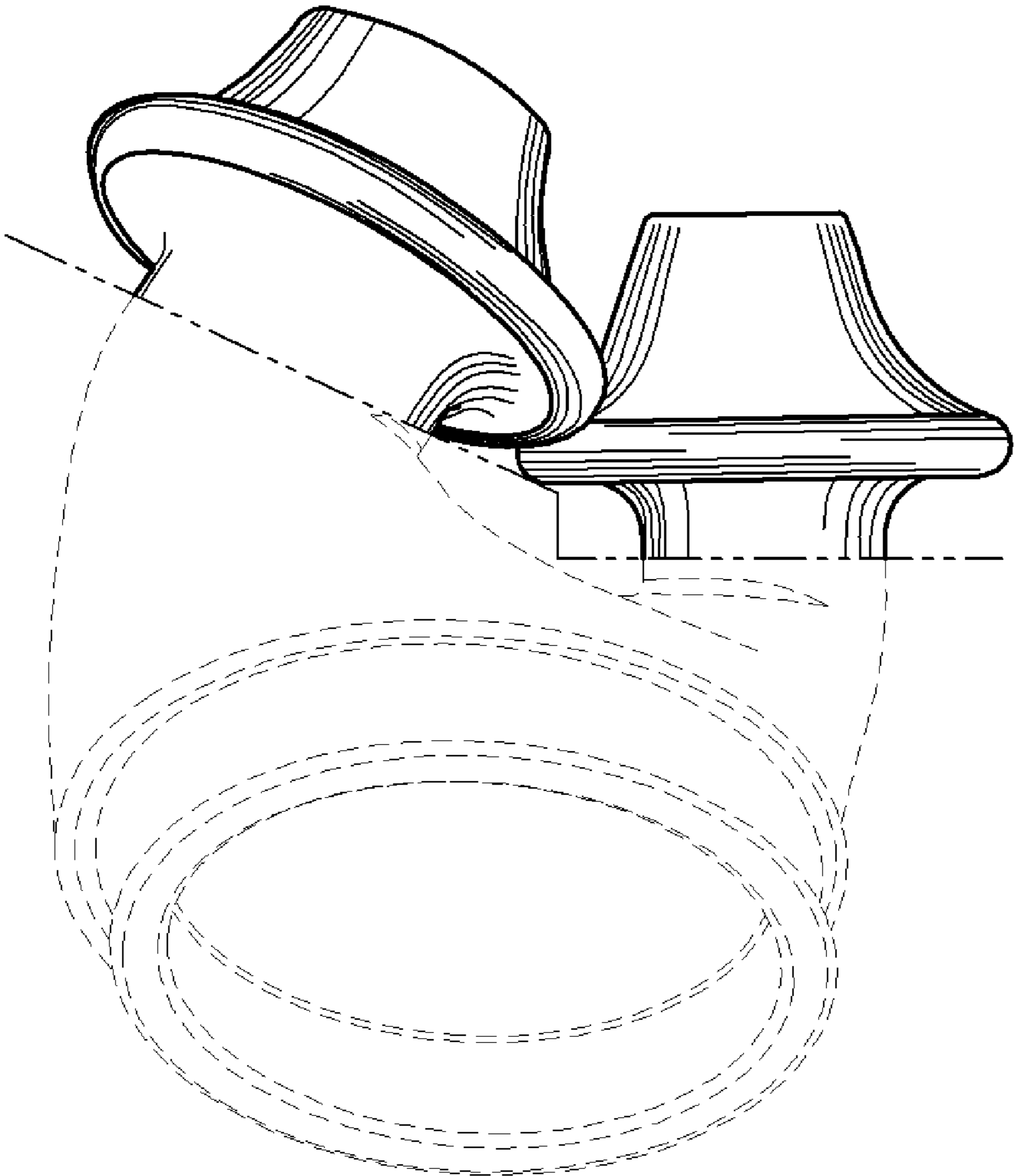


FIG. 7

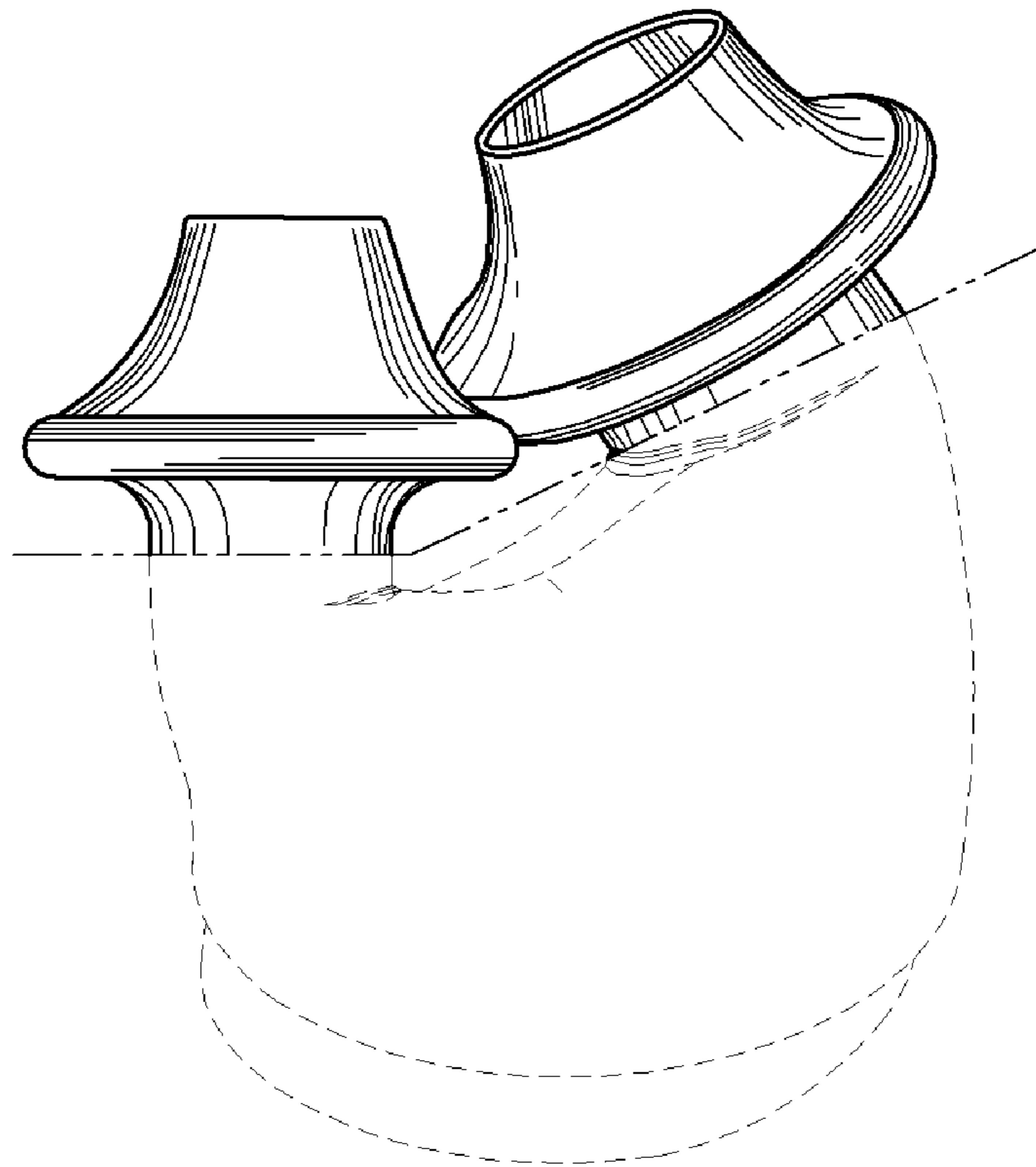


FIG. 8

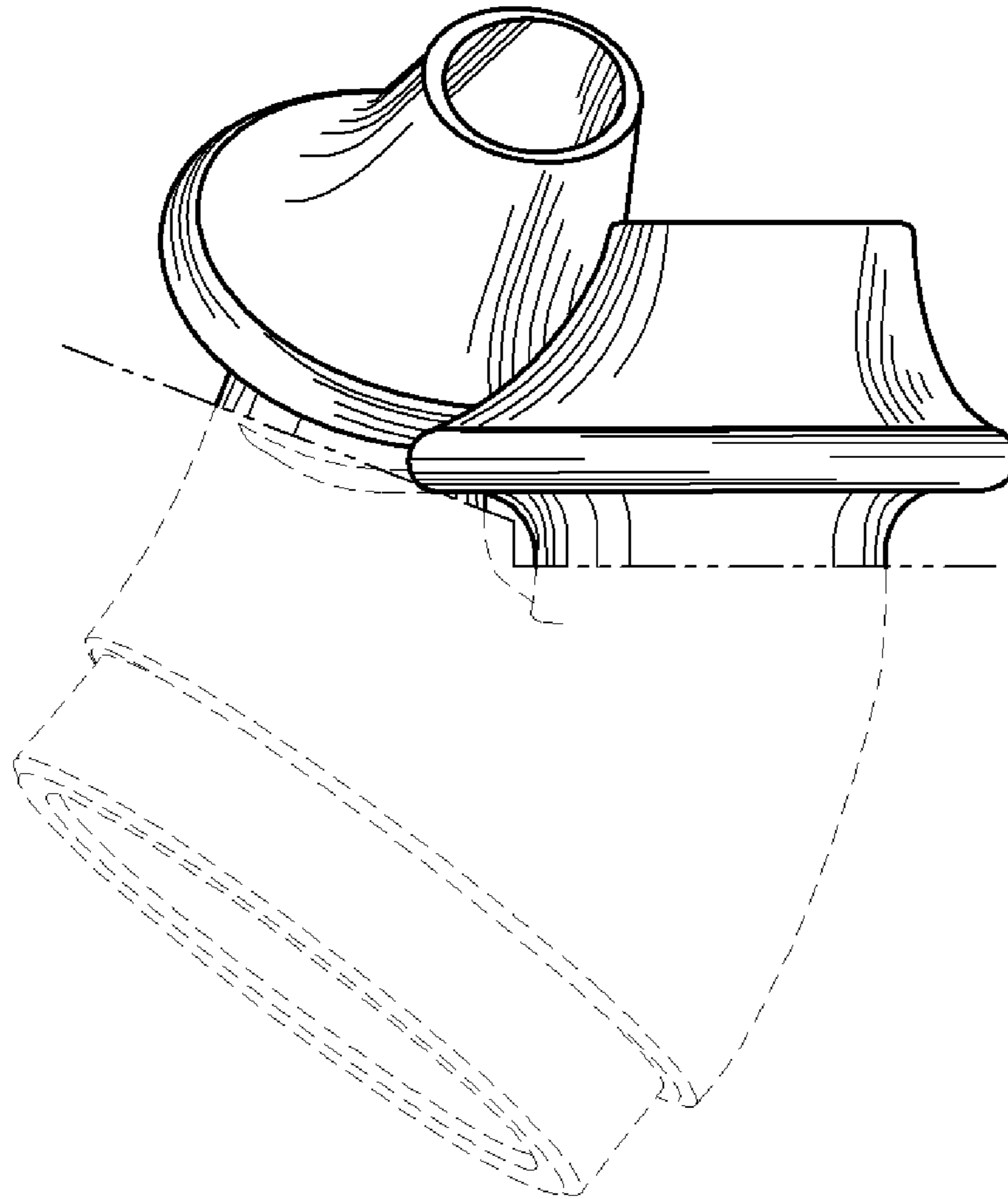


FIG. 9

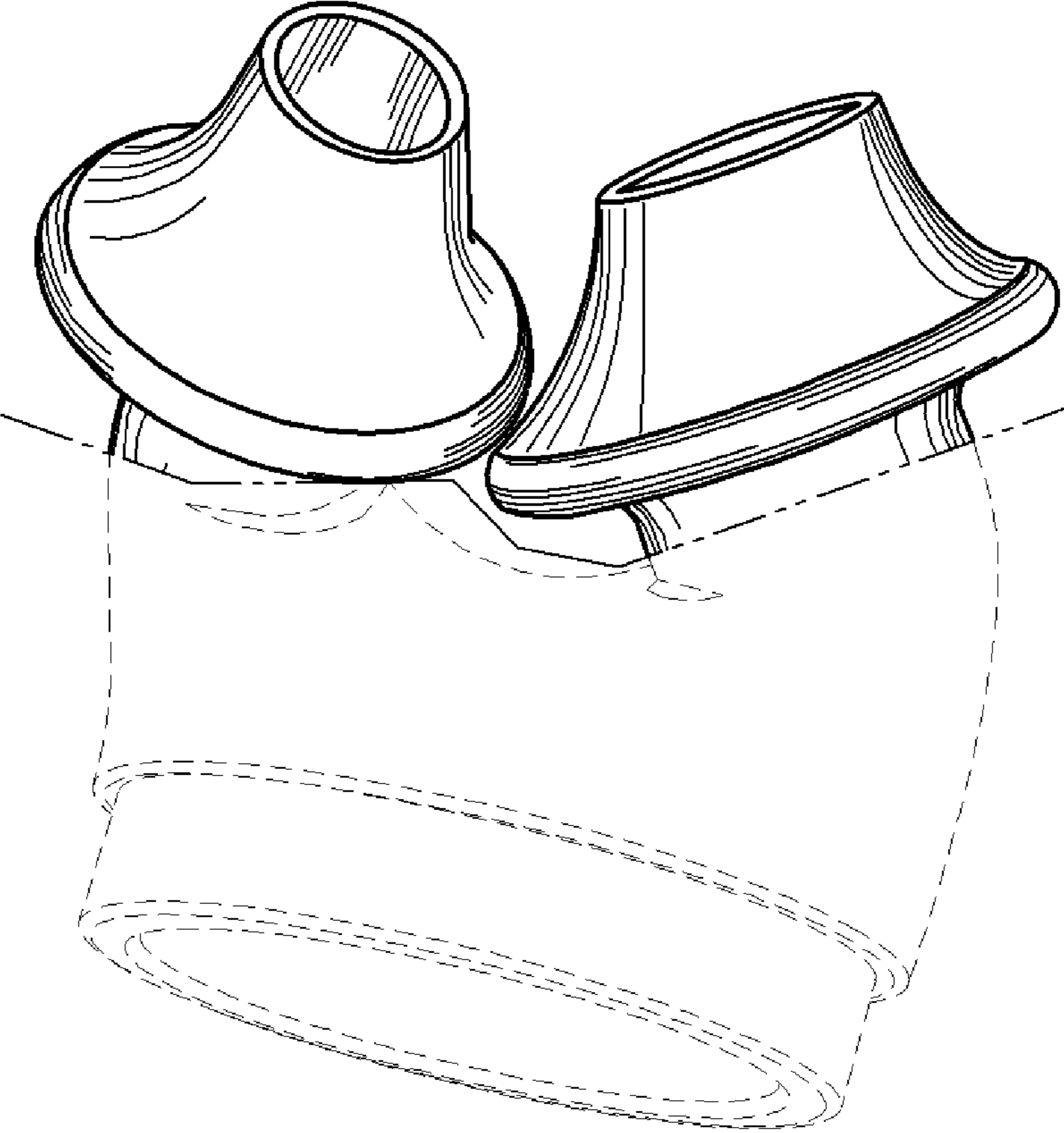


FIG. 10