



US00D674479S

(12) **United States Design Patent**
Merchant et al.

(10) **Patent No.:** **US D674,479 S**
(45) **Date of Patent:** **** Jan. 15, 2013**

(54) **HANDPIECE FOR USE IN POWER ASSISTED LIPOPLASTY**

(75) Inventors: **Adnan I. Merchant**, Fremont, CA (US);
David B. Mogill, Westminster, CO (US);
Wayne A. Siebrecht, Golden, CO (US)

(73) Assignee: **Sound Surgical Technologies LLC**,
Louisville, CO (US)

(**) Term: **14 Years**

(21) Appl. No.: **29/375,936**

(22) Filed: **Sep. 29, 2010**

(51) **LOC (9) Cl.** **24-01**

(52) **U.S. Cl.** **D24/108**

(58) **Field of Classification Search** D24/108,
D24/111, 112, 113, 129, 130, 133, 146, 147;
600/367, 566, 567, 573; 604/22, 30, 33,
604/35, 36, 65, 902; 606/27, 67, 80, 169,
606/170, 171, 172, 174, 180; D28/50, 58

See application file for complete search history.

(56) **References Cited**

U.S. PATENT DOCUMENTS

5,957,881	A *	9/1999	Peters et al.	604/22
6,152,941	A *	11/2000	Himes et al.	606/180
6,273,862	B1 *	8/2001	Privitera et al.	600/568
6,312,441	B1 *	11/2001	Deng	606/170
6,991,621	B2 *	1/2006	Bacher et al.	604/247
7,150,747	B1 *	12/2006	McDonald et al.	606/45
D624,188	S *	9/2010	Crawford et al.	D24/186
7,887,559	B2 *	2/2011	Deng et al.	606/170
D655,412	S *	3/2012	Luk et al.	D24/130
2004/0010258	A1 *	1/2004	Carusillo et al.	606/79
2004/0220602	A1 *	11/2004	Deng et al.	606/170
2005/0277970	A1 *	12/2005	Norman et al.	606/180
2008/0188848	A1 *	8/2008	Deutmeyer et al.	606/40
2009/0043248	A1 *	2/2009	Peterson et al.	604/22
2009/0192442	A1 *	7/2009	Ignon et al.	604/22
2010/0100112	A1 *	4/2010	Kauker et al.	606/180

2010/0274227	A1 *	10/2010	Khairkahan et al.	604/533
2011/0066122	A1 *	3/2011	Stanton et al.	604/319
2011/0082415	A1 *	4/2011	Ignon et al.	604/22
2011/0089248	A1 *	4/2011	Deng et al.	235/492
2011/0160610	A1 *	6/2011	Burdorff et al.	600/566
2011/0166502	A1 *	7/2011	Nallakrishnan	604/22
2011/0202023	A1 *	8/2011	Stanton et al.	604/319
2011/0245599	A1 *	10/2011	Auclair et al.	600/104
2011/0270293	A1 *	11/2011	Malla et al.	606/170

FOREIGN PATENT DOCUMENTS

DE	202011000575	U1 *	6/2011
FR	2739293	A1 *	4/1997
WO	WO 2005096965	A1 *	10/2005

* cited by examiner

Primary Examiner — Jeffrey D Asch

Assistant Examiner — Shannon Weekley

(74) *Attorney, Agent, or Firm* — Merchant & Gould PC

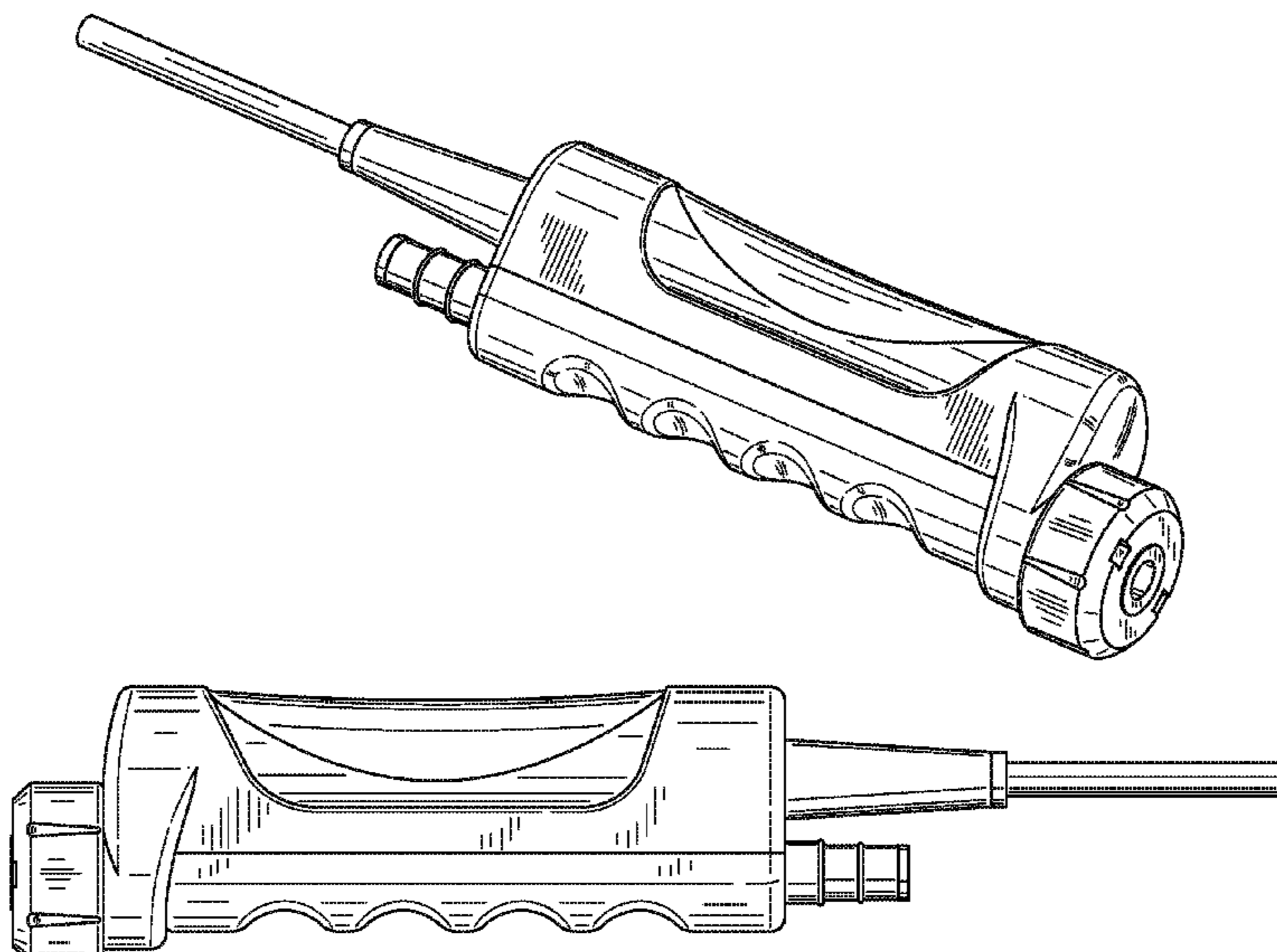
(57) **CLAIM**

The ornamental design for a handpiece for use in power assisted lipoplasty, as shown and described.

DESCRIPTION

FIG. 1 is a perspective view of an embodiment of a handpiece for use in power assisted lipoplasty showing a new design; FIG. 2 is a front view of the handpiece for use in power assisted lipoplasty of FIG. 1; FIG. 3 is a rear or back view of the handpiece for use in power assisted lipoplasty of FIG. 1; FIG. 4 is a right side elevation view of the handpiece for use in power assisted lipoplasty of FIG. 1; FIG. 5 is a left side elevation view of the handpiece for use in power assisted lipoplasty of FIG. 1; FIG. 6 is a top view of the handpiece for use in power assisted lipoplasty of FIG. 1; and, FIG. 7 is a bottom view of the handpiece for use in power assisted lipoplasty of FIG. 1.

1 Claim, 4 Drawing Sheets



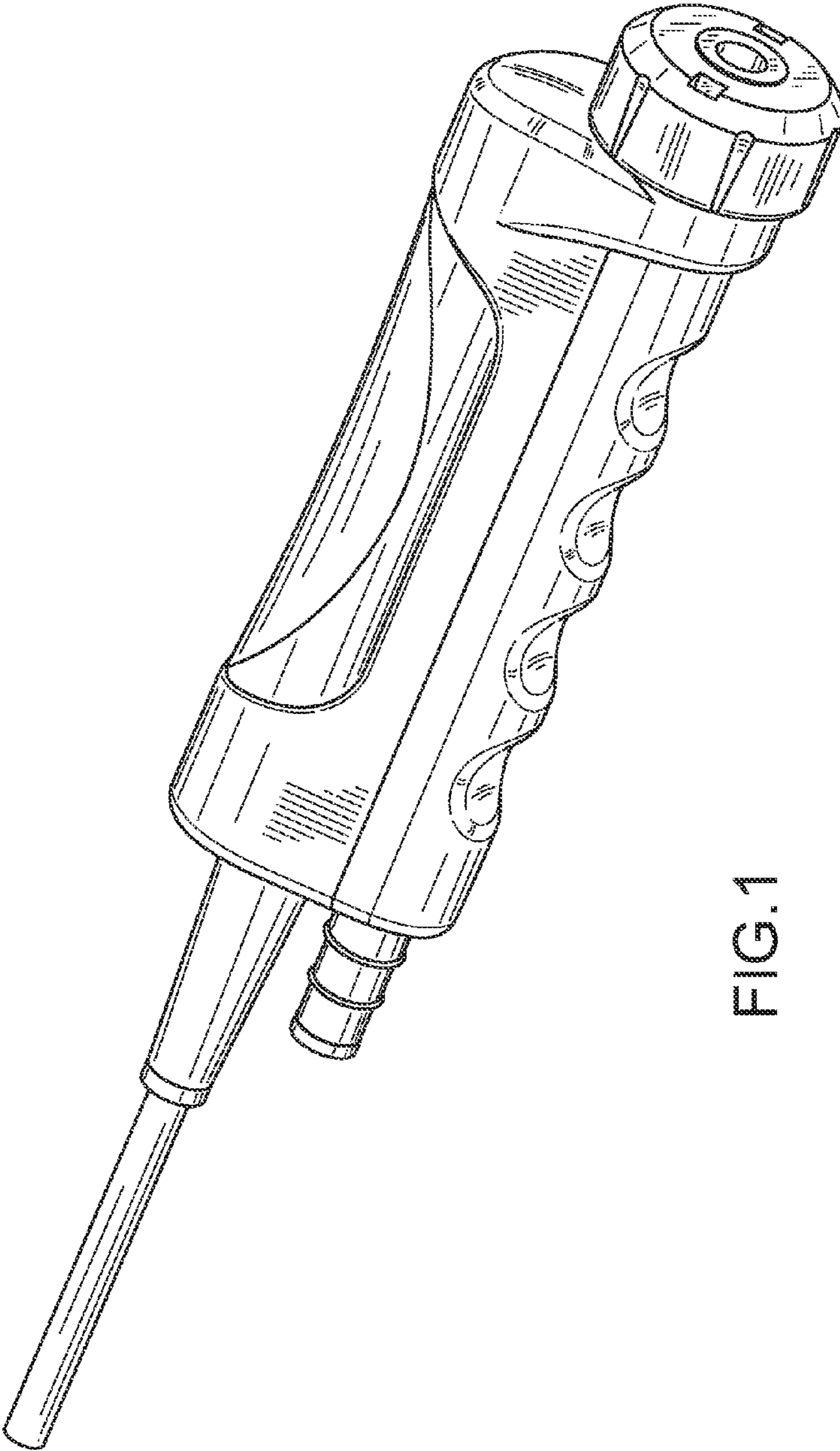


FIG.1

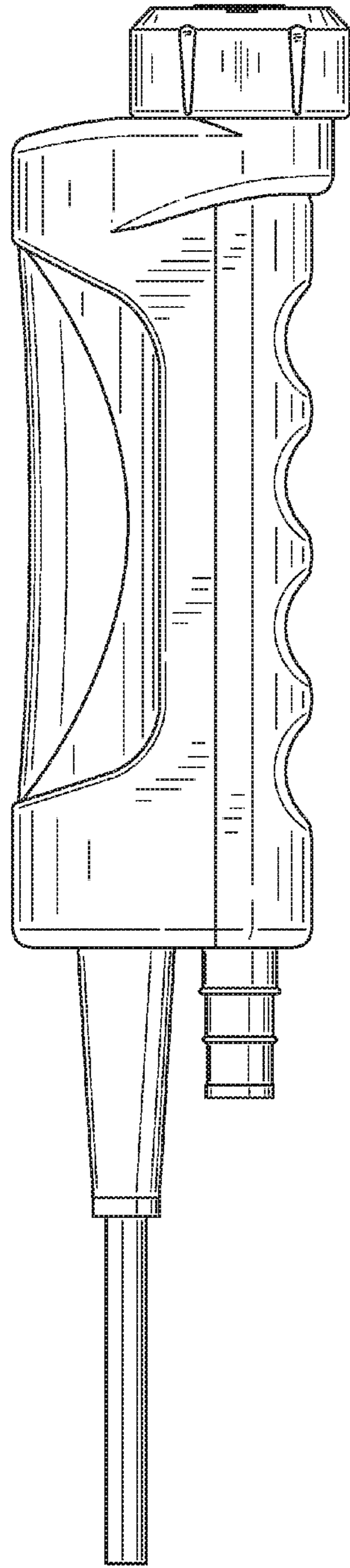


FIG. 2

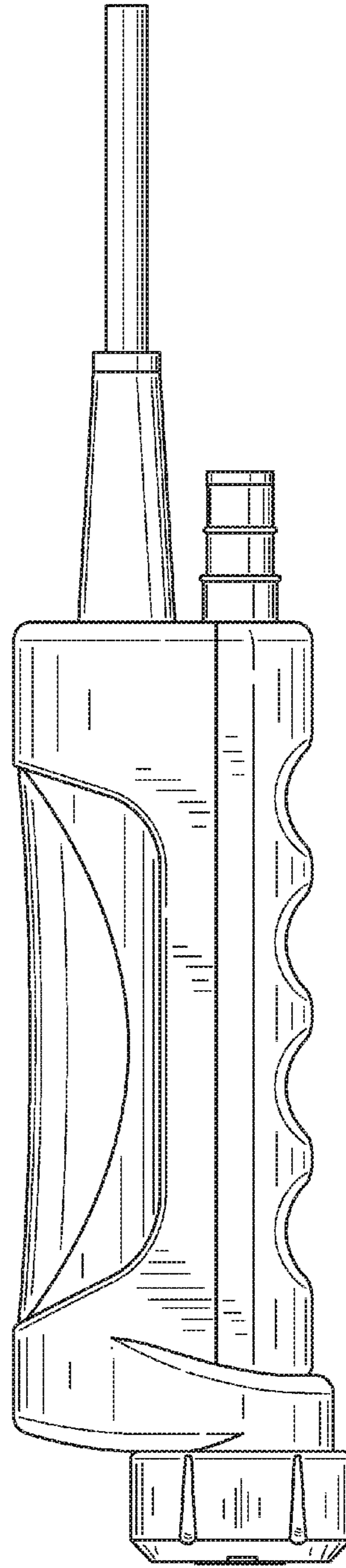


FIG. 3

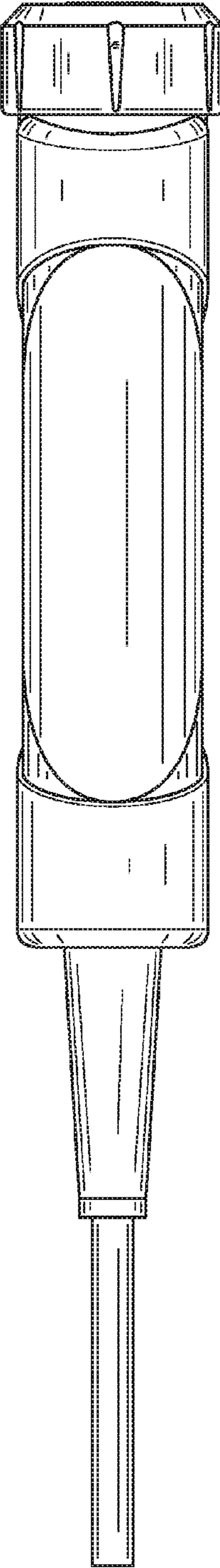


FIG.4

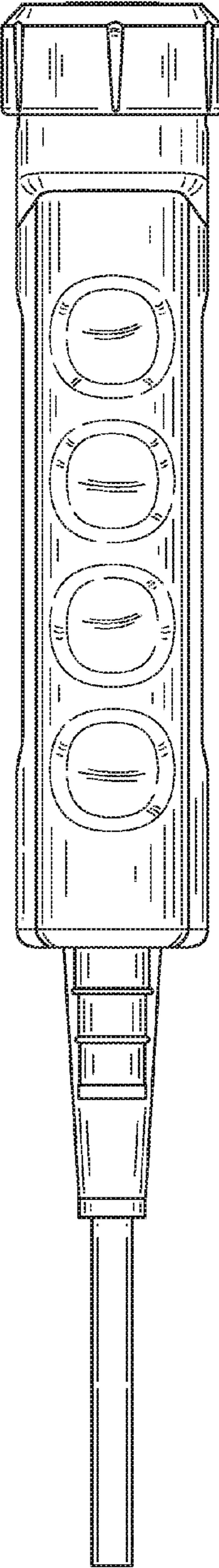


FIG.5

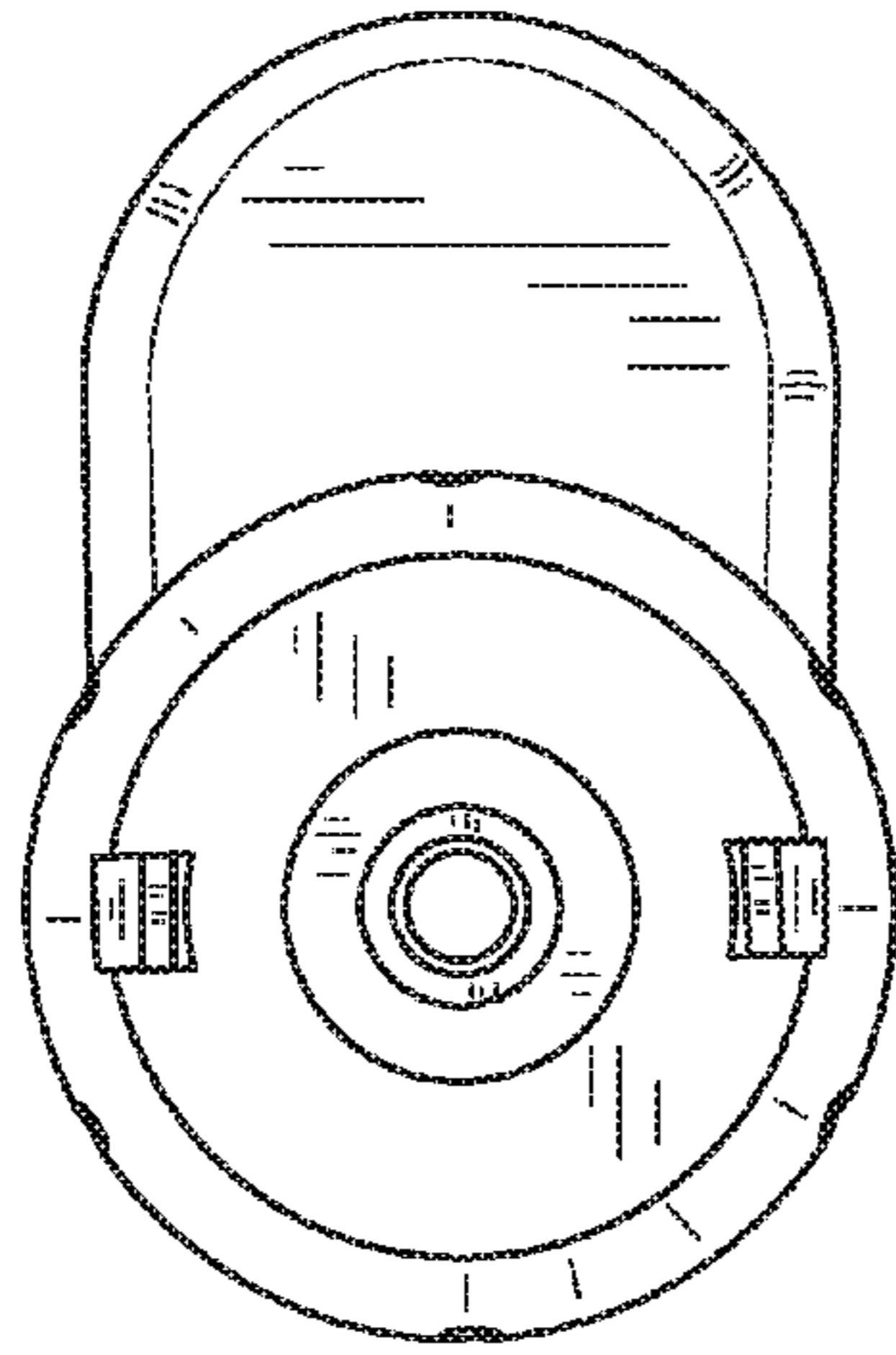


FIG. 6

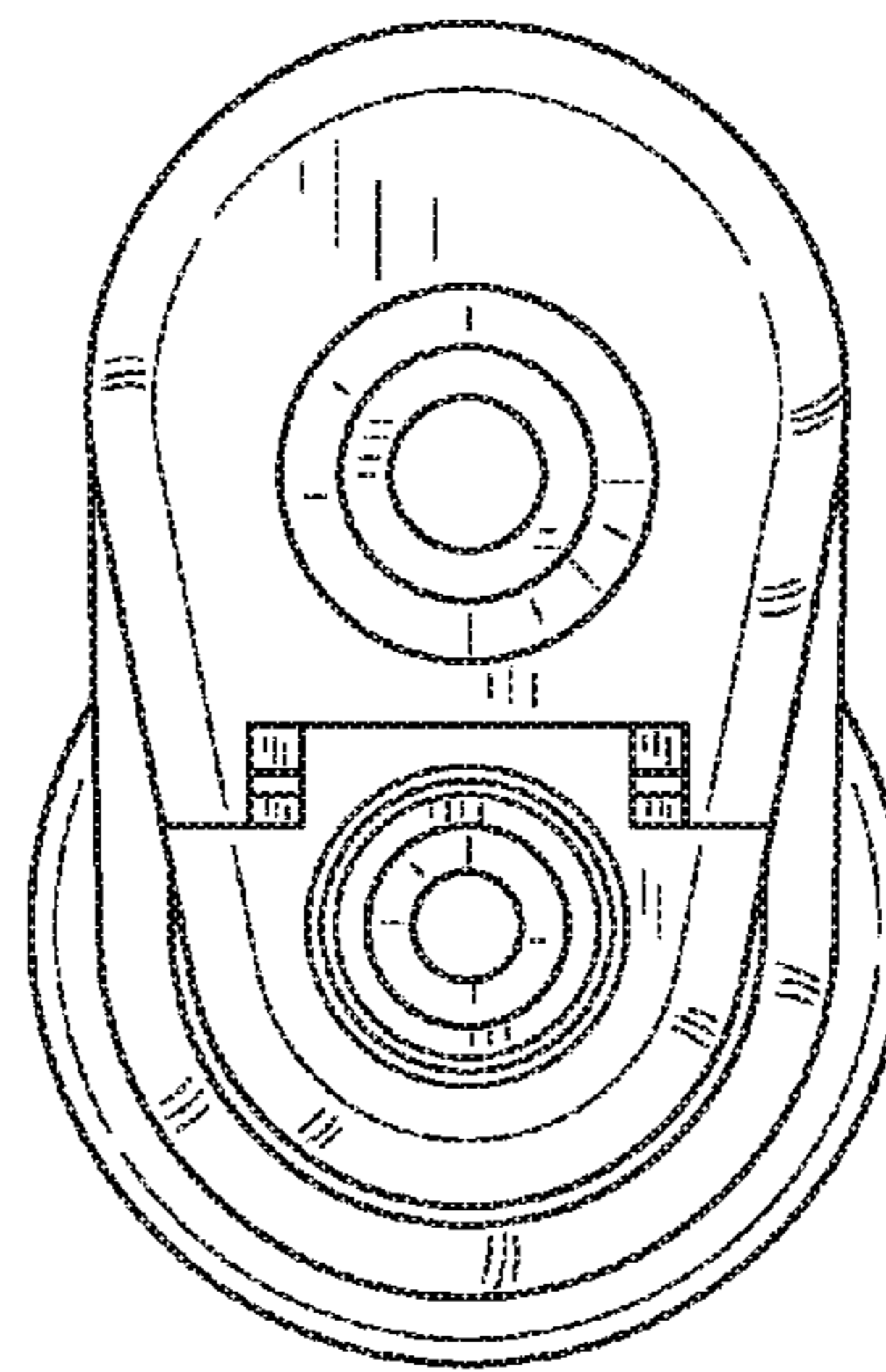


FIG. 7