



US00D674478S

(12) **United States Design Patent**  
**Inoue**

(10) **Patent No.:** **US D674,478 S**  
(45) **Date of Patent:** **\*\* Jan. 15, 2013**

(54) **MEDICAL ILLUMINATION DEVICE**

(75) Inventor: **Yoshihiro Inoue**, Kyotanabe (JP)

(73) Assignee: **CCS Inc.**, Kyoto-shi (JP)

(\*\*) Term: **14 Years**

(21) Appl. No.: **29/407,752**

(22) Filed: **Dec. 1, 2011**

(30) **Foreign Application Priority Data**

Jun. 6, 2011 (JP) ..... 2011-012821

(51) **LOC (9) Cl.** ..... **24-01**

(52) **U.S. Cl.** ..... **D24/107; D26/37**

(58) **Field of Classification Search** ..... D24/107,  
D24/133, 144, 152, 158, 167, 209-210, 127,  
D24/176; D26/37-40, 43, 45-46, 51; 362/183,  
362/197, 231, 294, 418, 455, 556, 558, 572-574,  
362/581, 804; 600/101, 178-180, 182; 606/1-2,  
606/17, 88, 90

See application file for complete search history.

(56) **References Cited**

**U.S. PATENT DOCUMENTS**

3,389,248	A *	6/1968	Abrams	.....	362/231
5,406,938	A *	4/1995	Mersch et al.	.....	600/182
6,945,674	B2 *	9/2005	Yoneda et al.	.....	362/294
6,979,104	B2 *	12/2005	Brass et al.	.....	362/231
7,497,591	B1 *	3/2009	Bix et al.	.....	362/231
7,682,042	B2 *	3/2010	Feinbloom et al.	.....	362/572
D663,876	S *	7/2012	Tomita et al.	.....	D26/37
D666,756	S *	9/2012	Kani et al.	.....	D26/37
2007/0081348	A1 *	4/2007	Shea et al.	.....	362/451
2009/0059359	A1 *	3/2009	Nahm et al.	.....	362/574

\* cited by examiner

*Primary Examiner* — Wan Laymon

(74) *Attorney, Agent, or Firm* — Alleman Hall McCoy Russell & Tuttle LLP

(57) **CLAIM**

The ornamental design for a medical illumination device, as shown and described.

**DESCRIPTION**

FIG. 1 is a front view of a design for a medical illumination device.

FIG. 2 is a rear view of the medical illumination device of FIG. 1.

FIG. 3 is a left side view of the medical illumination device of FIG. 1.

FIG. 4 is a right side view of the medical illumination device of FIG. 1.

FIG. 5 is a top view of the medical illumination device of FIG. 1.

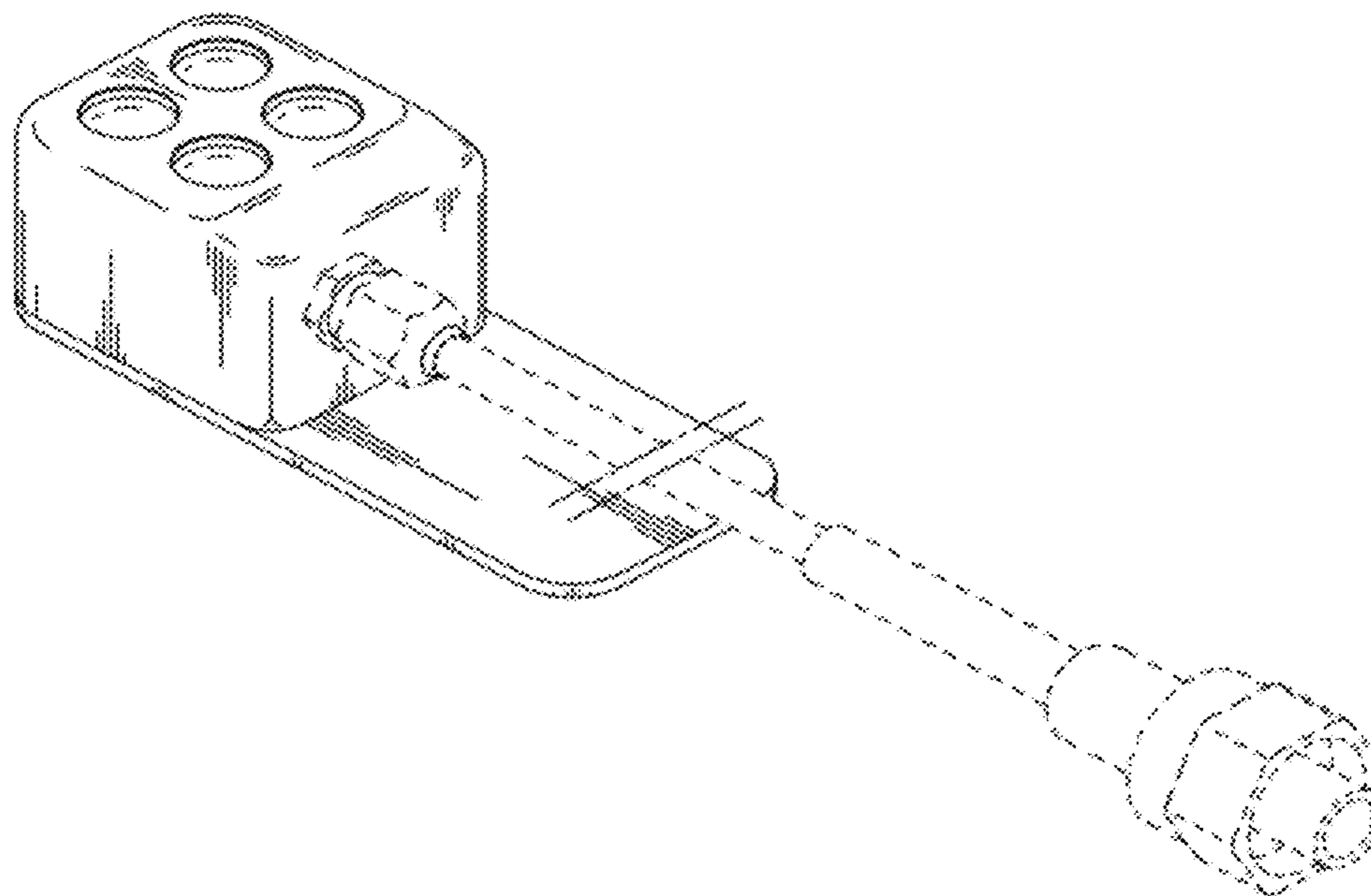
FIG. 6 is a bottom view of the medical illumination device of FIG. 1.

FIG. 7 is a front perspective view showing the medical illumination device of FIG. 1, with an electric cable attached thereto; and,

FIG. 8 is a perspective view showing the medical illumination device of FIG. 1, with an electric cable and a clamp attached thereto.

The dashed lines in FIGS. 1-2 and 4-7 illustrate an electric cable. The dashed lines in FIG. 8 illustrate an electric cable and a clamp. These dashed lines form no part of the claimed design.

**1 Claim, 3 Drawing Sheets**



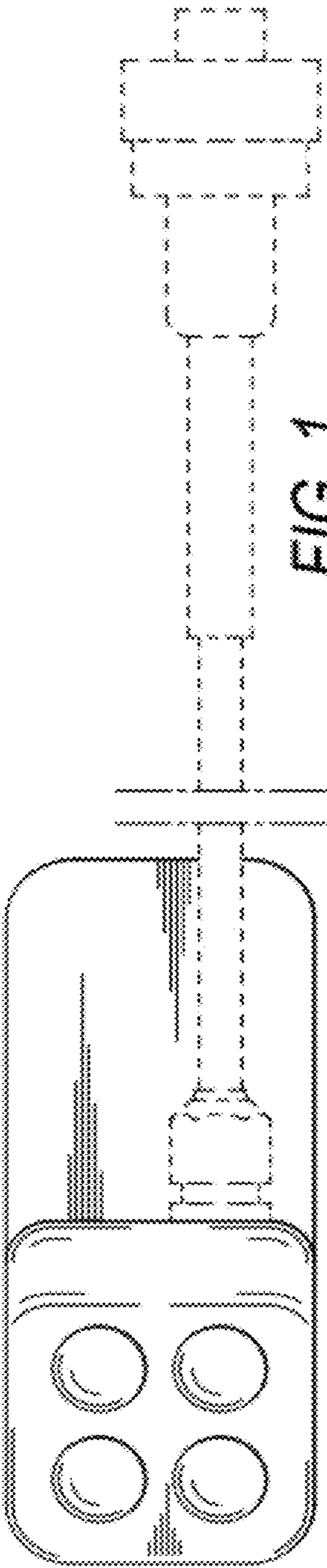


FIG. 1

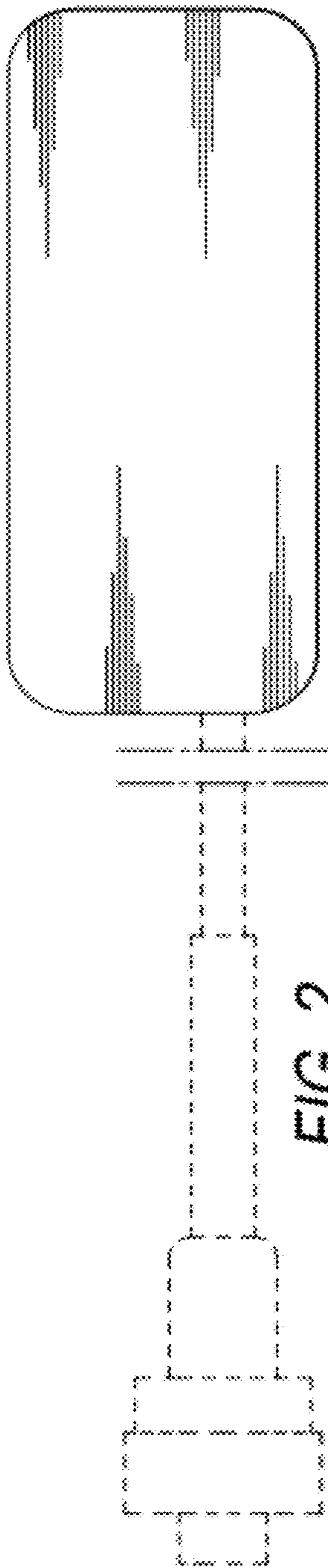


FIG. 2

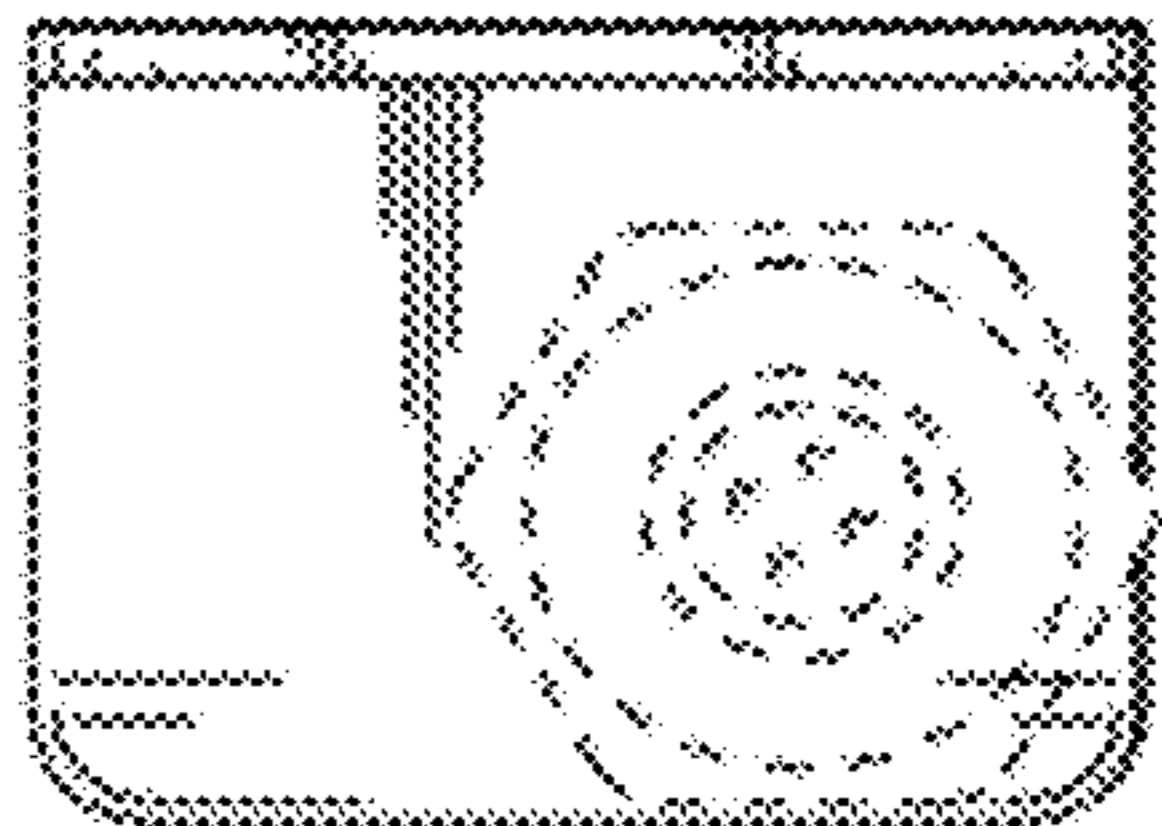


FIG. 3



FIG. 4

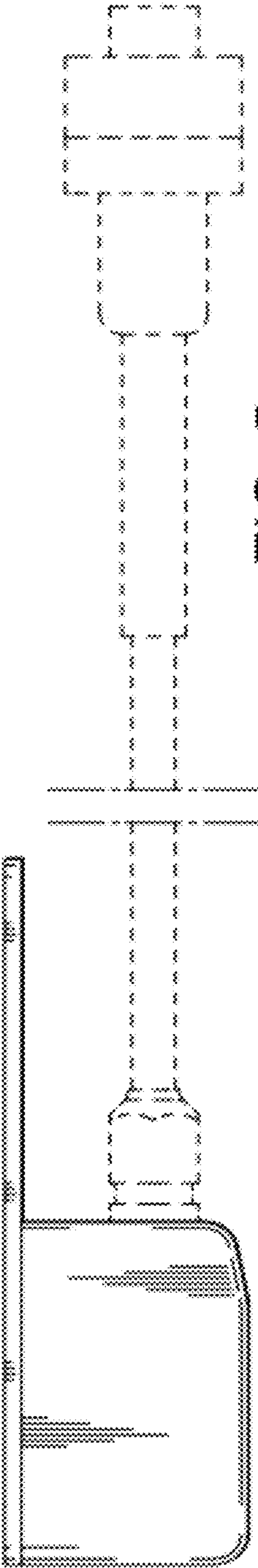


FIG. 5

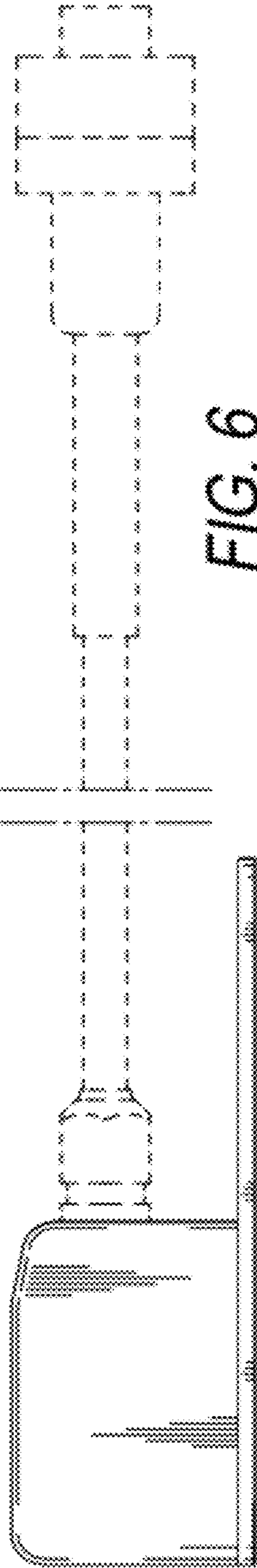


FIG. 6

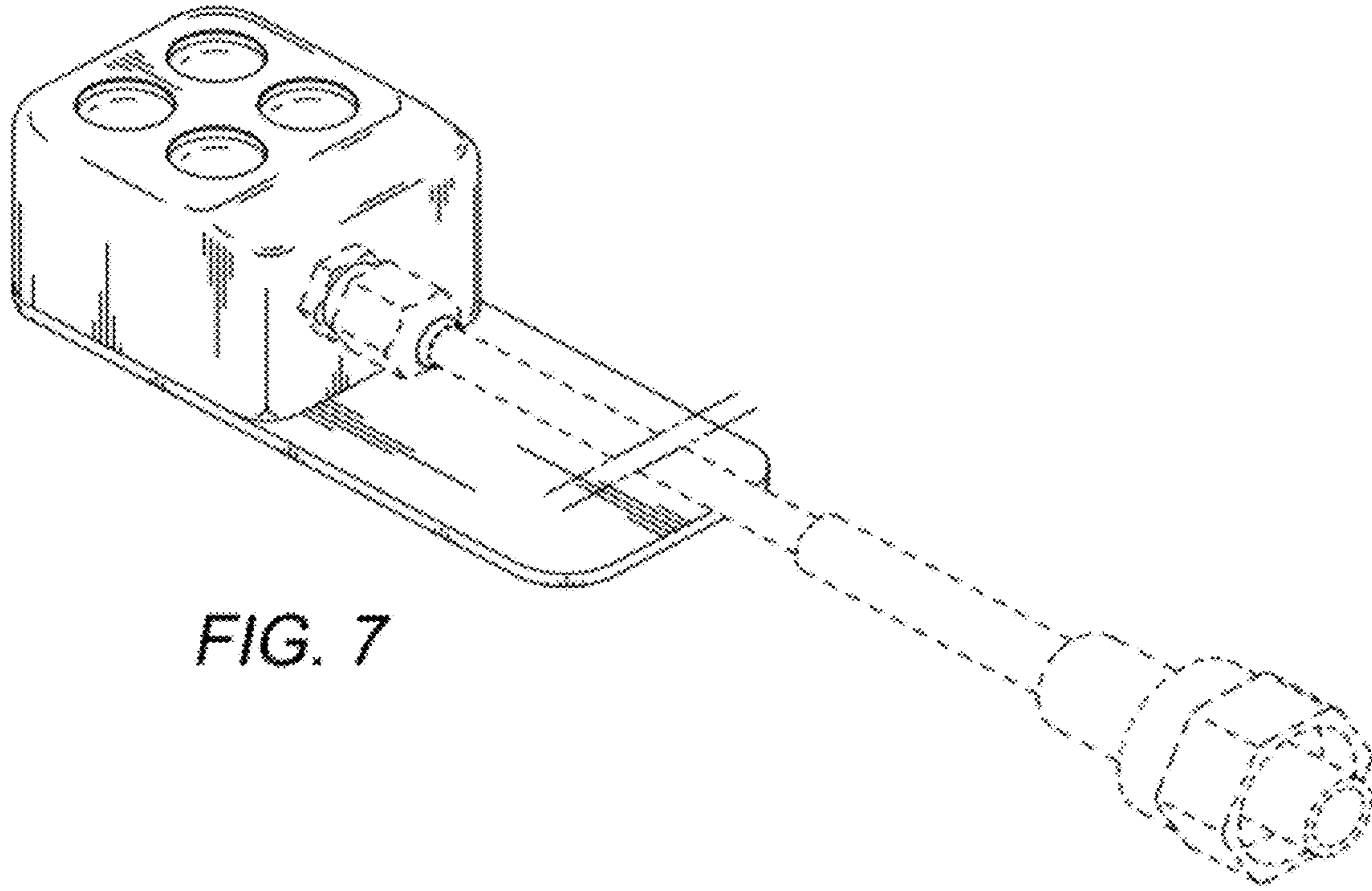


FIG. 7

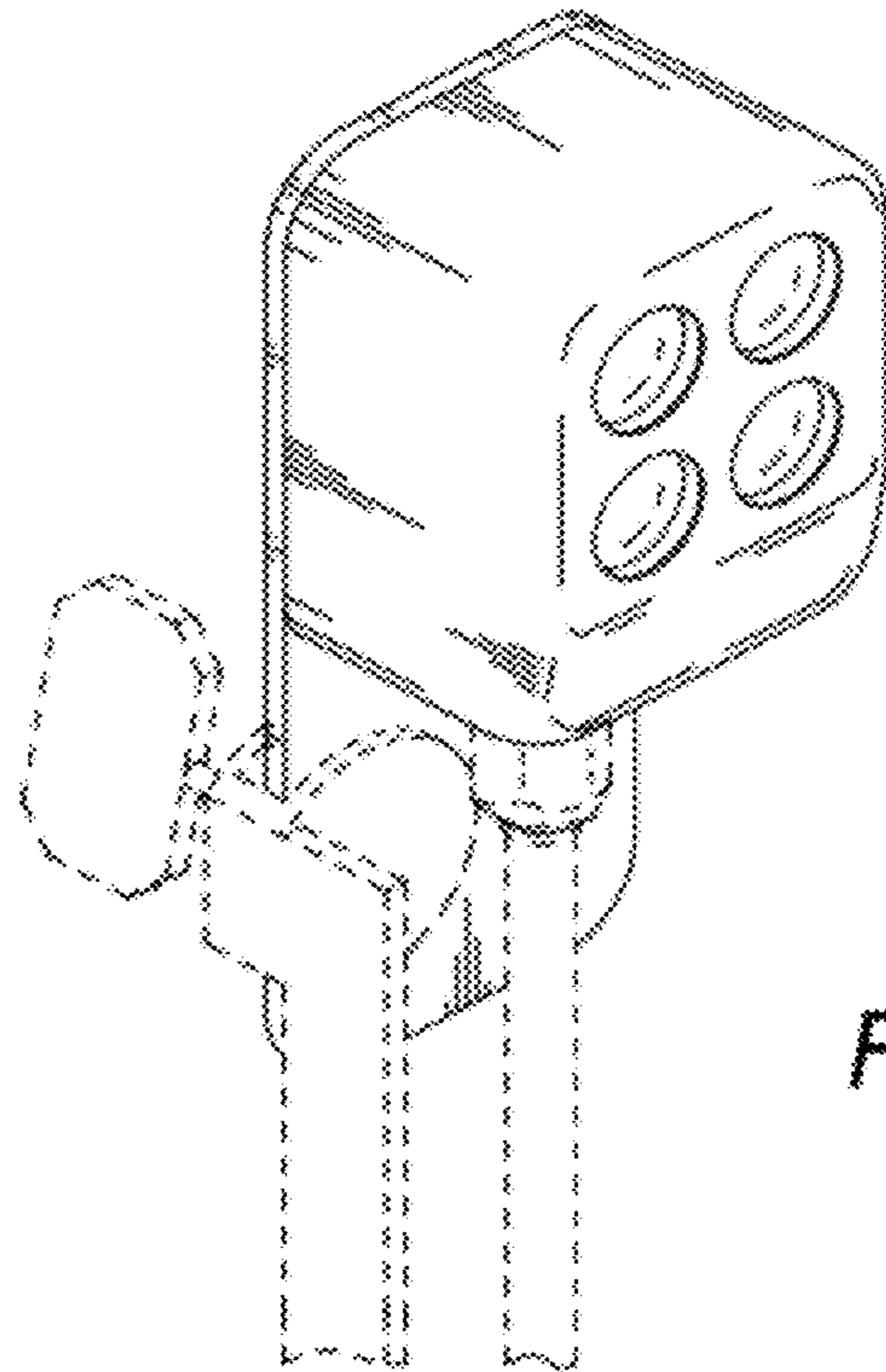


FIG. 8

UNITED STATES PATENT AND TRADEMARK OFFICE  
**CERTIFICATE OF CORRECTION**

PATENT NO. : D674,478 S  
APPLICATION NO. : 29/407752  
DATED : January 15, 2013  
INVENTOR(S) : Yoshihiro Inoue

Page 1 of 1

It is certified that error appears in the above-identified patent and that said Letters Patent is hereby corrected as shown below:

On the Title Page

In the Description of Fig. 7, at line 3, delete “; and,” and insert a --.-- after ‘thereto’.

Signed and Sealed this  
Fourteenth Day of May, 2013



Teresa Stanek Rea  
*Acting Director of the United States Patent and Trademark Office*