

US00D674477S

(12) **United States Design Patent**  
**Beresford-Wylie**

(10) **Patent No.:** **US D674,477 S**

(45) **Date of Patent:** **\*\* Jan. 15, 2013**

(54) **PENILE ERECTILE AID**

**FOREIGN PATENT DOCUMENTS**

(76) **Inventor:** **Richard Beresford-Wylie**, Peterborough (GB)

WO WO 2007147326 \* 10/2007

\* cited by examiner

(\*\*) **Term:** **14 Years**

*Primary Examiner* — Ian Simmons

*Assistant Examiner* — Eleni H Aldridge

(21) **Appl. No.:** **29/408,452**

(74) *Attorney, Agent, or Firm* — Intellectual Property Law Offices of Joel Voelzke, APC

(22) **Filed:** **Dec. 13, 2011**

(51) **LOC (9) Cl.** ..... **28-01**

(52) **U.S. Cl.** ..... **D24/105**

(58) **Field of Classification Search** ..... D24/190,  
D24/133, 105; 600/39, 38, 830

See application file for complete search history.

(57) **CLAIM**

The ornamental design for a penile erectile aid, as shown and described.

**DESCRIPTION**

(56) **References Cited**

**U.S. PATENT DOCUMENTS**

764,801	A *	7/1904	Emerson	600/39
853,410	A *	5/1907	Huebner	600/39
1,346,463	A *	7/1920	Renois	600/39
3,920,007	A *	11/1975	Line	600/39
4,262,662	A *	4/1981	Allinson	600/39
4,449,521	A *	5/1984	Panzer	600/39
4,672,954	A *	6/1987	Panzer	600/39
5,800,340	A *	9/1998	Gekhter et al.	600/39
5,911,686	A *	6/1999	Kohut	600/38
D528,659	S *	9/2006	Cherfas et al.	D24/190
7,611,456	B2 *	11/2009	Jared	600/39
2010/0130816	A1 *	5/2010	Gekhter	600/39
2012/0136206	A1 *	5/2012	Deitch et al.	600/39

FIG. 1 is a side perspective drawing of a penile erectile aid showing my new design, viewing the device from the front and right side;

FIG. 2 is a rear elevation view thereof;

FIG. 3 is front elevation view thereof;

FIG. 4 is a top plan view thereof;

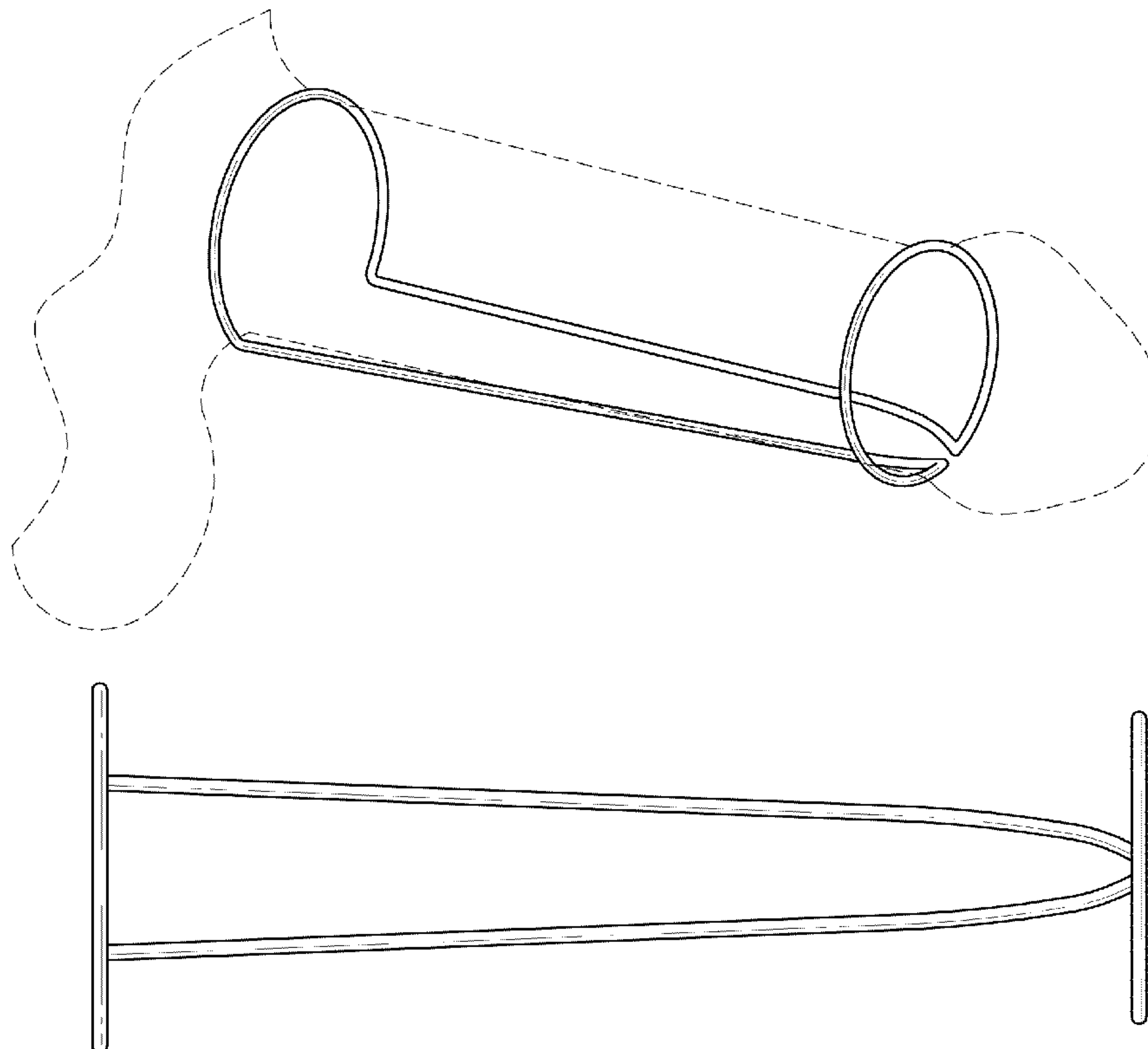
FIG. 5 is a right side elevation view thereof;

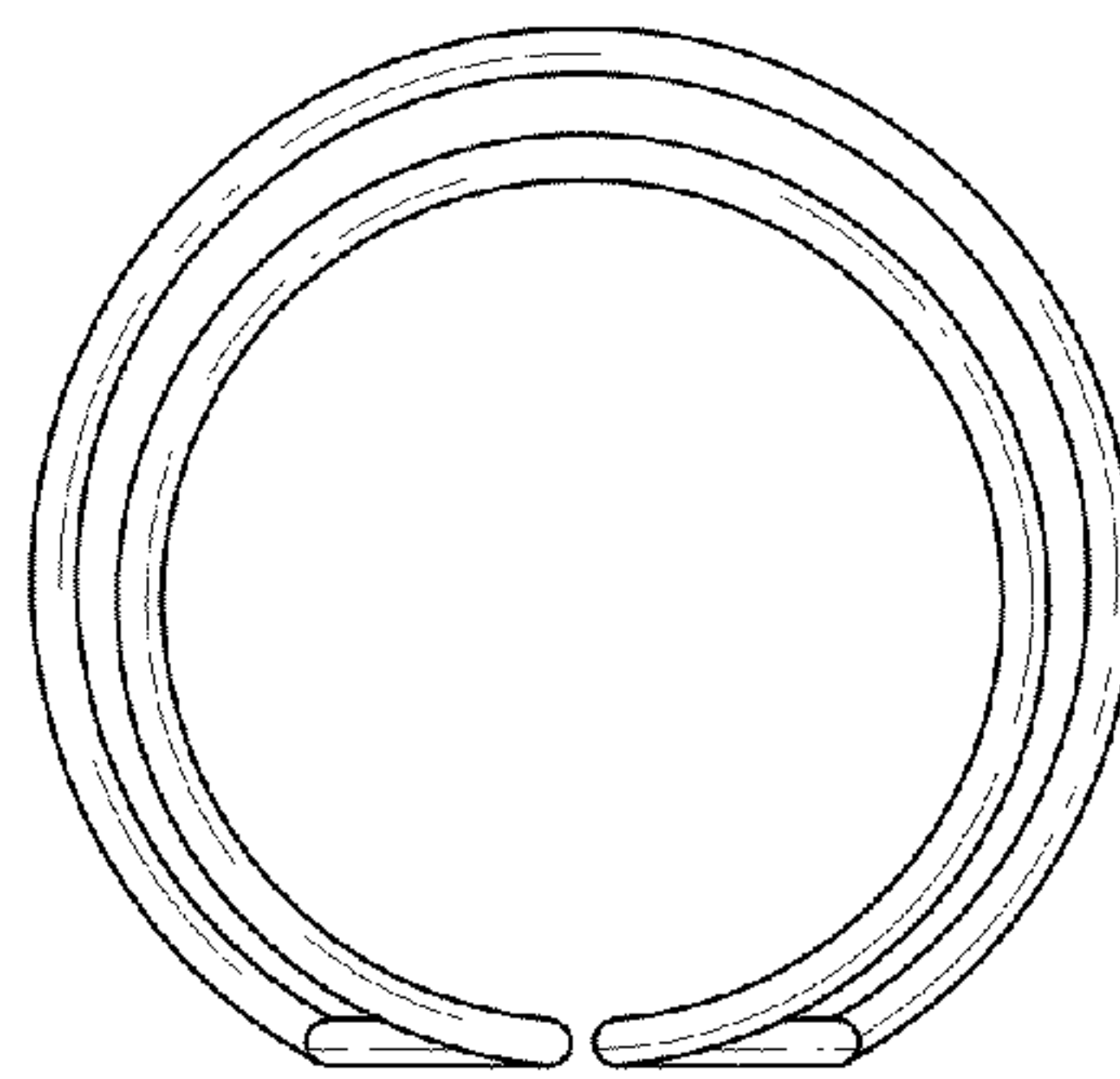
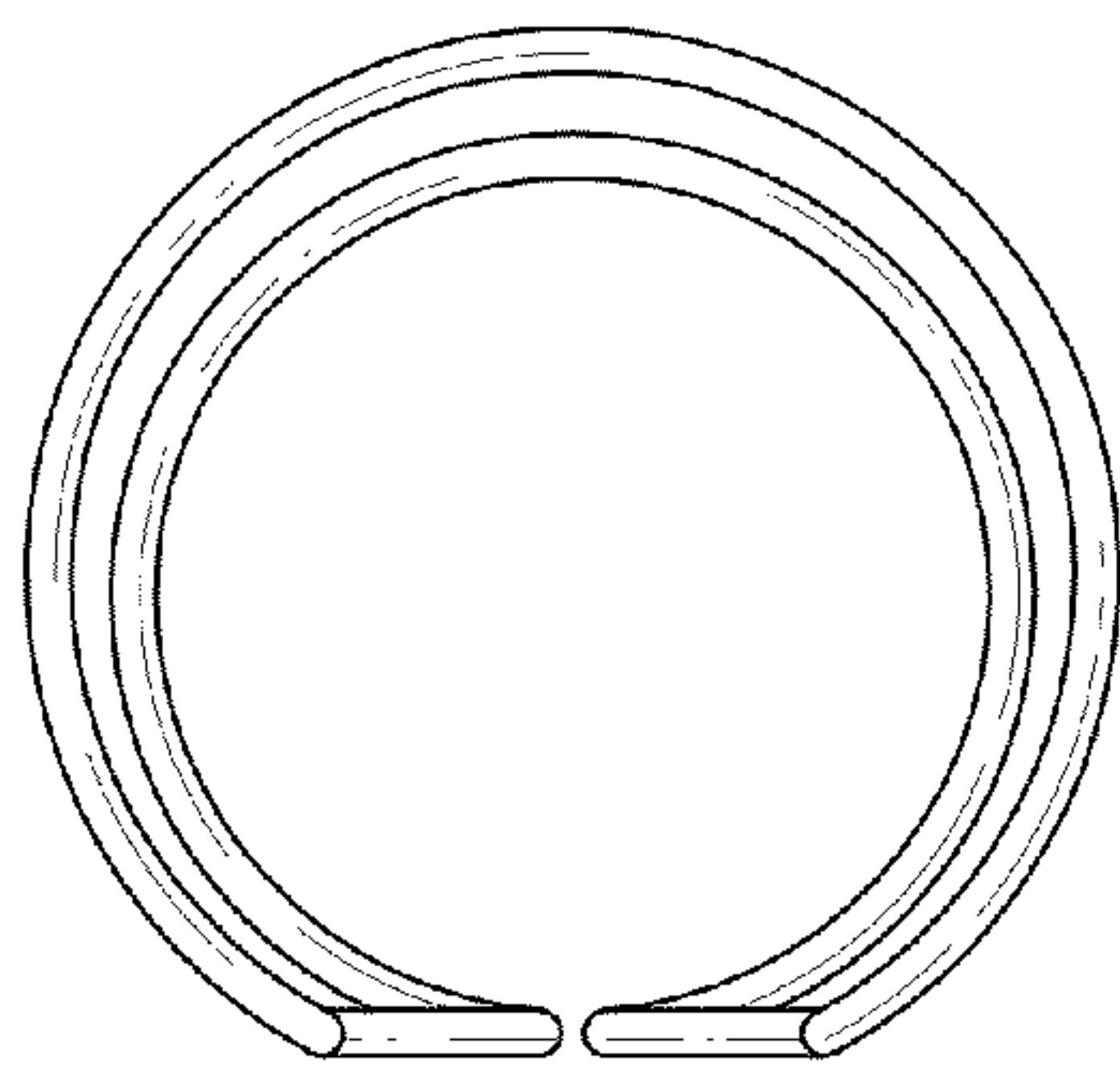
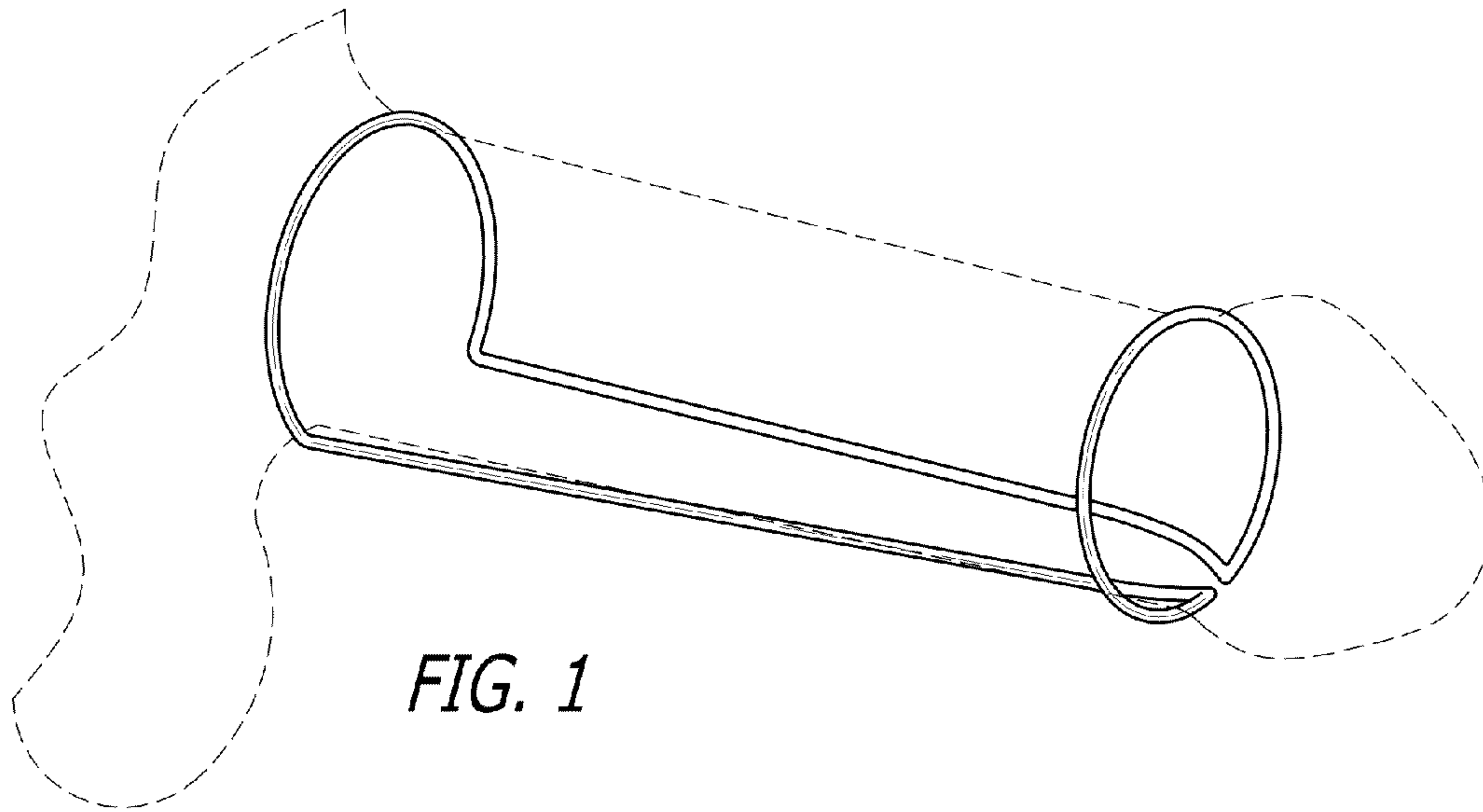
FIG. 6 is a left side elevation view thereof; and,

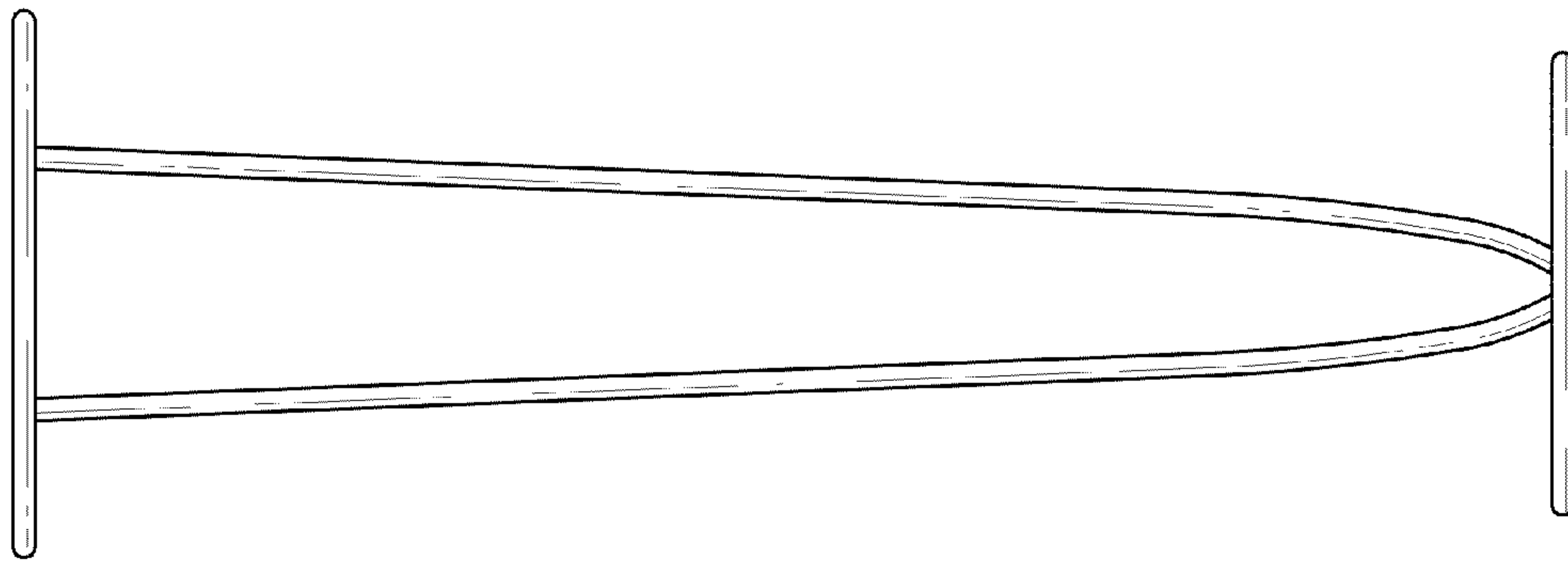
FIG. 7 is a bottom elevation view thereof.

In FIG. 1, a penis is shown in broken lines for illustration purposes only and form(s) no part of the claimed design.

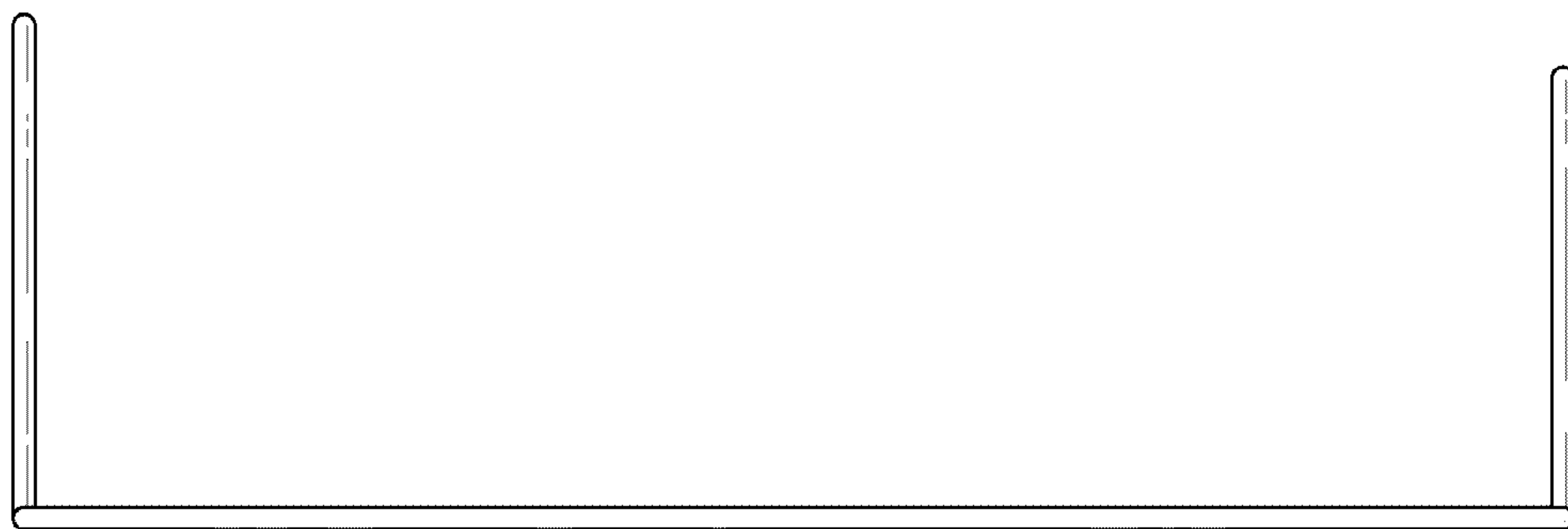
**1 Claim, 3 Drawing Sheets**







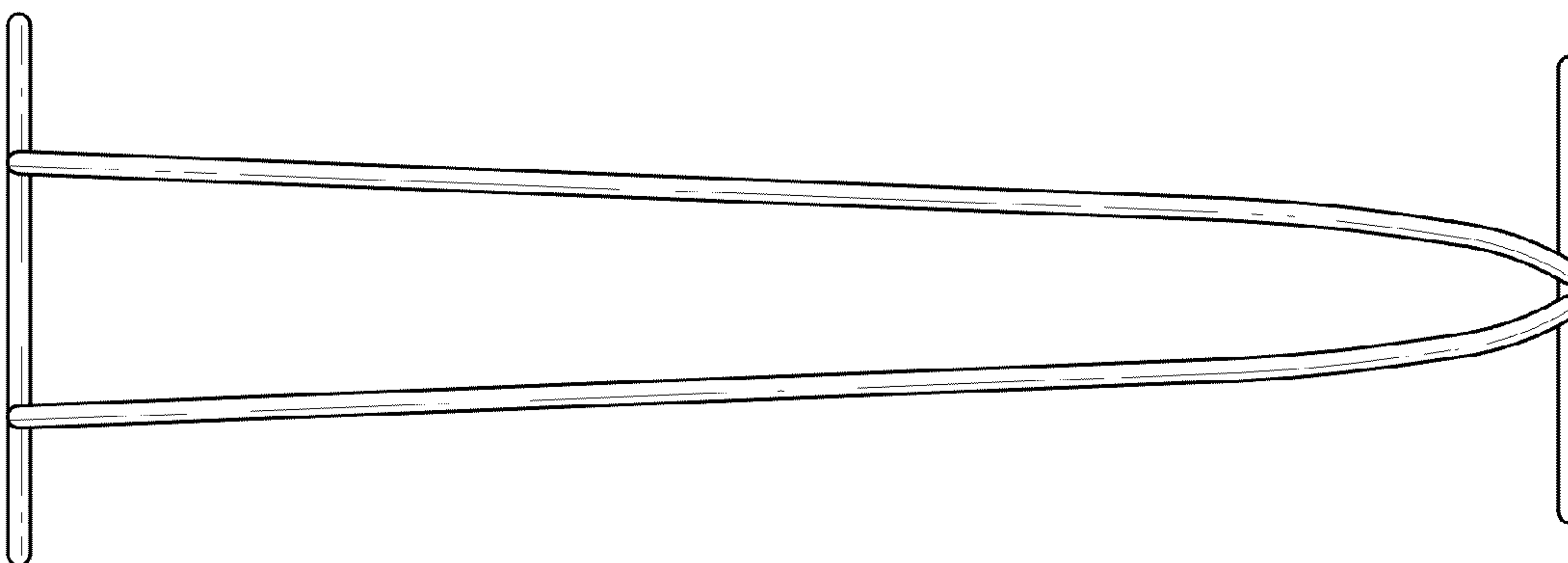
*FIG. 4*



*FIG. 5*



*FIG. 6*



*FIG. 7*