



US00D674475S

(12) **United States Design Patent**  
**Andersen et al.**

(10) **Patent No.:** **US D674,475 S**  
(45) **Date of Patent:** **\*\* Jan. 15, 2013**

- (54) **WICK**
- (75) Inventors: **Daniel A. Andersen**, Burlington, WI (US); **Kylie L. Levake**, Racine, WI (US); **Kenneth W. Michaels**, Spring Grove, IL (US); **David J. Schram**, Franklin, WI (US); **Nitin Sharma**, Kenosha, WI (US); **James T. Walker**, Racine, WI (US); **Steven V. Bisbikis**, Hawthorn Woods, IL (US); **Jason R. Gebhardt**, Buffalo Grove, IL (US)
- (73) Assignee: **S.C. Johnson & Son, Inc.**, Racine, WI (US)

4,739,928 A	4/1988	O'Neil	
4,913,350 A	4/1990	Purzycki	
5,647,053 A	7/1997	Schroeder et al.	
5,810,265 A	9/1998	Cornelius et al.	
5,840,246 A	11/1998	Hammons et al.	
5,909,845 A	6/1999	Greatbatch et al.	
D434,481 S	11/2000	Bornstein et al.	
6,899,280 B2	5/2005	Kotary et al.	
7,055,764 B1	6/2006	Martinez et al.	
7,281,670 B2 *	10/2007	Lakatos et al.	239/44
7,309,024 B2	12/2007	Hansen et al.	
7,441,755 B2	10/2008	O'Leary et al.	
7,469,842 B2	12/2008	Martens, III	
7,481,380 B2	1/2009	Kvietok et al.	
D594,539 S	6/2009	Lu	
D596,732 S	7/2009	Butler et al.	
D605,746 S	12/2009	Butler et al.	
D620,574 S	7/2010	Jorgensen	

(\*\*) Term: **14 Years**

(21) Appl. No.: **29/428,004**

(22) Filed: **Jul. 25, 2012**

**Related U.S. Application Data**

- (62) Division of application No. 29/369,532, filed on Sep. 9, 2010, now Pat. No. Des. 666,705.
- (51) **LOC (9) Cl.** ..... **28-99**
- (52) **U.S. Cl.** ..... **D23/366**
- (58) **Field of Classification Search** ..... D23/355-369, D23/208; D28/5, 6; 261/DIG. 17, DIG. 42, 261/DIG. 65, DIG. 88, DIG. 89; 392/386, 392/390, 394, 395; 239/34, 44, 53, 55, 56, 239/326; D26/14, 17, 98, 9, 22, 24; D11/131.1; D7/509, 522, 524, 537  
See application file for complete search history.

(56) **References Cited**

**U.S. PATENT DOCUMENTS**

D73,861 S	11/1927	Nicholson	
2,802,695 A *	8/1957	Johnson	239/44
3,550,853 A *	12/1970	Gray	239/44

(Continued)

*Primary Examiner* — Sandra Snapp

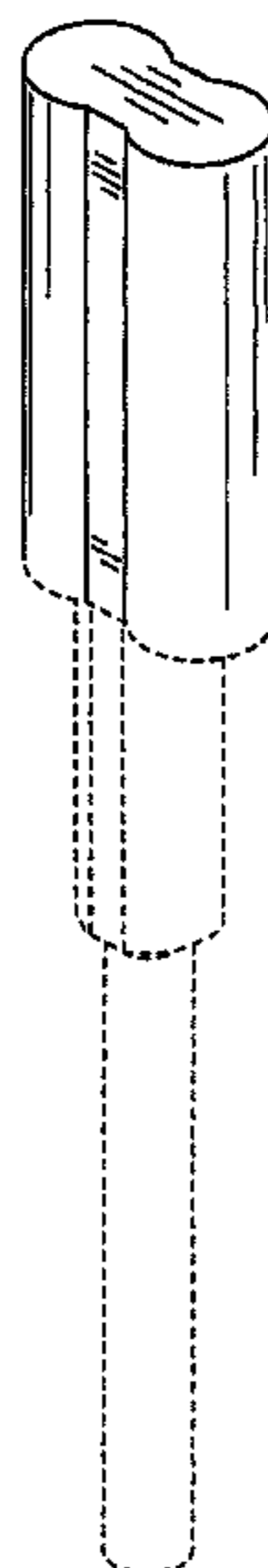
(57) **CLAIM**

The ornamental design for a wick, as shown and described.

**DESCRIPTION**

FIG. 1 is a top isometric view of an embodiment of a wick of the present invention;  
 FIG. 2 is a front elevational view of the wick of FIG. 1, a rear elevational view being identical thereto;  
 FIG. 3 is an elevational view of a first side of the wick of FIG. 1, a second side of the wick opposite the first side being identical thereto;  
 FIG. 4 is a top elevational view of the wick of FIG. 1;  
 FIG. 5 is a bottom elevational view of the wick of FIG. 1; and,  
 FIG. 6 is a front elevational view of the wick of FIG. 1 within a container.  
 The subject matter shown in the figures above in dashed lines forms no part of the claimed invention. Further, the bottom views form no part of the claimed invention.

**1 Claim, 3 Drawing Sheets**



# US D674,475 S

Page 2

---

## U.S. PATENT DOCUMENTS

7,819,336	B2	10/2010	Newman	2004/0262419	A1	12/2004	Kotary et al.
D652,131	S	1/2012	Ritzenhoff	2004/0262420	A1	12/2004	Hansen et al.
D656,598	S	3/2012	Motyliniski et al.	2005/0167521	A1	8/2005	Glasser
D661,789	S	6/2012	Brown	2006/0231641	A1	10/2006	Uchiyama et al.
2002/0136886	A1	9/2002	He et al.	2006/0233538	A1	10/2006	Tollens et al.
2003/0098362	A1	5/2003	Chuang	2008/0093475	A1	4/2008	Belongia et al.
2004/0065749	A1	4/2004	Kotary et al.	2008/0217425	A1	9/2008	Butler et al.
2004/0074982	A1	4/2004	Kotary et al.	2008/0308648	A1	12/2008	Pesu
2004/0182949	A1	9/2004	Duston et al.	2009/0039174	A1	2/2009	Gaines et al.
2004/0184969	A1	9/2004	Kotary et al.	2009/0101729	A1	4/2009	Newman

\* cited by examiner

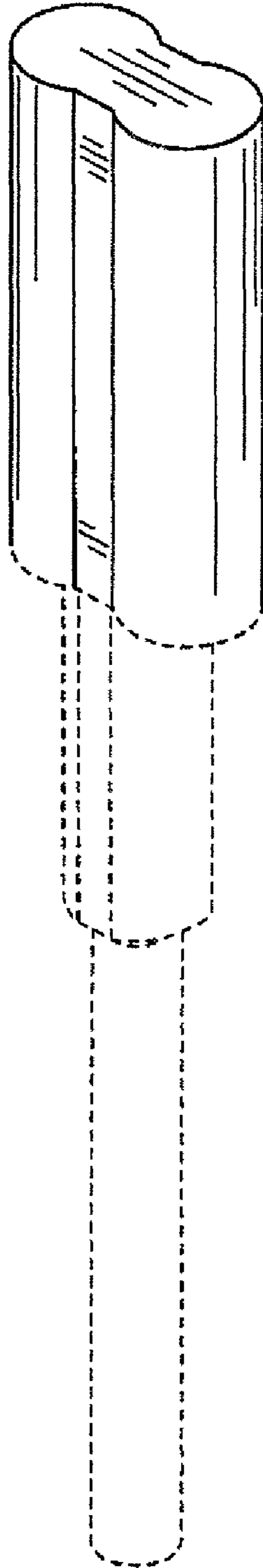


FIG. 1

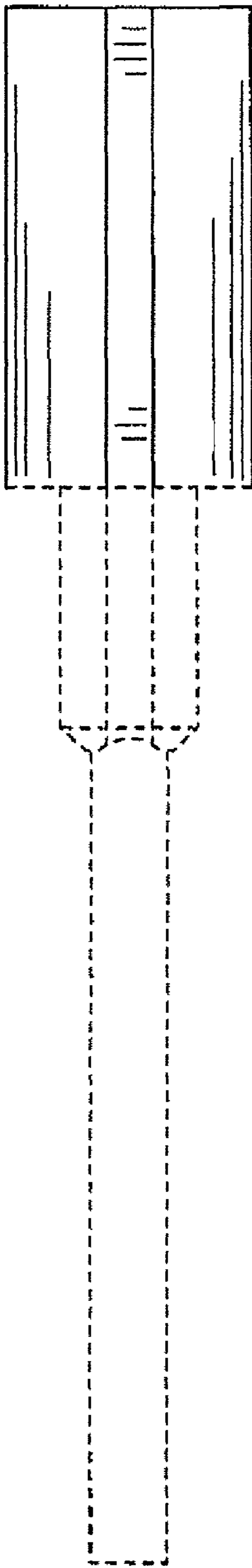


FIG. 2



FIG. 3

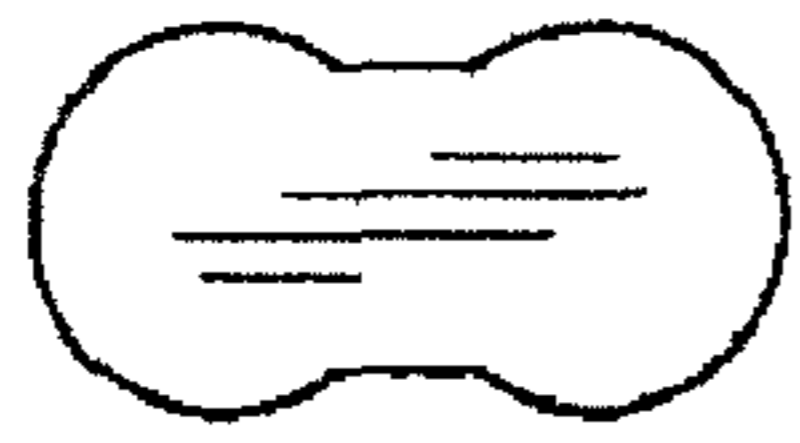


FIG. 4

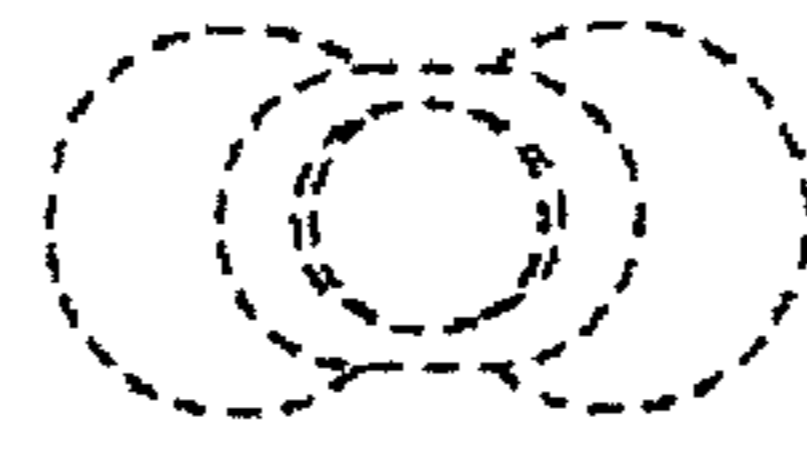


FIG. 5

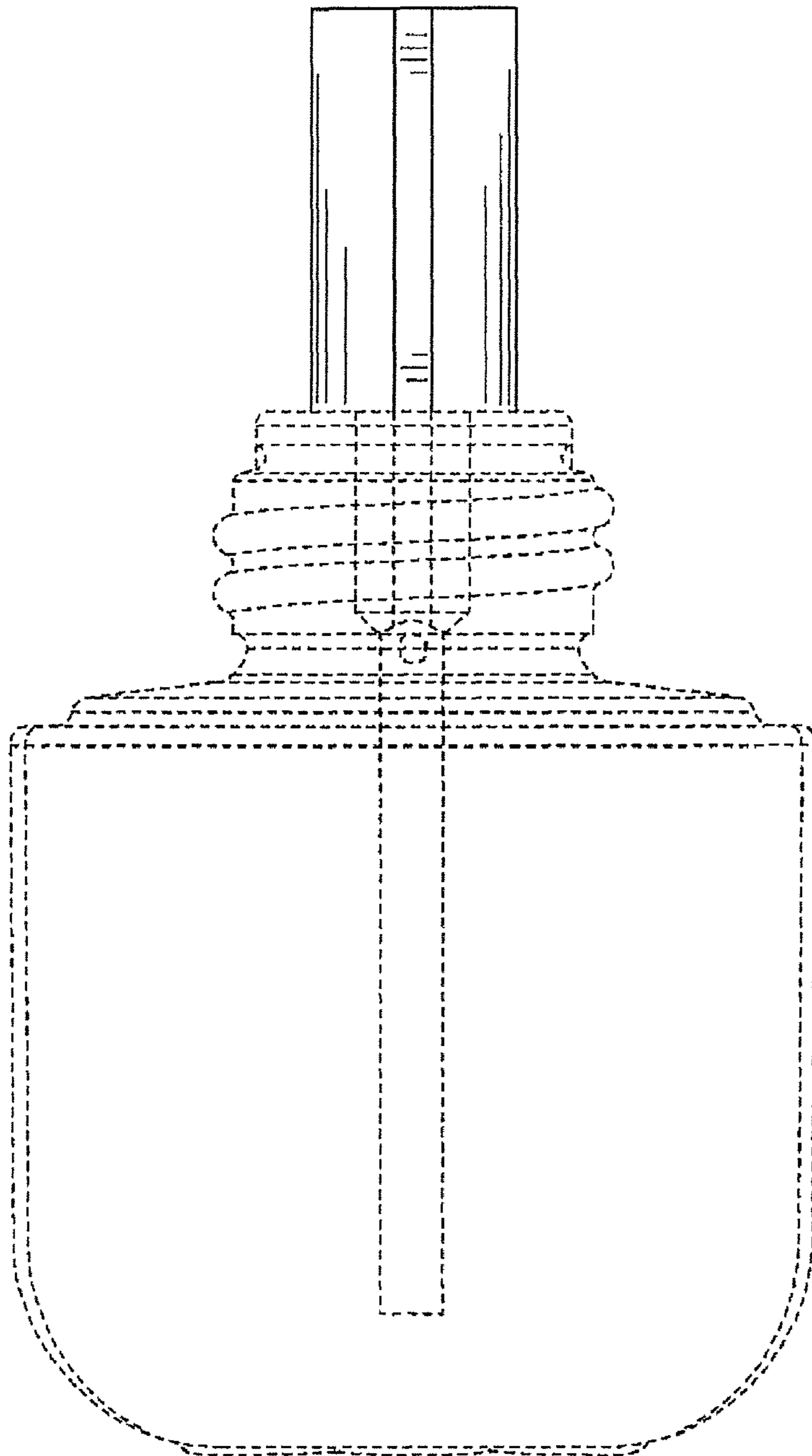


FIG. 6