



US00D674474S

(12) **United States Design Patent**  
**Rentschler**

(10) **Patent No.:** **US D674,474 S**

(45) **Date of Patent:** **\*\* Jan. 15, 2013**

(54) **AIR CLEANER**

(75) Inventor: **Sven Rentschler**, Sersheim (DE)

(73) Assignee: **Rentschler Reven-Lüftungssysteme GmbH**, Sersheim (DE)

(\*\*) Term: **14 Years**

(21) Appl. No.: **29/419,563**

(22) Filed: **Apr. 30, 2012**

(30) **Foreign Application Priority Data**

Feb. 13, 2012 (EM) ..... 001990771

(51) **LOC (9) Cl.** ..... **23-04**

(52) **U.S. Cl.** ..... **D23/364**

(58) **Field of Classification Search** ..... D23/355-366,  
D23/352, 369, 332, 333, 335, 336, 342, 351,  
D23/393, 370, 386, 371; 422/120, 122; 55/356,  
55/473, 504; 96/97; D14/188, 170, 172;  
261/DIG. 17, DIG. 65, DIG. 88, DIG. 31;  
D18/34.6

See application file for complete search history.

(56) **References Cited**

**U.S. PATENT DOCUMENTS**

D282,275 S *	1/1986	Price	.....	D23/393
D316,447 S *	4/1991	Woodson et al.	.....	D23/365
D319,499 S *	8/1991	Hague	.....	D23/370
D345,009 S *	3/1994	Lewis et al.	.....	D23/333
D348,727 S *	7/1994	Sawyer	.....	D23/355

D349,333 S *	8/1994	King	.....	D23/386
D366,522 S *	1/1996	Lagace et al.	.....	D23/370
D371,435 S *	7/1996	Locke	.....	D23/365
D405,170 S *	2/1999	Haeck	.....	D23/351
D445,886 S *	7/2001	Mori et al.	.....	D23/371
D566,256 S *	4/2008	Abate et al.	.....	D23/364
D656,601 S *	3/2012	Roderique et al.	.....	D23/386
D657,037 S *	4/2012	Lo	.....	D23/364

**OTHER PUBLICATIONS**

Reven Brochure, Reven Ultra-Cleaner, 5 pages, 2005.

\* cited by examiner

*Primary Examiner* — David Muller

(74) *Attorney, Agent, or Firm* — Lipsitz & McAllister, LLC

(57) **CLAIM**

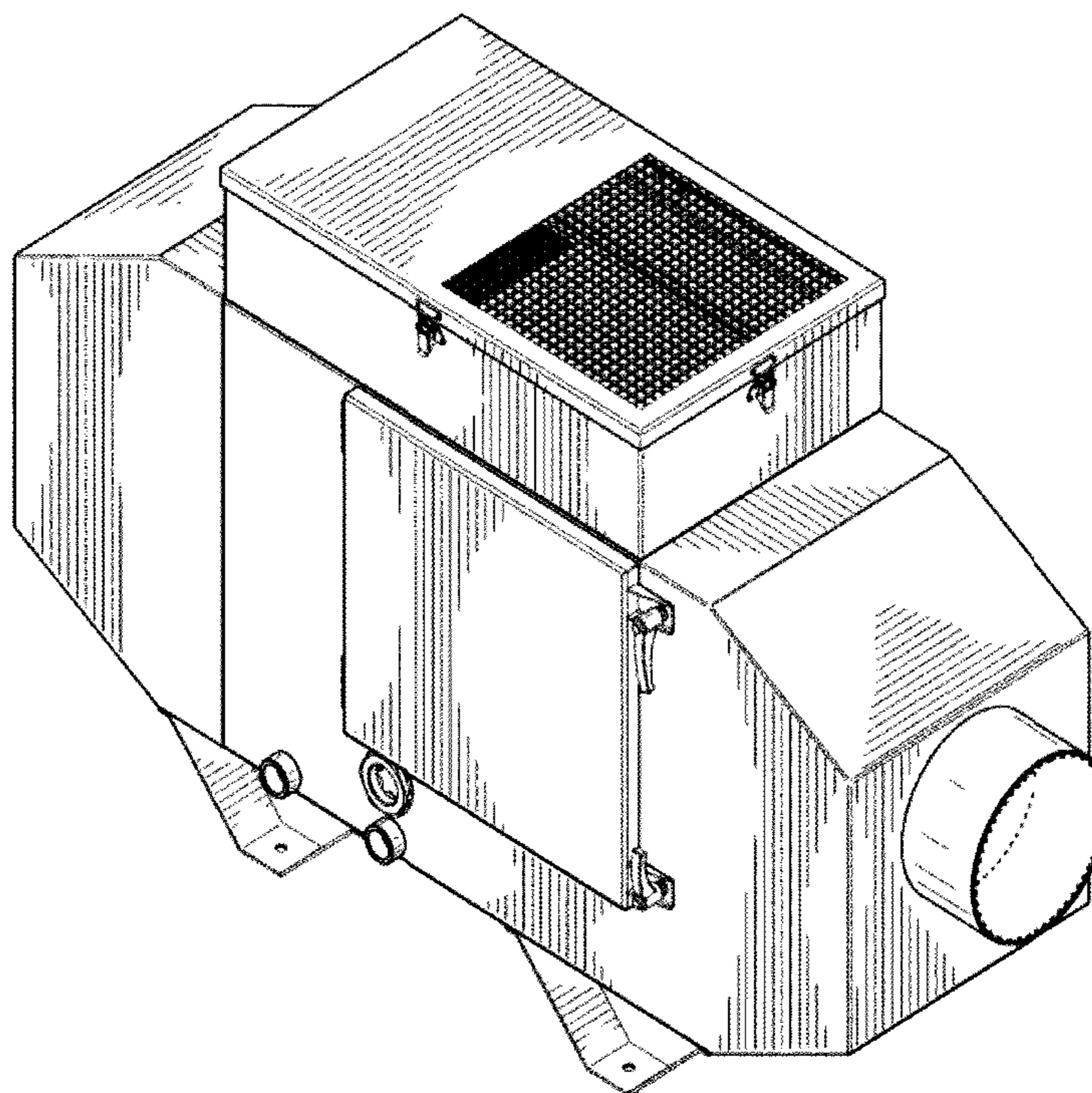
The ornamental design for an air cleaner, as shown and described.

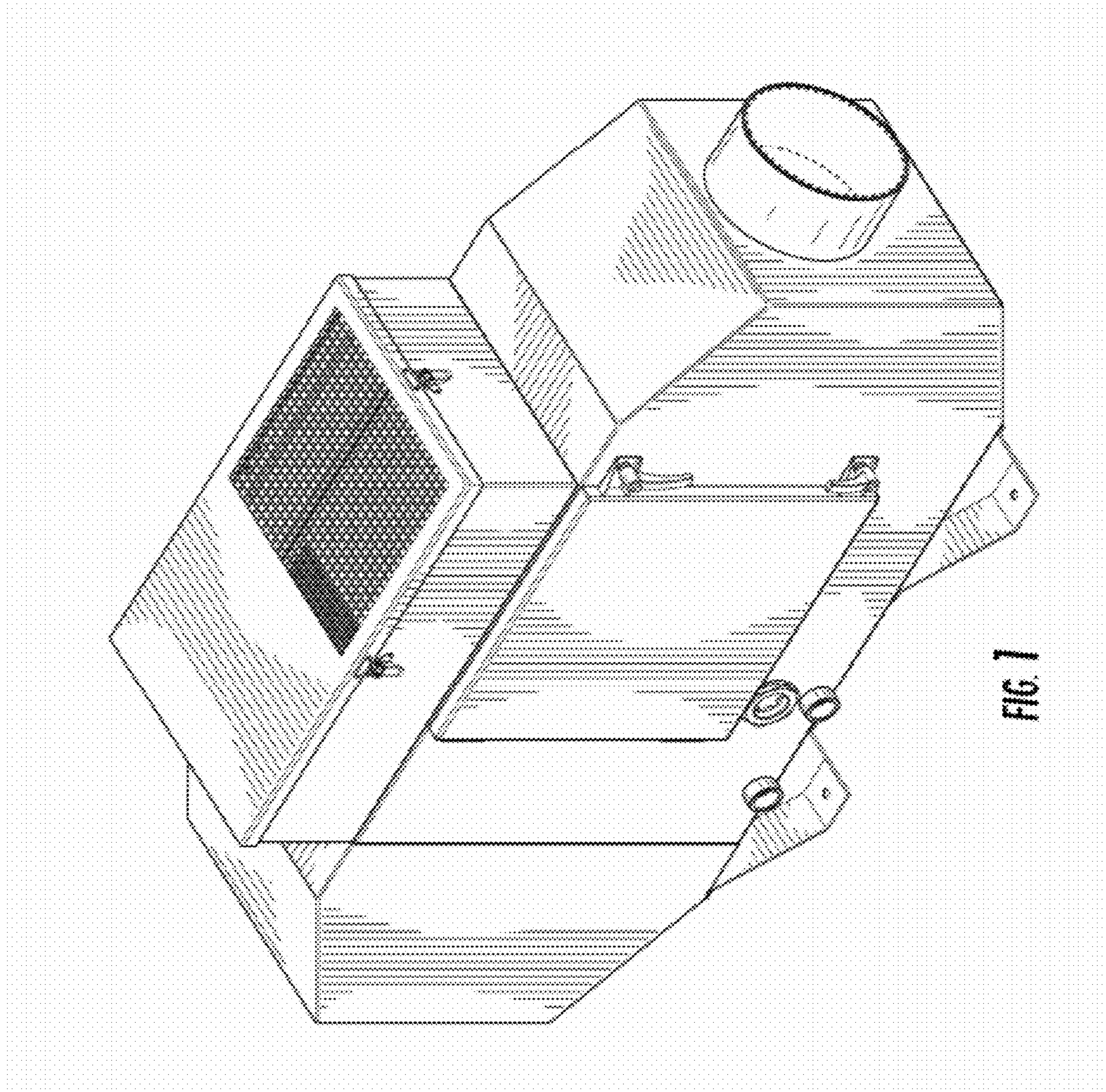
**DESCRIPTION**

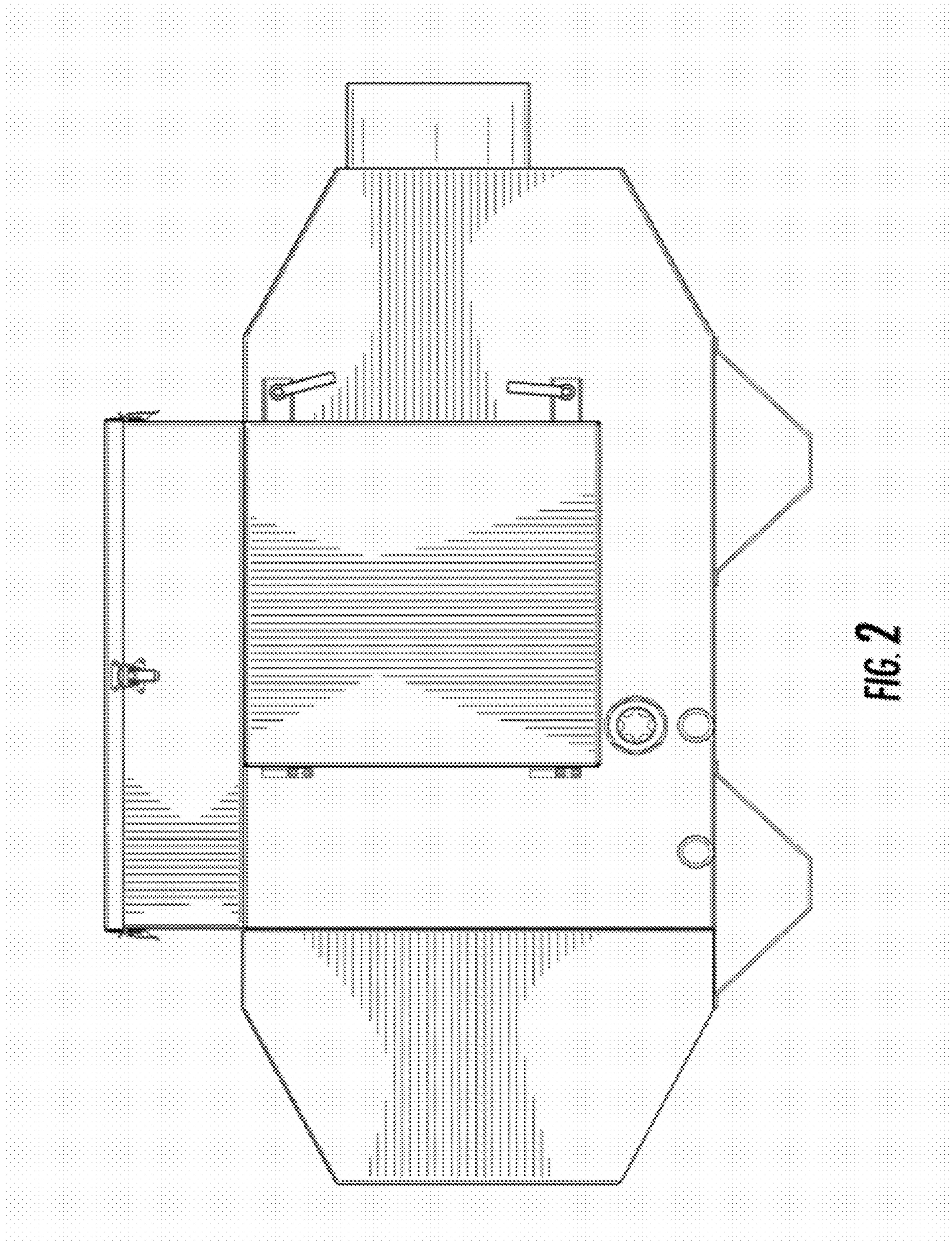
FIG. 1 is a front, top and right side perspective view of an air cleaner showing my new design;  
FIG. 2 is a front elevational view of the design;  
FIG. 3 is a left side elevational view of the design;  
FIG. 4 is a rear elevational view of the design;  
FIG. 5 is a right side elevational view of the design;  
FIG. 6 is a top plan view of the design; and,  
FIG. 7 is a bottom plan view of the design.

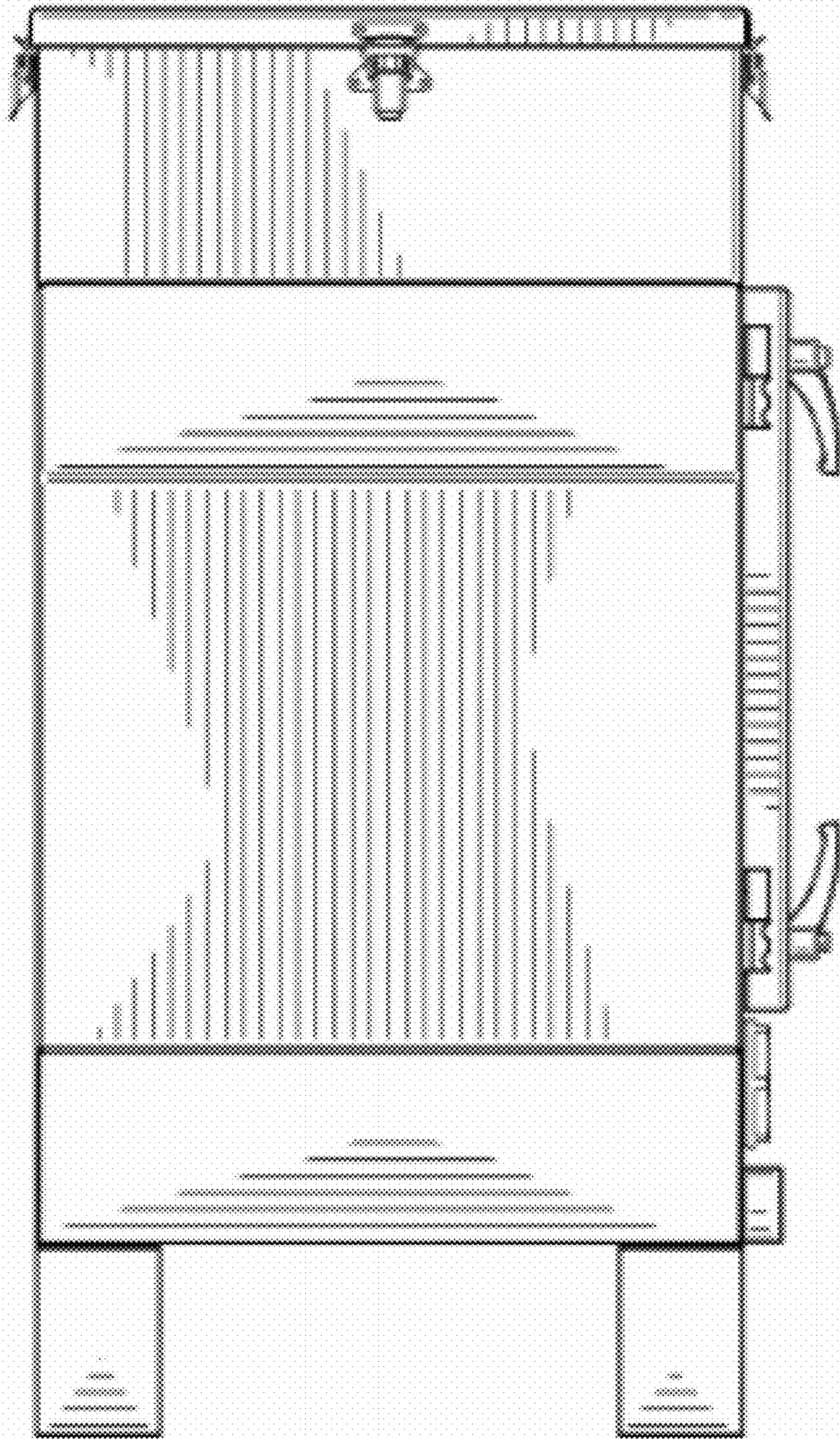
The broken line showing of various elements in the drawings is for the purpose of illustrating interior portions of the device and forms no part of the claimed design.

**1 Claim, 7 Drawing Sheets**









**FIG. 3**

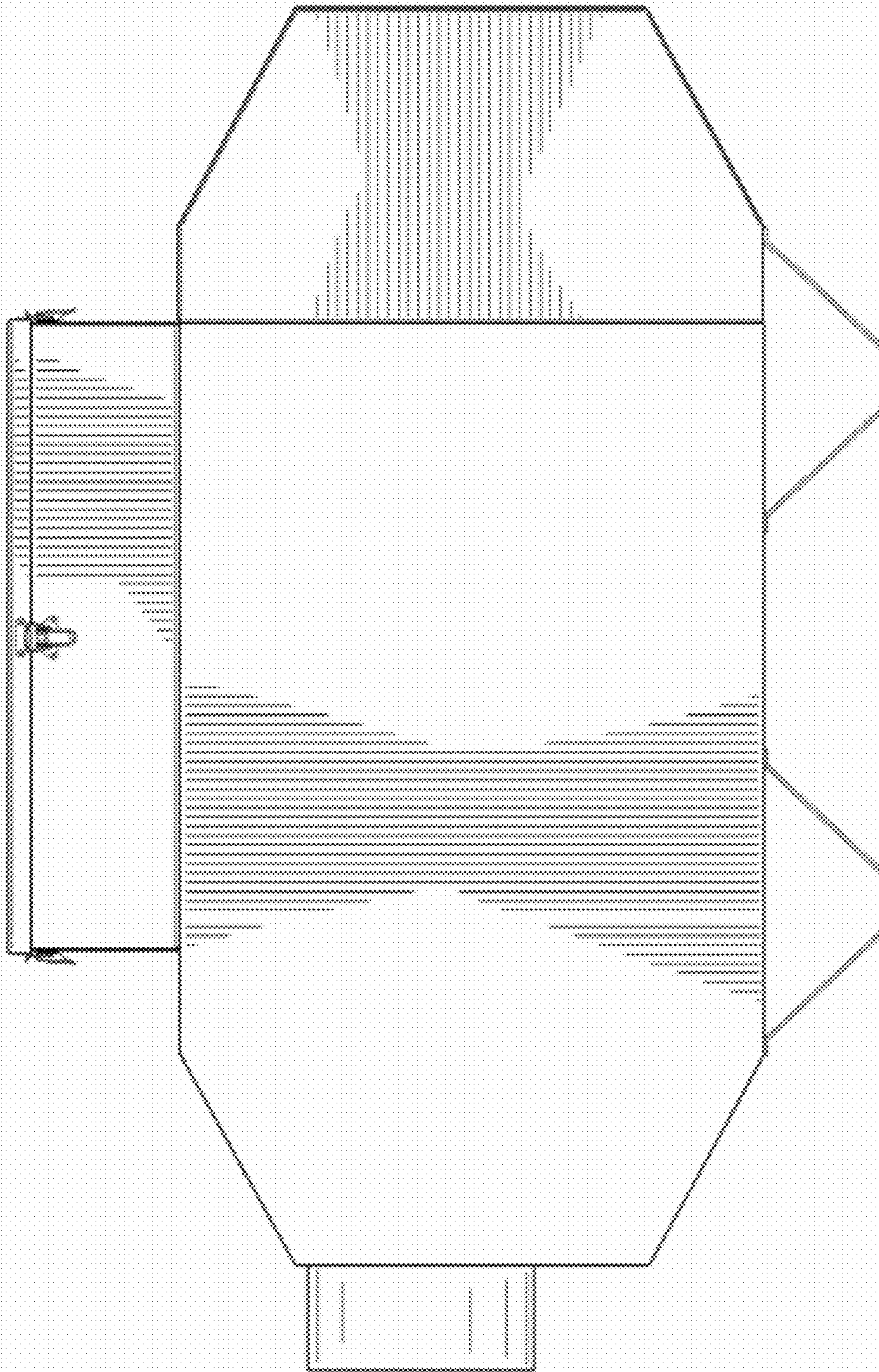


FIG. 4

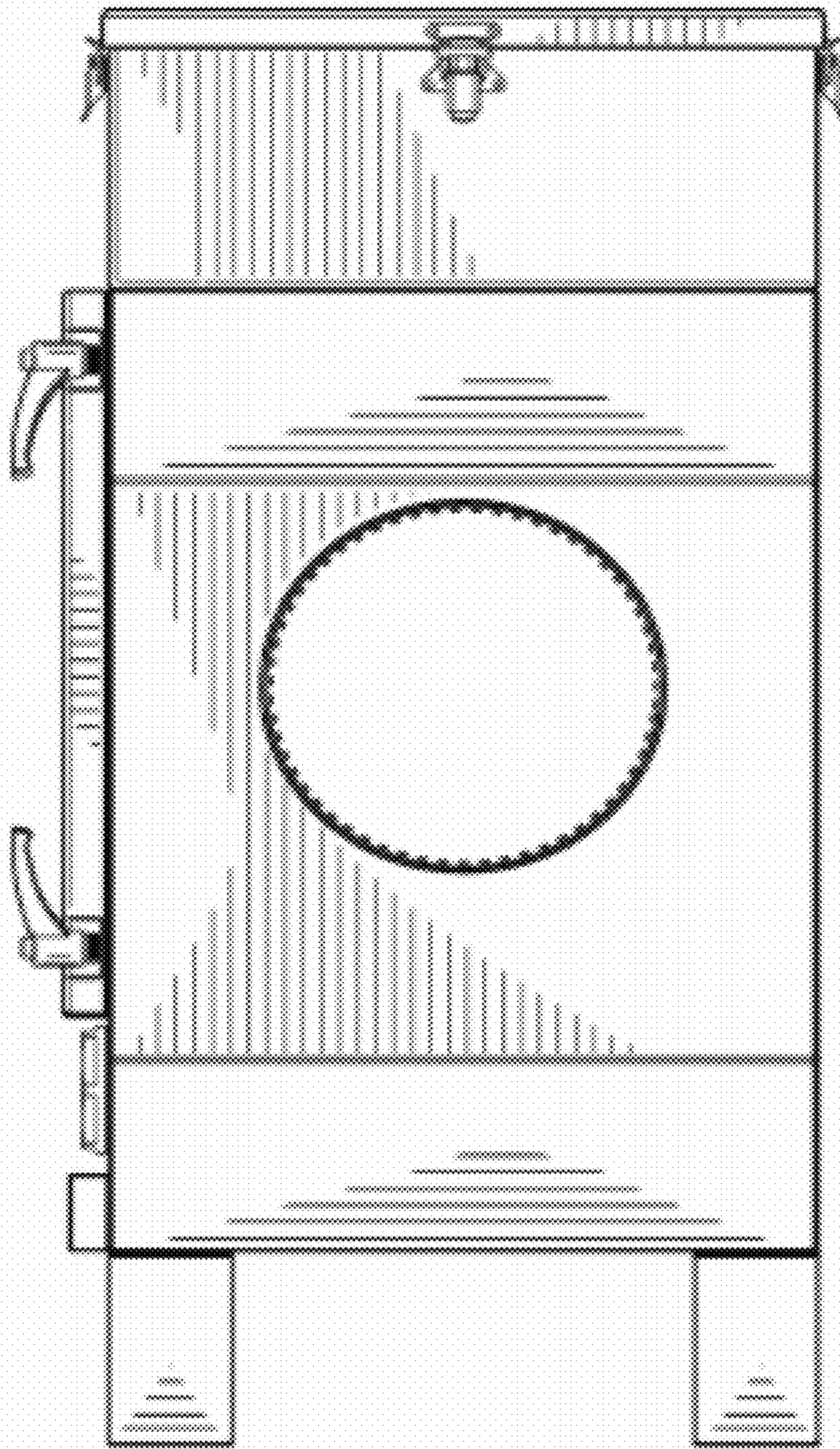


FIG. 5

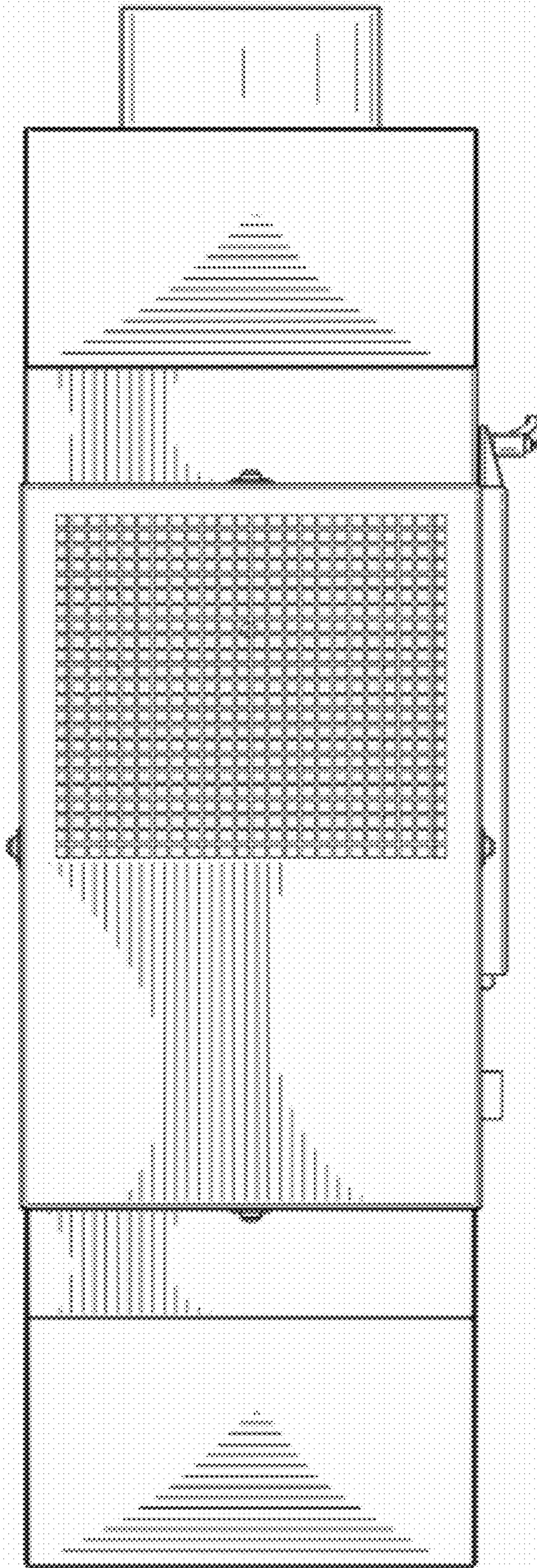


FIG. 6

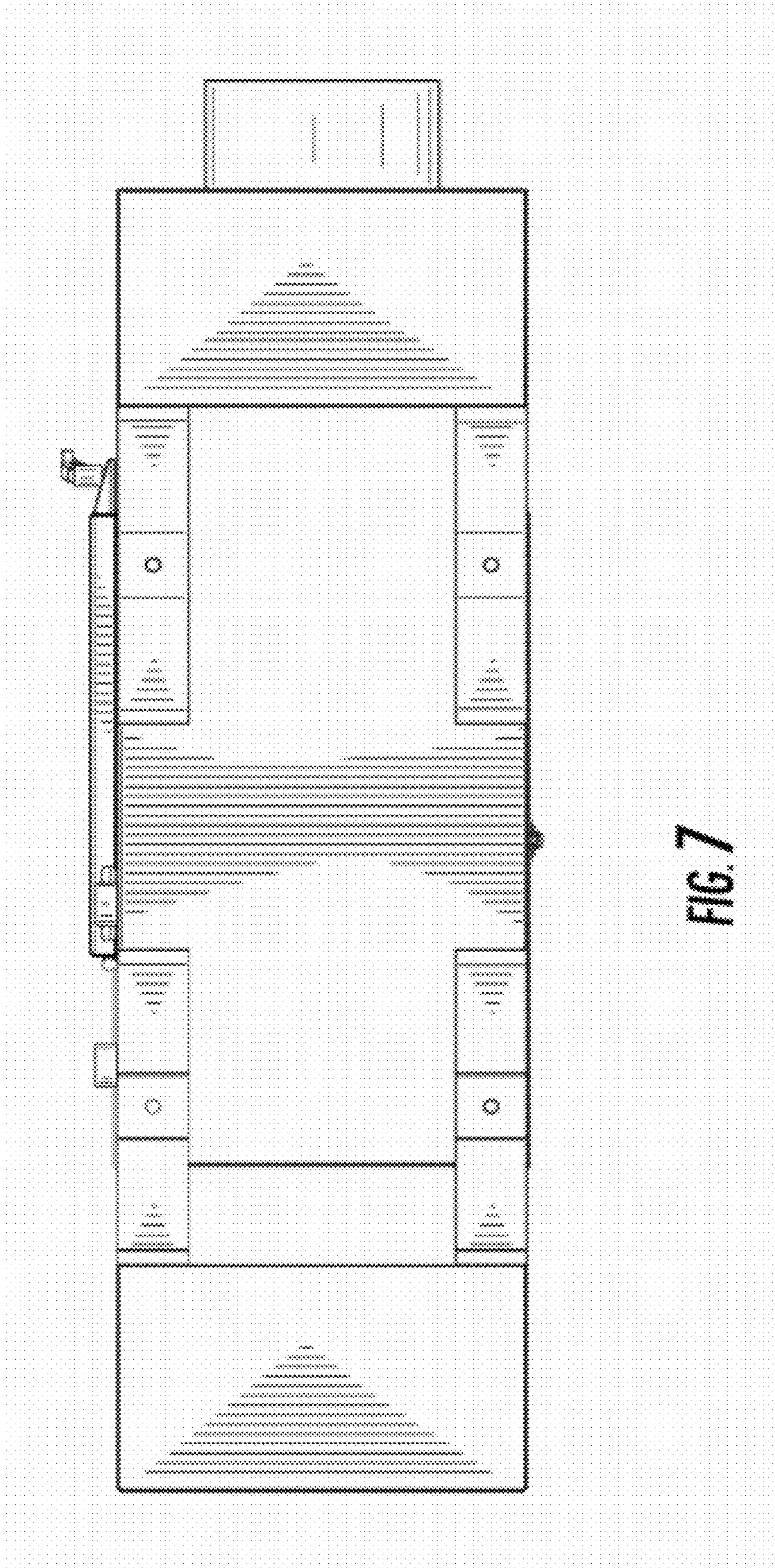


FIG. 7