



US00D674473S

(12) **United States Design Patent**
Euse

(10) **Patent No.:** **US D674,473 S**
(45) **Date of Patent:** **** Jan. 15, 2013**

(54) **BASIN**

(76) Inventor: **Peter F. Euse**, Bonita Springs, FL (US)

(**) Term: **14 Years**

(21) Appl. No.: **29/404,306**

(22) Filed: **Oct. 19, 2011**

(51) **LOC (9) Cl.** **23-02**

(52) **U.S. Cl.** **D23/286**

(58) **Field of Classification Search** D23/284,
D23/290, 308, 286; 4/619, 630
See application file for complete search history.

(56) **References Cited**

U.S. PATENT DOCUMENTS

D504,496 S * 4/2005 Bayer D23/293.1
D583,445 S * 12/2008 Lee et al. D23/284
D602,136 S * 10/2009 Lee et al. D23/287

D603,026 S * 10/2009 DeBoer et al. D23/286
D652,901 S * 1/2012 Didehvar et al. D23/284
2009/0100591 A1* 4/2009 Lee et al. 4/548

* cited by examiner

Primary Examiner — Robert Delehanty

(74) *Attorney, Agent, or Firm* — The Livingston Firm;
Edward M. Livingston, Esq.; Bryan L. Loeffler, Esq.

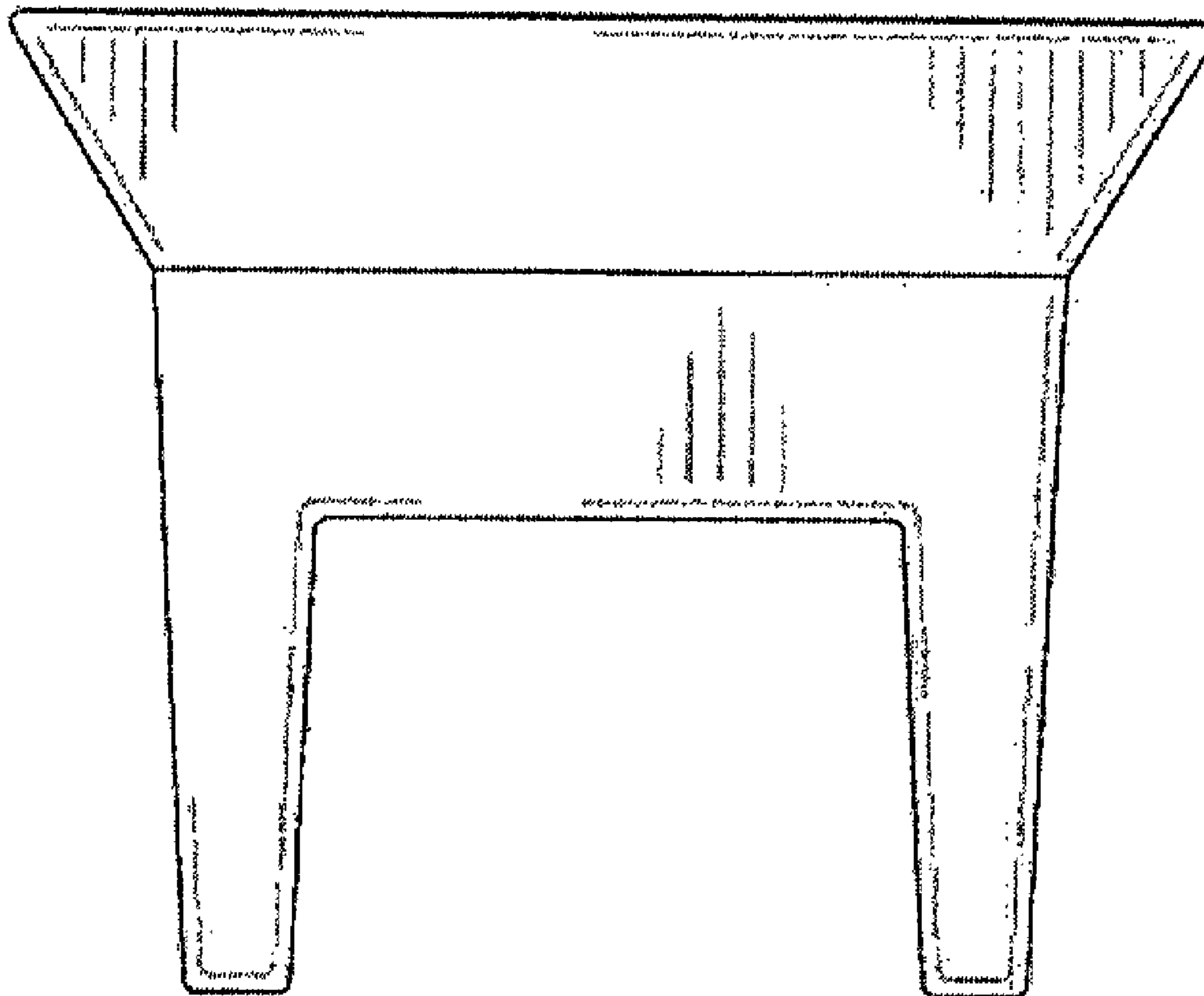
(57) **CLAIM**

The ornamental design for a basin, as shown and described.

DESCRIPTION

FIG. 1 is a front view of a basin of the present invention;
FIG. 2 is a rear view of the basin;
FIG. 3 is a left side view of the basin;
FIG. 4 is a right side view of the basin;
FIG. 5 is a left side perspective view of the basin;
FIG. 6 is a right side perspective view of the basin;
FIG. 7 is a top view of the basin;
FIG. 8 is a bottom view of the basin; and,
FIG. 9 is a cross-section view of the basin.

1 Claim, 3 Drawing Sheets



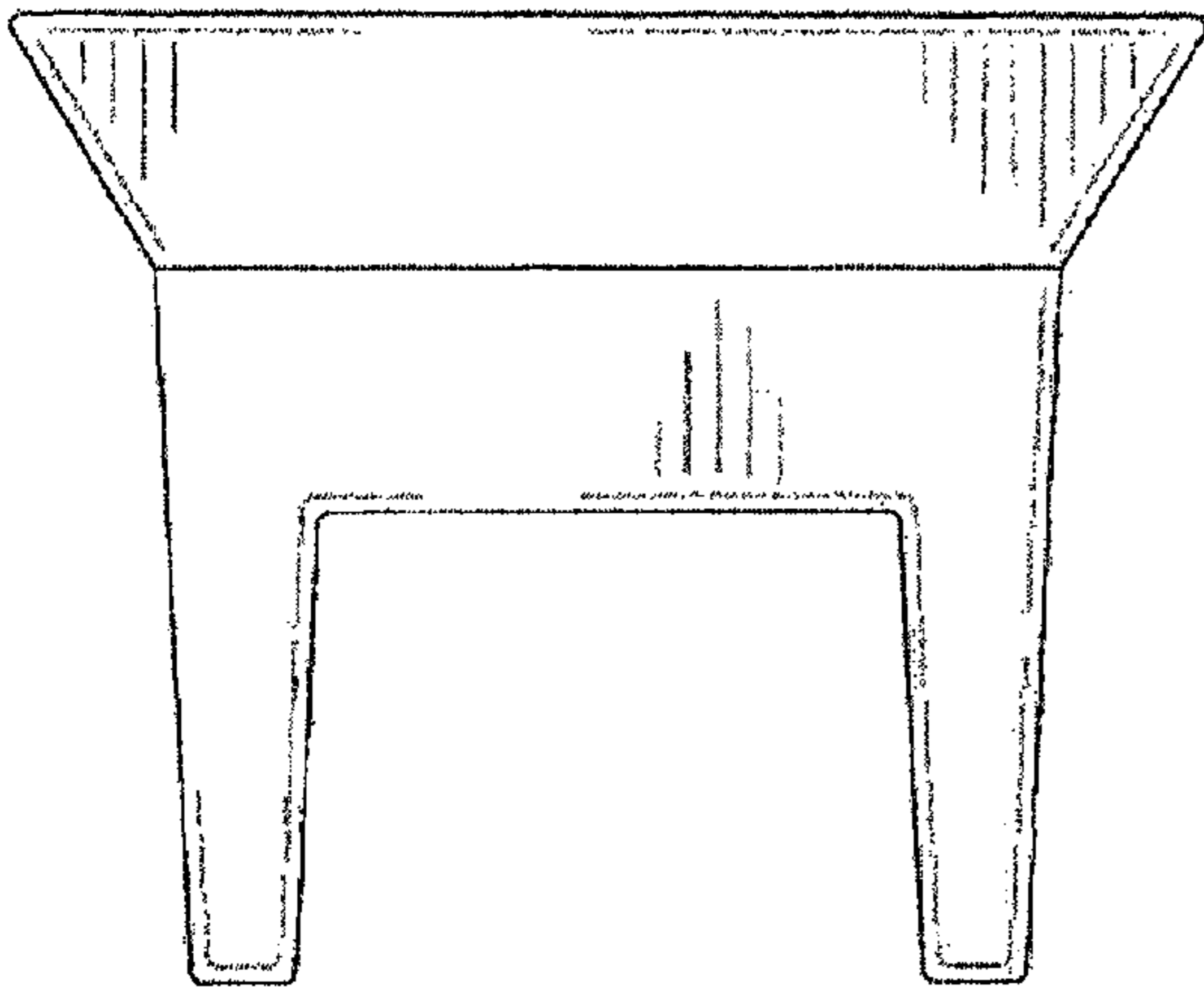


FIG. 1

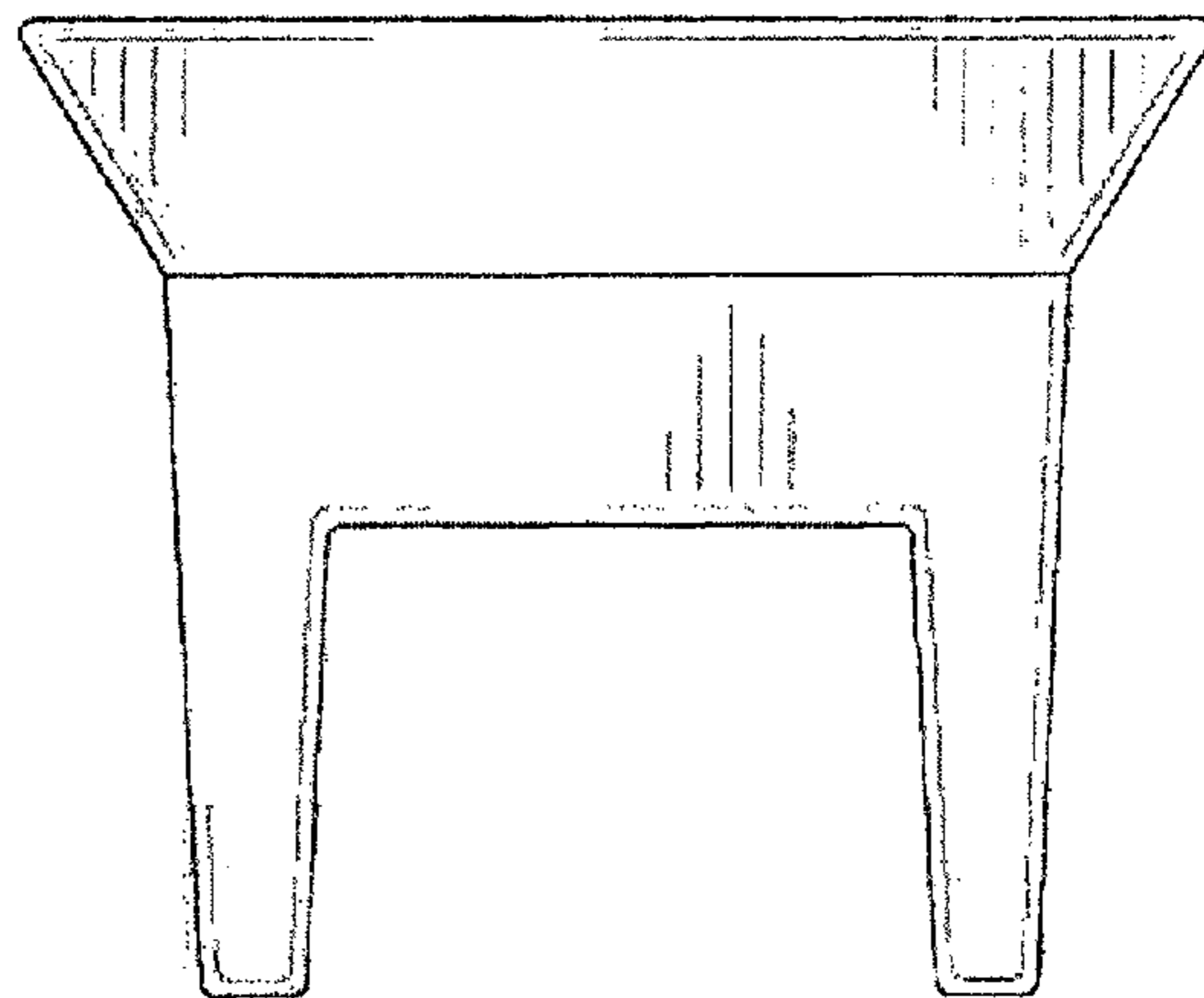


FIG. 2

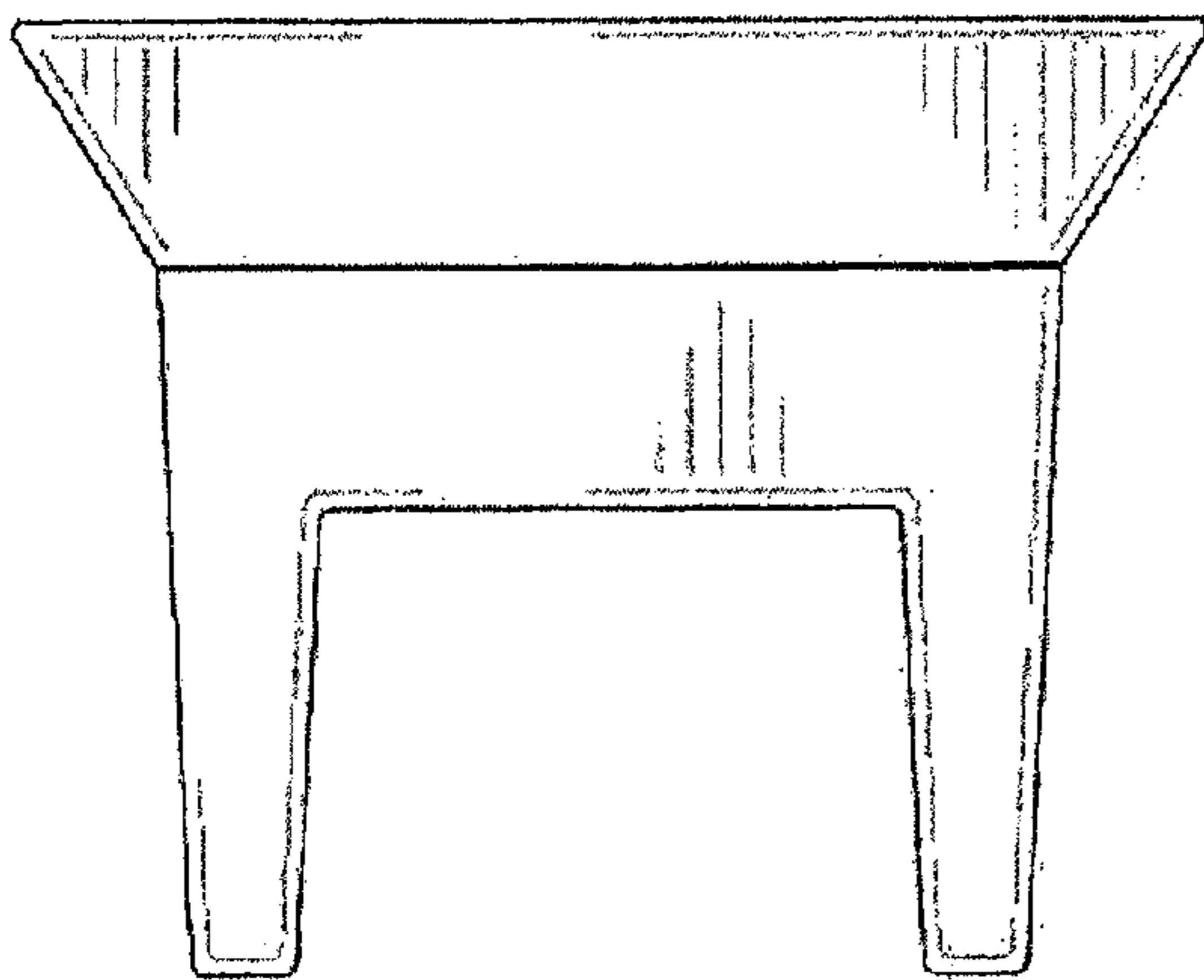


FIG. 3

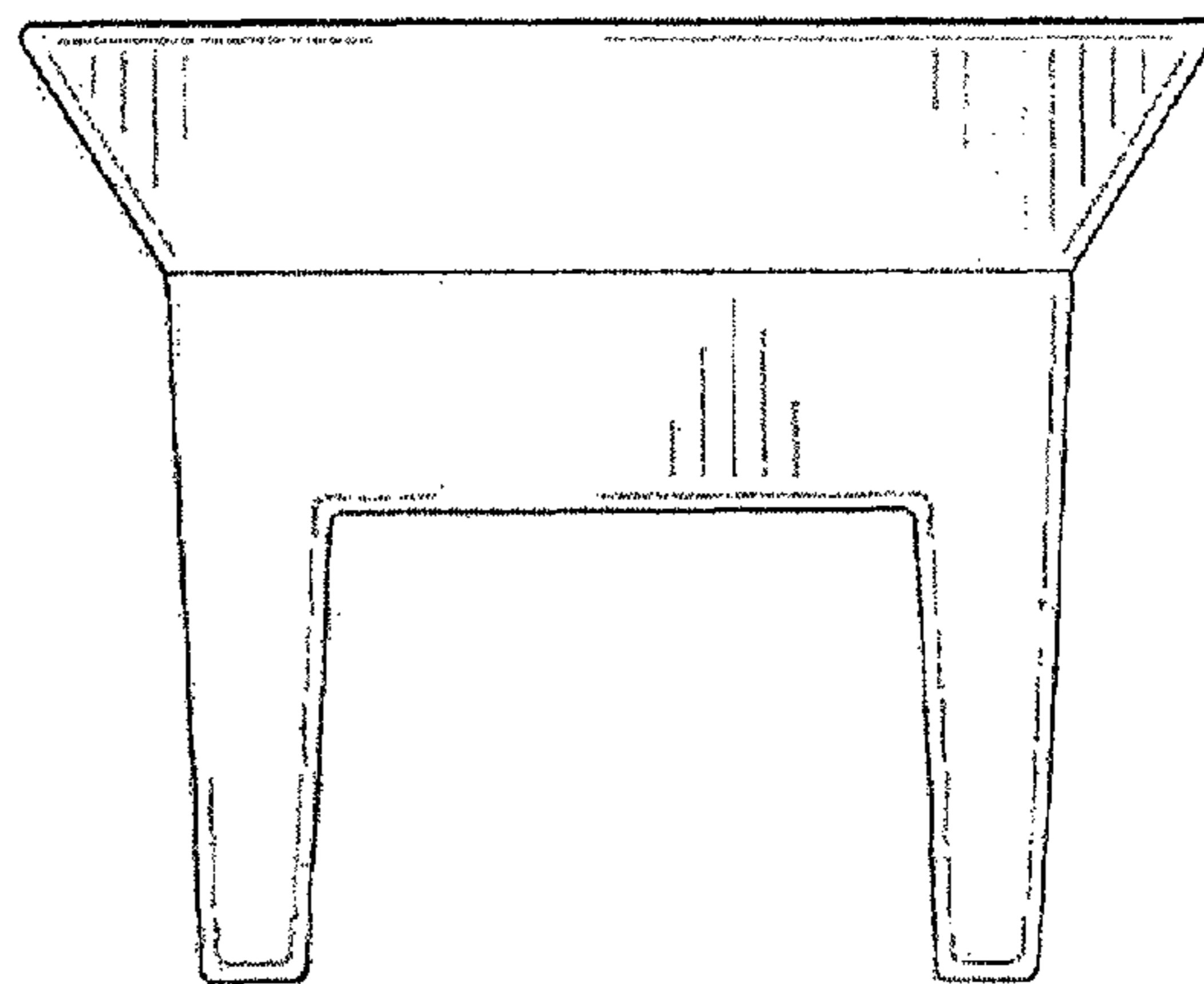


FIG. 4

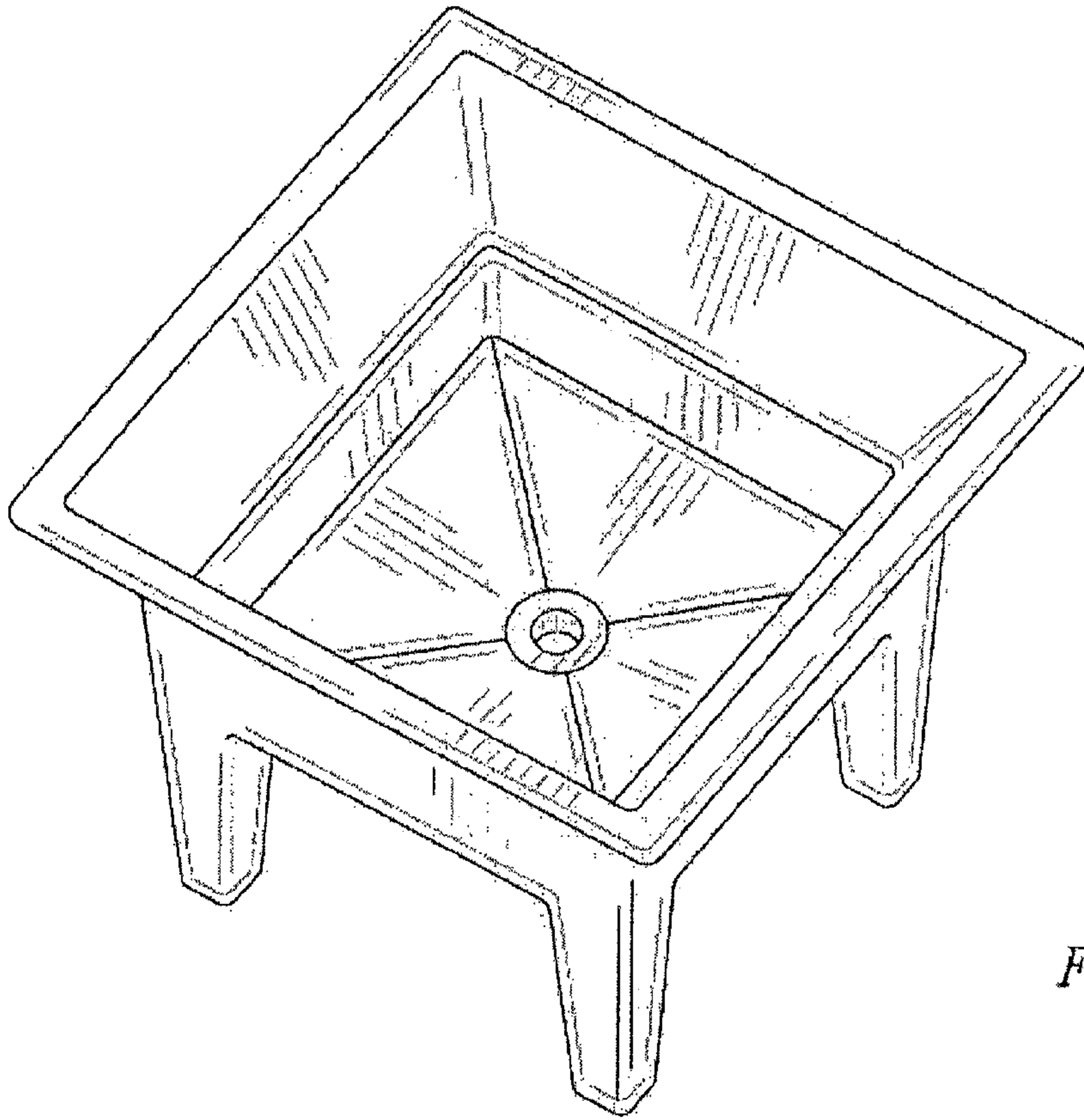


FIG. 5

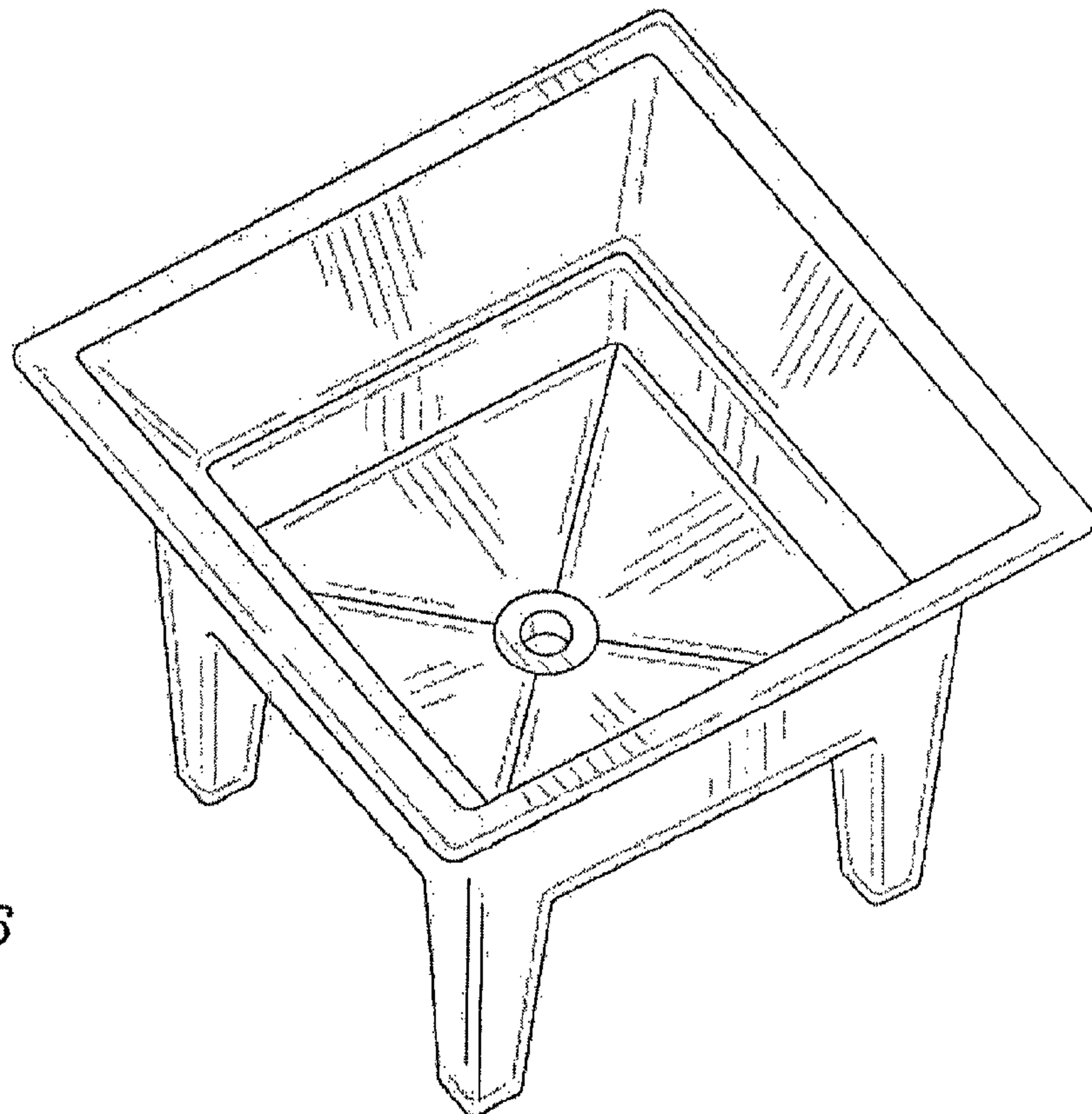


FIG. 6

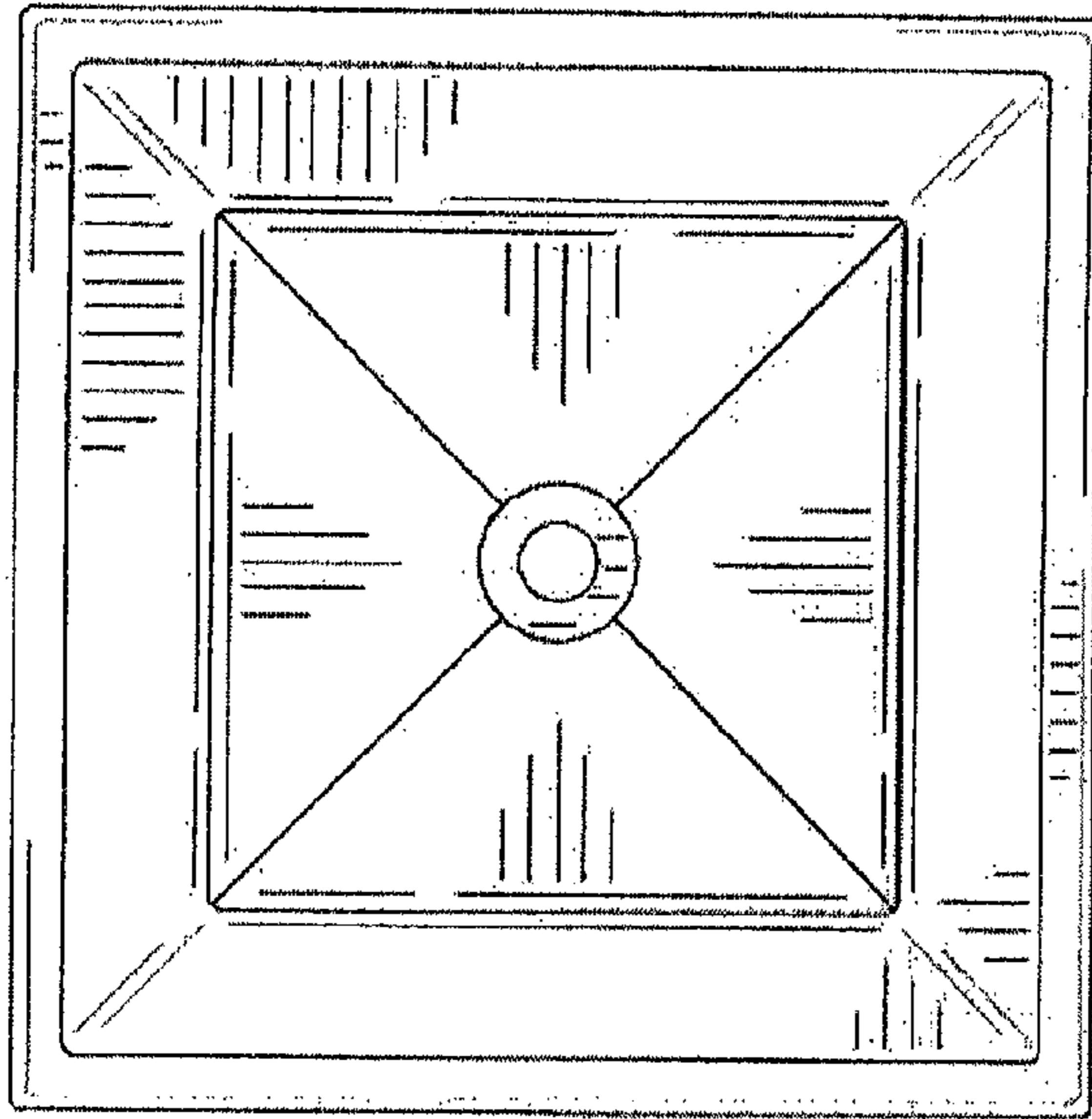


FIG. 7

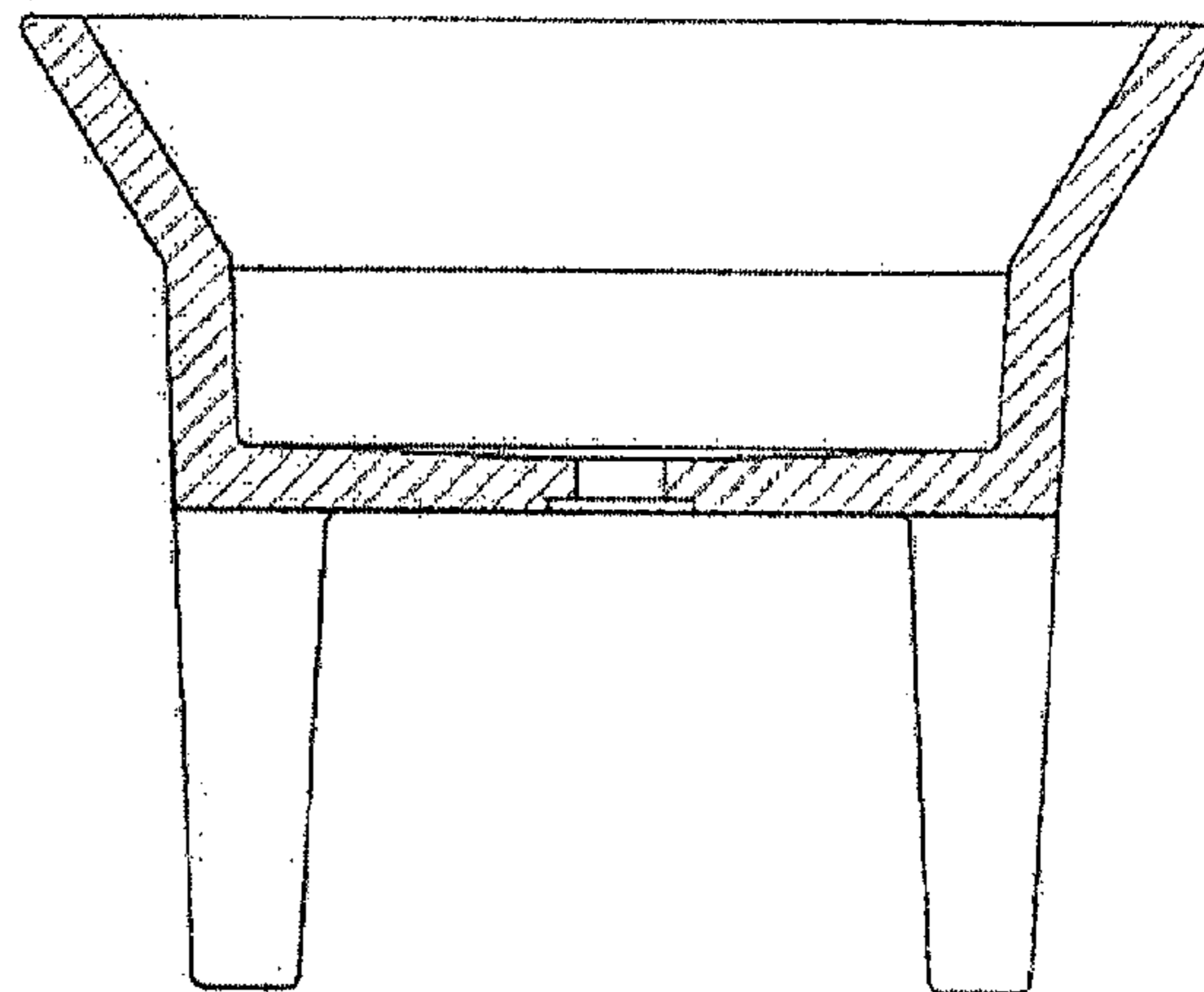


FIG. 9

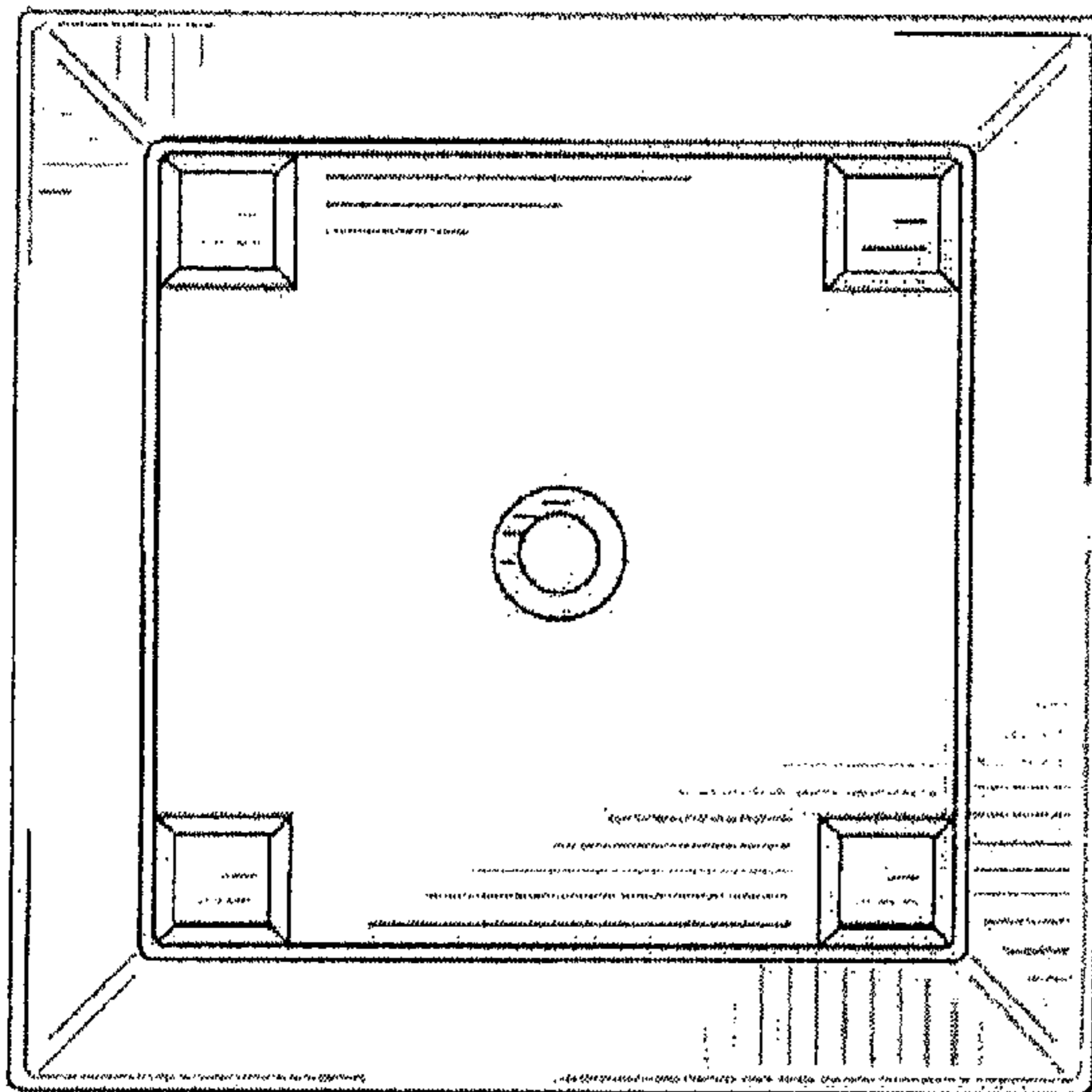


FIG. 8