



US00D674472S

(12) **United States Design Patent**
Oike et al.

(10) **Patent No.:** **US D674,472 S**

(45) **Date of Patent:** **** Jan. 15, 2013**

(54) **STEAM TRAP**

(75) Inventors: **Tadashi Oike**, Kakogawa (JP); **Tetsuo Asada**, Takasago (JP)

(73) Assignee: **TLV Co., Ltd.**, Hyogo (JP)

(**) Term: **14 Years**

(21) Appl. No.: **29/397,134**

(22) Filed: **Jul. 12, 2011**

(30) **Foreign Application Priority Data**

Jan. 17, 2011 (JP) 2011-000775

(51) **LOC (9) Cl.** **23-01**

(52) **U.S. Cl.** **D23/268**

(58) **Field of Classification Search** D23/259,
D23/268; 137/183, 192, 269; 263/58-59
See application file for complete search history.

(56) **References Cited**

U.S. PATENT DOCUMENTS

1,407,009	A *	2/1922	Wandless	236/58
1,627,271	A *	5/1927	Burrows	137/192
1,705,642	A *	3/1929	Miller	251/151
2,129,986	A *	9/1938	Berghoefer	236/58
2,781,173	A *	2/1957	Bahr	236/59
3,467,309	A *	9/1969	Fujiwara	236/59

3,645,444	A *	2/1972	Fujiwara	236/59
D237,965	S *	12/1975	Schlesch	D23/268
4,387,732	A *	6/1983	Hetz	137/183
4,427,149	A *	1/1984	Adachi	236/59
4,736,886	A *	4/1988	Oike	236/59
D338,708	S *	8/1993	Oike	D23/268
5,628,339	A *	5/1997	Isringhausen	137/269
7,316,241	B1 *	1/2008	Sharp et al.	137/183
2009/0044868	A1 *	2/2009	Chiang	137/183
2010/0024895	A1 *	2/2010	Parsons et al.	137/15.18

* cited by examiner

Primary Examiner — Eric Goodman

(74) *Attorney, Agent, or Firm* — The Webb Law Firm

(57) **CLAIM**

The ornamental design for a steam trap, as shown and described.

DESCRIPTION

FIG. 1 is a perspective view of a steam trap in accordance with our new design;

FIG. 2 is a right side view thereof;

FIG. 3 is a front view thereof;

FIG. 4 is a rear view thereof;

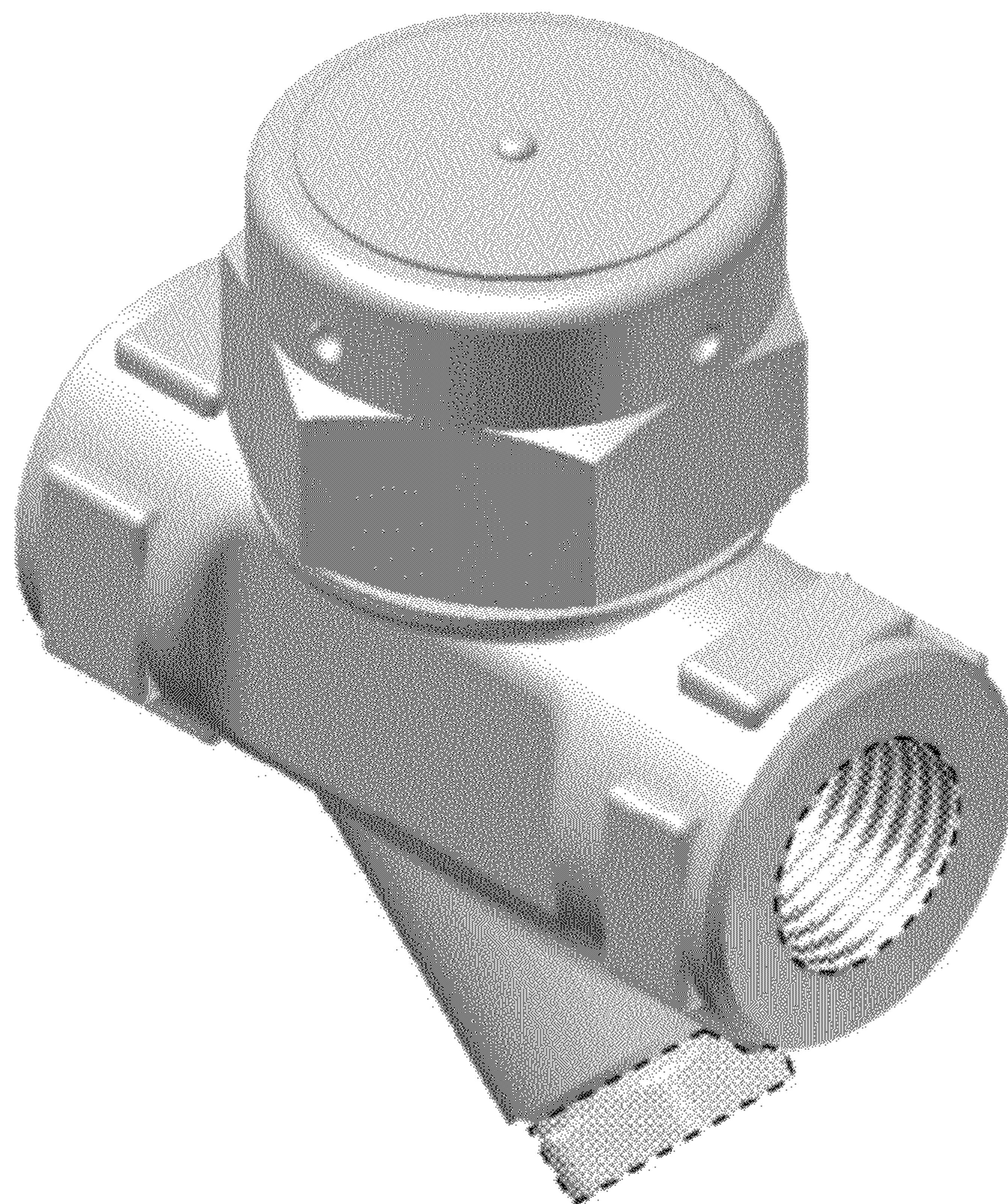
FIG. 5 is a left side view thereof;

FIG. 6 is a top plan view thereof; and,

FIG. 7 is a bottom view thereof.

The portions of the figures in coarse dot patterns and outlined in dashed lines illustrate portions that form no part of the claimed design.

1 Claim, 7 Drawing Sheets



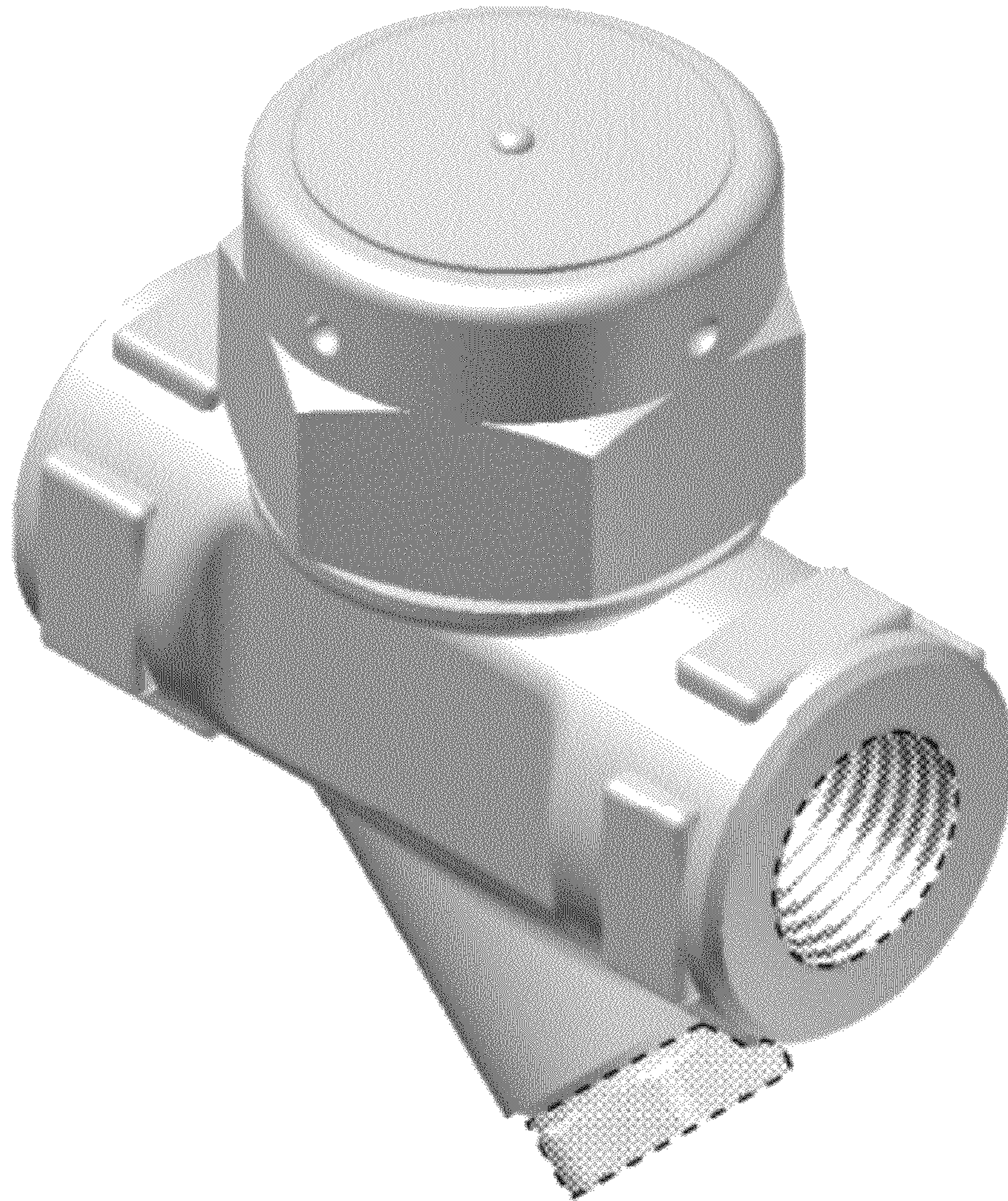


FIG. 1

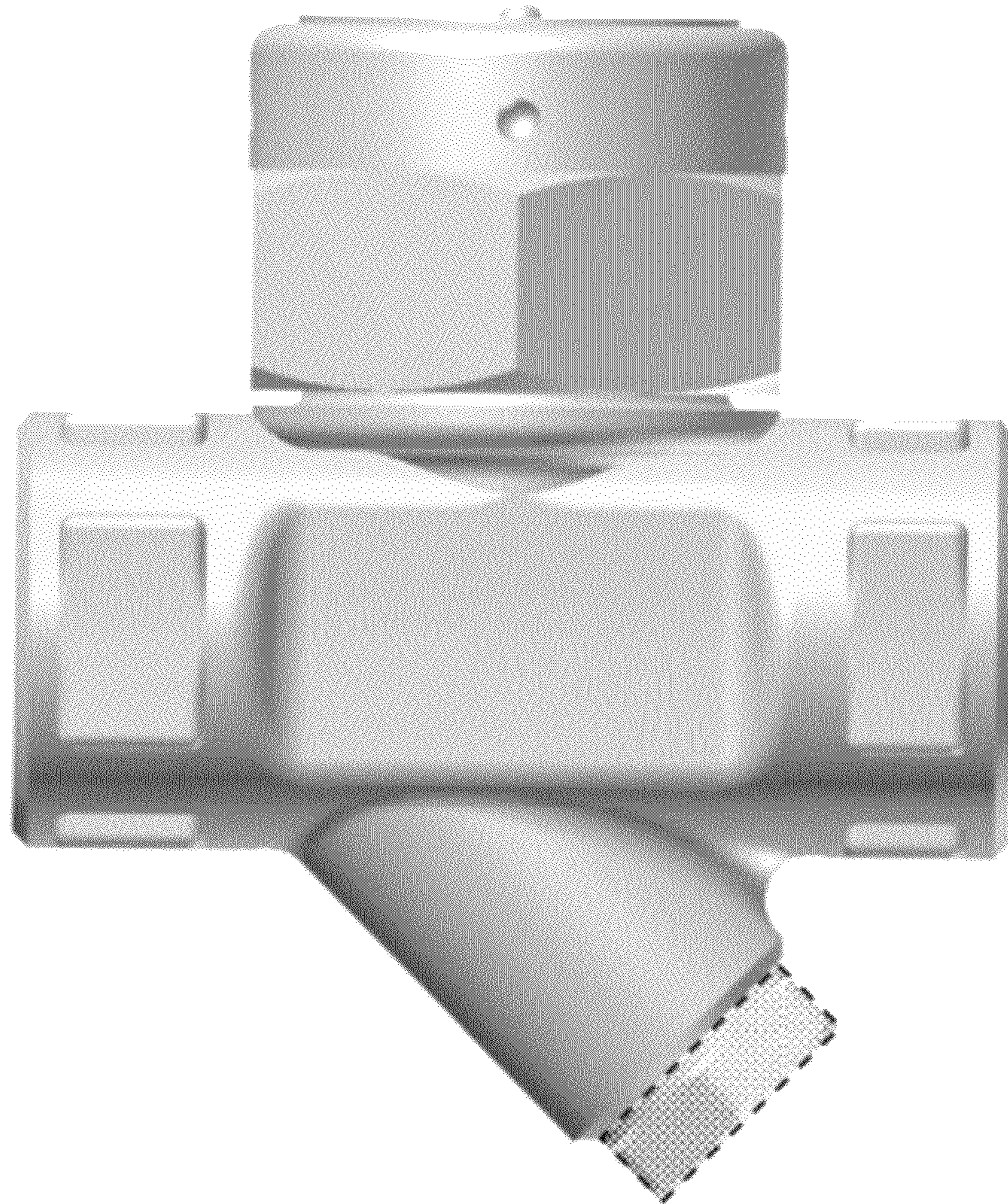


FIG. 2

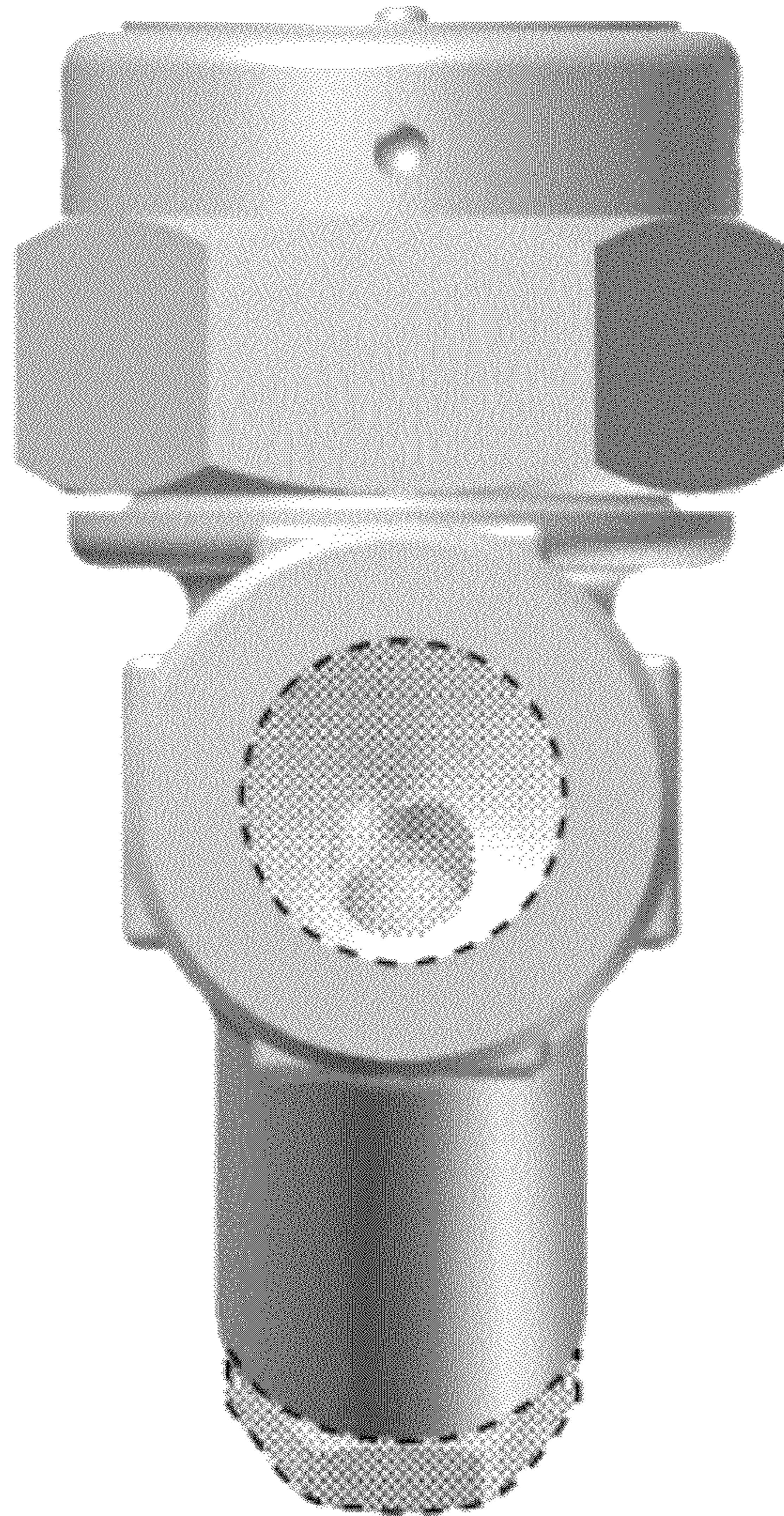


FIG. 3

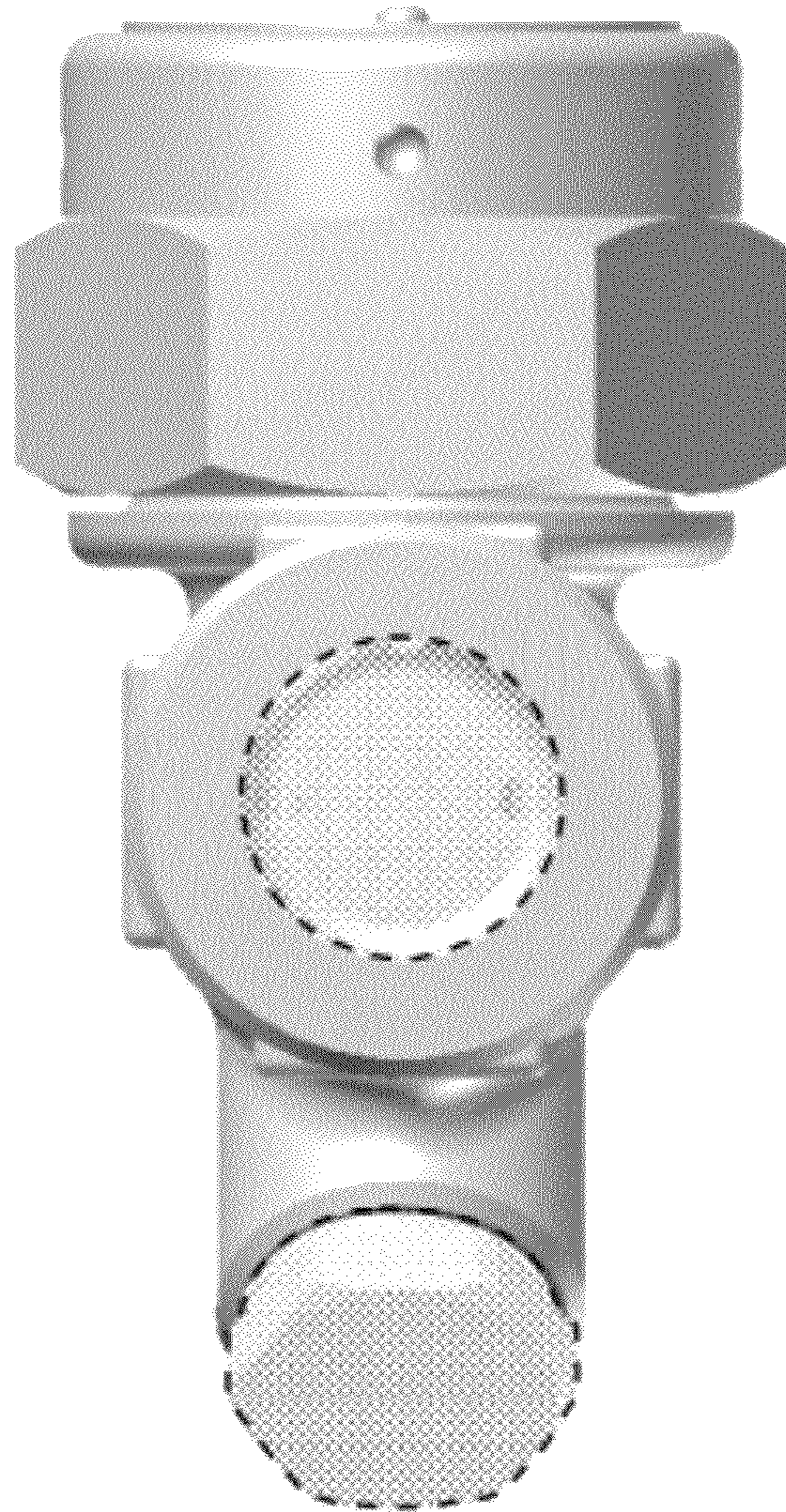


FIG. 4

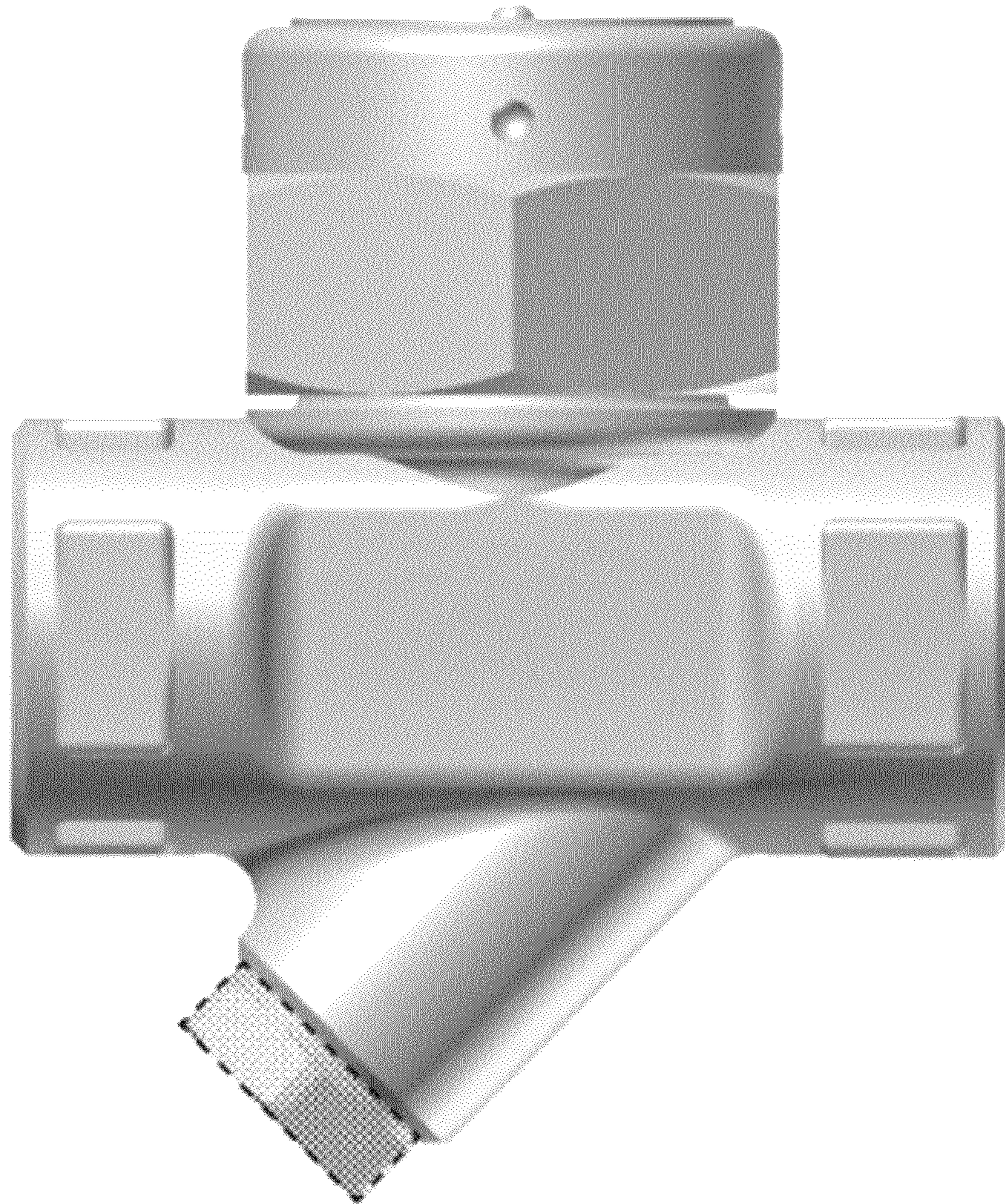


FIG. 5

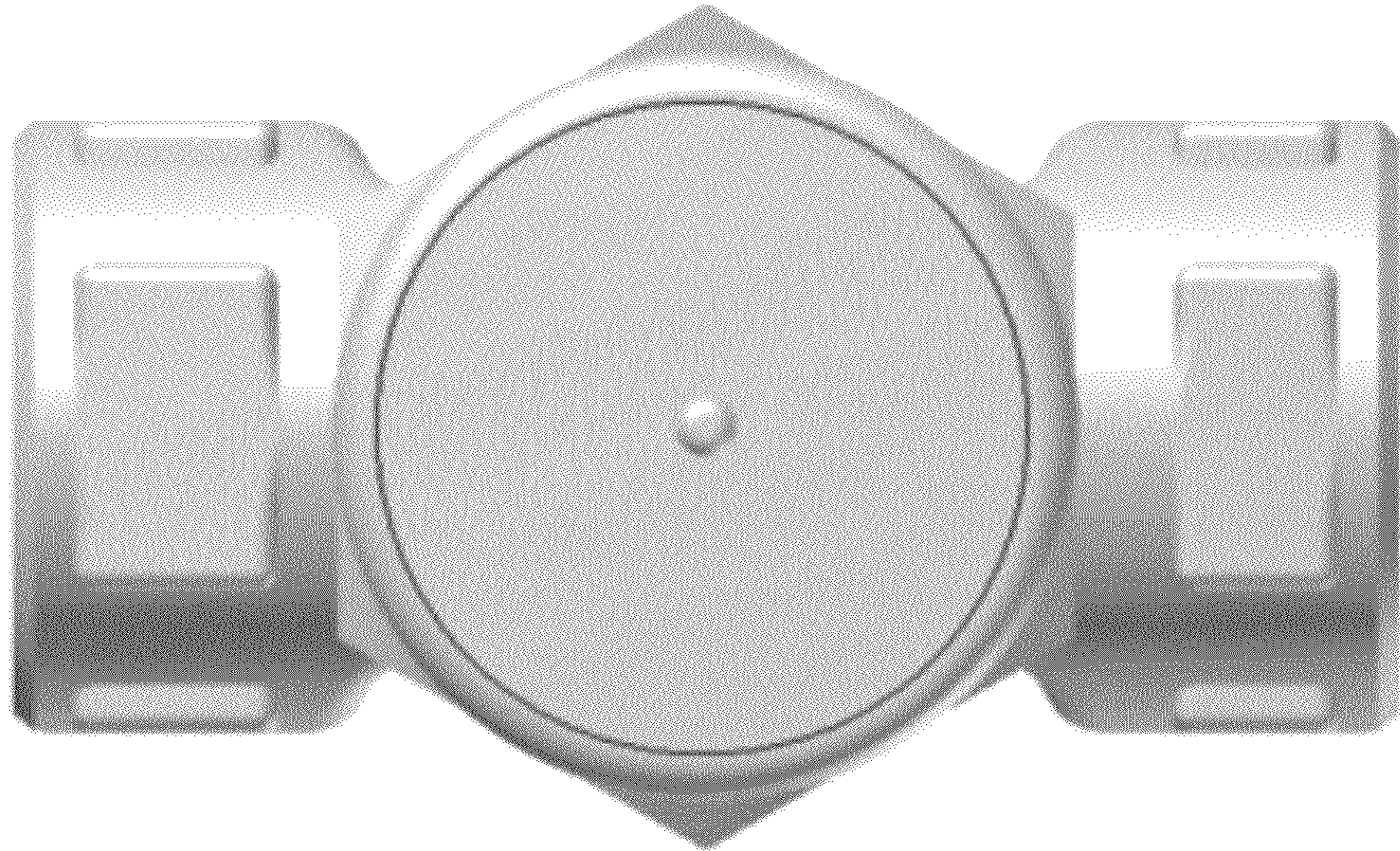


FIG. 6

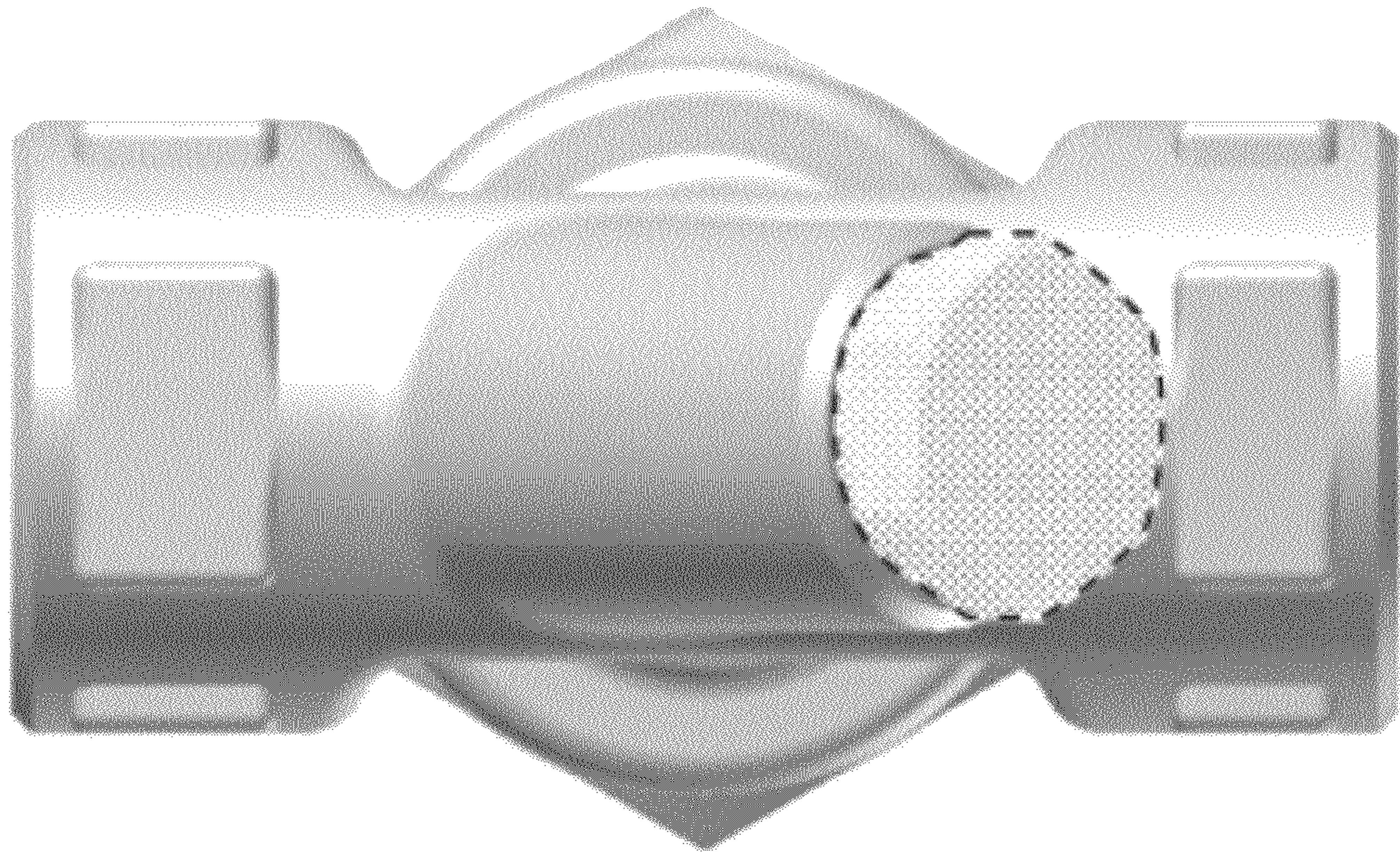


FIG. 7