



US00D674469S

(12) **United States Design Patent**
Boyer

(10) **Patent No.:** **US D674,469 S**

(45) **Date of Patent:** **** Jan. 15, 2013**

(54) **GAS PRESSURE REGULATOR**

(75) Inventor: **Robert A. Boyer**, Flower Mound, TX
(US)

(73) Assignee: **Victor Equipment Company**, Denton,
TX (US)

(**) Term: **14 Years**

(21) Appl. No.: **29/401,272**

(22) Filed: **Sep. 9, 2011**

Related U.S. Application Data

(63) Continuation of application No. 29/333,532, filed on
Mar. 11, 2009.

(51) **LOC (9) Cl.** **23-01**

(52) **U.S. Cl.** **D23/235**

(58) **Field of Classification Search** D23/233-237,
D23/244-249; D15/17, 28; D12/192, 218,
D12/415; D10/46, 85, 98, 102, 122-127;
137/505.42, 557, 382; 48/191; 73/431, 756;
180/90; 280/752; 296/191, 70

See application file for complete search history.

(56) **References Cited**

U.S. PATENT DOCUMENTS

2,946,223	A *	7/1960	Lauer, Jr.	73/431
D288,469	S *	2/1987	Pryor	D23/235
D311,572	S *	10/1990	Burns	D23/235
D318,318	S *	7/1991	Datta et al.	D23/235

* cited by examiner

Primary Examiner — Robin V. Webster

Assistant Examiner — Maurice Stevens

(74) *Attorney, Agent, or Firm* — Brinks Hofer Gilson &
Lione

(57) **CLAIM**

The ornamental design for a gas pressure regulator, as shown
and described.

DESCRIPTION

FIG. 1 is a front view of the gas pressure regulator;

FIG. 2 is a perspective view thereof;

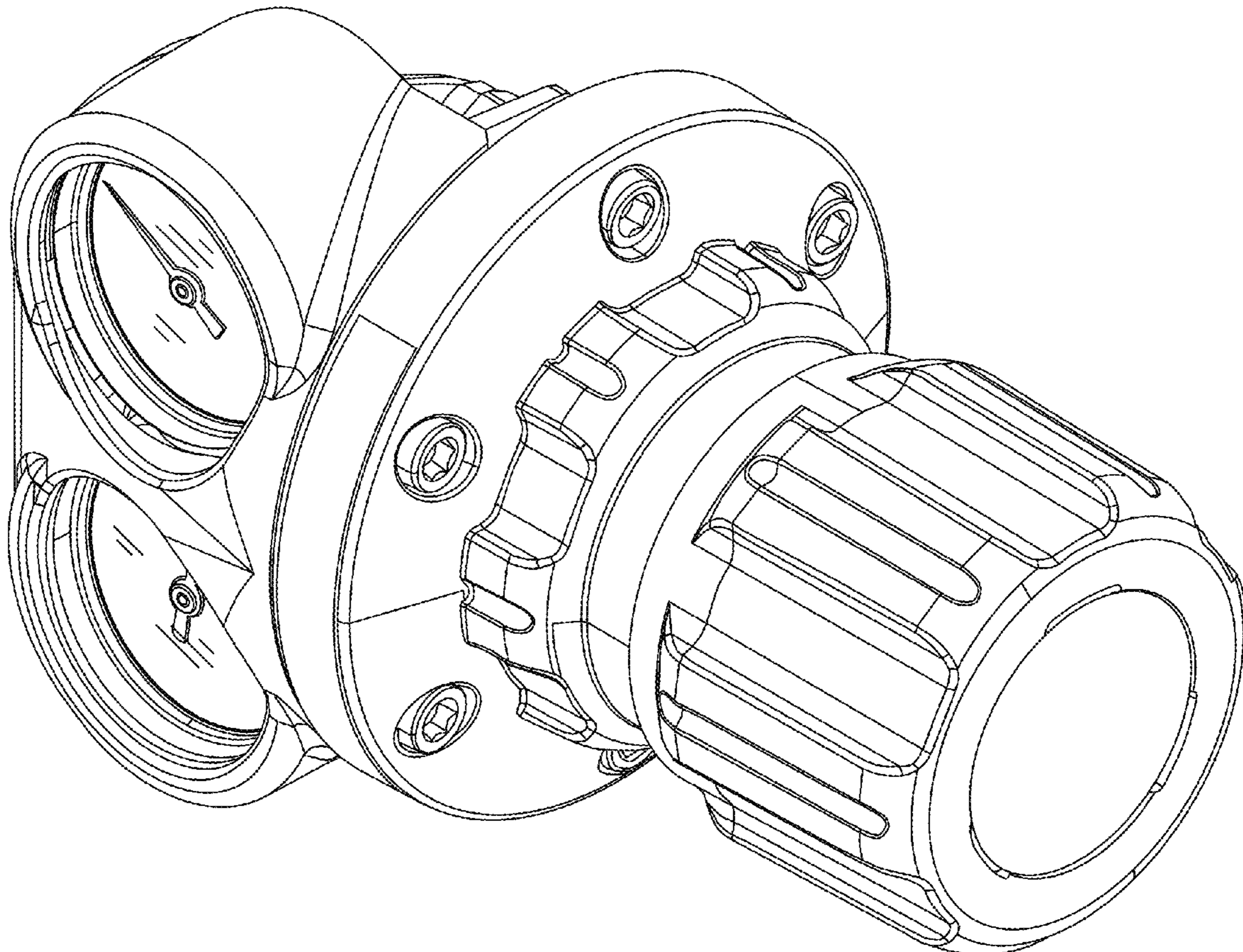
FIG. 3 is another perspective view thereof;

FIG. 4 is another perspective view thereof;

FIG. 5 is a rear view thereof; and,

FIG. 6 is a bottom view thereof.

1 Claim, 6 Drawing Sheets



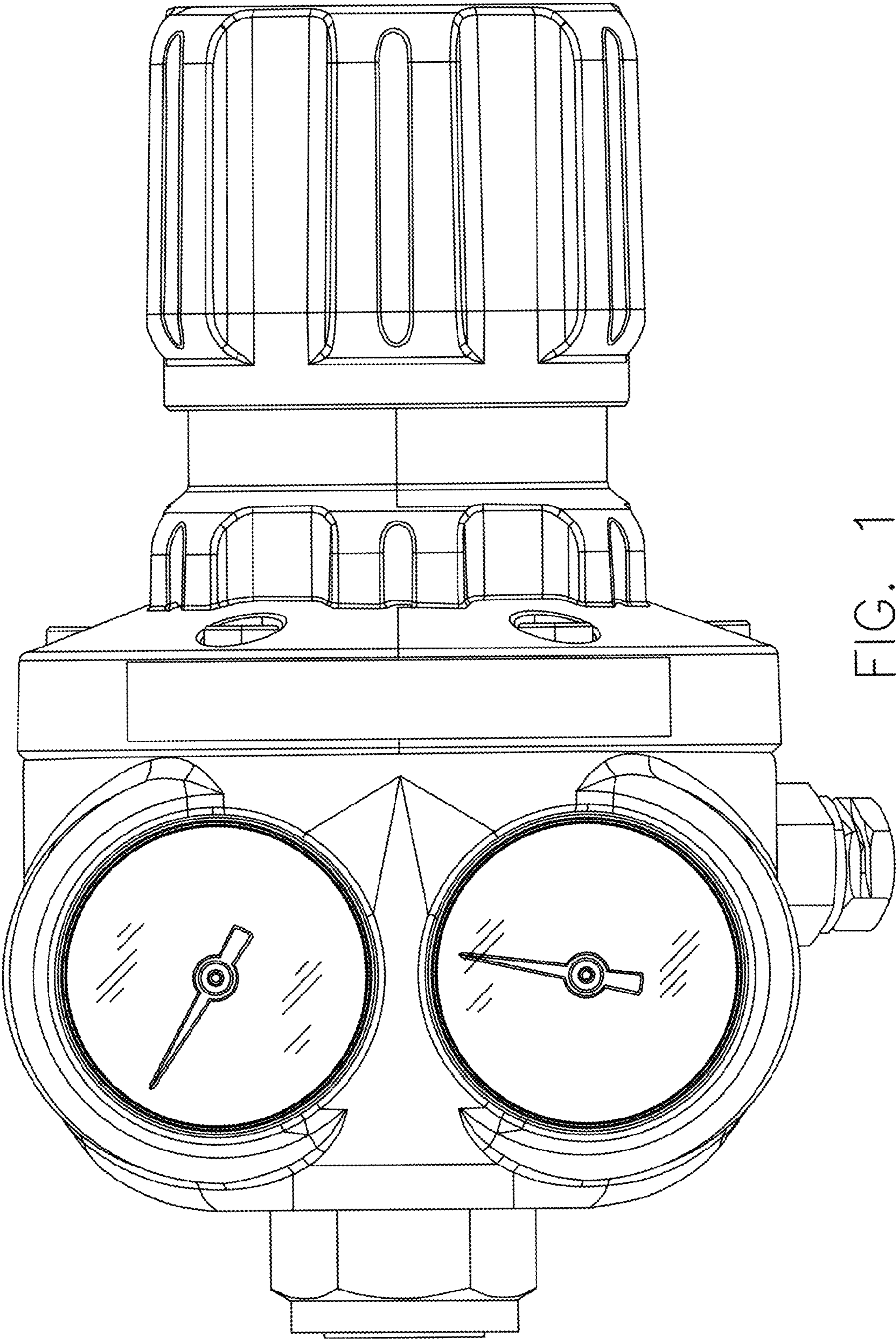


FIG. 1

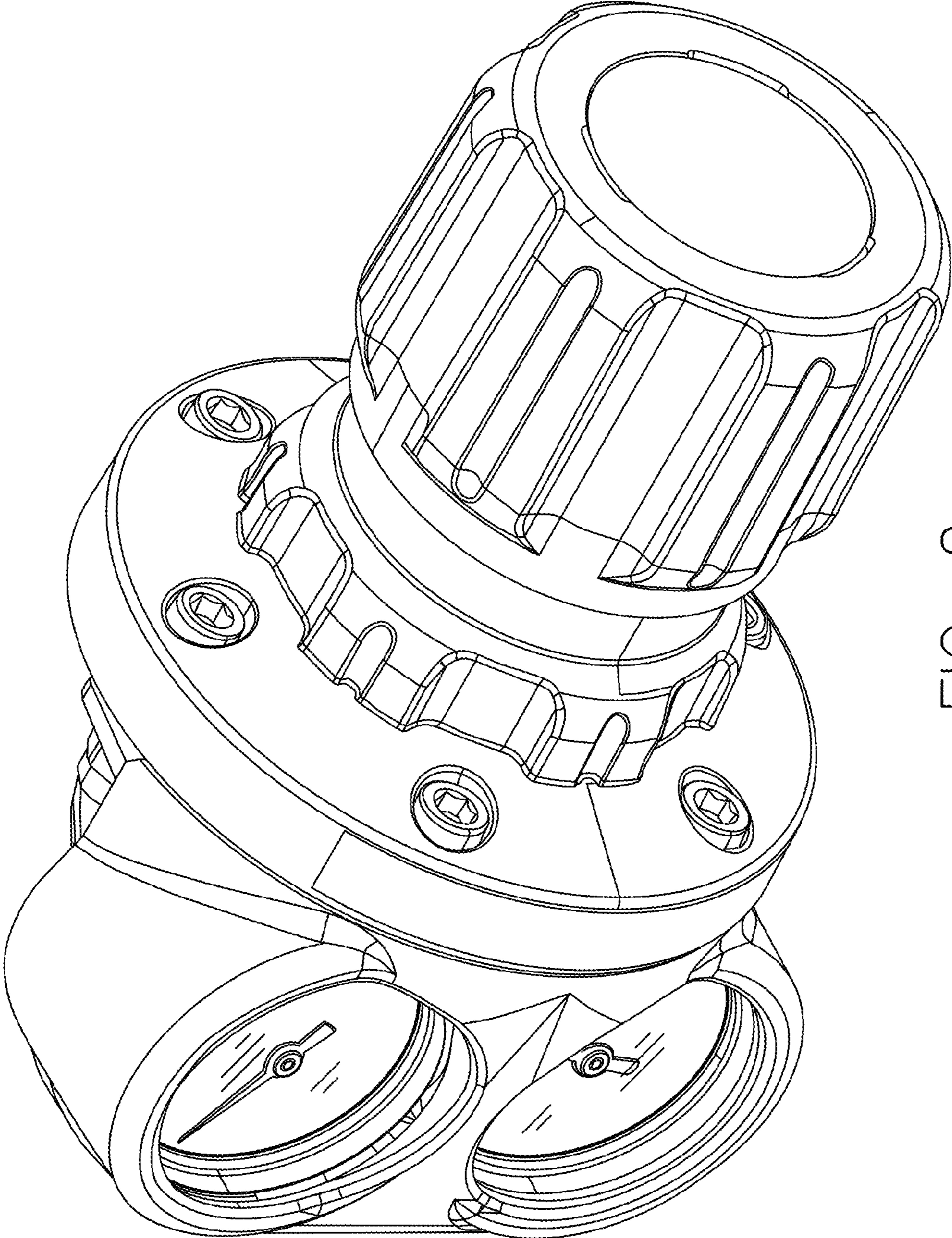


FIG. 2

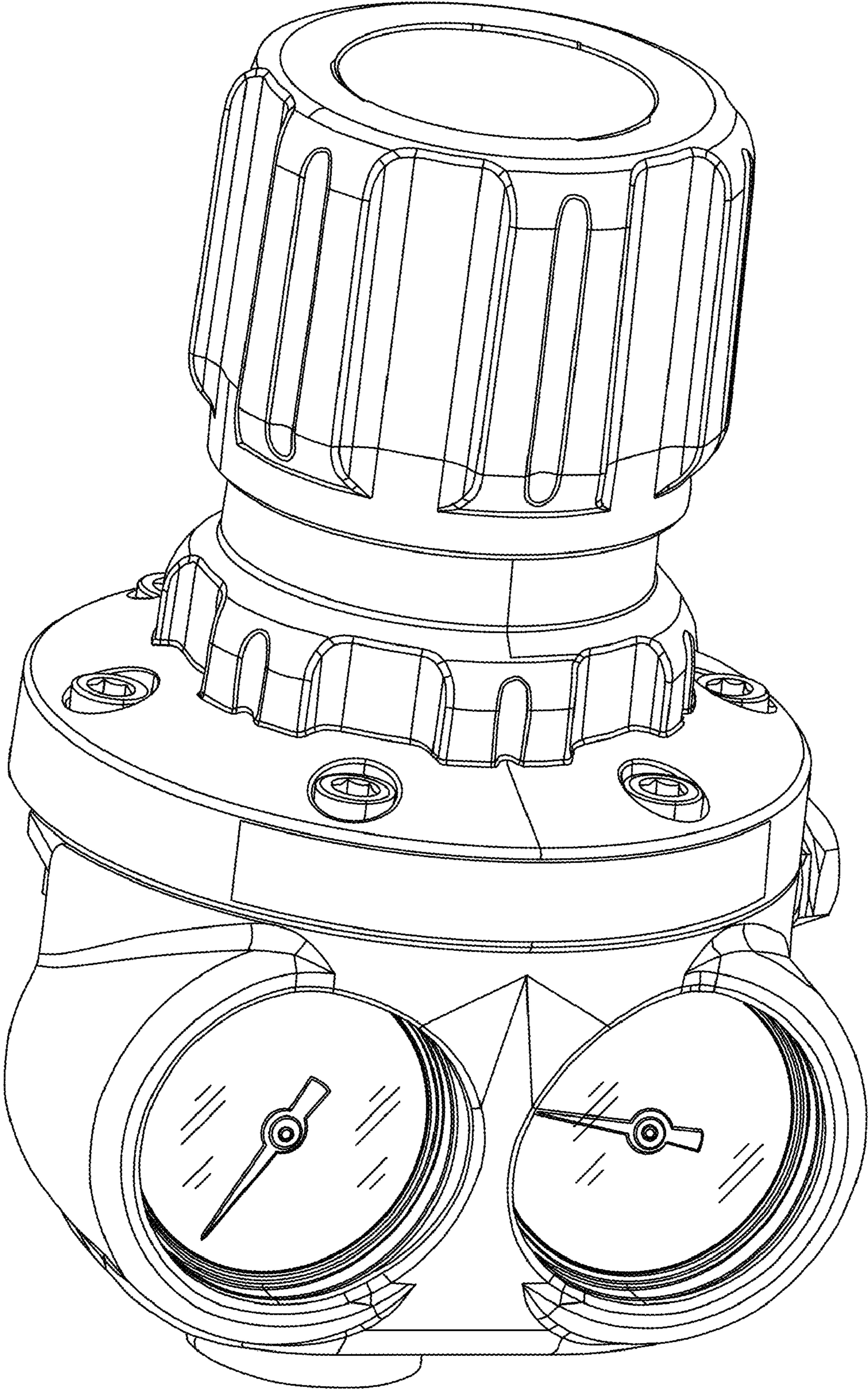


FIG. 3

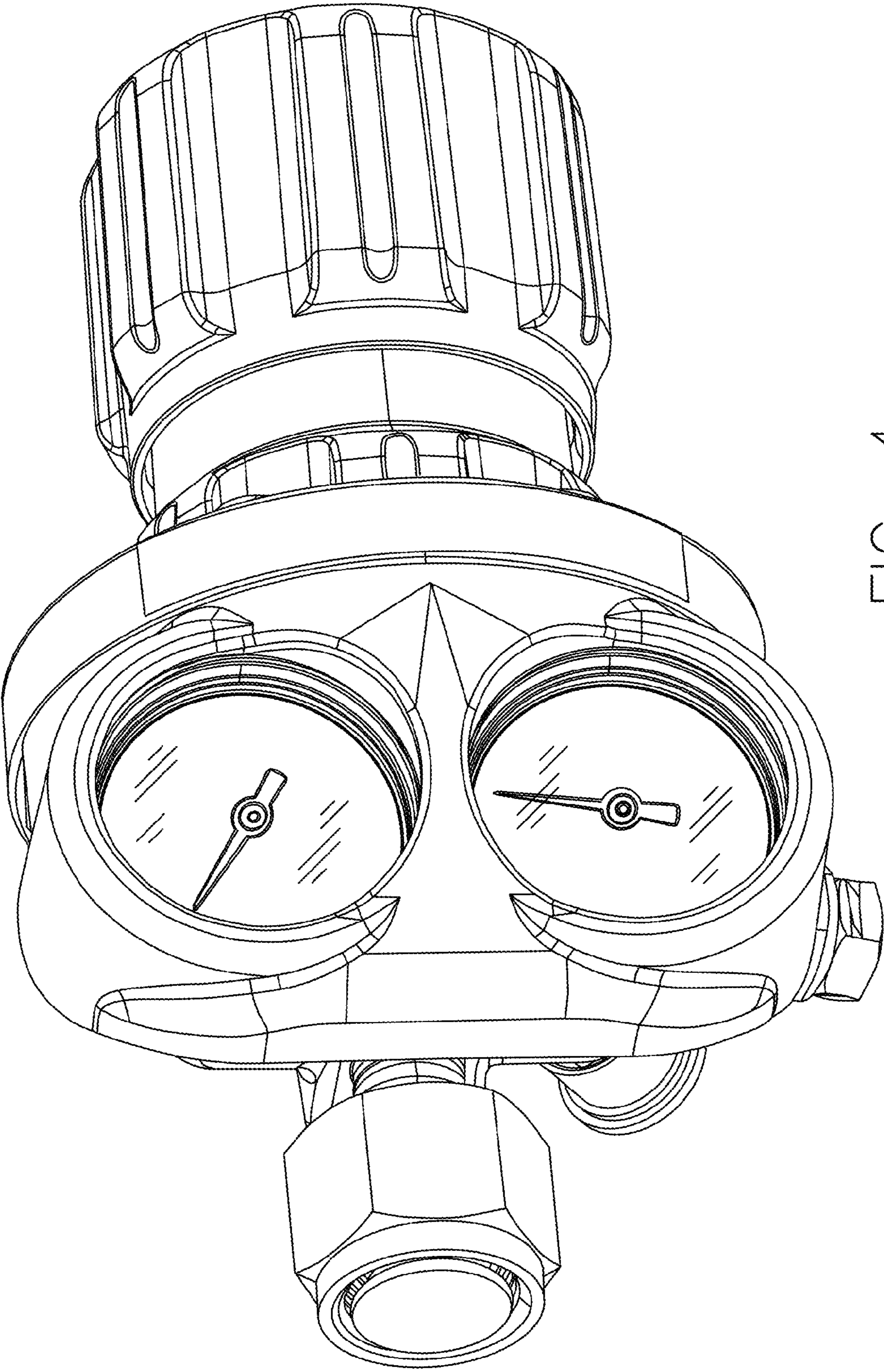


FIG. 4

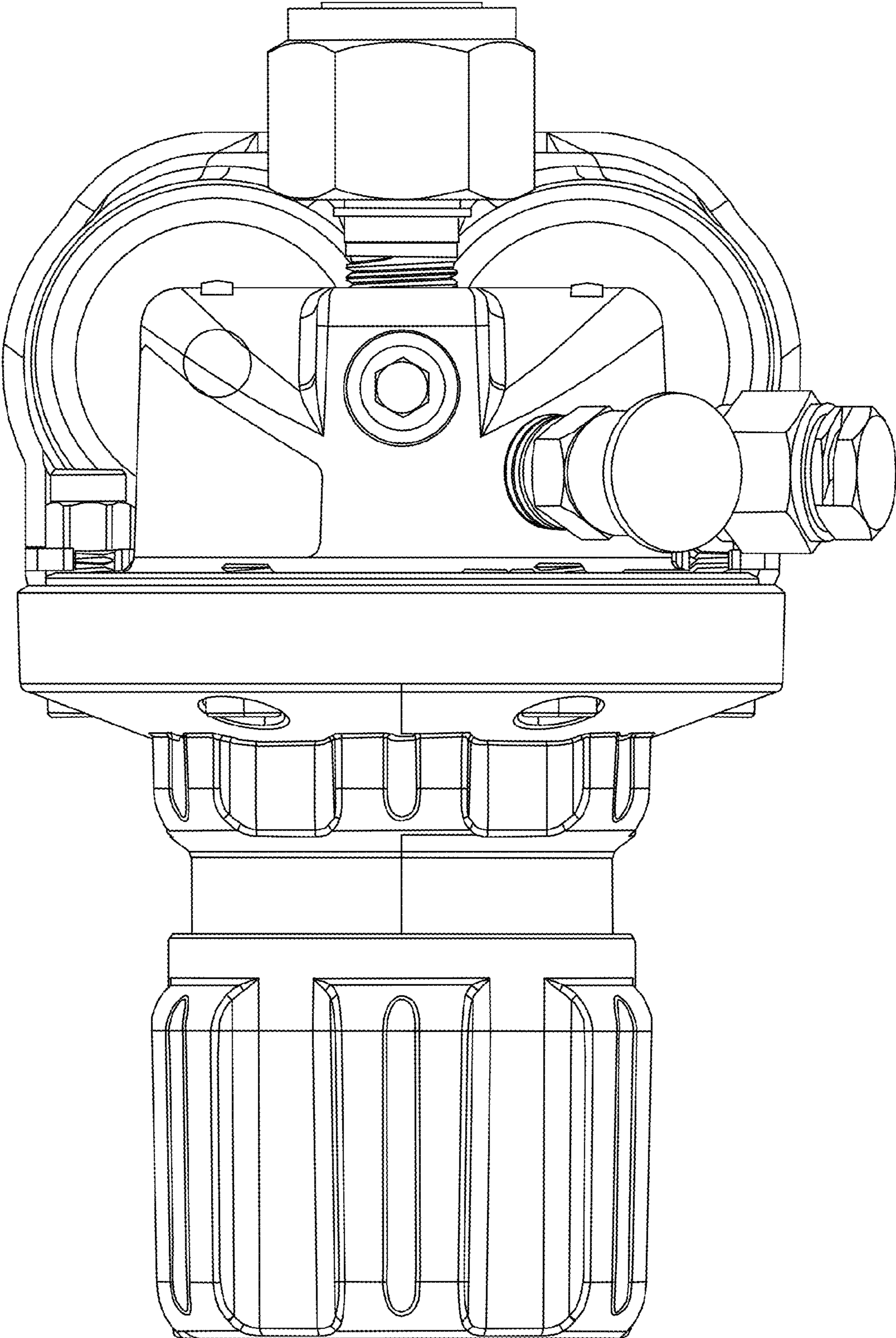


FIG. 5

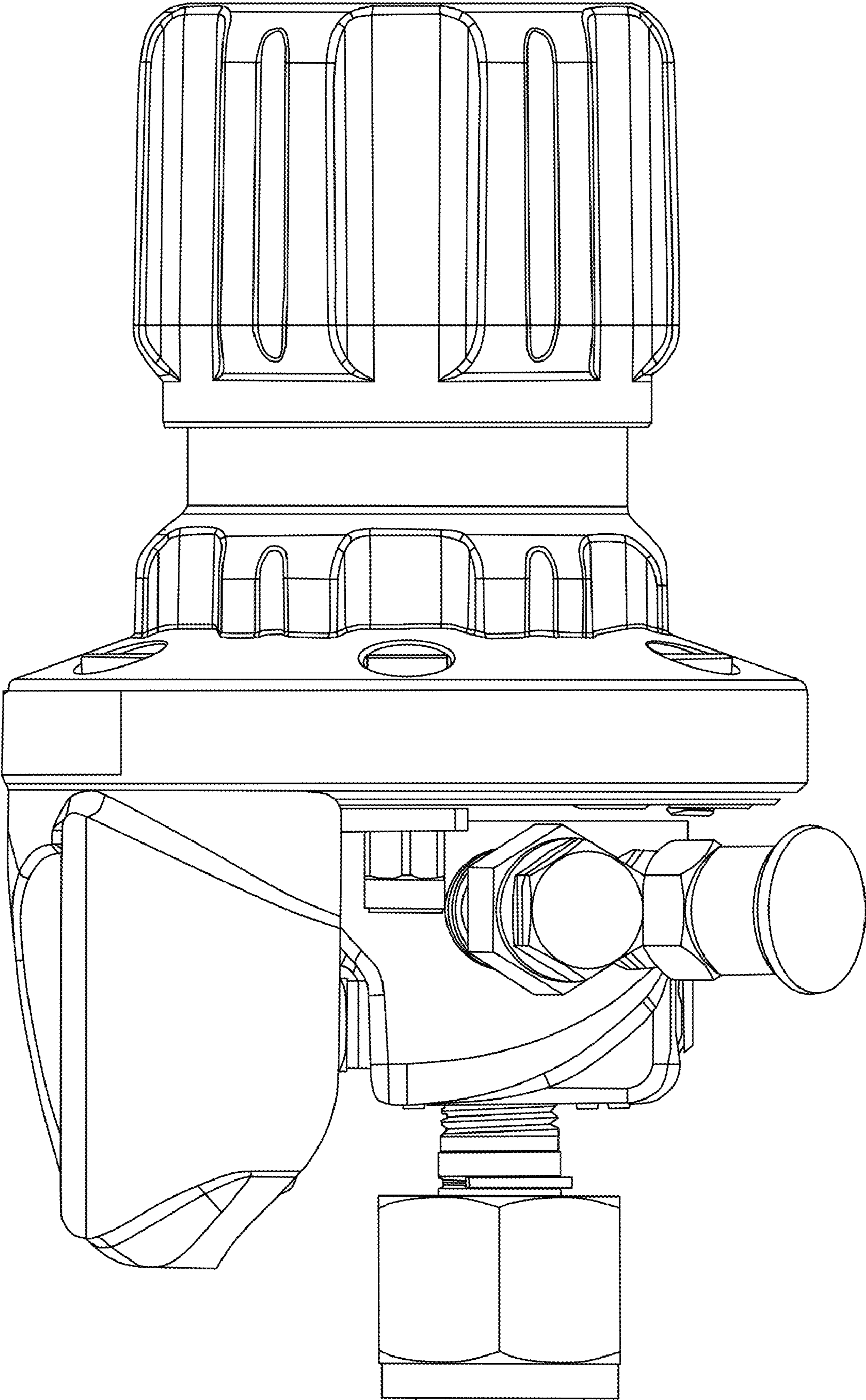


FIG. 6