



US00D674466S

(12) **United States Design Patent**
Flowers et al.

(10) **Patent No.:** **US D674,466 S**
(45) **Date of Patent:** **** Jan. 15, 2013**

(54) **SHOWERHEAD**

D628,676 S * 12/2010 Lee D23/213
D630,706 S * 1/2011 Giggs et al. D23/213

(75) Inventors: **Paul Flowers**, Duesseldorf (DE);
Patrick de Arins Speck, Curitiba (BR)

* cited by examiner

(73) Assignee: **Grohe AG**, Hemer (DE)

Primary Examiner — Robin V Webster

(**) Term: **14 Years**

(74) *Attorney, Agent, or Firm* — Muncy, Geissler, Olds & Lowe, PLLC

(21) Appl. No.: **29/415,678**

(57) **CLAIM**

The ornamental design for a showerhead, as shown and described.

(22) Filed: **Mar. 13, 2012**

DESCRIPTION

(30) **Foreign Application Priority Data**

Sep. 16, 2011 (EM) 001918541-0002

FIG. 1 is a left side elevational view of a showerhead according to the invention.

(51) **LOC (9) Cl.** **23-01**

FIG. 2 is a right side elevational view of the showerhead of FIG. 1.

(52) **U.S. Cl.** **D23/229**

FIG. 3 is a front elevational view of the showerhead of FIG. 1.

(58) **Field of Classification Search** D23/213,
D23/223, 229, 230; 239/282, 283; 4/615
See application file for complete search history.

FIG. 4 is a rear elevational view of the showerhead of FIG. 1.

FIG. 5 is a top plan view of the showerhead of FIG. 1.

FIG. 6 is a bottom plan view of the showerhead of FIG. 1; and,

FIG. 7 is a perspective view of the showerhead of FIG. 1.

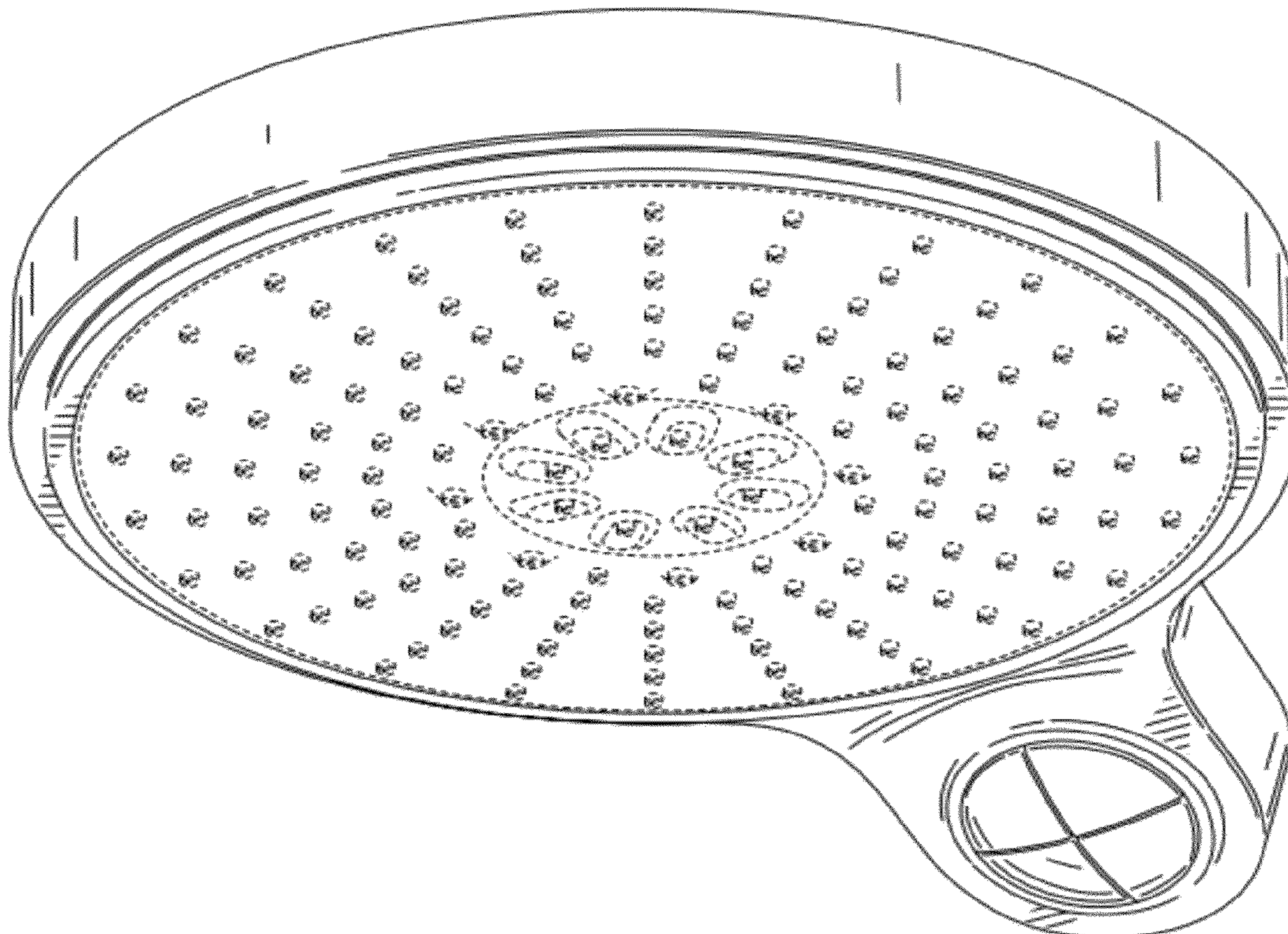
The dashed lines illustrate environment that does not form a part of the present invention, and no claim is made to the material illustrated with dashed lines.

(56) **References Cited**

U.S. PATENT DOCUMENTS

D581,013 S * 11/2008 Citterio D23/213
D616,061 S * 5/2010 Whitaker et al. D23/213

1 Claim, 7 Drawing Sheets



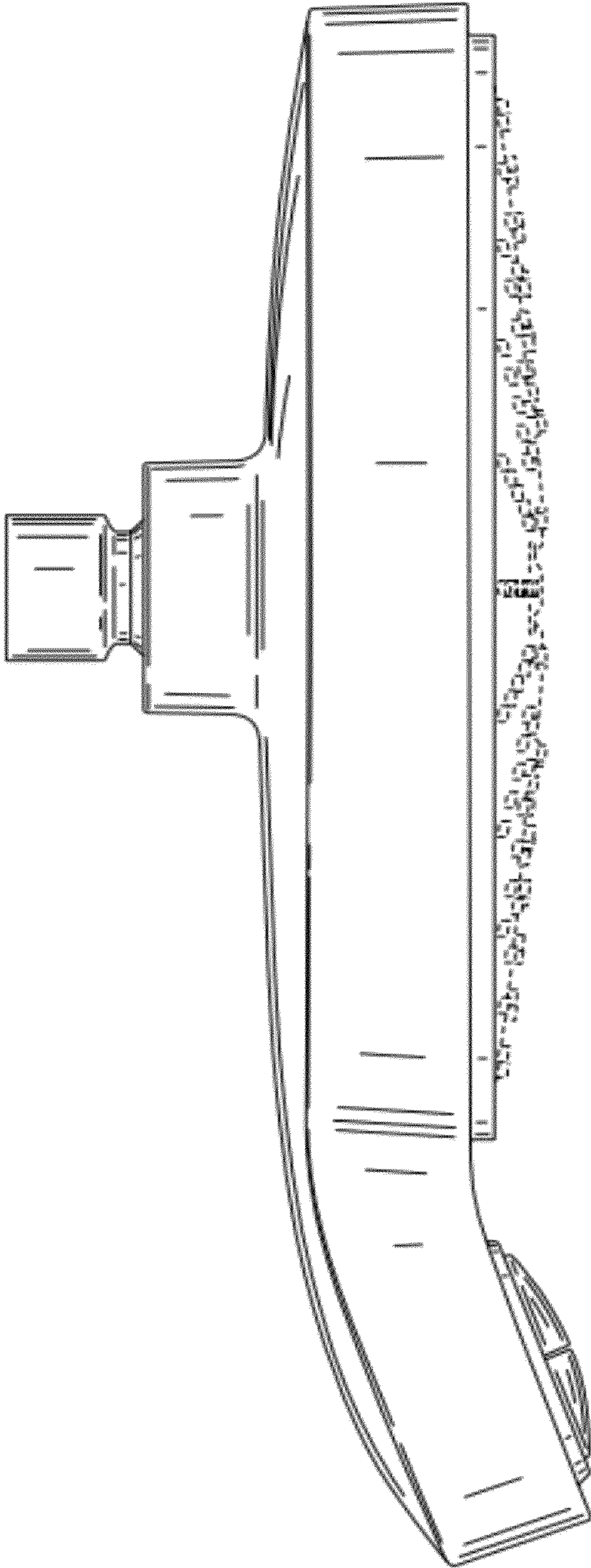


FIG. 1

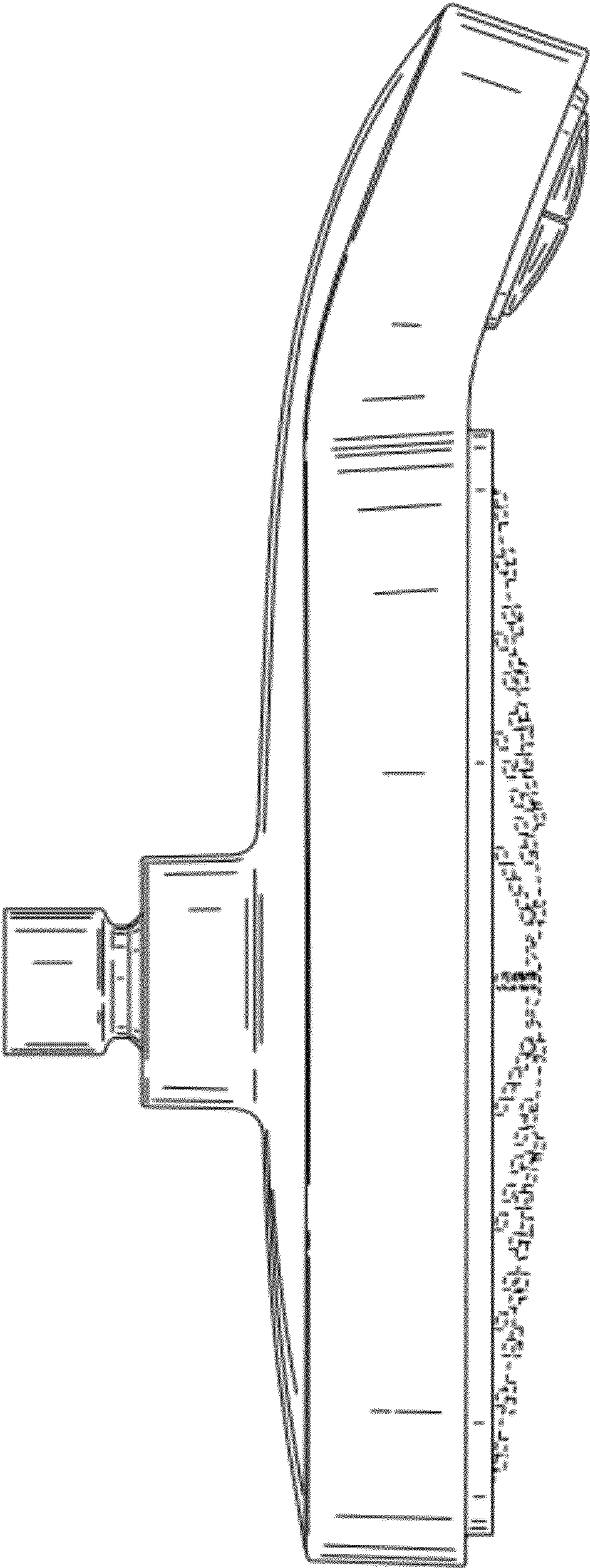


FIG. 2

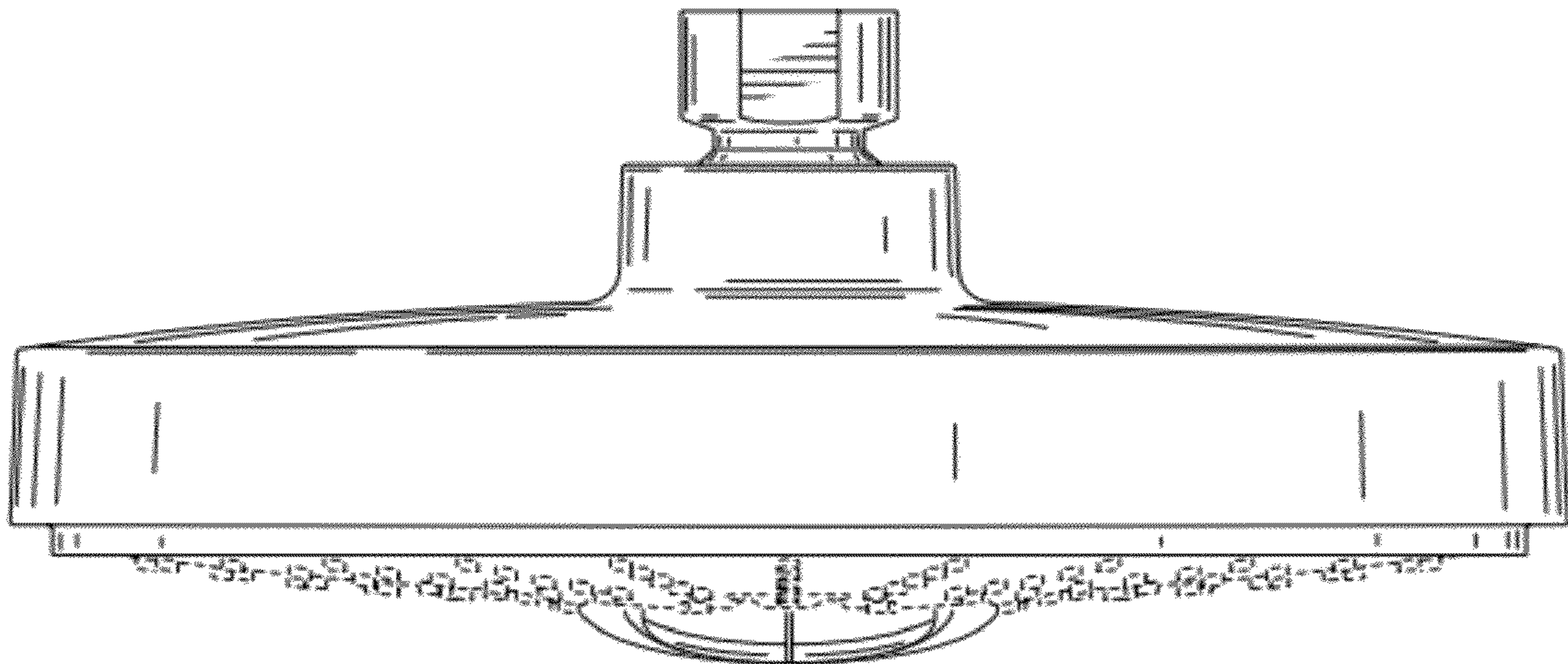


FIG. 3

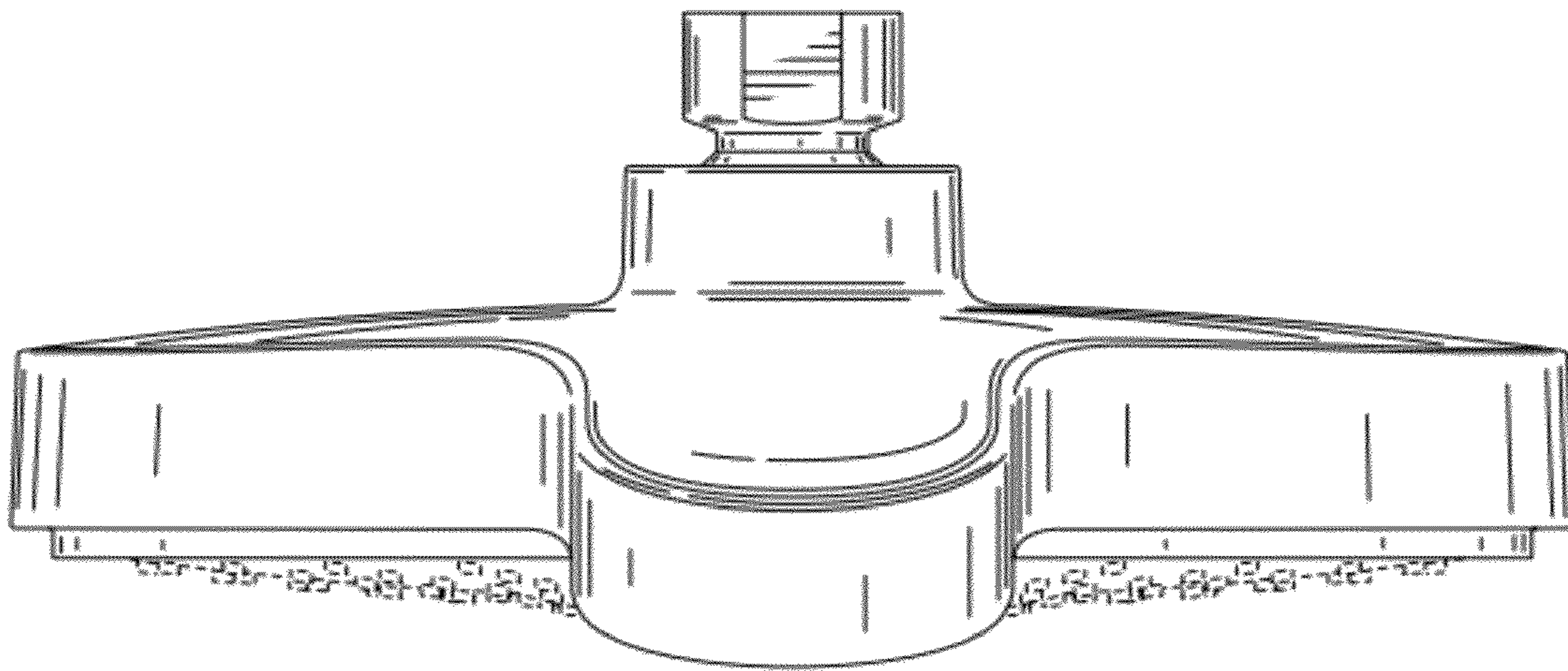


FIG. 4

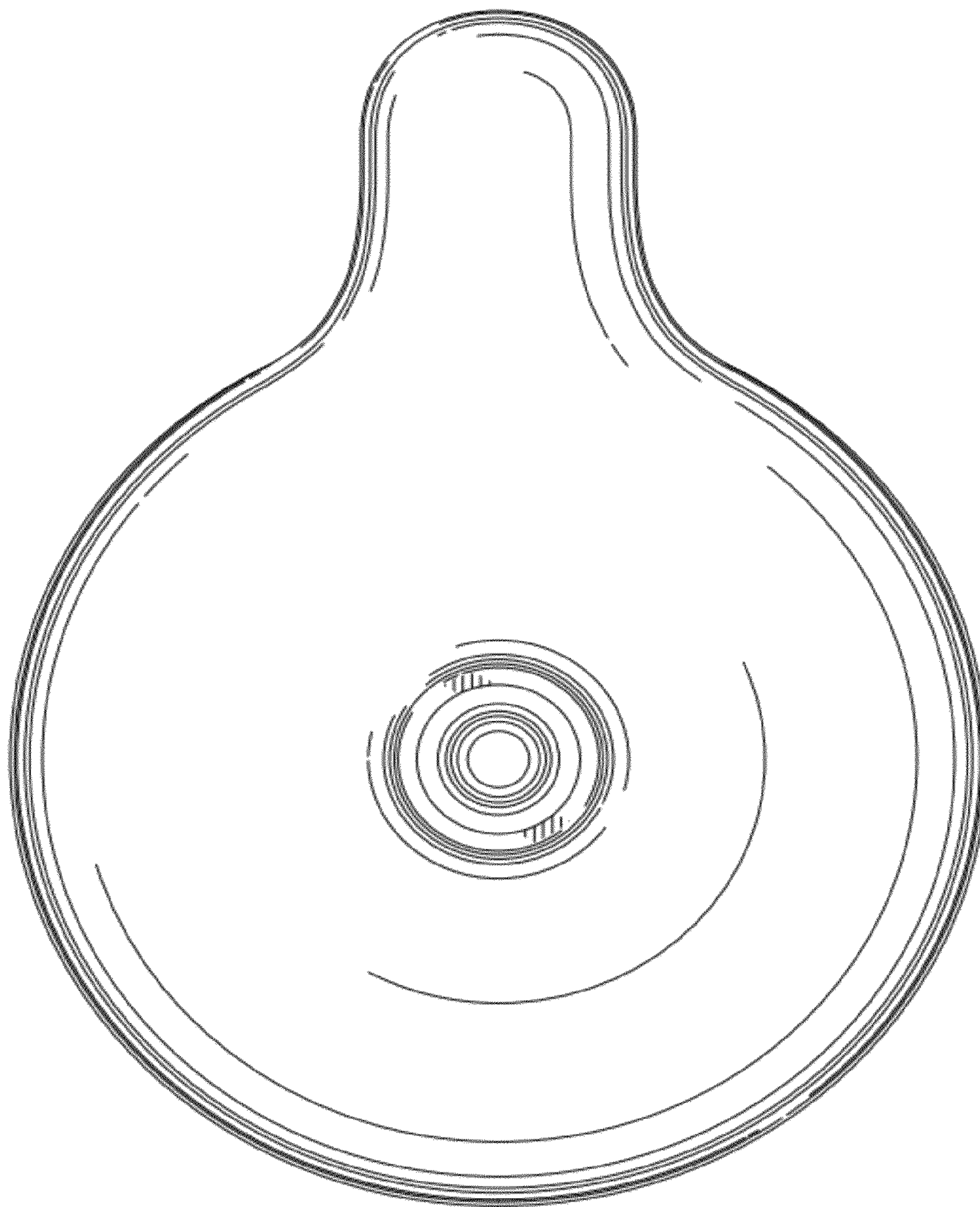


FIG. 5

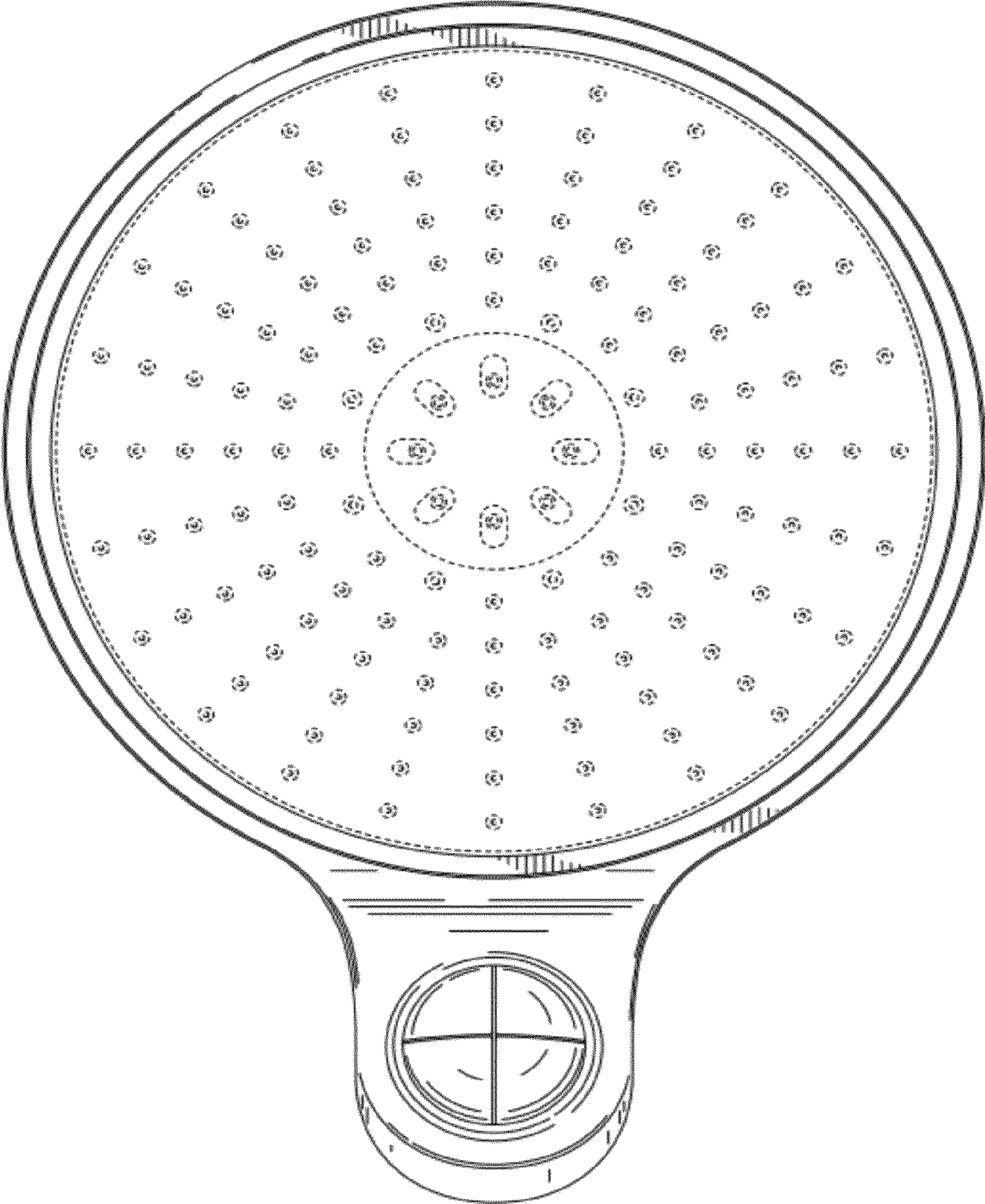


FIG. 6

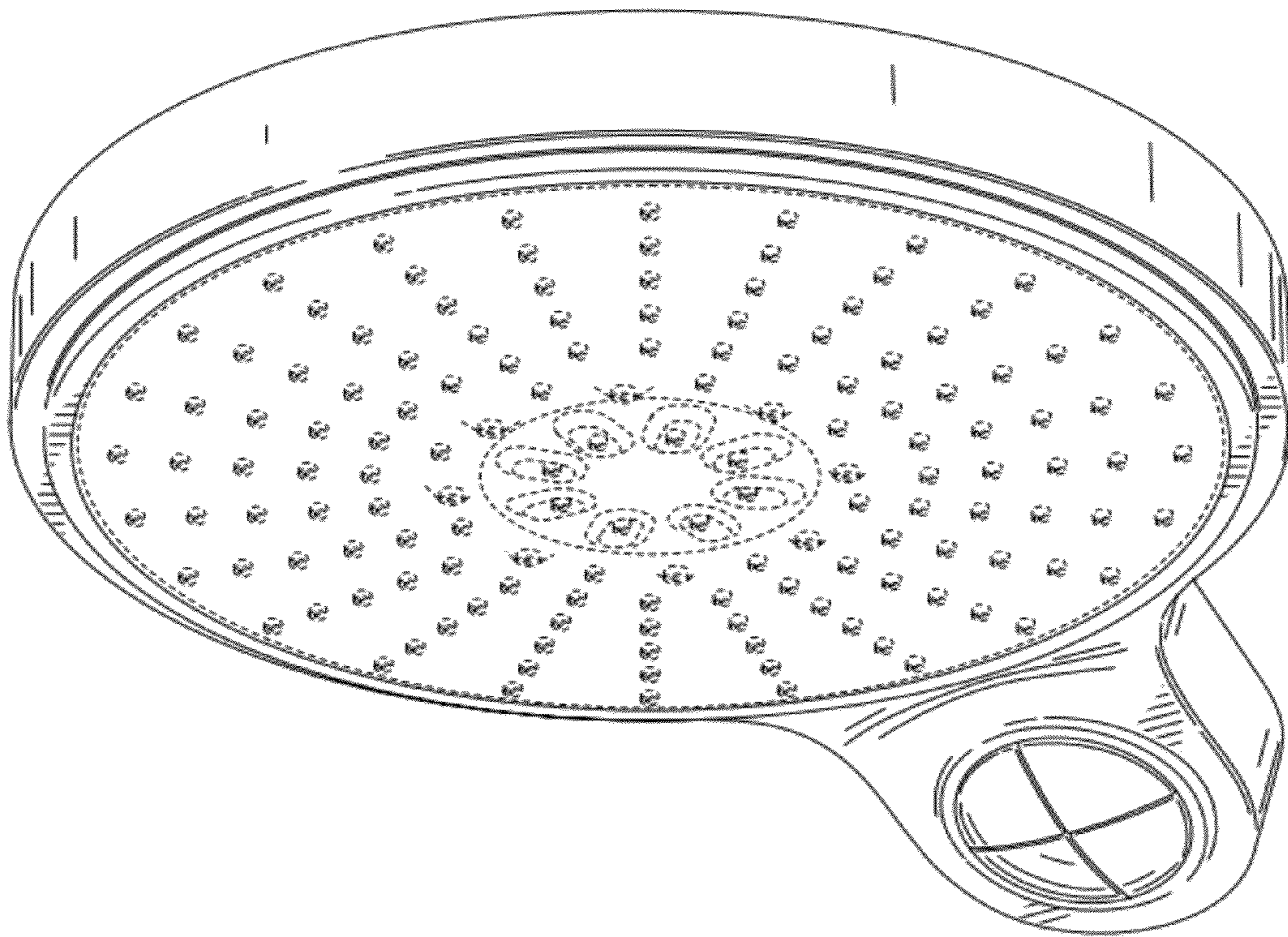


FIG. 7