



US00D674464S

(12) **United States Design Patent**
Wilder et al.

(10) **Patent No.:** **US D674,464 S**
(45) **Date of Patent:** **** Jan. 15, 2013**

(54) **FILTER FOR A LIQUID DISPENSER**

(75) Inventors: **Haim Wilder**, Raanana (IL); **Eyal Krystal**, Kfar Saba (IL); **Omri Bar-On**, Jerusalem (IL); **Shlomi Hillel**, Petach Tikva (IL)

(73) Assignee: **Strauss Water Ltd.**, Petach Tikva (IL)

(**) Term: **14 Years**

(21) Appl. No.: **29/422,986**

(22) Filed: **May 25, 2012**

Related U.S. Application Data

(62) Division of application No. 29/389,614, filed on Apr. 14, 2011.

(51) **LOC (9) Cl.** **23-01**

(52) **U.S. Cl.** **D23/209; D7/400**

(58) **Field of Classification Search** D7/306-311,
D7/300, 397, 399, 406, 400; D15/80; 222/146.6;
D23/209, 207; 99/295, 305; D6/545, 542,
D6/467

See application file for complete search history.

(56) **References Cited**

U.S. PATENT DOCUMENTS

4,454,037 A * 6/1984 Conterio et al. 210/120
D406,874 S * 3/1999 Farley D23/209
D466,969 S * 12/2002 Druga D23/209

D472,604 S * 4/2003 Fritze D23/209
7,232,522 B1 * 6/2007 Lasley et al. 210/232
D546,412 S * 7/2007 Kennedy et al. D23/209
D570,951 S * 6/2008 Morita et al. D23/209
D629,865 S * 12/2010 Riedel D23/209
D637,692 S * 5/2011 Riedel D23/209
D650,886 S * 12/2011 Bridges et al. D23/207
8,123,937 B2 * 2/2012 Hacker 210/232
8,216,463 B1 * 7/2012 Baird 210/232

* cited by examiner

Primary Examiner — Marianne Pandozzi

(74) *Attorney, Agent, or Firm* — Nath, Goldberg & Meyer;
Jerald L. Meyer

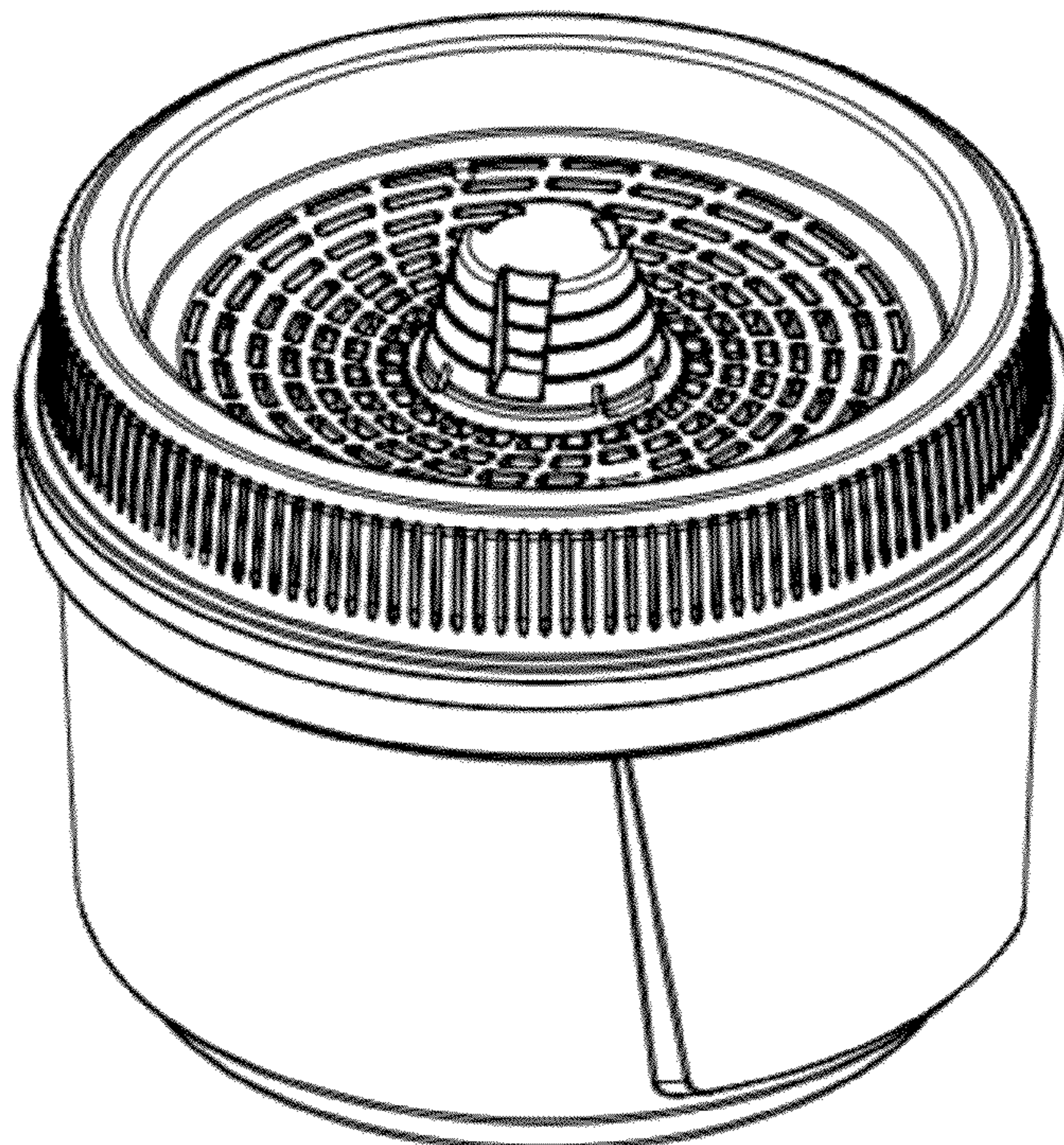
(57) **CLAIM**

The ornamental design for a filter for a liquid dispenser, as shown and described.

DESCRIPTION

FIG. 1 is a top perspective view of a filter for a liquid dispenser showing our new design in extended position; FIG. 2 is another top perspective view thereof; FIG. 3 is a bottom view thereof; FIG. 4 is a top plan view thereof; FIG. 5 is a side elevational view thereof; FIG. 6 is another side elevational view thereof; FIG. 7 is another side elevational view thereof; FIG. 8 is another side elevational view thereof; FIG. 9 is a bottom perspective view thereof; and, FIG. 10 is another bottom perspective view thereof.

1 Claim, 10 Drawing Sheets



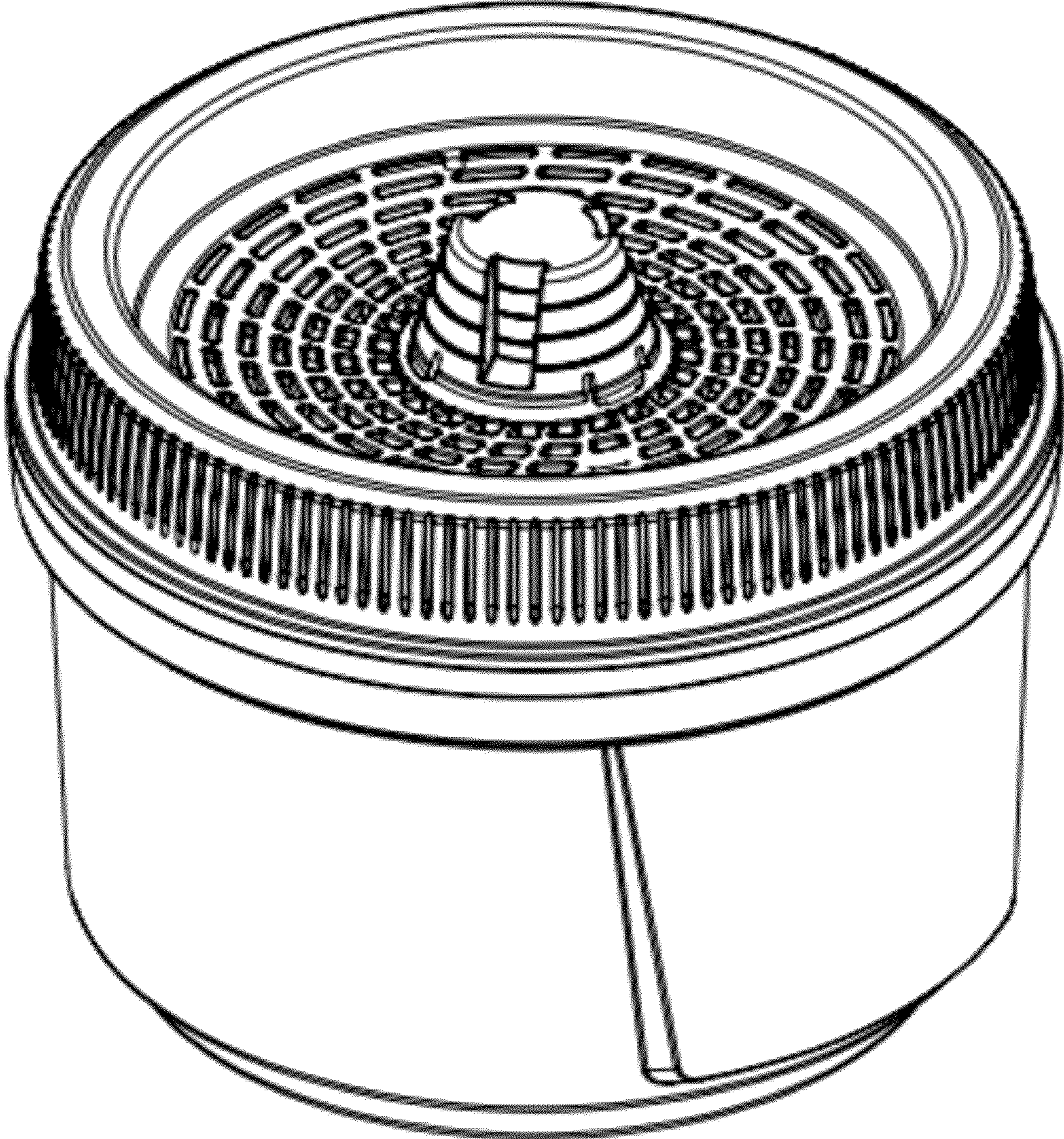


FIG. 1

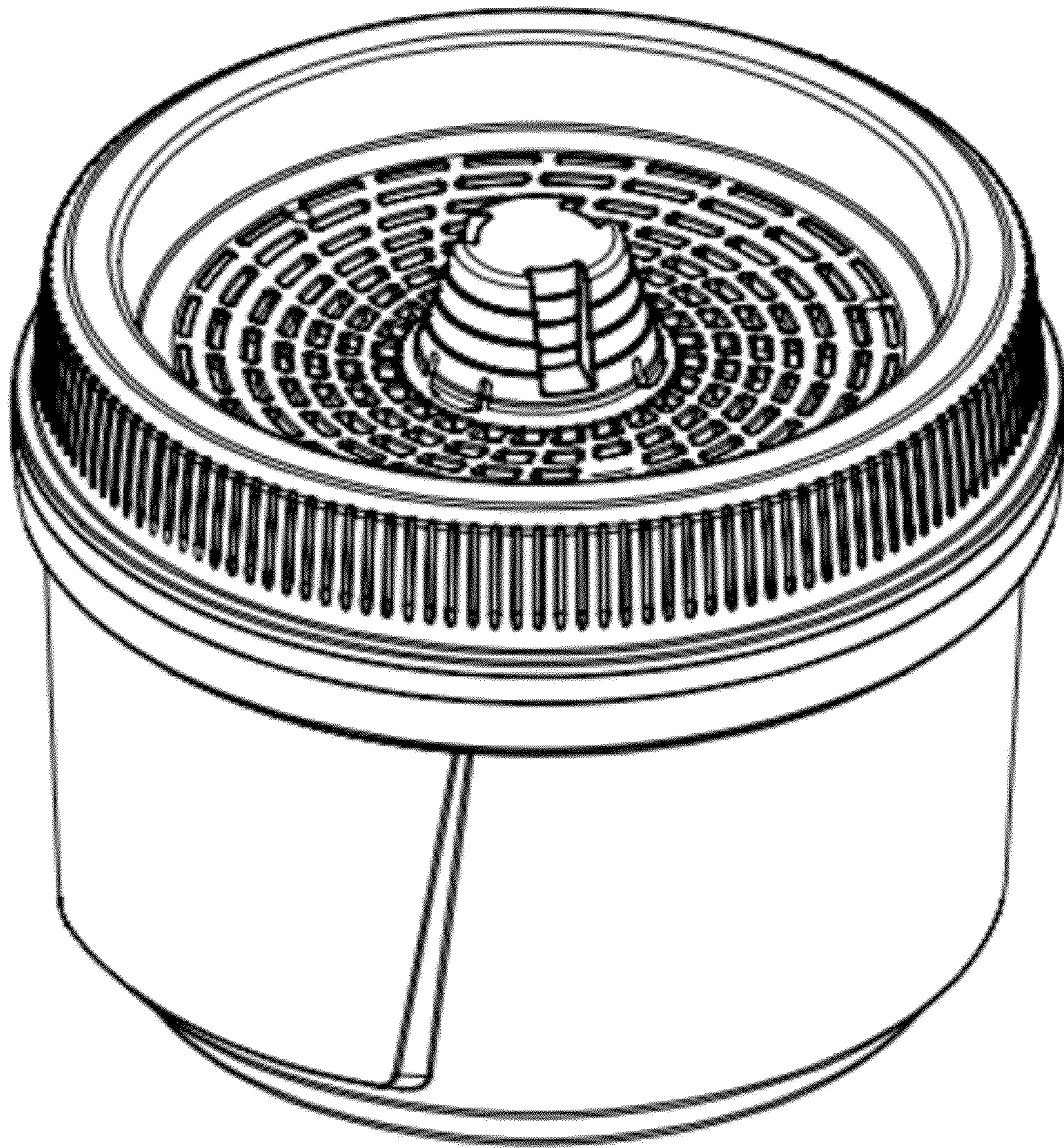


FIG. 2

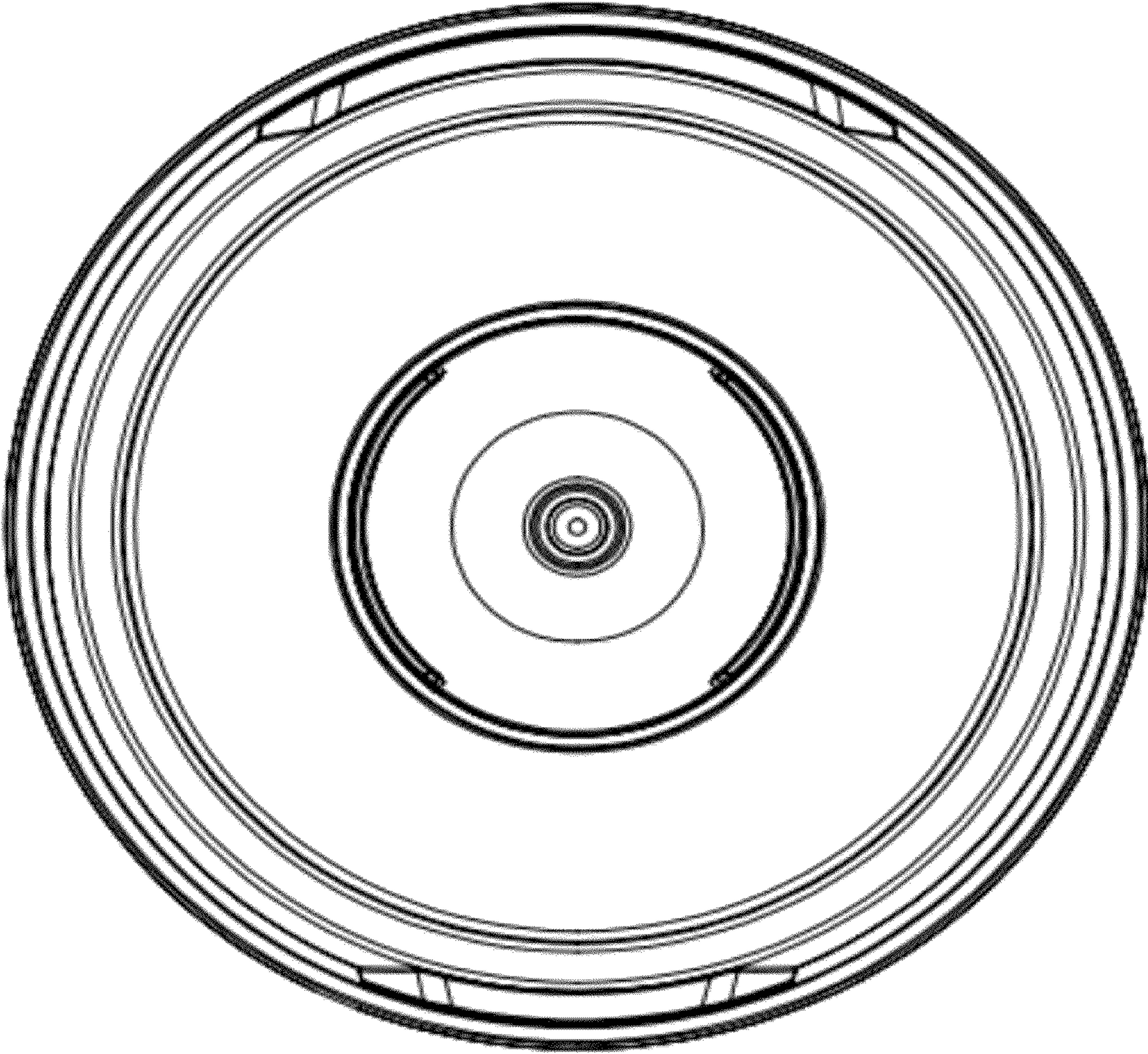


FIG. 3

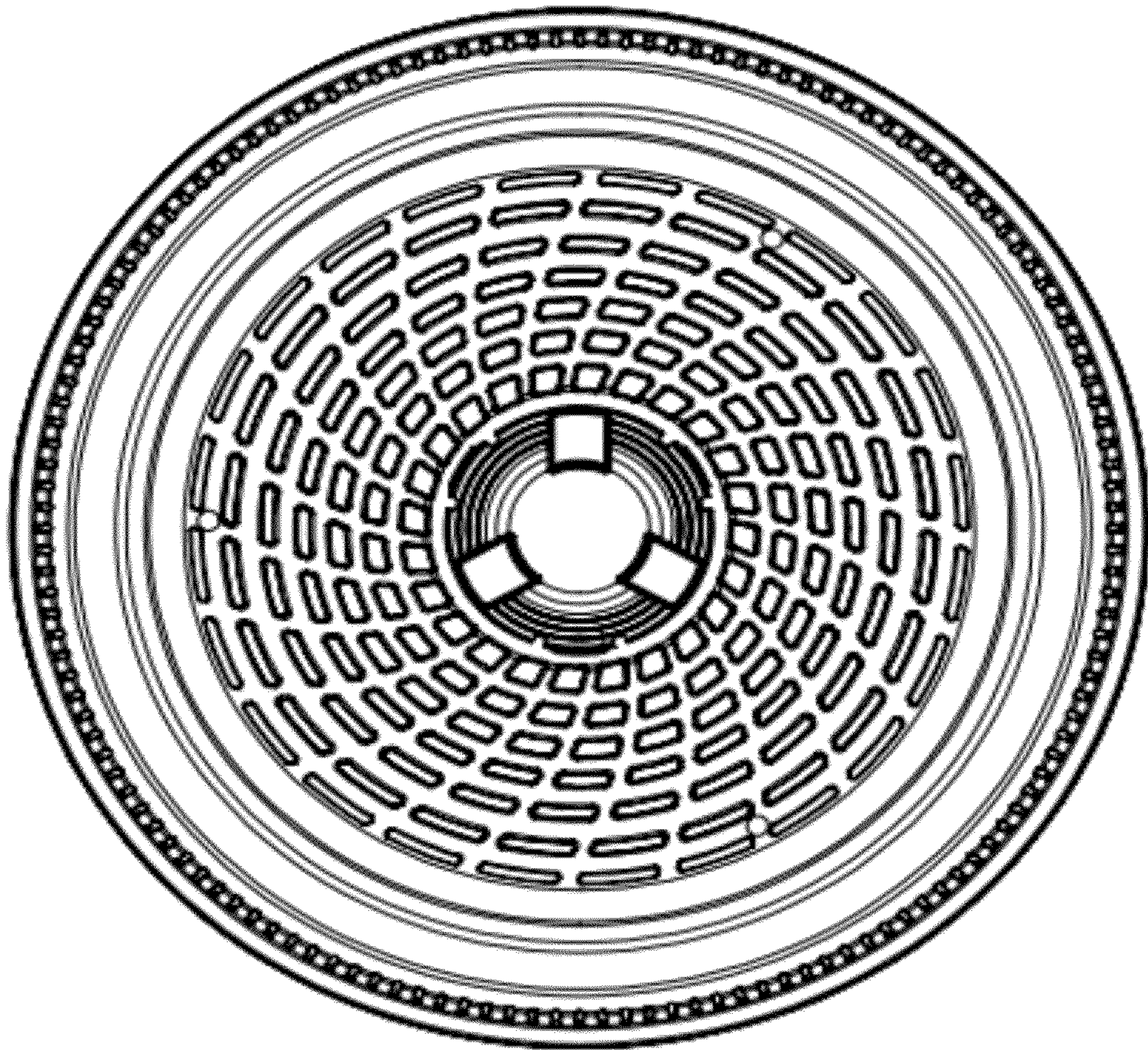


FIG. 4

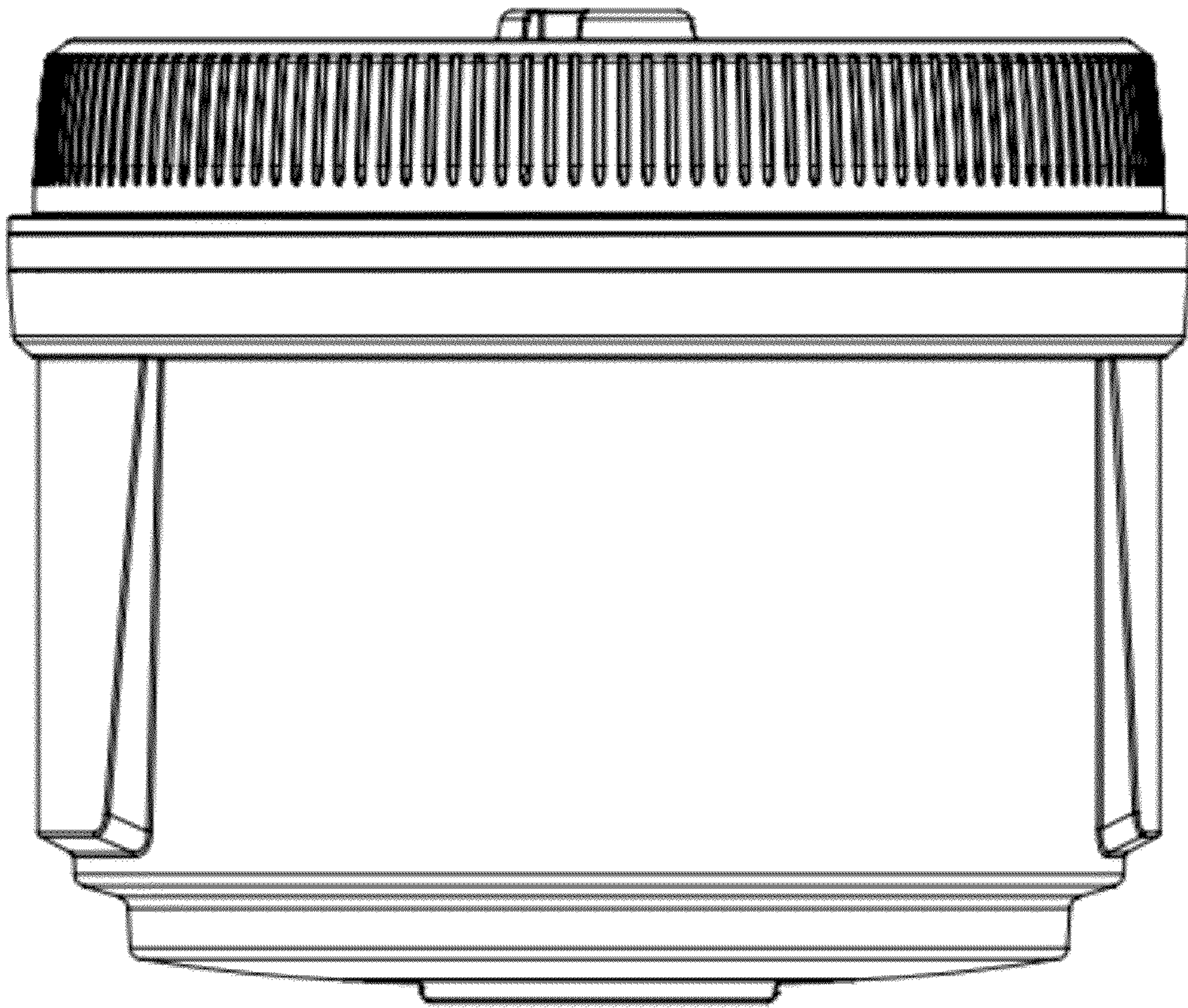


FIG. 5

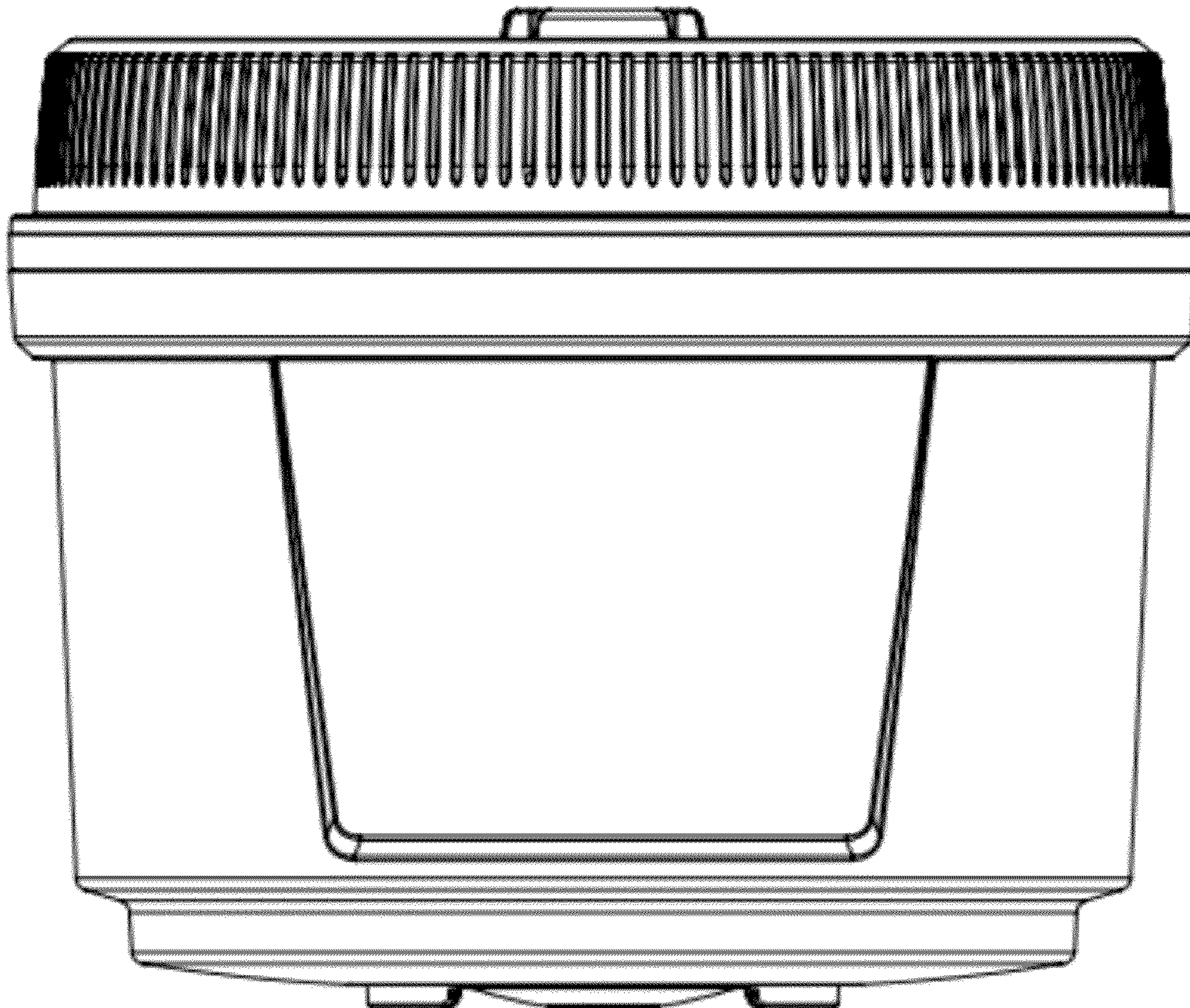


FIG. 6

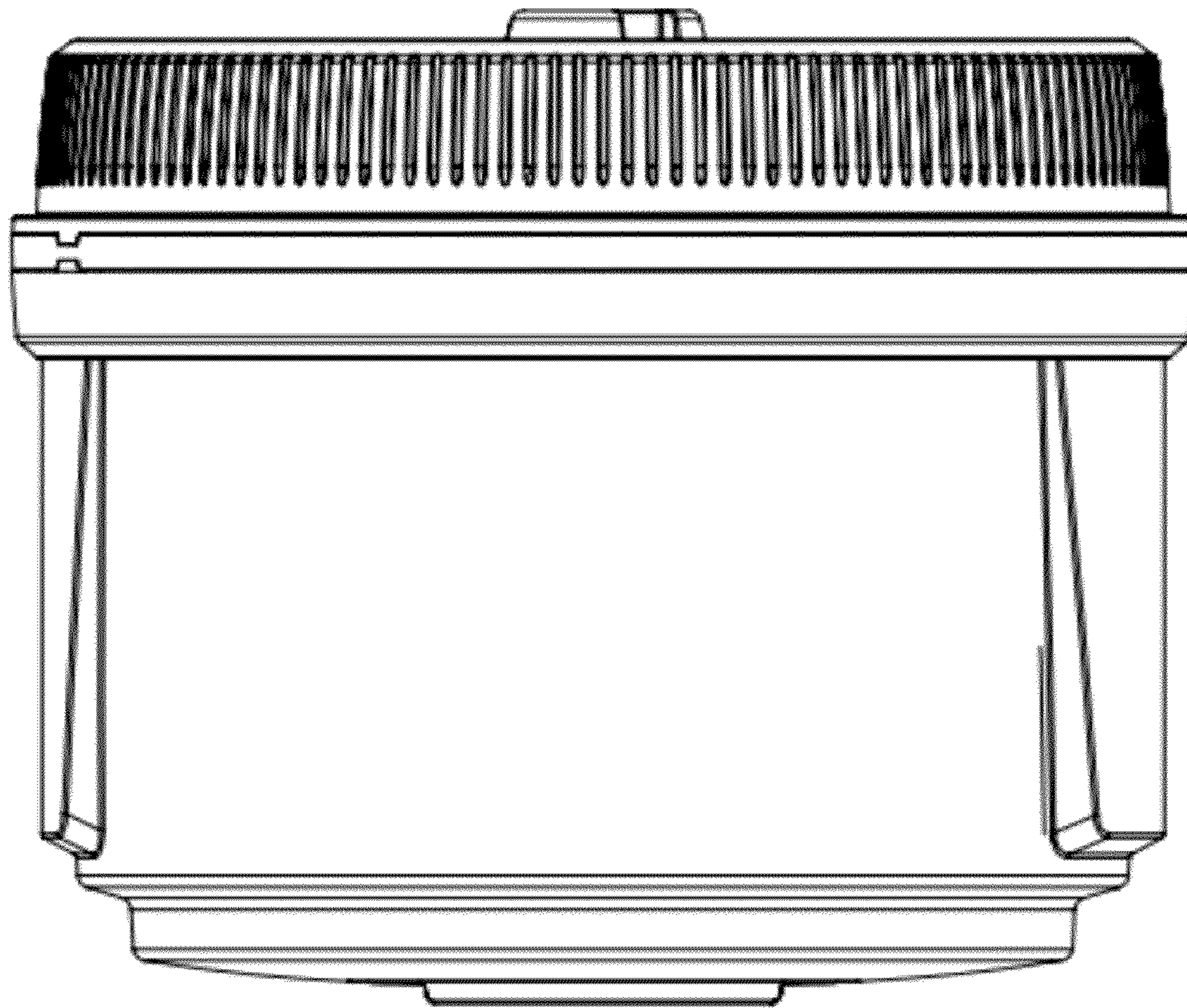


FIG. 7

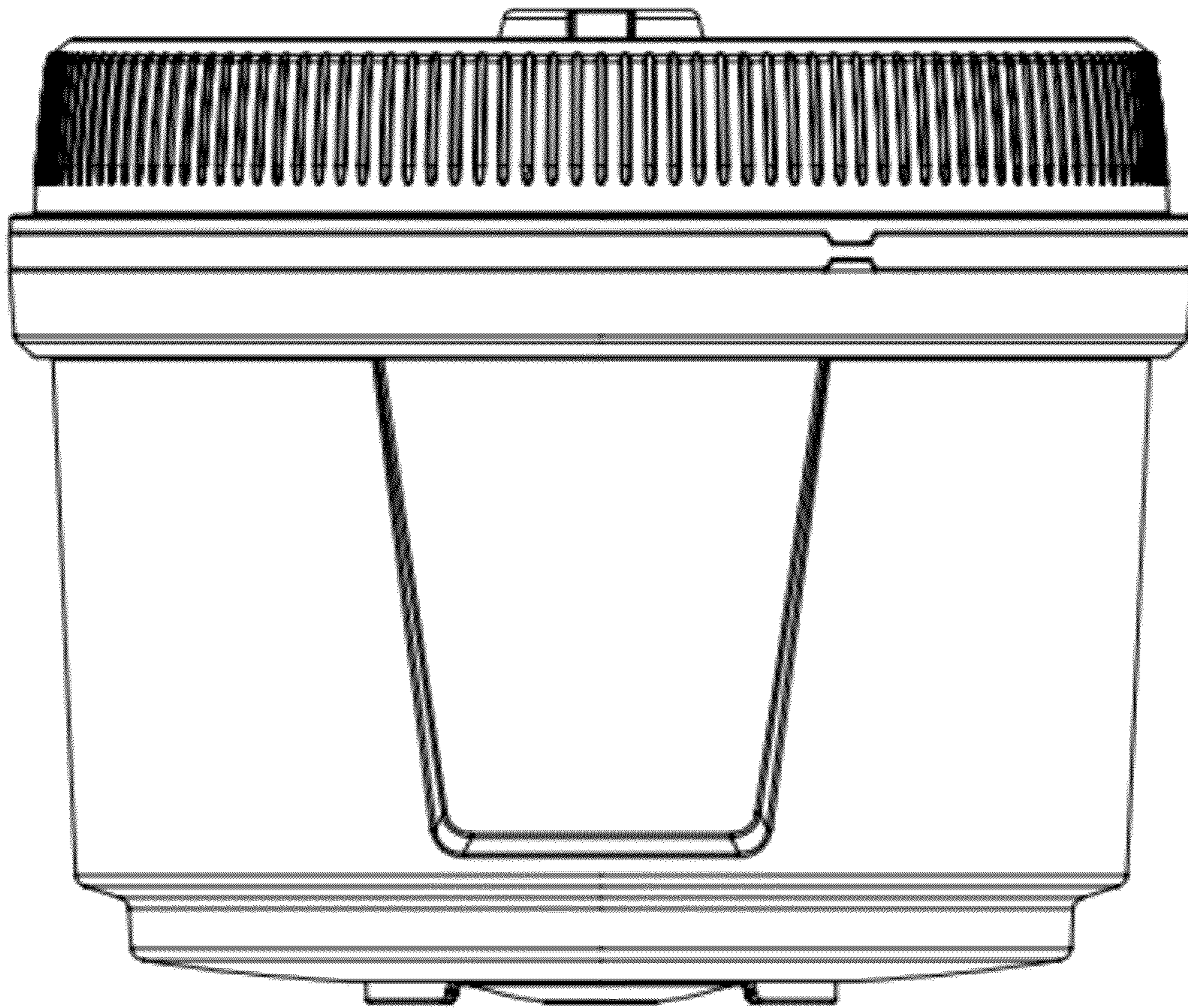


FIG. 8



FIG. 9



FIG. 10