



US00D674463S

(12) **United States Design Patent**  
**Wilder et al.**

(10) **Patent No.:** **US D674,463 S**  
(45) **Date of Patent:** **\*\* Jan. 15, 2013**

(54) **FILTER FOR A LIQUID DISPENSER**

(56)

**References Cited**

(75) Inventors: **Haim Wilder**, Raanana (IL); **Eyal Krystal**, Kfar Saba (IL); **Omri Bar-On**, Jerusalem (IL); **Shlomi Hillel**, Petach Tikva (IL)

(73) Assignee: **Strauss Water Ltd.**, Petach Tikva (IL)

(\*\*) Term: **14 Years**

(21) Appl. No.: **29/422,984**

(22) Filed: **May 25, 2012**

U.S. PATENT DOCUMENTS

4,454,037	A	*	6/1984	Conterio et al.	210/120
D406,874	S	*	3/1999	Farley	D23/209
D466,969	S	*	12/2002	Druga	D23/209
D472,604	S	*	4/2003	Fritze	D23/209
7,232,522	B1	*	6/2007	Lasley et al.	210/232
D546,412	S	*	7/2007	Kennedy et al.	D23/209
D570,951	S	*	6/2008	Morita et al.	D23/209
D629,865	S	*	12/2010	Riedel	D23/209
D637,692	S	*	5/2011	Riedel	D23/209
D650,886	S	*	12/2011	Bridges et al.	D23/207
8,123,937	B2	*	2/2012	Hacker	210/232
8,216,463	B1	*	7/2012	Baird	210/232

\* cited by examiner

**Related U.S. Application Data**

(62) Division of application No. 29/389,614, filed on Apr. 14, 2011.

**Foreign Application Priority Data**

Oct. 14, 2010	(IL)	50163
Oct. 14, 2010	(IL)	50164
Oct. 14, 2010	(IL)	50165
Oct. 14, 2010	(IL)	50166
Dec. 30, 2010	(IL)	50468

(51) **LOC (9) Cl.** ..... **23-01**

(52) **U.S. Cl.** ..... **D23/209; D7/400**

(58) **Field of Classification Search** ..... D7/306-311,  
D7/300, 397, 399, 406, 400; D15/80; 222/146.6;  
D23/209, 207; 99/295, 305; D6/545, 542,  
D6/467

See application file for complete search history.

*Primary Examiner* — Marianne Pandozzi

(74) *Attorney, Agent, or Firm* — Nath, Goldberg & Meyer;  
Jerald L. Meyer

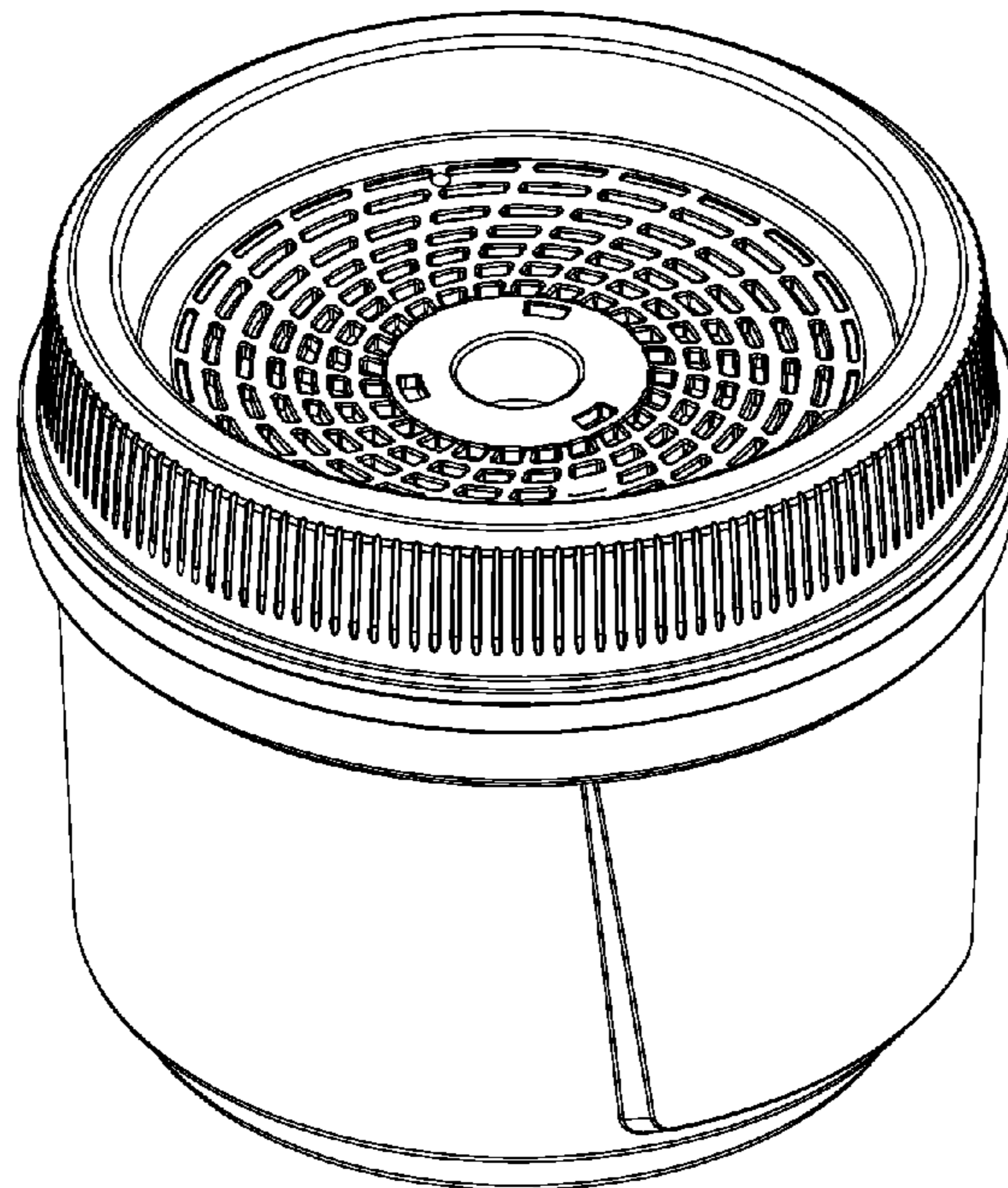
(57) **CLAIM**

The ornamental design for a filter for a liquid dispenser, as shown and described.

**DESCRIPTION**

FIG. 1 is a top perspective view of a filter for a liquid dispenser showing our new design in extended position; FIG. 2 is another top perspective view thereof; FIG. 3 is a bottom view thereof; FIG. 4 is a top plan view thereof; FIG. 5 is a side elevational view thereof; FIG. 6 is another side elevational view thereof; FIG. 7 is another side elevational view thereof; FIG. 8 is another side elevational view thereof; FIG. 9 is a bottom perspective view thereof; and, FIG. 10 is another bottom perspective view thereof.

**1 Claim, 10 Drawing Sheets**



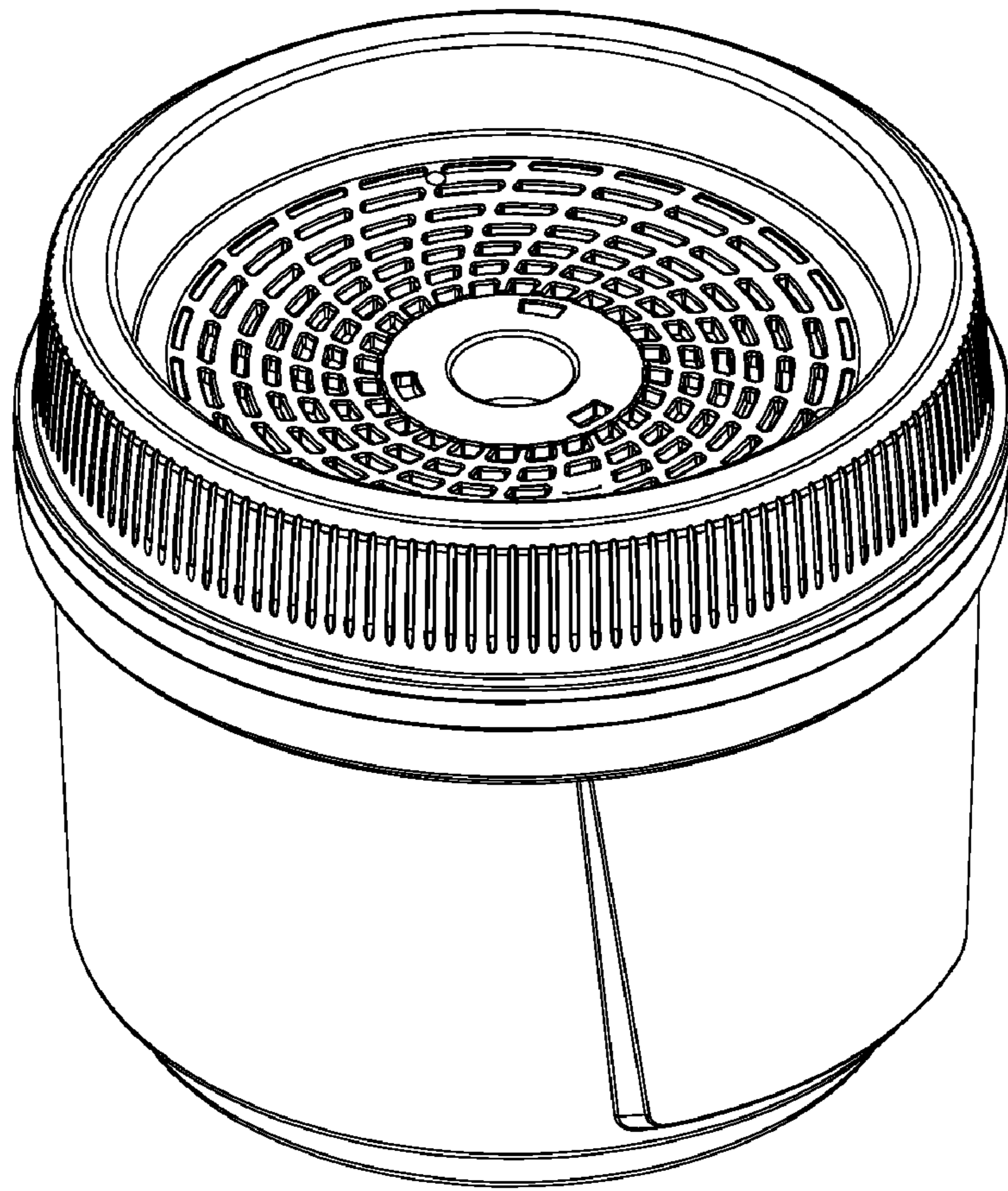


FIG. 1

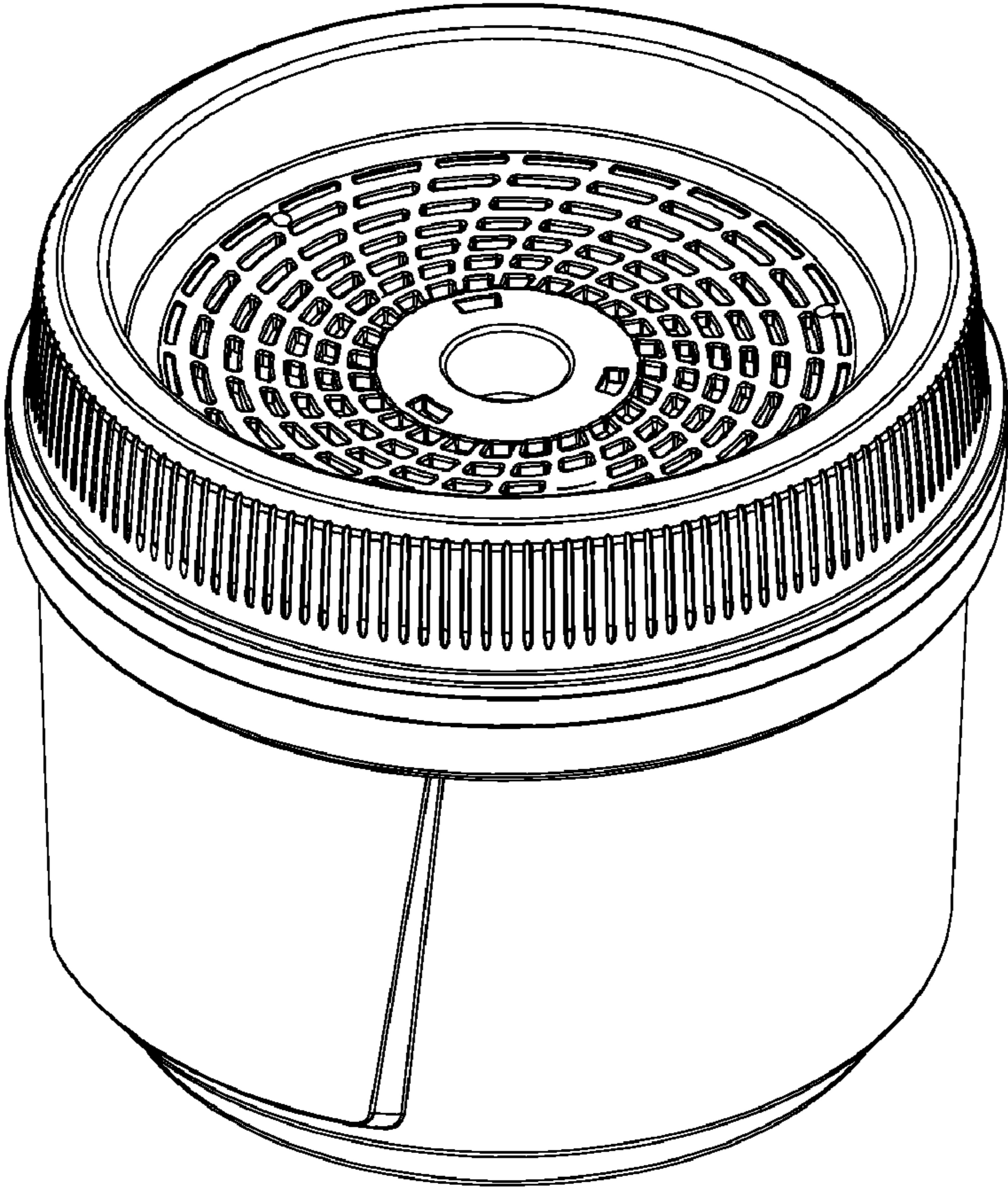


FIG. 2

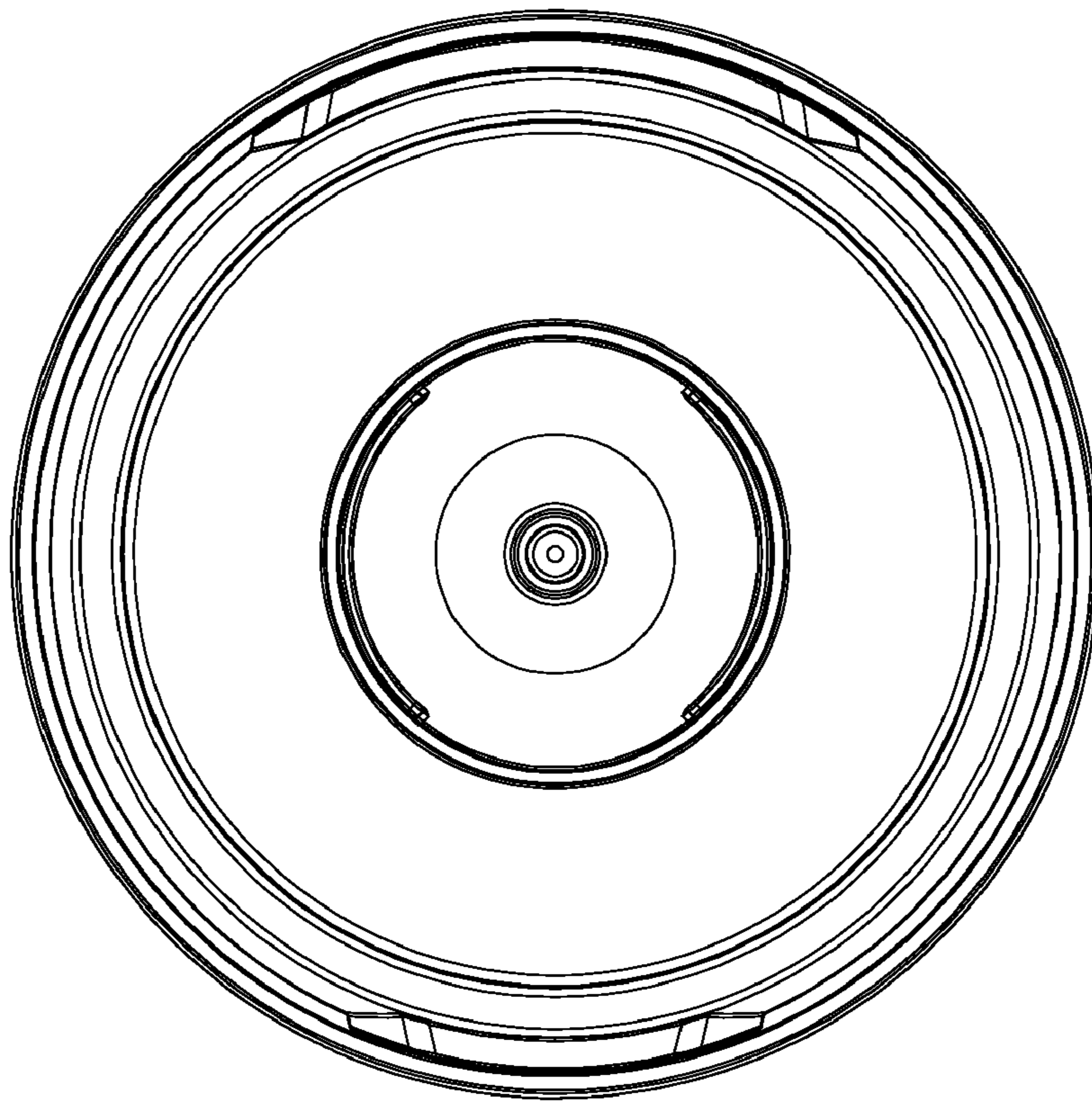


FIG. 3

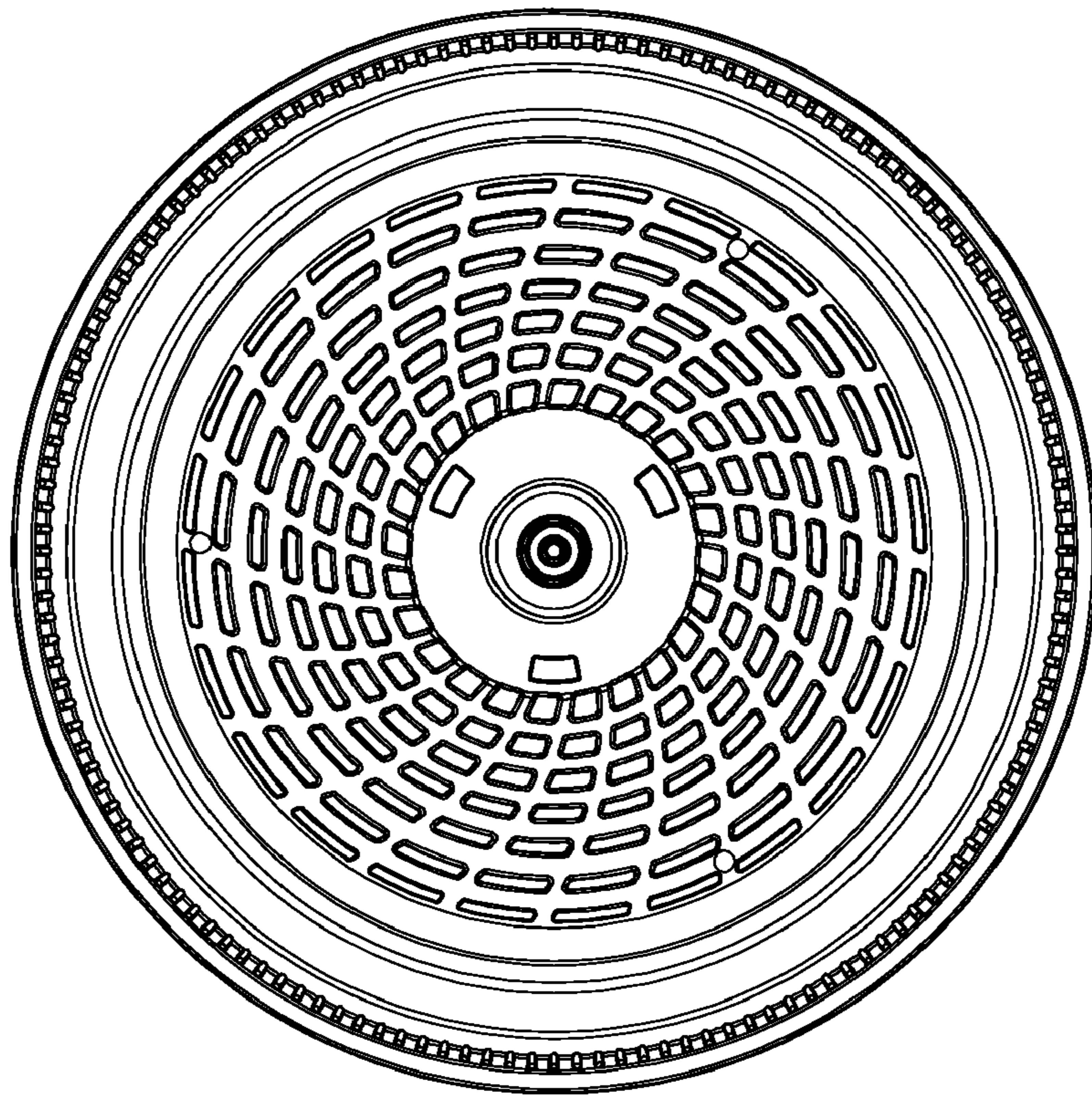


FIG. 4

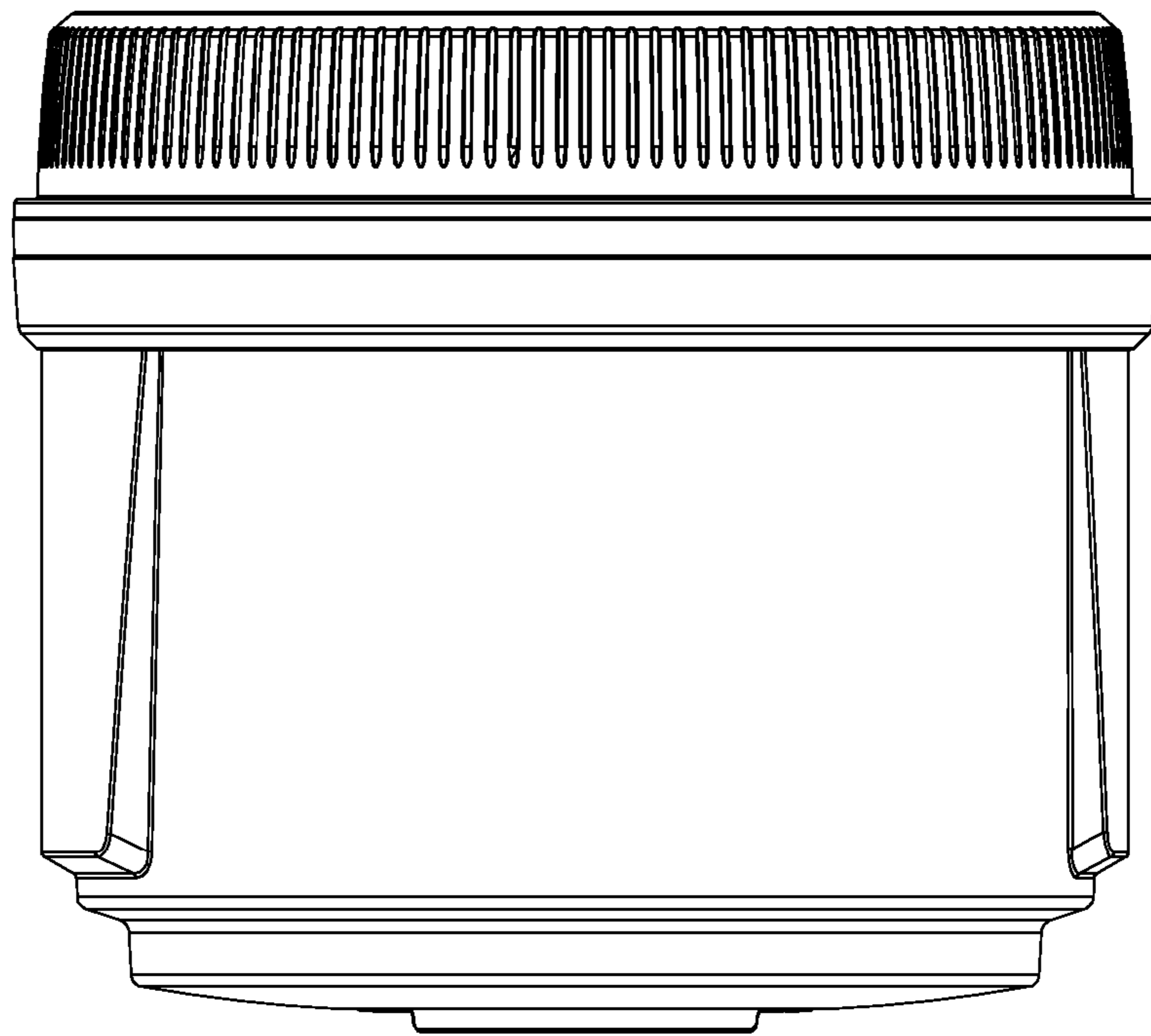


FIG. 5

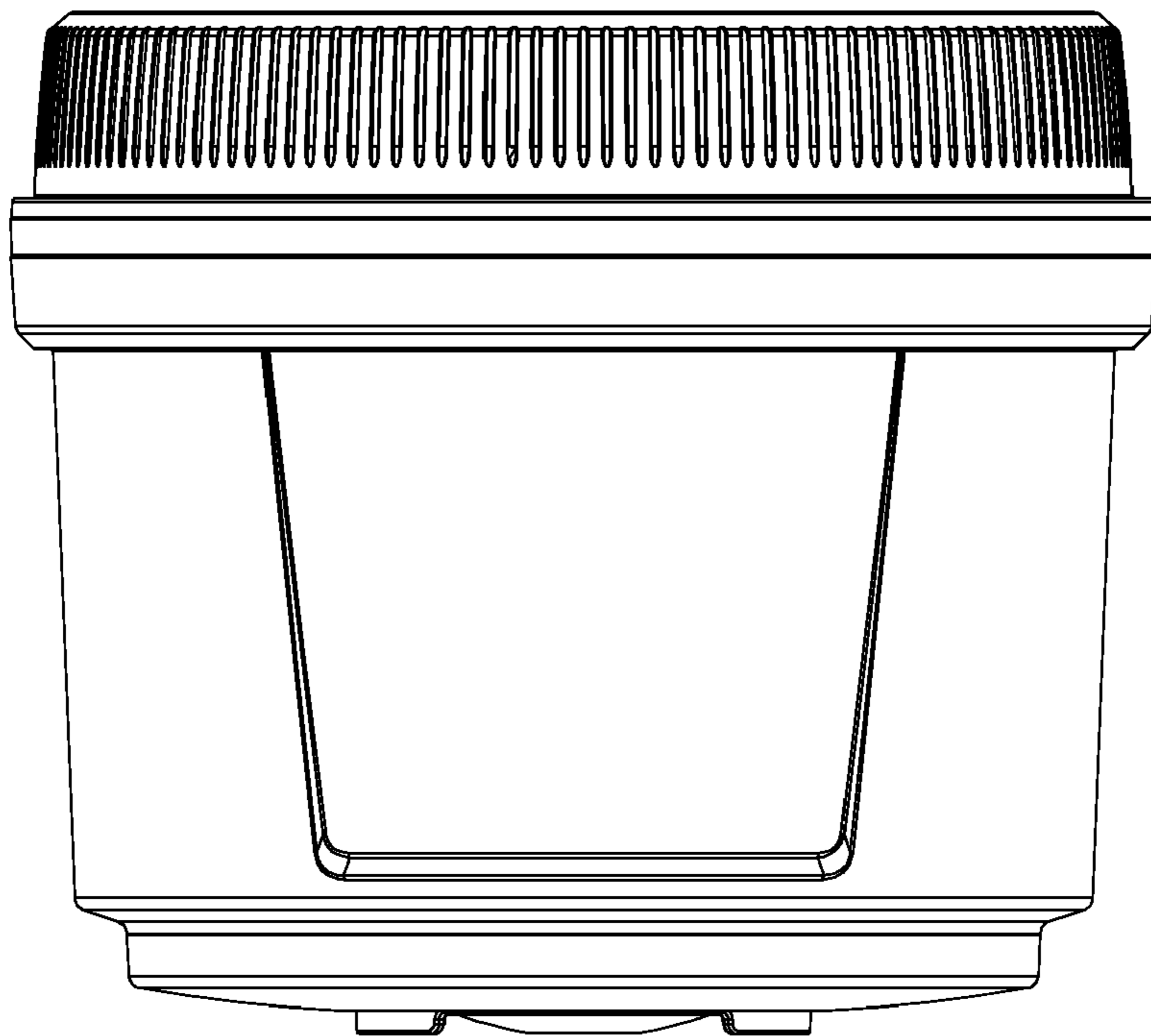


FIG. 6

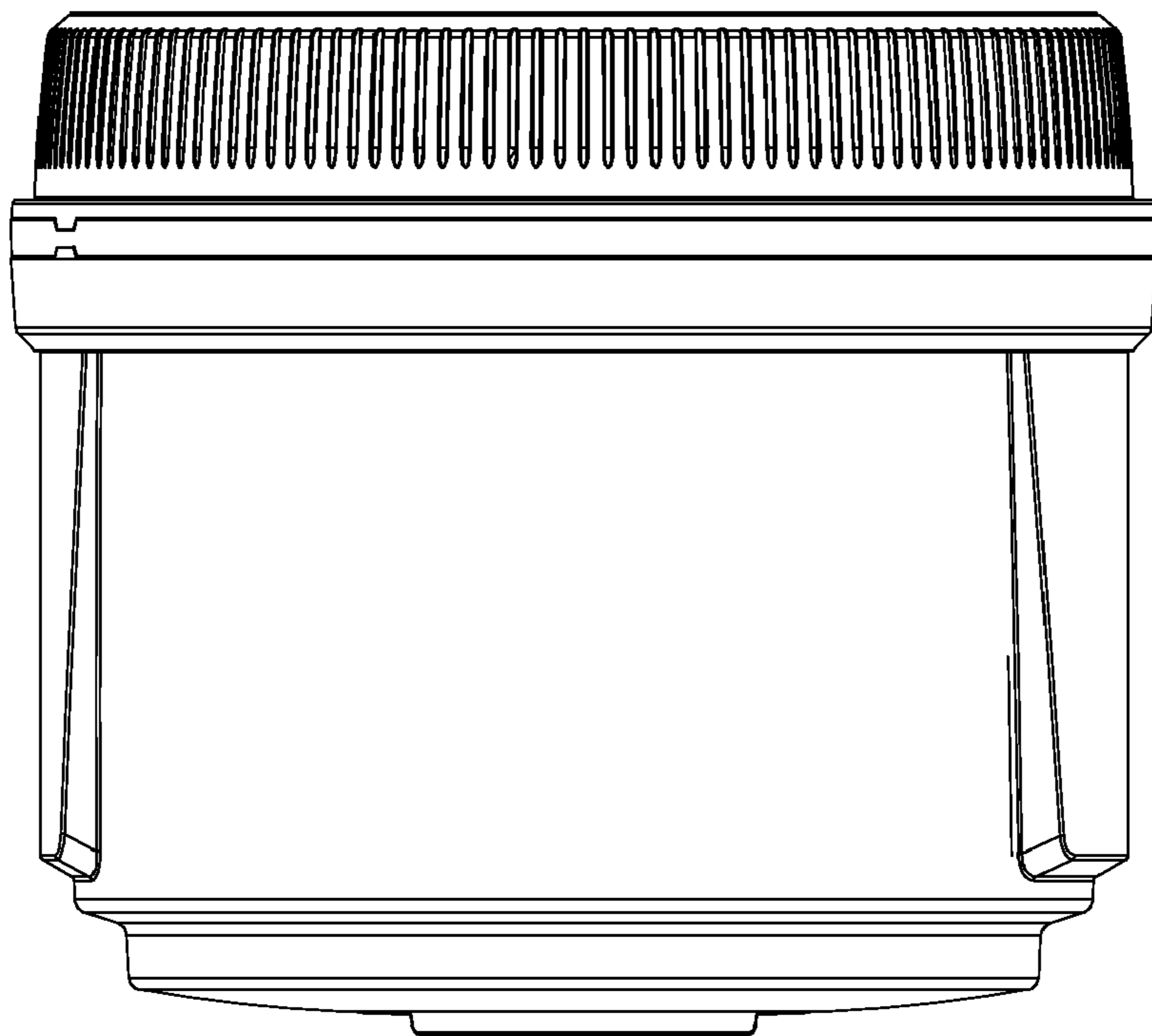


FIG. 7



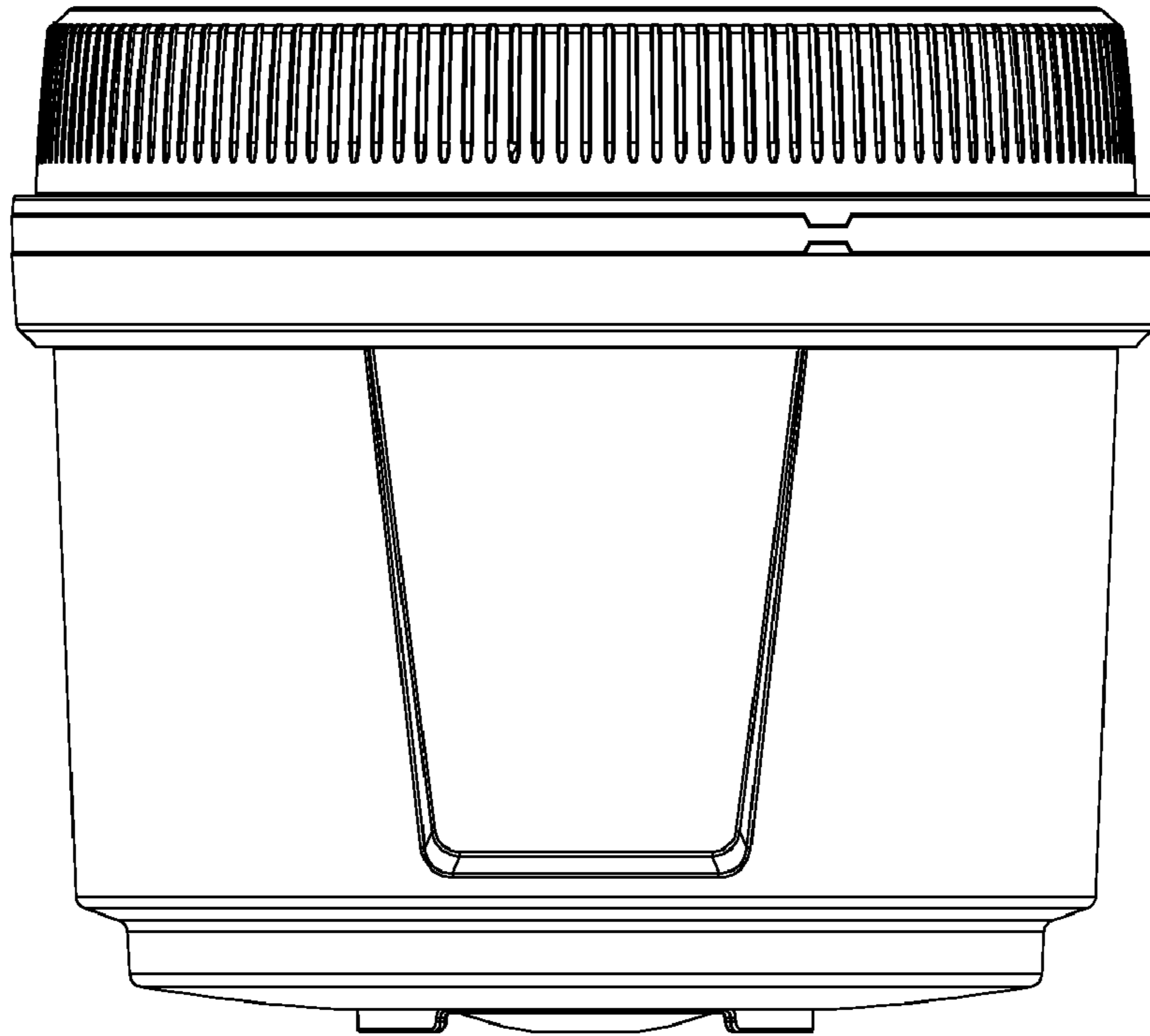


FIG. 8

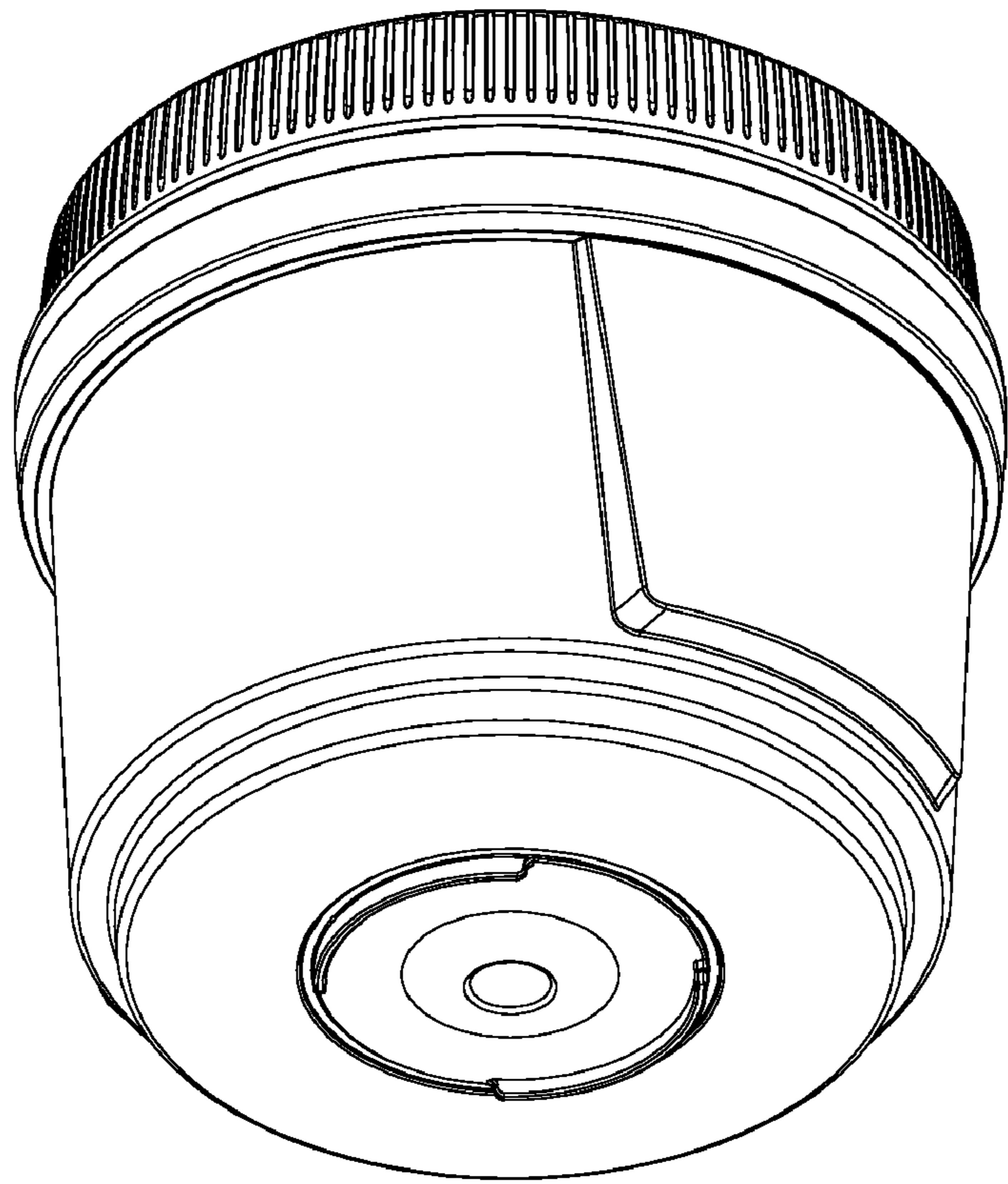


FIG. 9

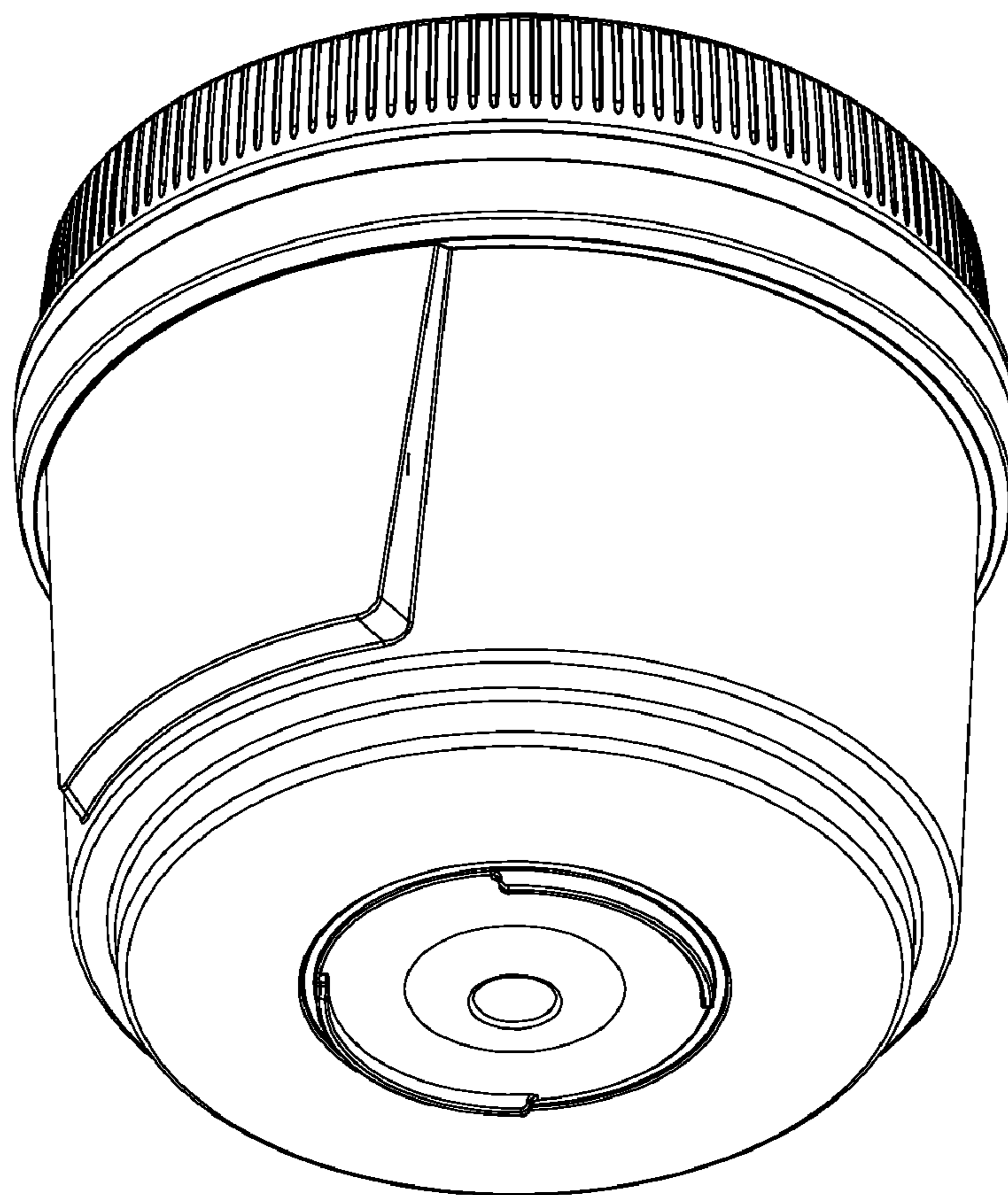


FIG. 10