



US00D674462S

(12) **United States Design Patent**
Guastella et al.

(10) **Patent No.:** **US D674,462 S**
(45) **Date of Patent:** **** Jan. 15, 2013**

(54) **CLEANING SOLUTION GENERATOR**

(75) Inventors: **Robert James Guastella**, Delano, MN (US); **Michael Alexander Andreini**, Stillwater, MN (US); **Daniel Paul Longhenry**, Bloomington, MN (US); **Jeffrey Allen Johnson**, St. Paul, MN (US); **Allen John Rapatz**, Minneapolis, MN (US); **Joseph Lewis Pouliot**, Elk River, MN (US); **David John Copeland**, Minnetonka, MN (US); **Daniel L. Joynt**, Columbus, MN (US); **Richard Mark Pierce**, Coon Rapids, MN (US); **Reid Philip Rabon**, Hanover, MN (US)

(73) Assignee: **Tennant Company**, Minneapolis, MN (US)

(**) Term: **14 Years**

(21) Appl. No.: **29/386,811**

(22) Filed: **Mar. 4, 2011**

(51) **LOC (9) Cl.** **23-01**

(52) **U.S. Cl.** **D23/200**

(58) **Field of Classification Search** D32/22, D32/30, 31, 34, 15, 1; 15/347, 350-353, 15/410-412, 320, 414, 327.4, 340.1, 340.2, 15/329, 361-362, 415.1; 55/429, DIG. 3, 55/337; 301/7; D23/225, 200, 202, 206, D23/207; 205/337

See application file for complete search history.

(56) **References Cited**

U.S. PATENT DOCUMENTS

D273,695 S *	5/1984	Johnson et al.	D23/207
D350,805 S *	9/1994	Berfield	D23/202
D361,822 S *	8/1995	Fujinaka et al.	D23/202
D371,186 S *	6/1996	Grayson	D23/207
D376,191 S *	12/1996	Stapensea et al.	D23/202
D437,384 S *	2/2001	Fletcher et al.	D23/207

D483,092 S *	12/2003	Hamada	D23/207
D490,947 S *	6/2004	Cattaneo	D32/15
D519,693 S *	4/2006	Ricker et al.	D32/15
D557,373 S *	12/2007	Terada	D23/207
D560,046 S *	1/2008	Renner	D32/15
D567,458 S *	4/2008	Jiang et al.	D32/15
D649,308 S *	11/2011	Alexander et al.	D32/15
2003/0159231 A1	8/2003	Oh	

FOREIGN PATENT DOCUMENTS

EP	0636581 A1	2/1995
EP	0761235 B1	3/1997
KR	100599229 B1	7/2006
KR	20090123297	12/2009
WO	2008131389 A1	10/2008
WO	2009039674 A1	4/2009
WO	2009046563 A2	4/2009

* cited by examiner

Primary Examiner — Ruth McInroy

(74) *Attorney, Agent, or Firm* — David D. Brush; Westman, Champlin & Kelly, P.A.

(57) **CLAIM**

We claim the ornamental design for a cleaning solution generator, as shown and described.

DESCRIPTION

FIG. 1 is a top front perspective view of a cleaning solution generator;

FIG. 2 is a front view thereof;

FIG. 3 is a rear view thereof;

FIG. 4 is a right side view thereof;

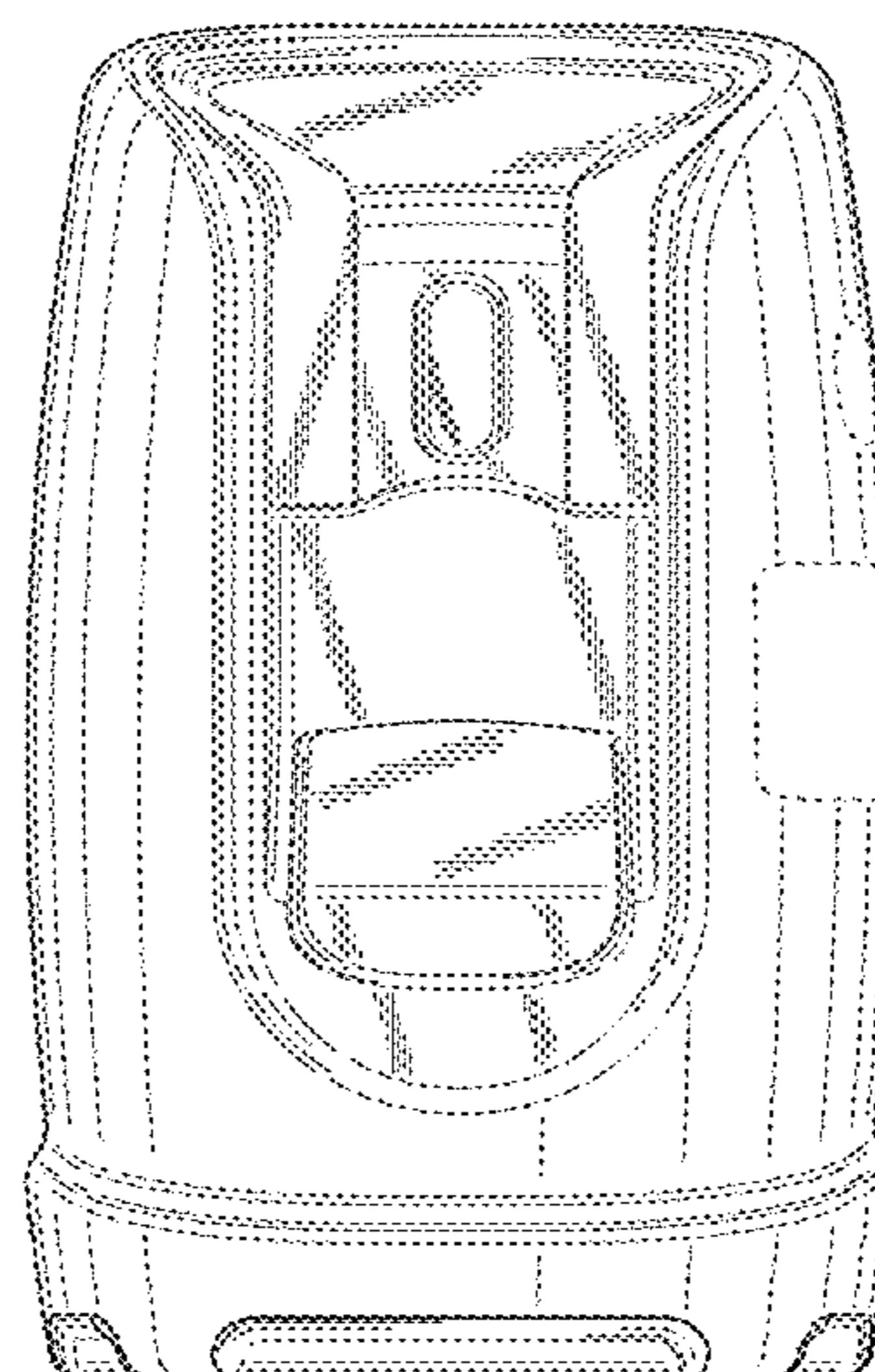
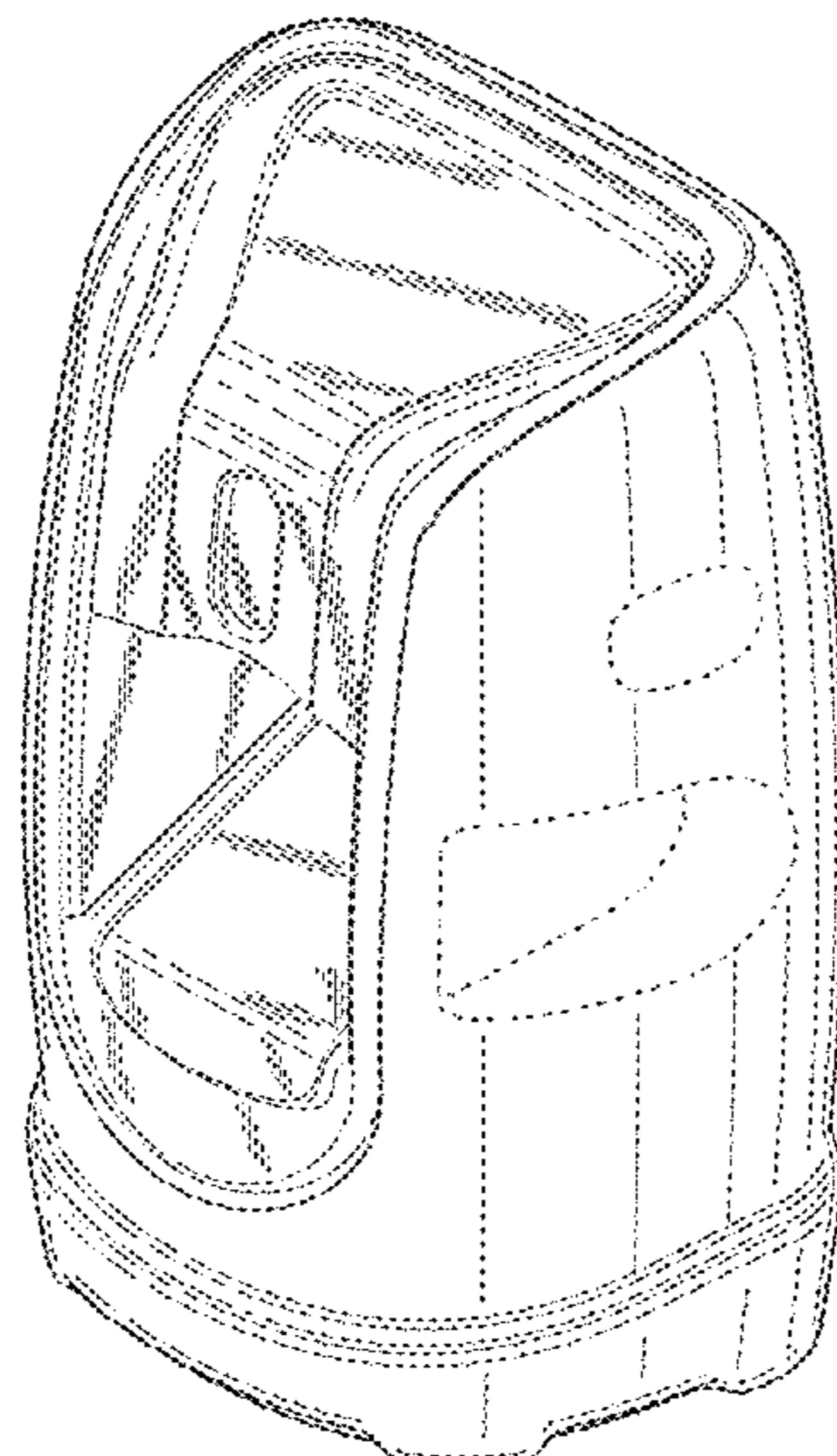
FIG. 5 is a left side view thereof;

FIG. 6 is a top view thereof; and,

FIG. 7 is a bottom view thereof.

Features illustrated with dashed lines are not considered features of the invention being claimed, but rather illustrate an exemplary environment for the claimed features illustrated with solid lines.

1 Claim, 6 Drawing Sheets



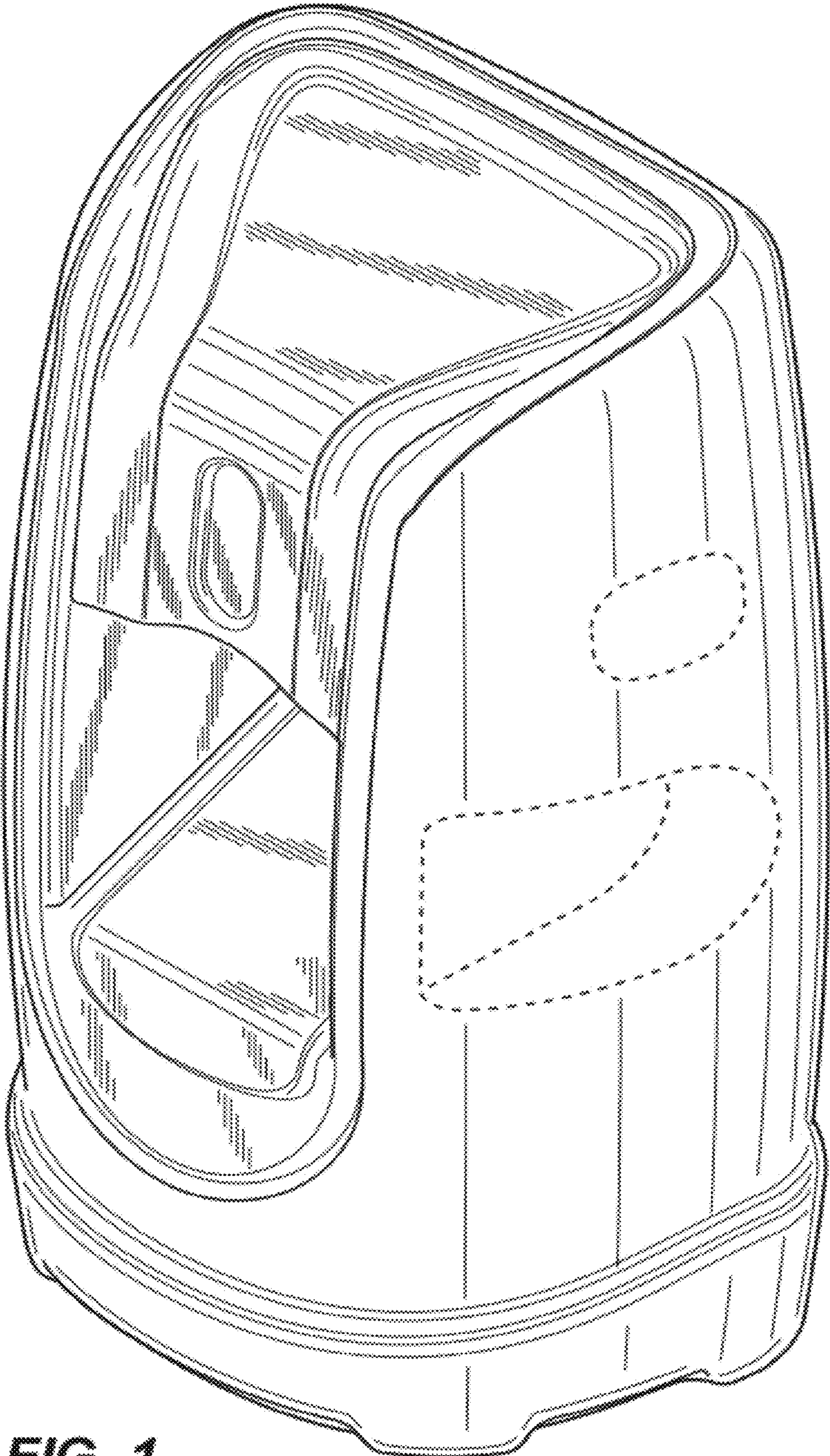


FIG. 1

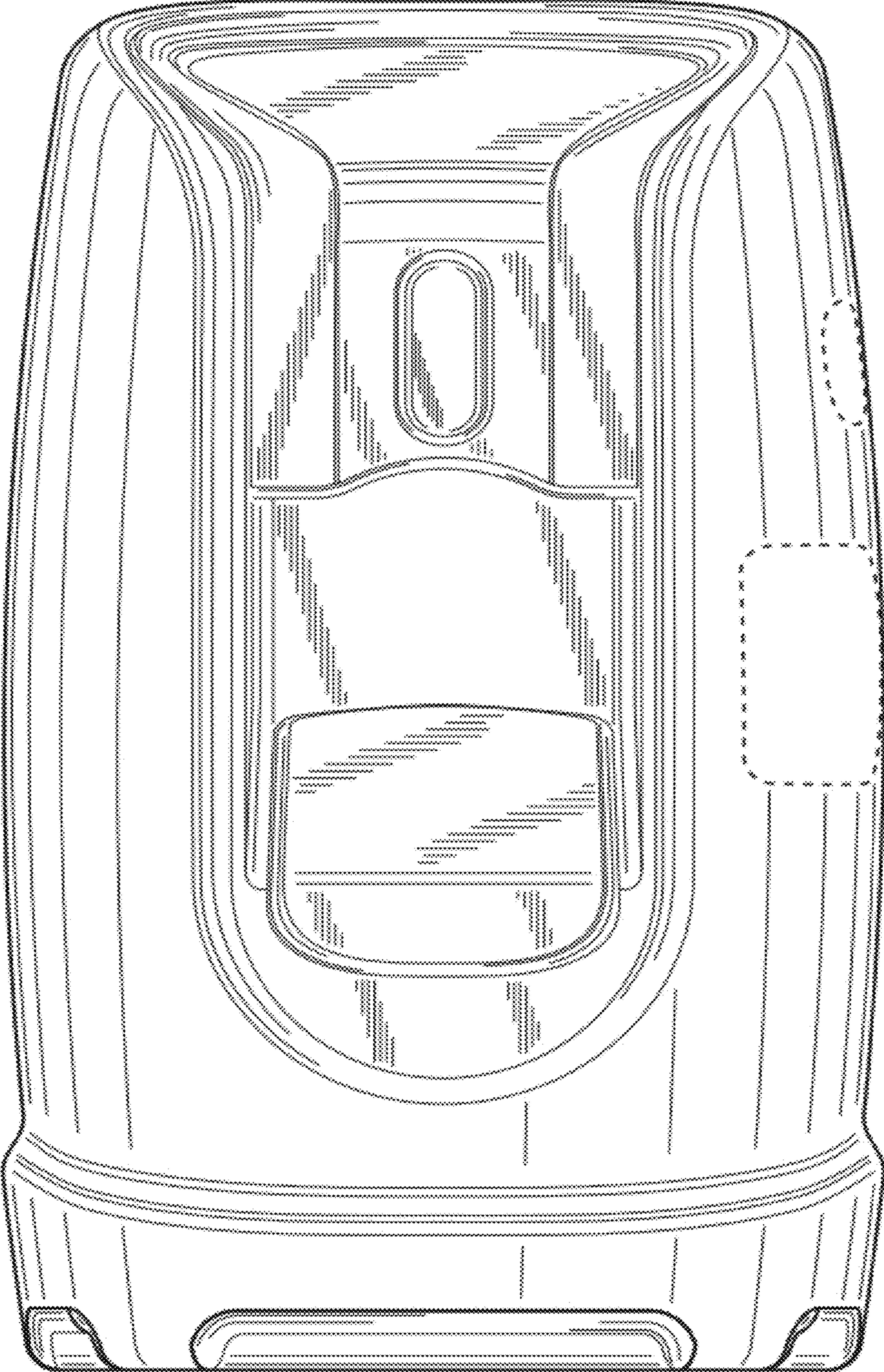


FIG. 2

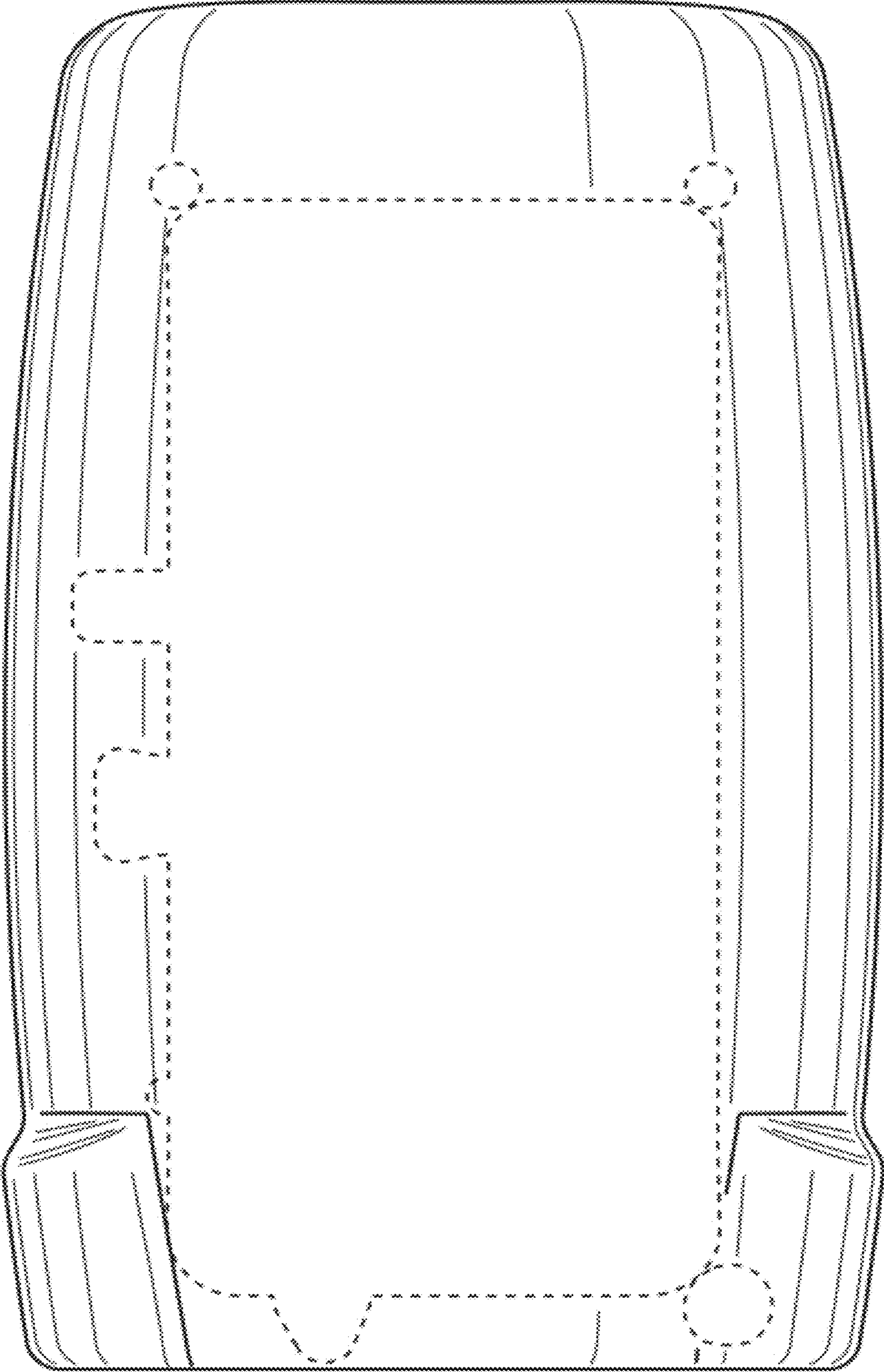


FIG. 3

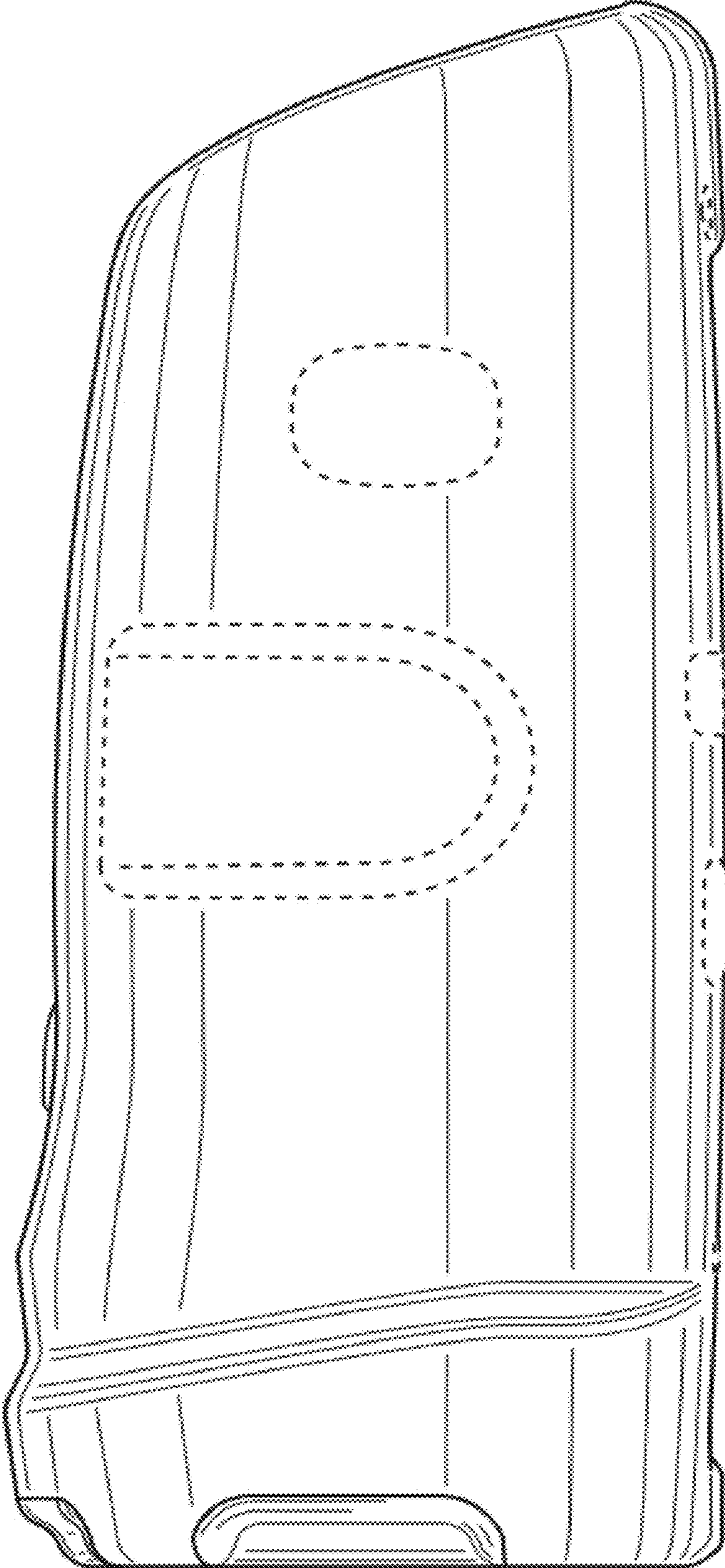


FIG. 4



FIG. 5

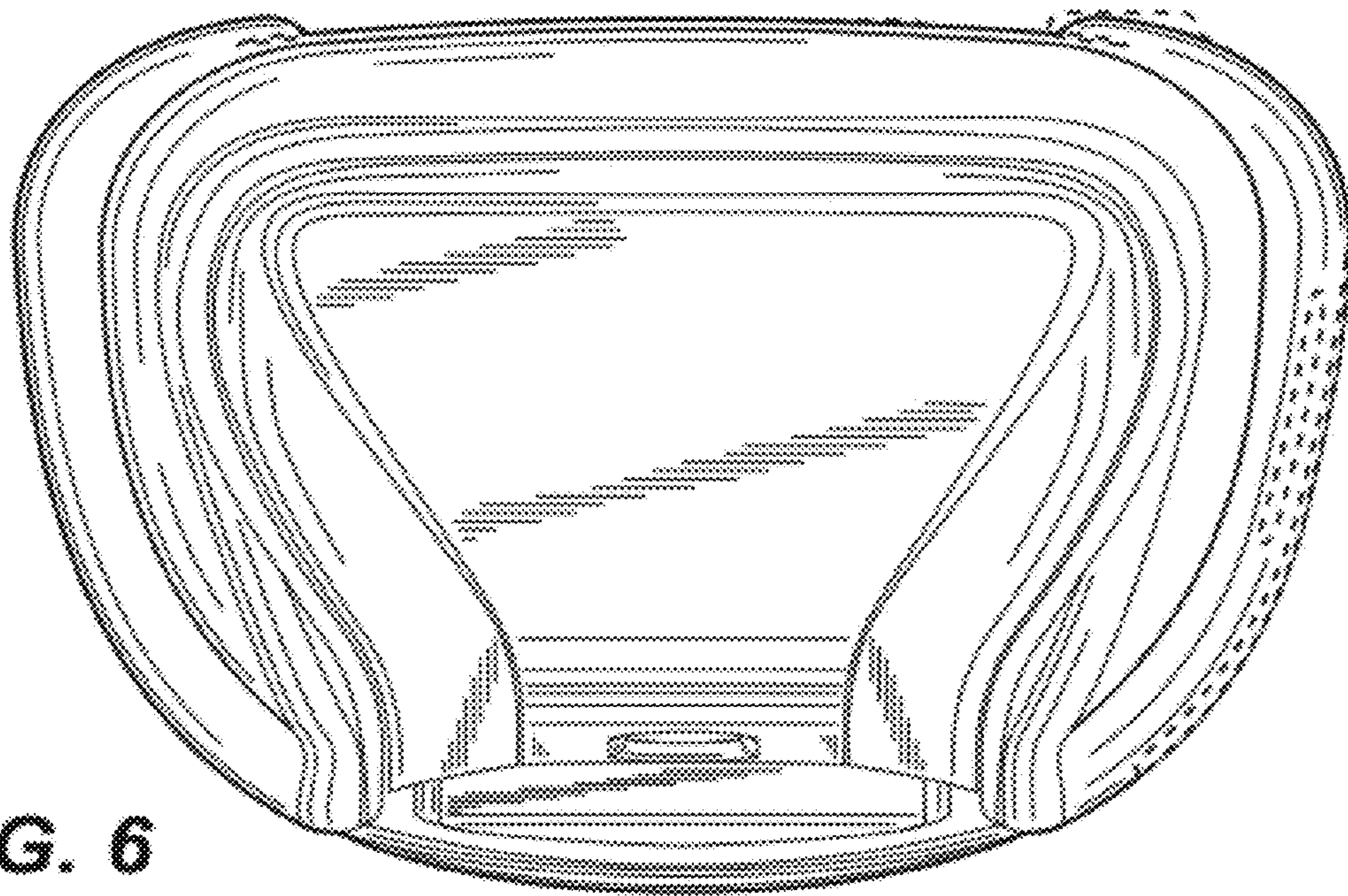


FIG. 6

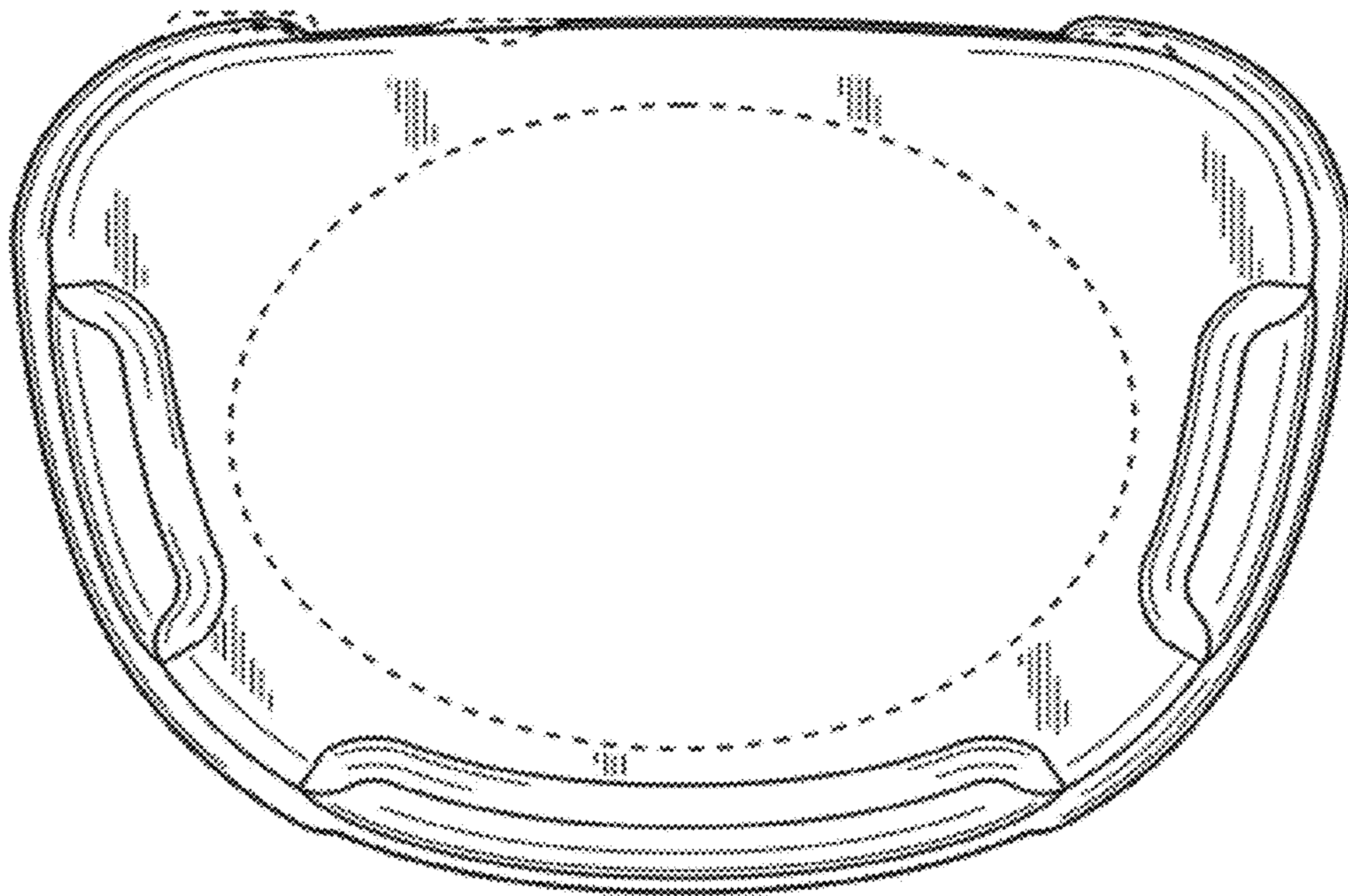


FIG. 7