



US00D674451S

(12) **United States Design Patent**
Pottorff

(10) **Patent No.:** **US D674,451 S**

(45) **Date of Patent:** **** Jan. 15, 2013**

(54) **HOSEL AND HEAD PORTION OF GOLF PUTTER**

(75) Inventor: **Earl T. Pottorff**, Savannah, NY (US)

(73) Assignee: **Pearl ProSports, Inc.**, Savannah, NY (US)

(**) Term: **14 Years**

(21) Appl. No.: **29/415,155**

(22) Filed: **Mar. 8, 2012**

(51) **LOC (9) Cl.** **21-02**

(52) **U.S. Cl.** **D21/742**

(58) **Field of Classification Search** D21/736-746,
D21/759; 473/324-331, 251-256, 340-341
See application file for complete search history.

(56) **References Cited**

U.S. PATENT DOCUMENTS

2,478,468	A *	8/1949	Drake	473/313
3,675,923	A *	7/1972	Allen et al.	473/313
3,989,257	A *	11/1976	Barr	473/251
D247,319	S *	2/1978	Barr	D21/741
D264,366	S *	5/1982	Roskopf et al.	D21/741
D272,257	S *	1/1984	Perkins	D21/759
5,267,733	A *	12/1993	Szokola	473/313
5,340,104	A *	8/1994	Griffin	473/340

5,382,019	A *	1/1995	Sneed	473/304
5,795,246	A *	8/1998	Hale	473/340
6,048,275	A *	4/2000	Gedeon	473/293
D454,933	S *	3/2002	Shenoha	D21/757
6,497,626	B1 *	12/2002	Sundberg	473/248
7,976,400	B1 *	7/2011	Pottorff	473/313
2007/0265109	A1 *	11/2007	Elmer	473/313

* cited by examiner

Primary Examiner — Mitchell Siegel

(74) *Attorney, Agent, or Firm* — Bernhard P. Molldrem, Jr.

(57) **CLAIM**

The ornamental design for a hosel and head of a golf putter, as shown and described.

DESCRIPTION

FIG. 1 is a perspective view of the hosel and head of a golf putter showing my new design; the portion representing the lower end of the shaft is shown in broken line does not form a part of the design.

FIG. 2 is a right side elevational view thereof.

FIG. 3 is a front elevational view thereof.

FIG. 4 is a left side elevational view thereof.

FIG. 5 is a rear elevational view thereof.

FIG. 6 is a top view thereof; and,

FIG. 7 is a bottom view thereof, showing the sole of the putter.

1 Claim, 1 Drawing Sheet

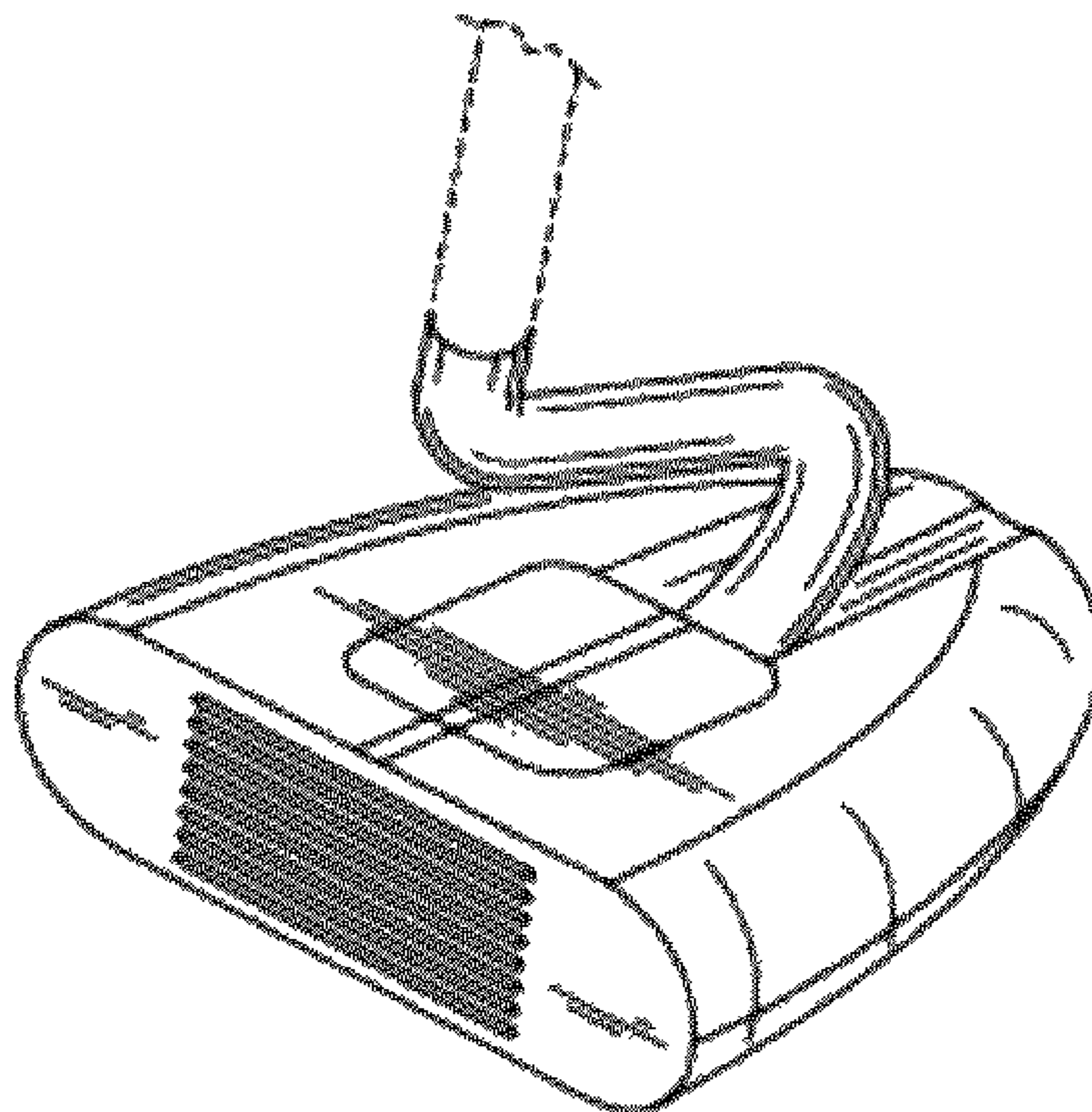


FIG.1

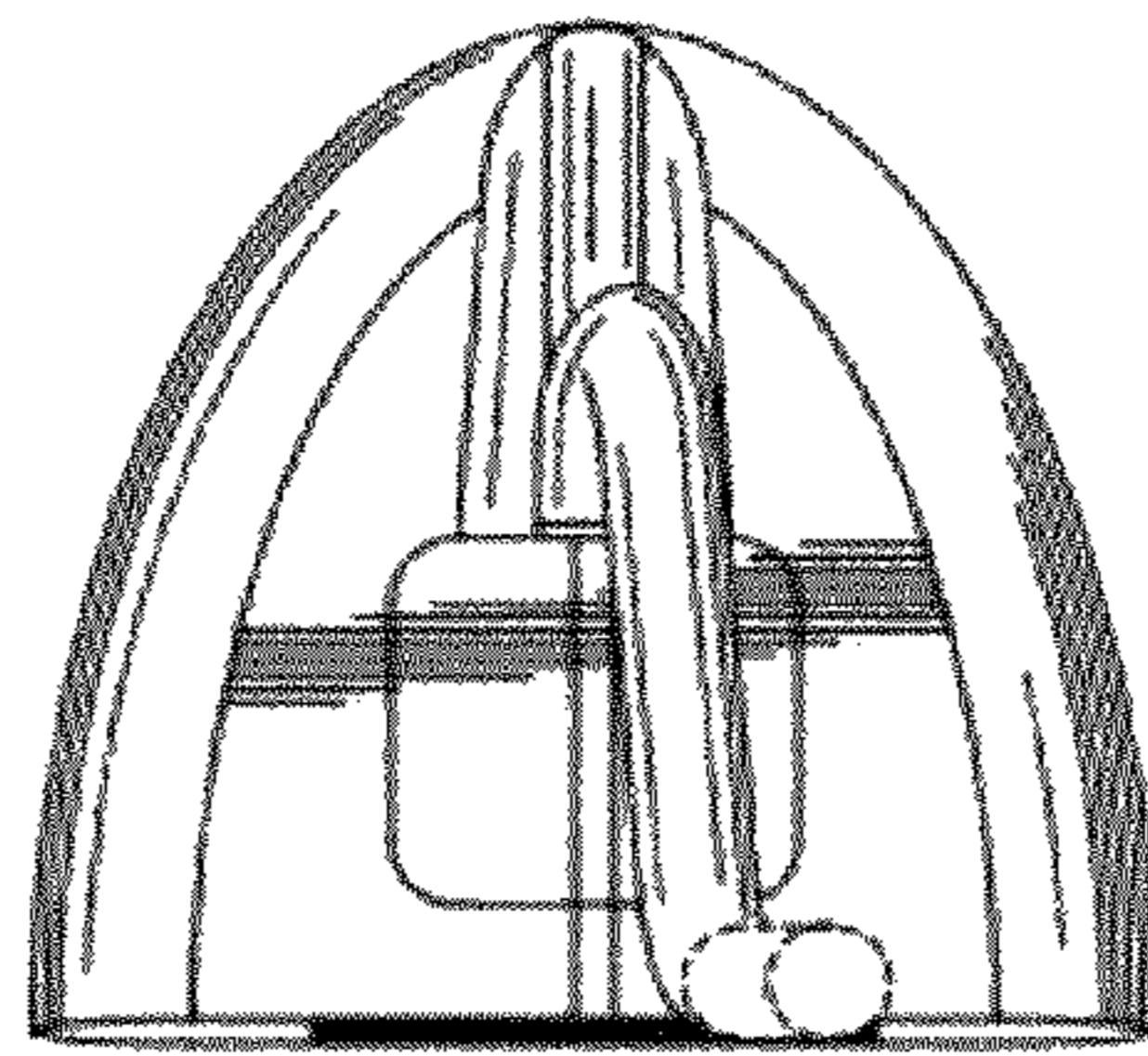
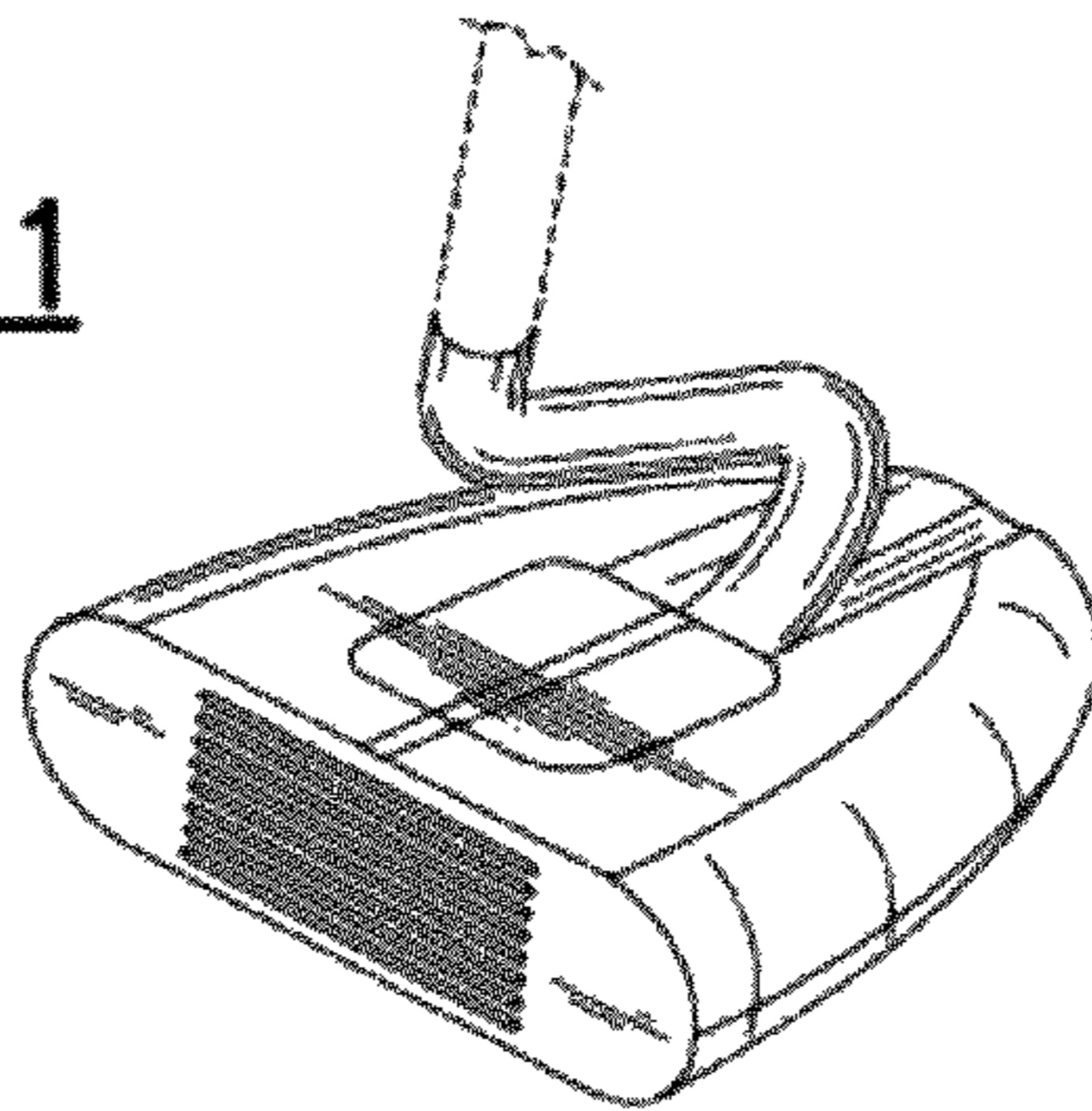


FIG.5

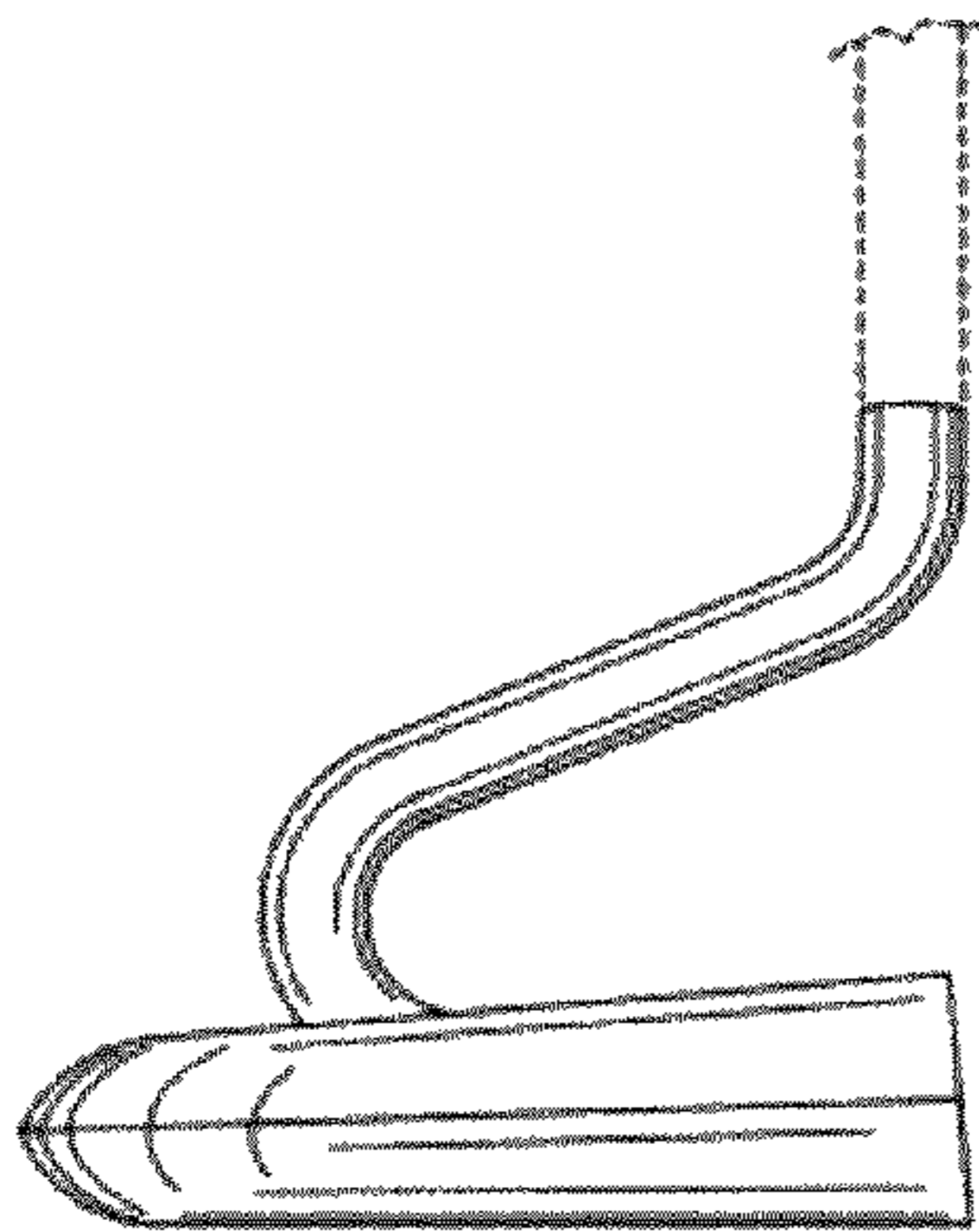


FIG.3

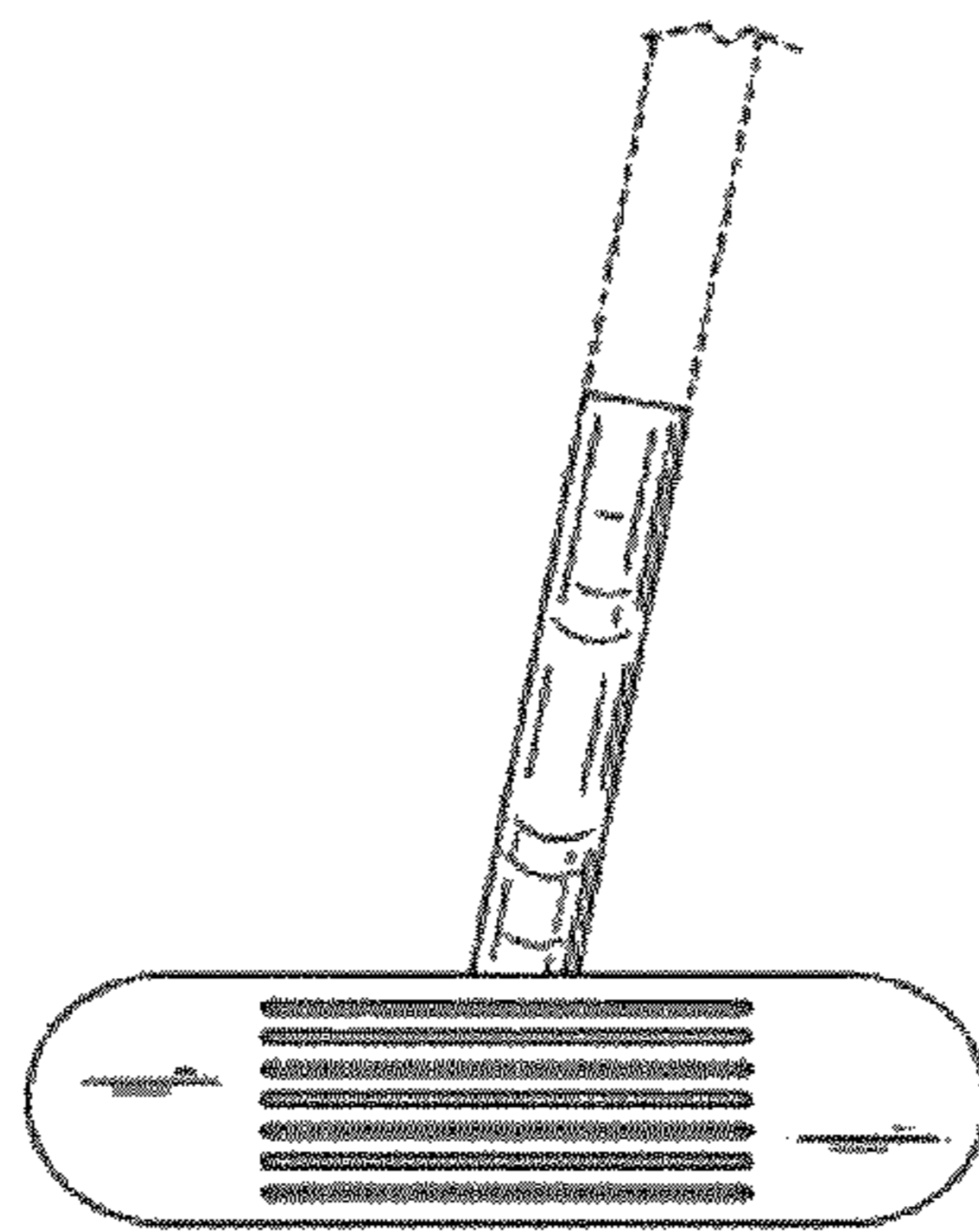


FIG.2

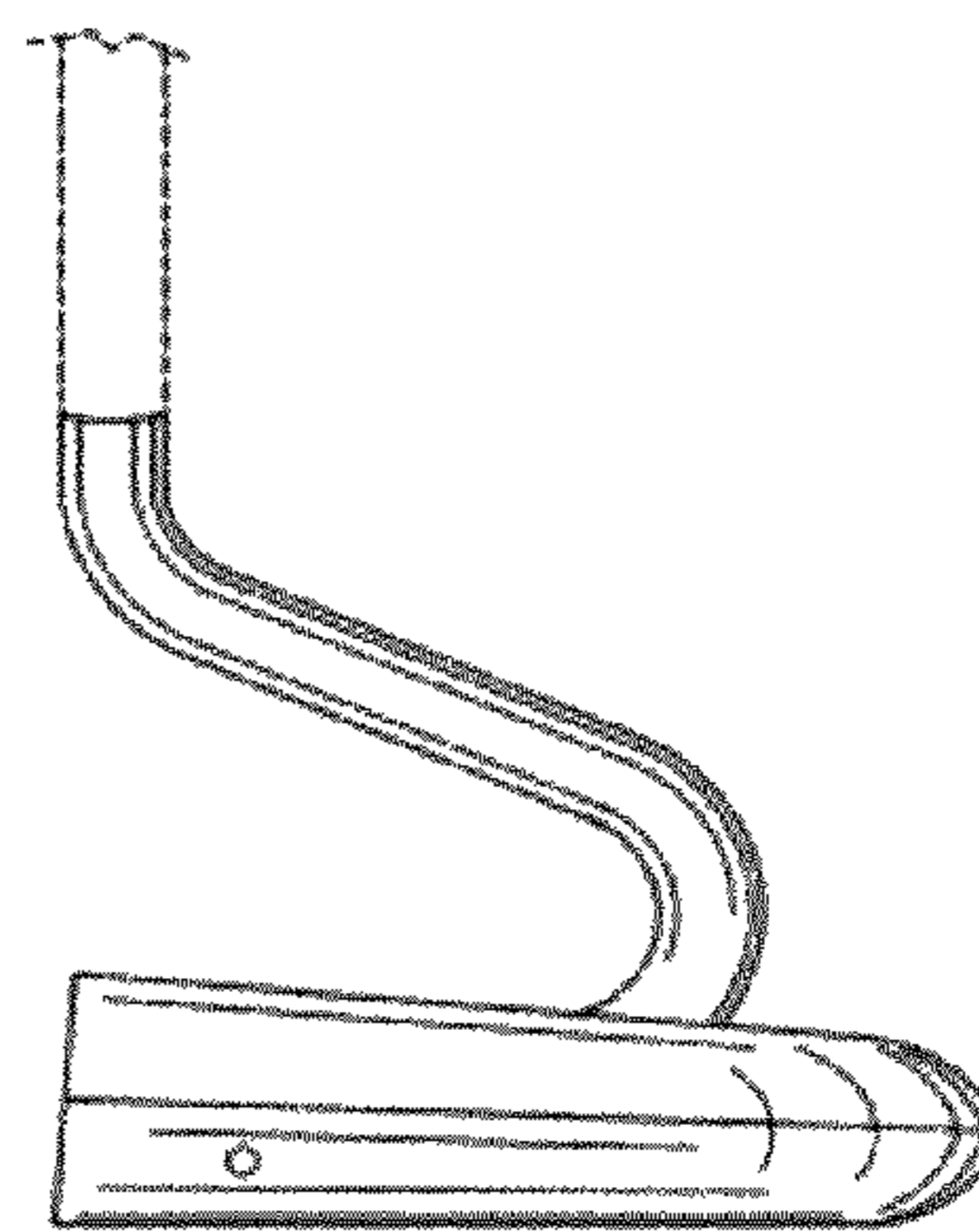


FIG.4

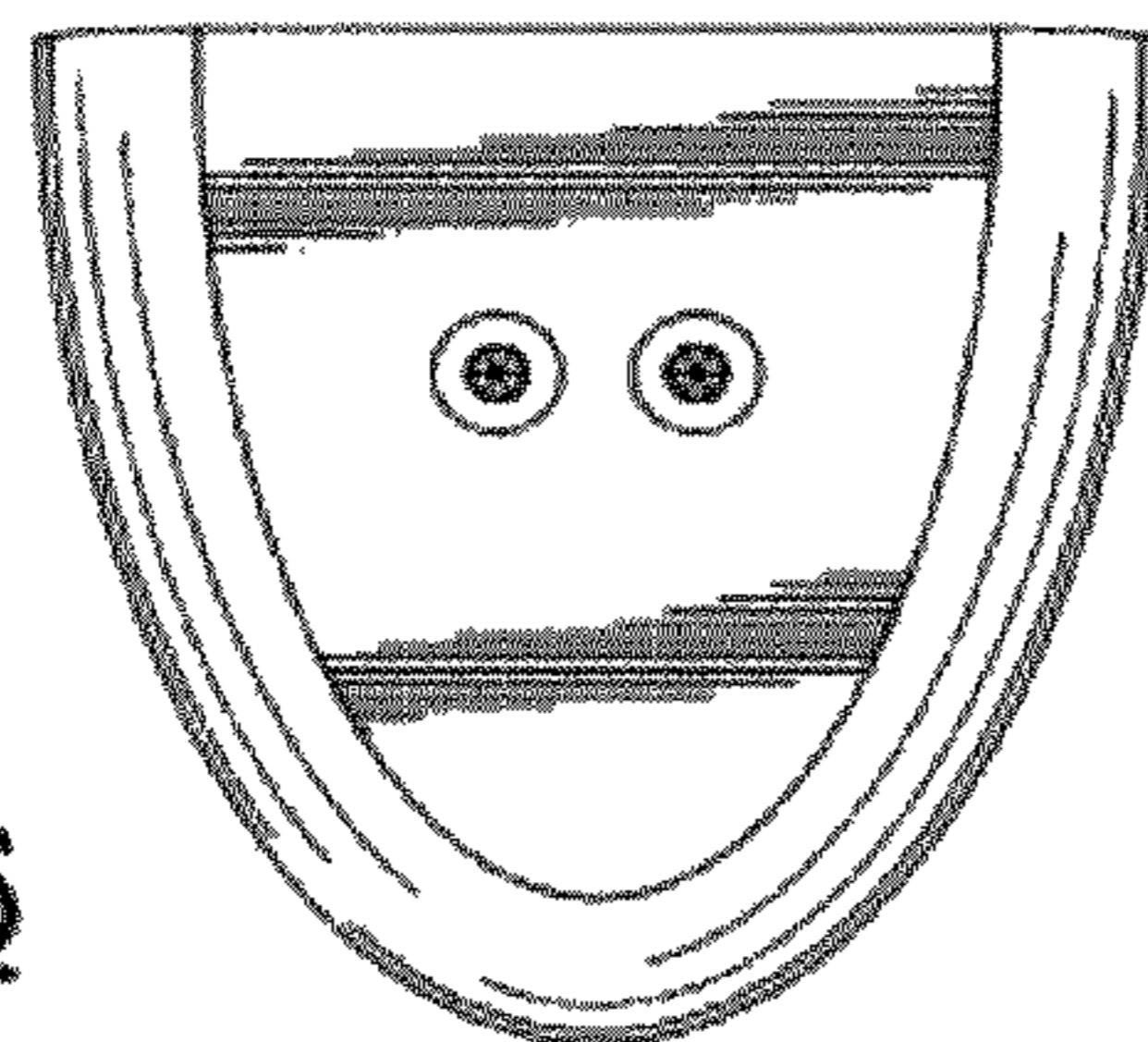


FIG.6

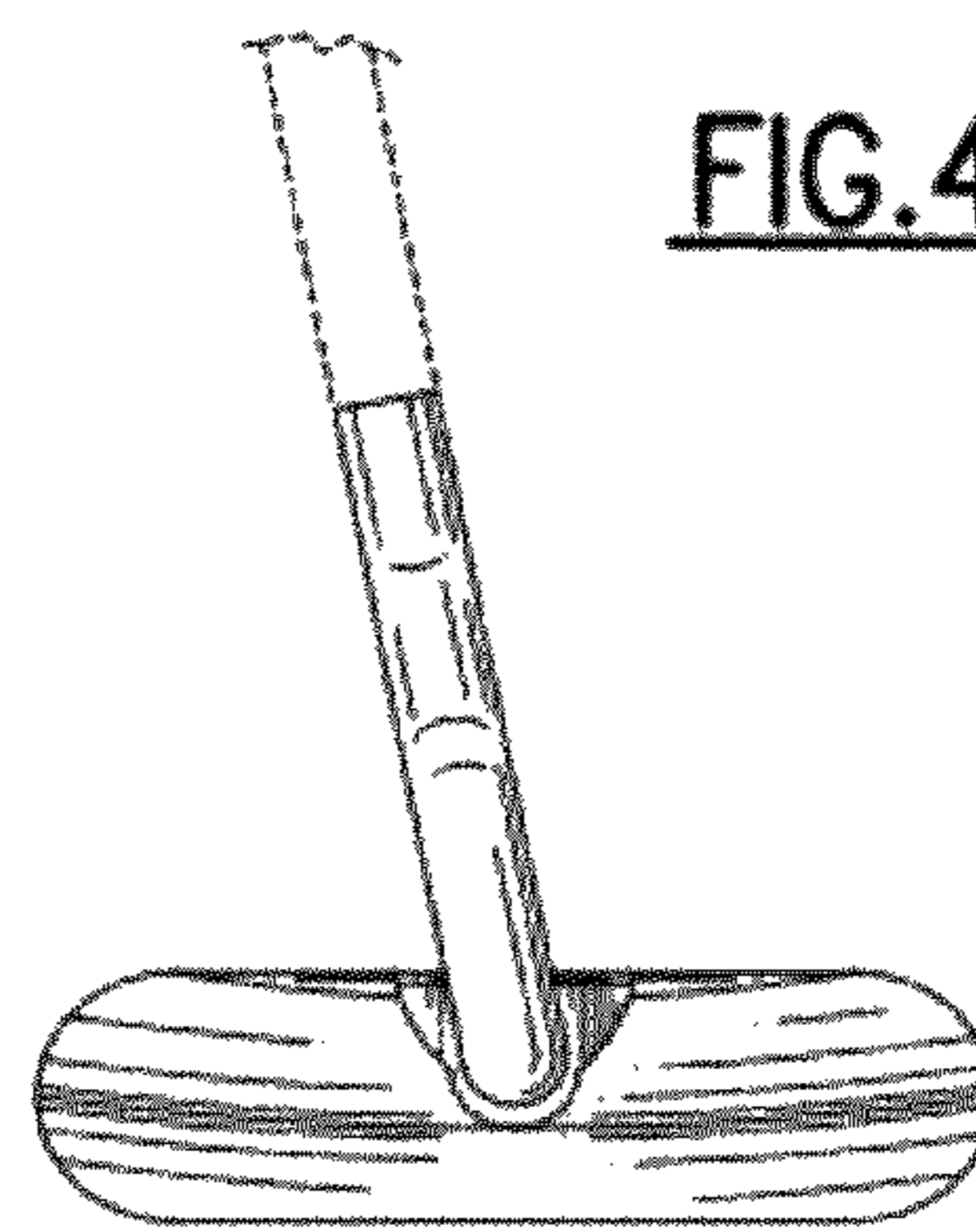


FIG.7