



US00D674450S

(12) **United States Design Patent**
Cerbo

(10) **Patent No.:** **US D674,450 S**
(45) **Date of Patent:** **** Jan. 15, 2013**

(54) **GOAL**

(76) Inventor: **Anthony M. Cerbo**, Montbille, NJ (US)

(**) Term: **14 Years**

(21) Appl. No.: **29/390,357**

(22) Filed: **Apr. 22, 2011**

(51) **LOC (9) Cl.** **21-02**

(52) **U.S. Cl.** **D21/699**

(58) **Field of Classification Search** D21/302,
D21/303, 305, 698, 699, 705, 780, 790;
473/415-504, 172, 197; 273/348-410
See application file for complete search history.

(56) **References Cited**

U.S. PATENT DOCUMENTS

2,827,295	A *	3/1958	Austin	473/421
5,088,740	A *	2/1992	Peterson	273/410
D349,518	S *	8/1994	Amram	D21/705
D353,865	S *	12/1994	Smith	D21/705
5,370,385	A *	12/1994	Joy	473/421
5,465,958	A *	11/1995	Brun	473/426
D368,290	S *	3/1996	Lobos et al.	D21/705
D377,673	S *	1/1997	Henrickson	D21/705
5,690,339	A *	11/1997	Chen	273/400

5,842,939	A *	12/1998	Pui et al.	473/478
7,235,025	B2 *	6/2007	Quinn	473/478
7,963,865	B2 *	6/2011	Rigoli	473/478
2003/0092513	A1 *	5/2003	Chen	473/446
2010/0069178	A1 *	3/2010	Plut et al.	473/435
2011/0287872	A1 *	11/2011	Lynch	473/478

* cited by examiner

Primary Examiner — Catherine Tuttle

(74) *Attorney, Agent, or Firm* — QuickPatents, Inc.; Kevin Prince

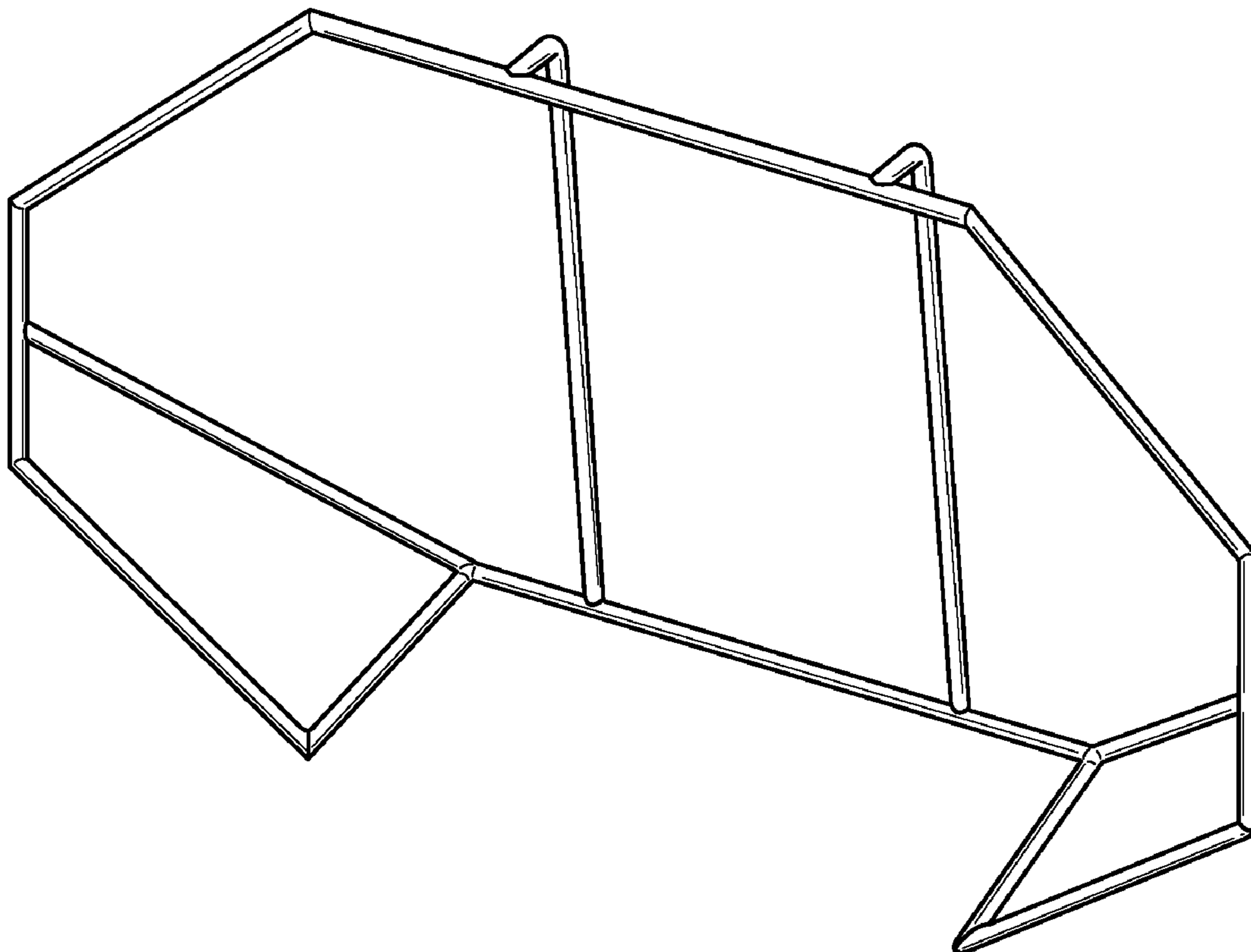
(57) **CLAIM**

I claim the ornamental design for a goal, as shown and described.

DESCRIPTION

FIG. 1 is a perspective view of a goal, showing my new design;
FIG. 2 is a front elevation view thereof;
FIG. 3 is a right side elevation view thereof;
FIG. 4 is a left side elevation view thereof;
FIG. 5 is a top plan view thereof;
FIG. 6 is a rear elevation view thereof; and,
FIG. 7 is a bottom plan view thereof.

1 Claim, 3 Drawing Sheets



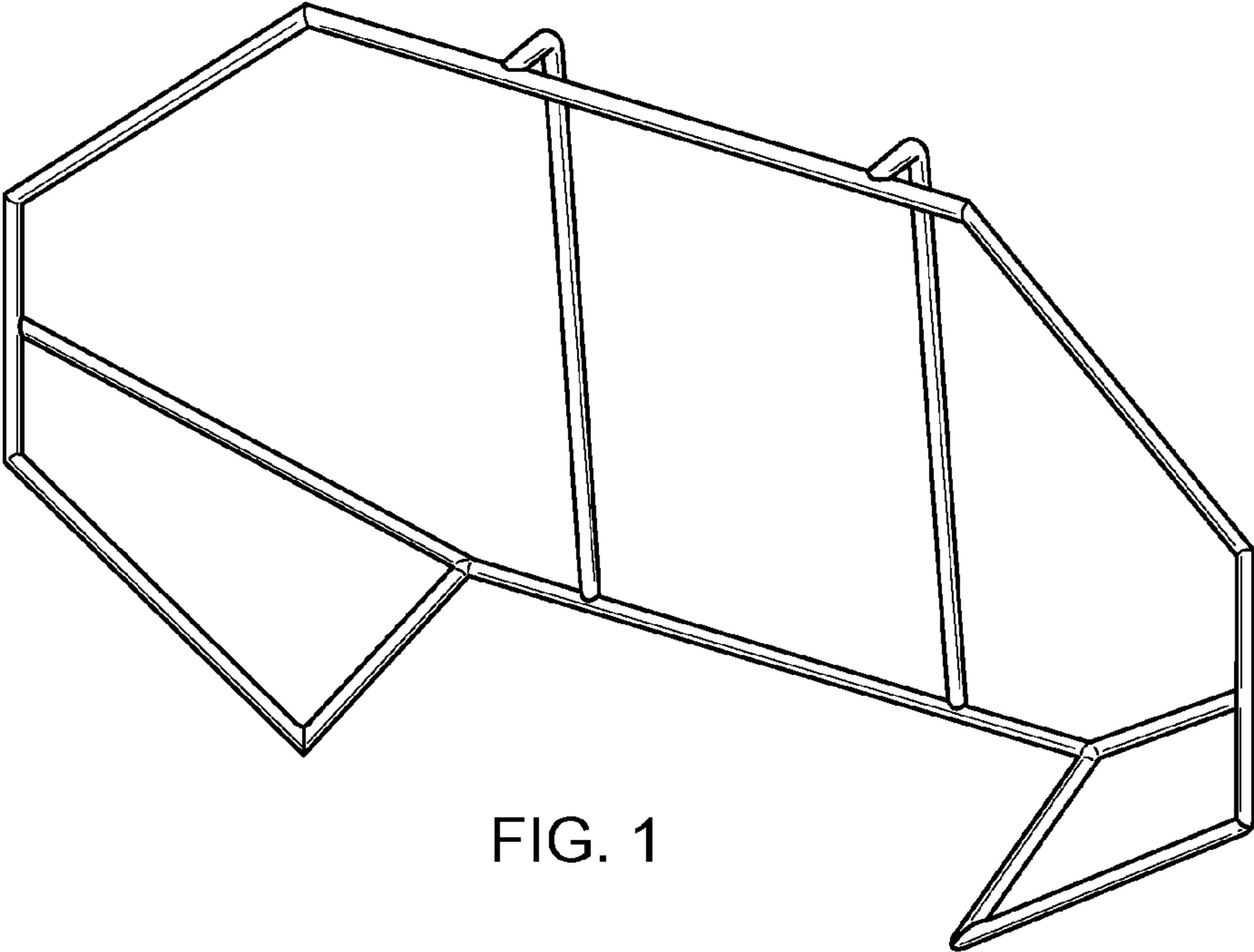


FIG. 1

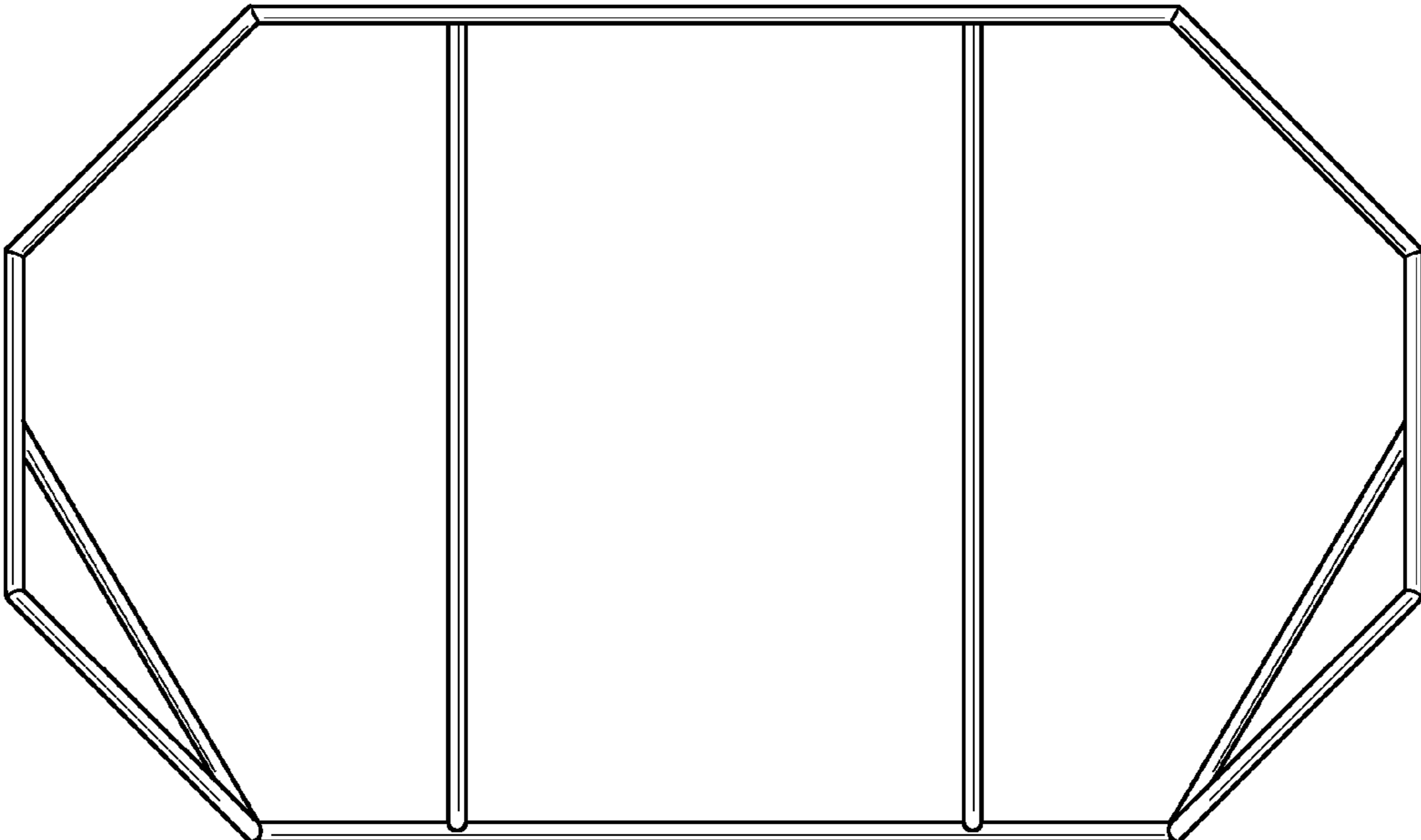


FIG. 2

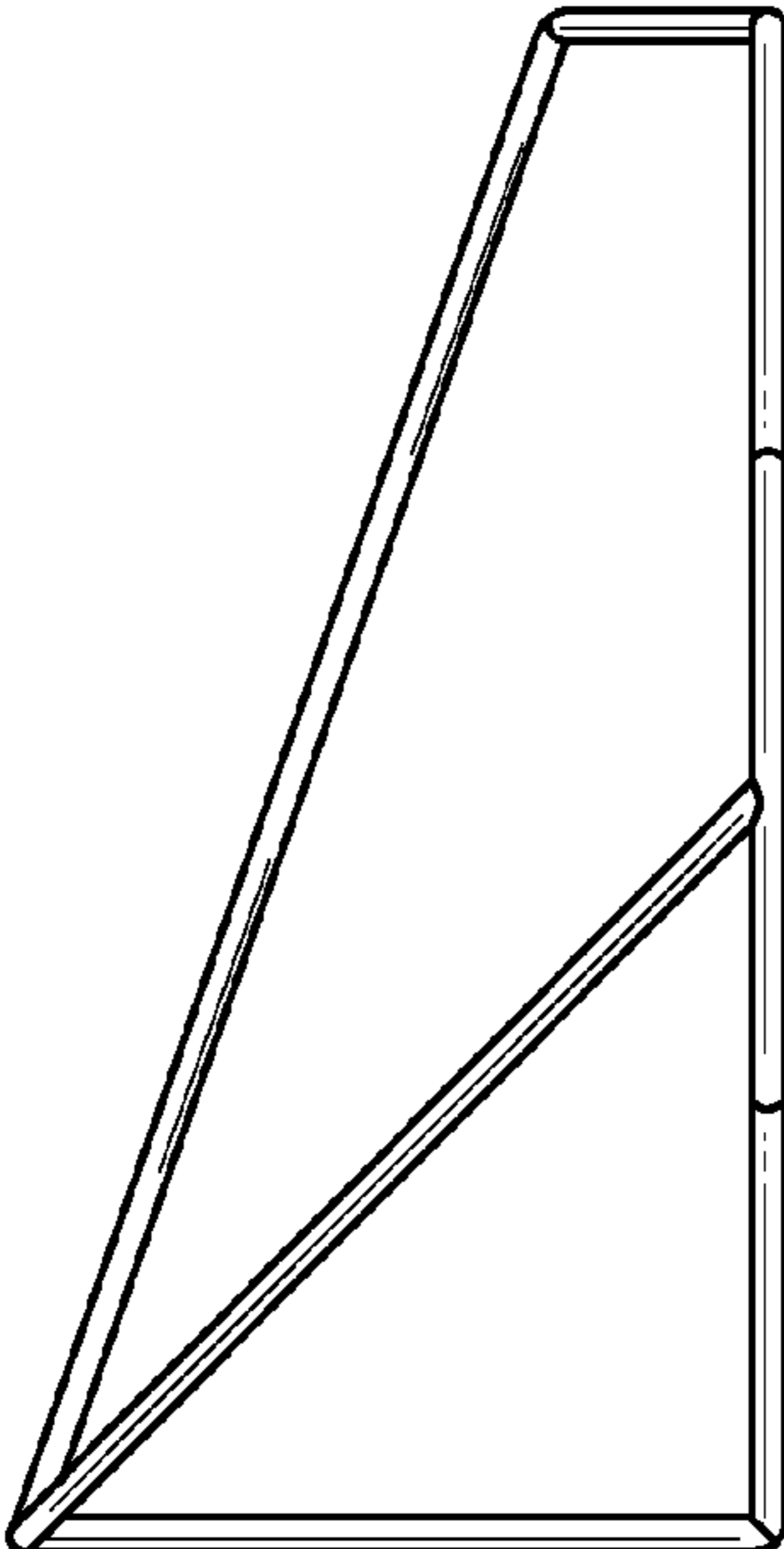


FIG. 3

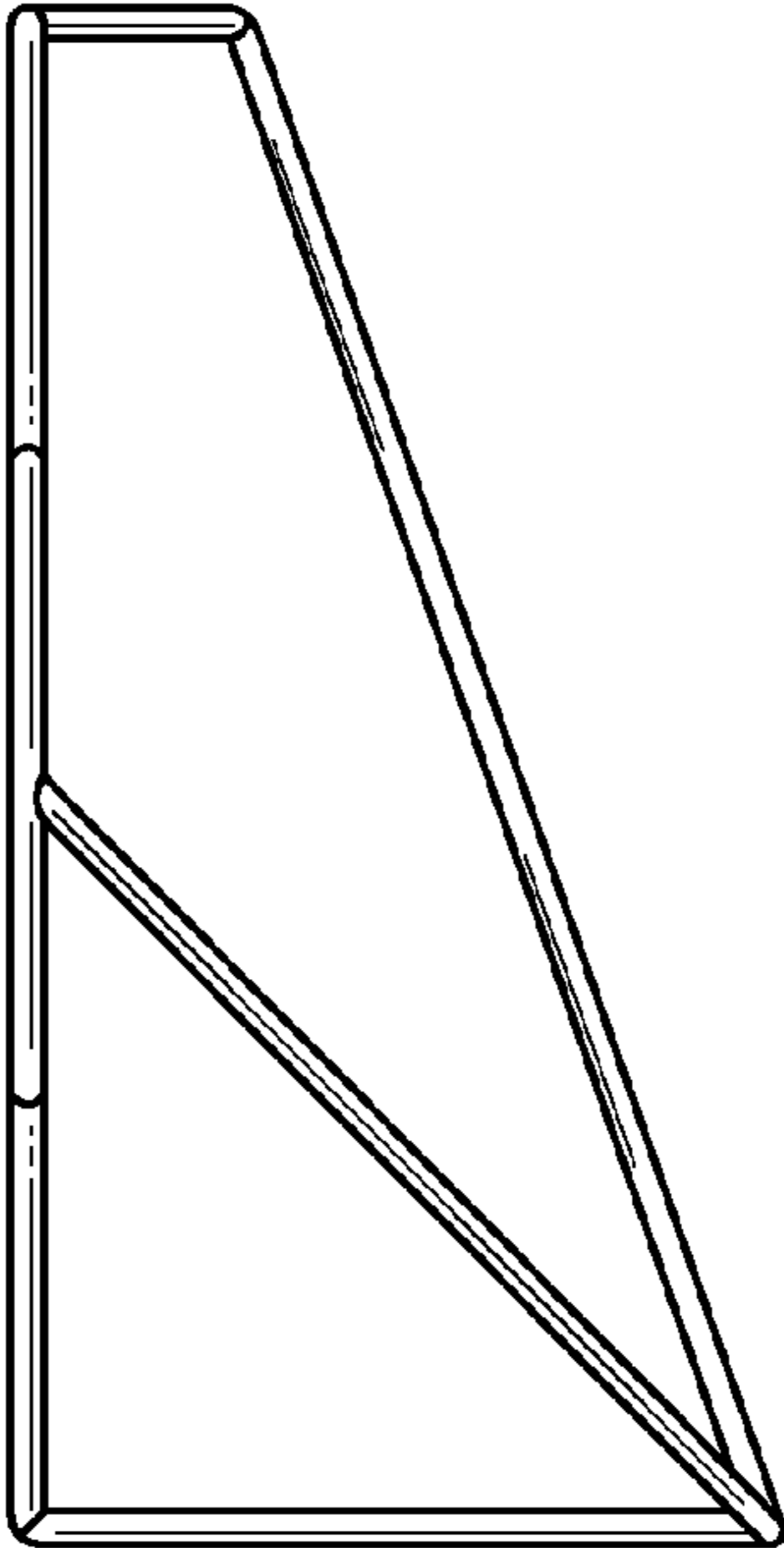


FIG. 4

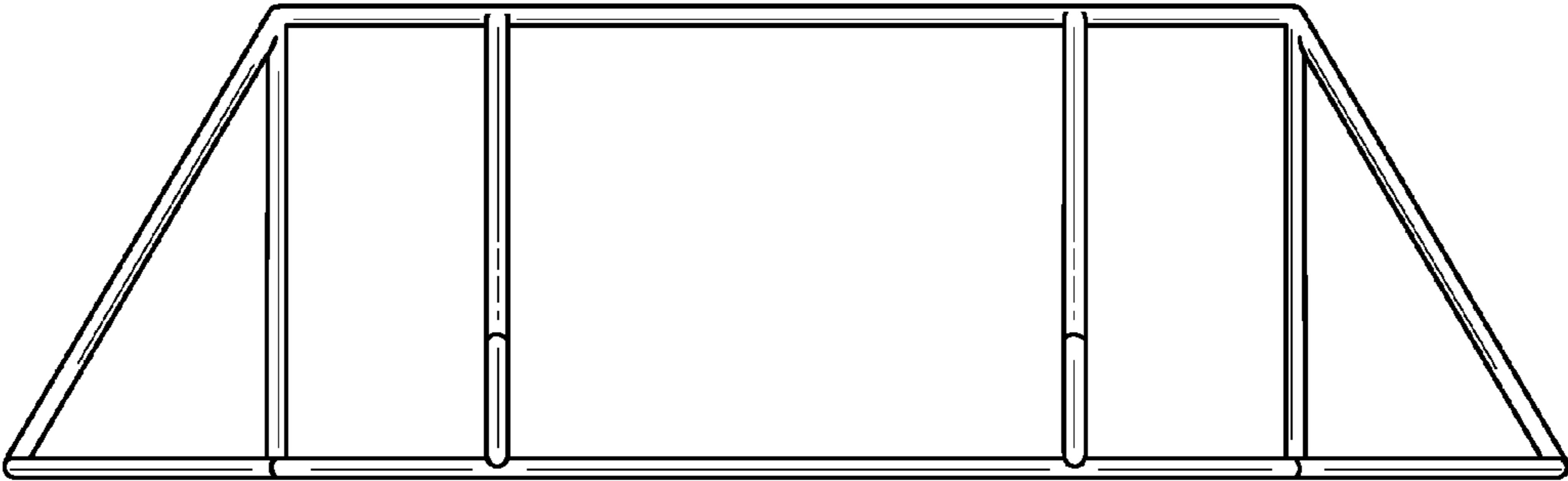


FIG. 5

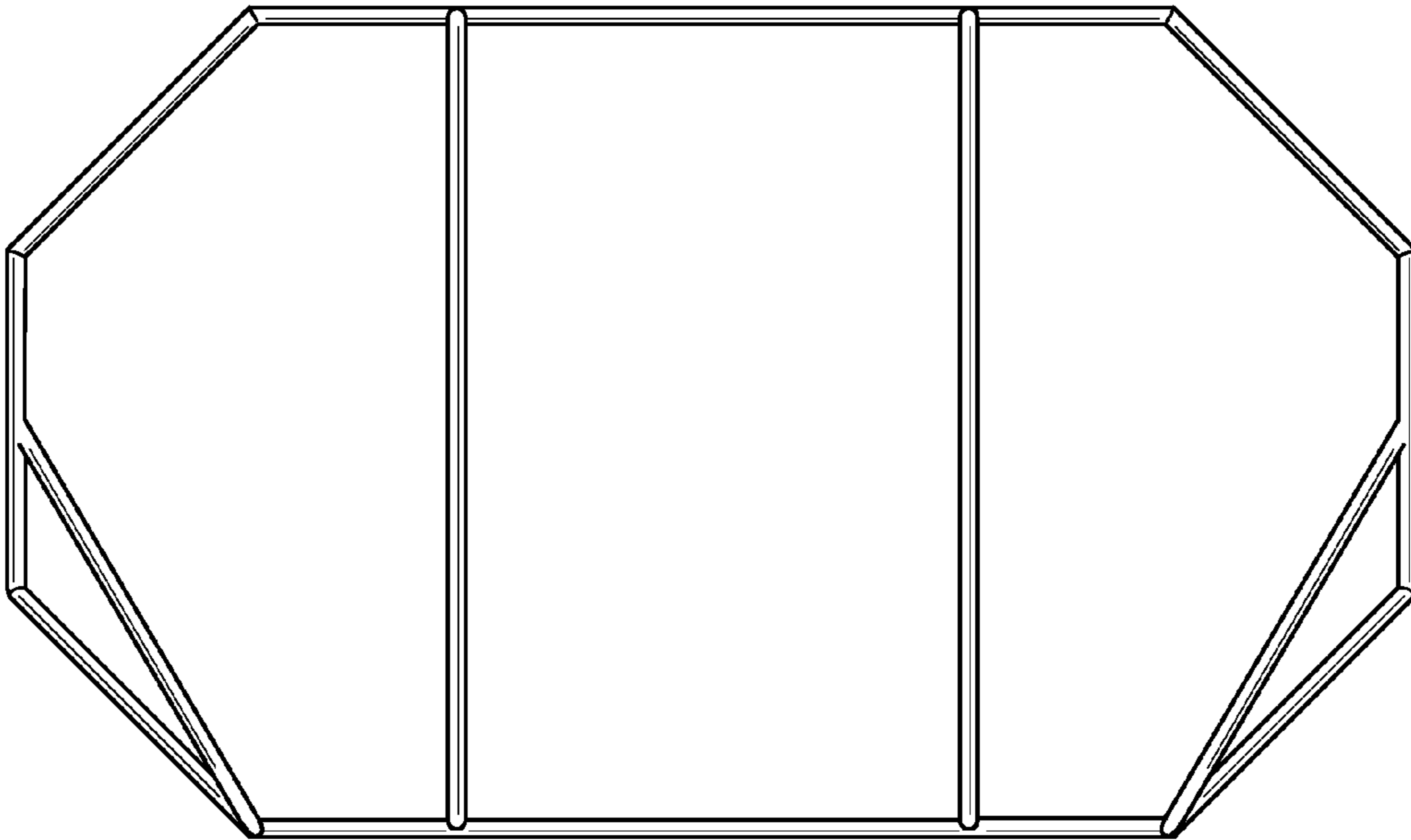


FIG. 6

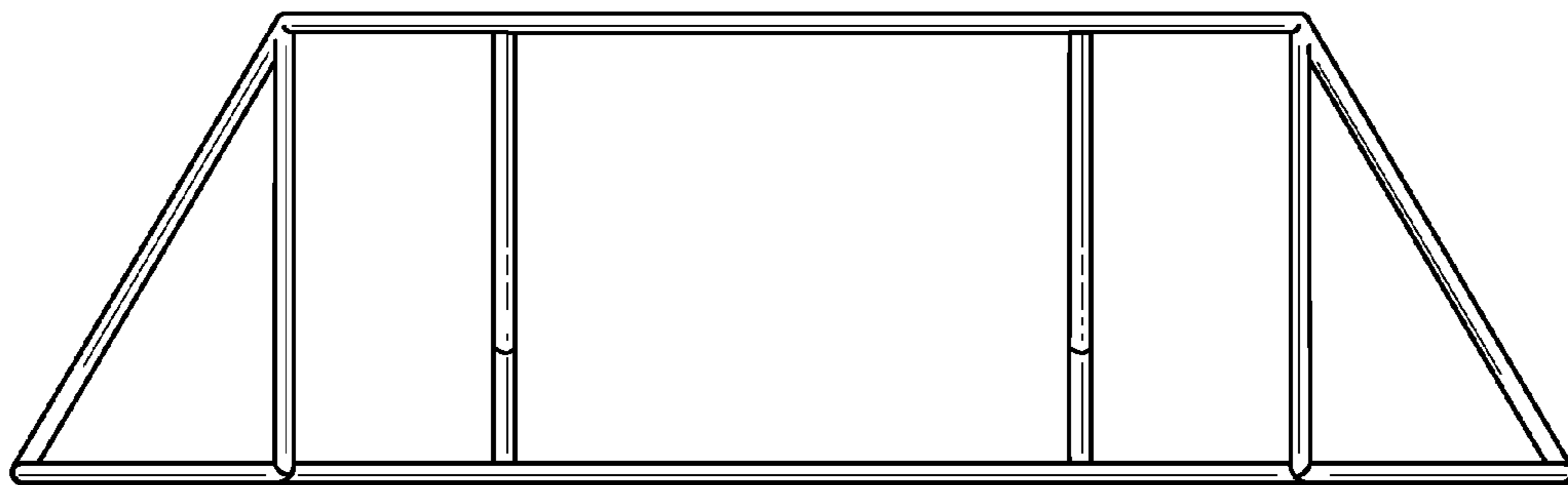


FIG. 7