



US00D674449S

(12) **United States Design Patent**
Cole et al.

(10) **Patent No.:** **US D674,449 S**

(45) **Date of Patent:** **** Jan. 15, 2013**

(54) **EXERCISE KIT**

(76) Inventors: **Mel H. Cole**, Las Vegas, NV (US);
Phillip P. Pineda, Las Vegas, NV (US)

(**) **Term:** **14 Years**

(21) **Appl. No.:** **29/402,513**

(22) **Filed:** **Sep. 23, 2011**

(51) **LOC (9) Cl.** **21-02**

(52) **U.S. Cl.** **D21/694; D21/662**

(58) **Field of Classification Search** D21/662,
D21/672, 673, 683, 684, 685, 692, 694; 482/92,
482/94, 96, 105, 110, 118, 120-126, 129-131,
482/139, 140, 143, 148

See application file for complete search history.

(56) **References Cited**

U.S. PATENT DOCUMENTS

4,340,218	A *	7/1982	Wilkinson	482/129
5,171,295	A *	12/1992	Schwalm, Jr.	482/131
5,234,394	A *	8/1993	Wilkinson	482/92
D343,881	S *	2/1994	Wilson	D21/662
5,545,113	A *	8/1996	Bobich	482/125
5,690,594	A *	11/1997	Mankovitz	482/121
D396,077	S *	7/1998	Heine	D21/662
5,807,218	A *	9/1998	Nagatomo	482/124
5,944,640	A *	8/1999	Larsson	482/96
D424,638	S *	5/2000	Urso	D21/662
6,117,056	A	9/2000	Cataldi, Jr. et al.		
6,159,133	A	12/2000	Shugg		

D518,535	S *	4/2006	Haskell	D21/662
7,137,935	B2	11/2006	Clarke et al.		
7,326,157	B2 *	2/2008	Wu	482/126
7,361,127	B2	4/2008	Tremayne		
D593,167	S *	5/2009	Vigilia	D21/662
8,162,809	B1 *	4/2012	Eastwood	482/123
2004/0053756	A1 *	3/2004	Tremayne	482/126
2005/0233875	A1 *	10/2005	Clarke et al.	482/123
2008/0039301	A1 *	2/2008	Halbridge	482/121
2009/0233773	A1 *	9/2009	Cardey	482/121
2011/0034307	A1 *	2/2011	Eddy	482/131

* cited by examiner

Primary Examiner — Susan E Krakower

(57) **CLAIM**

The ornamental design for an exercise kit, as shown and described.

DESCRIPTION

FIG. 1 is a top plan view of an exercise kit showing our new design;

FIG. 2 is a bottom plan view thereof;

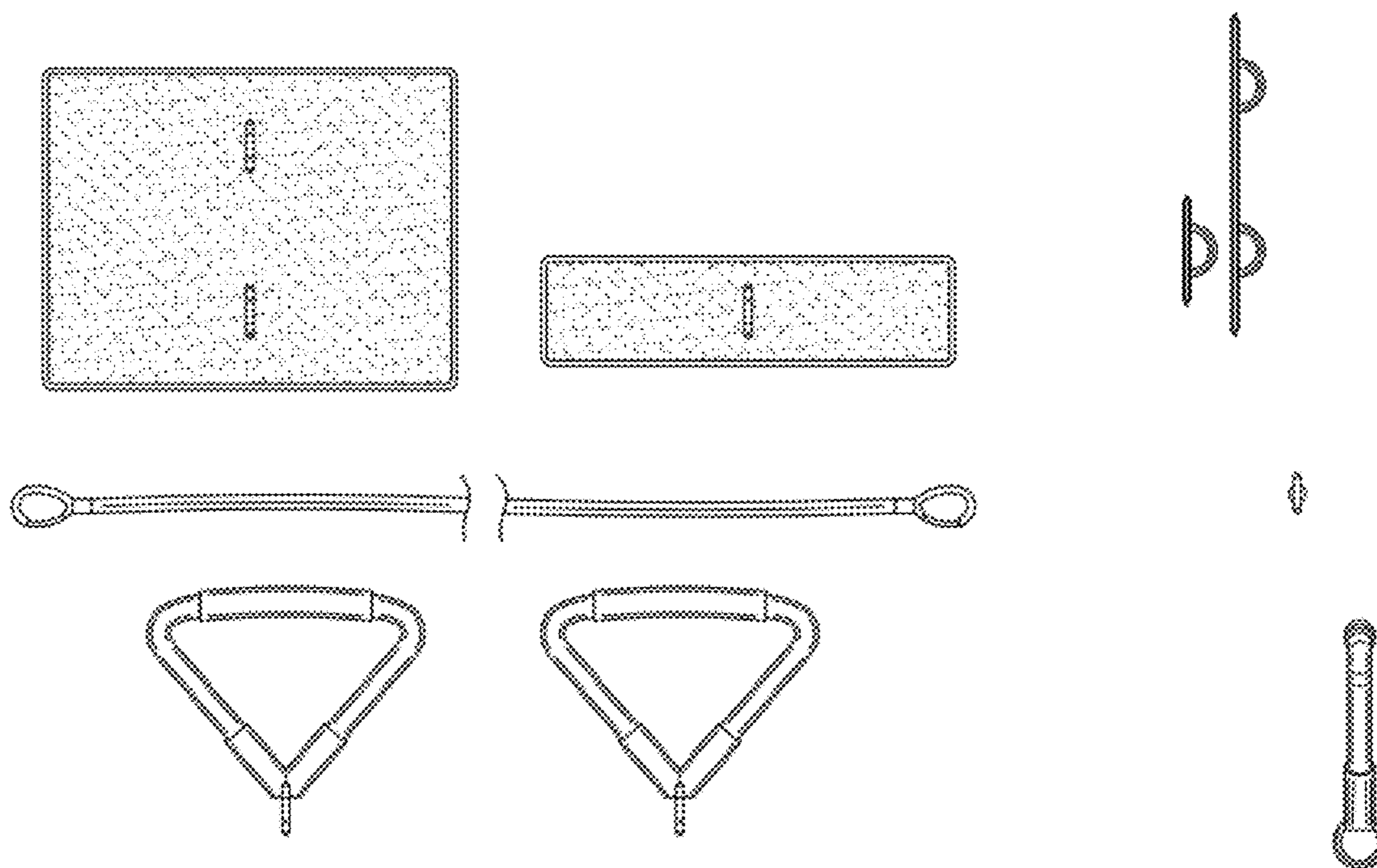
FIG. 3 is a right elevation view thereof, the opposite side being a mirror image of the shown;

FIG. 4 is a front elevation view thereof; and,

FIG. 5 is a rear elevation view thereof.

The broken lines in the drawings depict environmental subject matter only and form no part of the claimed design. The elastic tension strap is shown broken away to indicate no specific length.

1 Claim, 3 Drawing Sheets



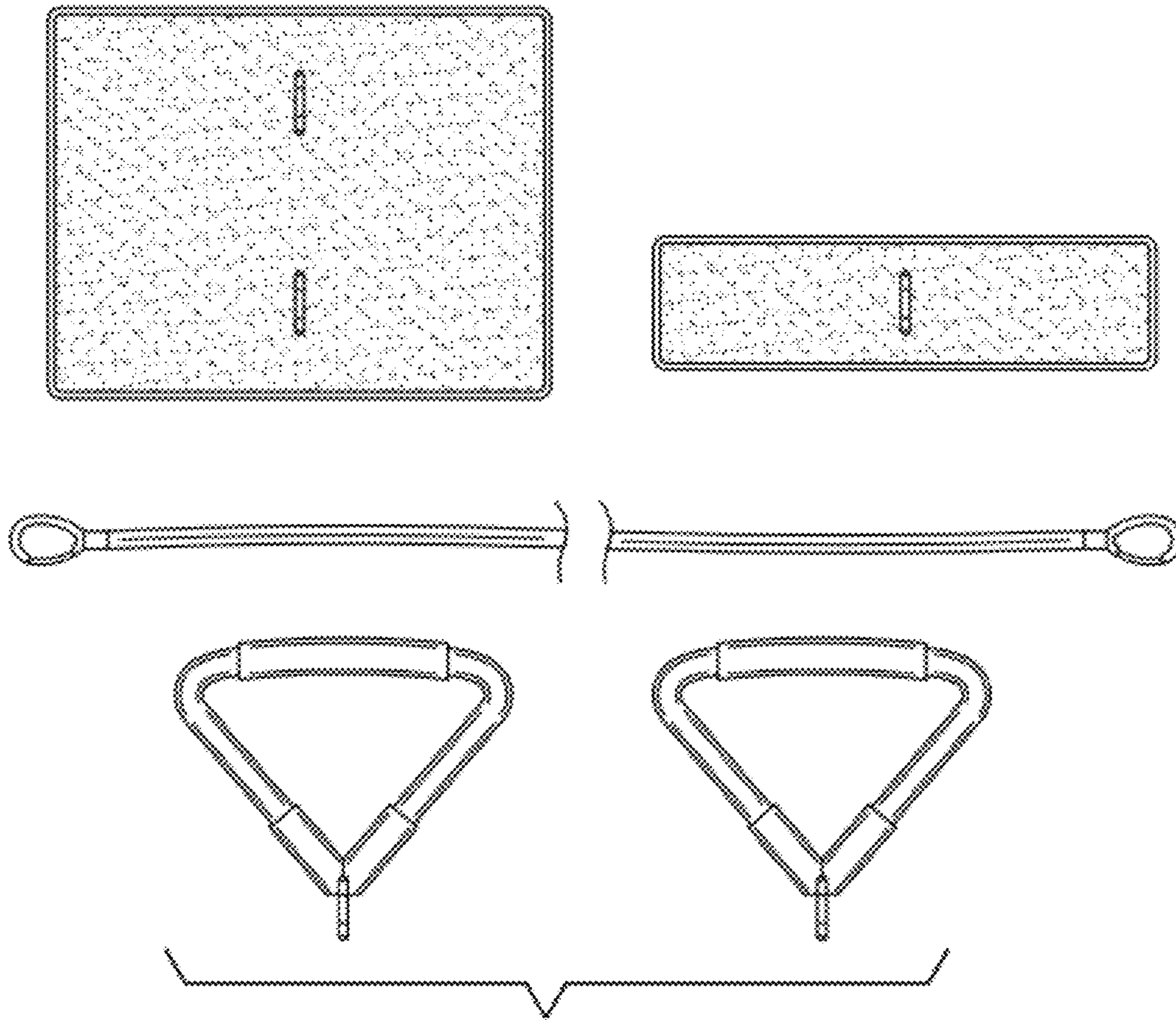
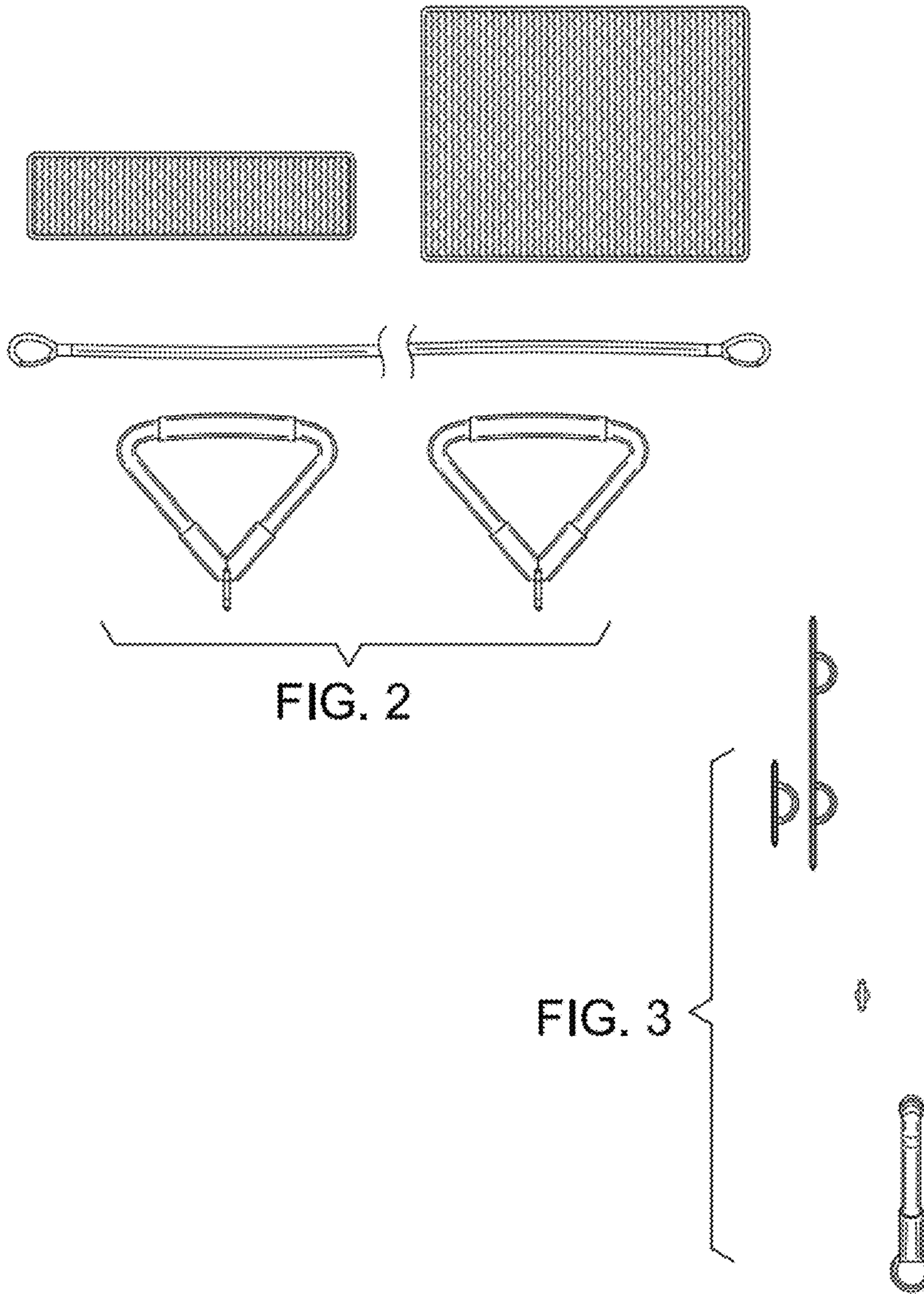


FIG. 1



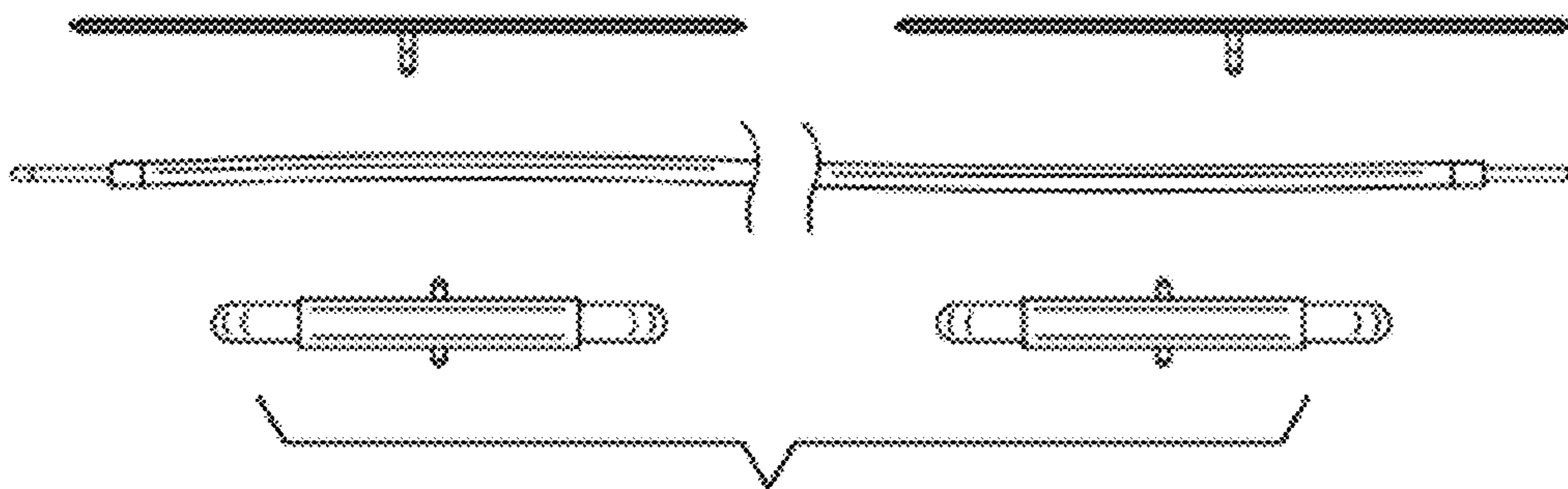


FIG. 4

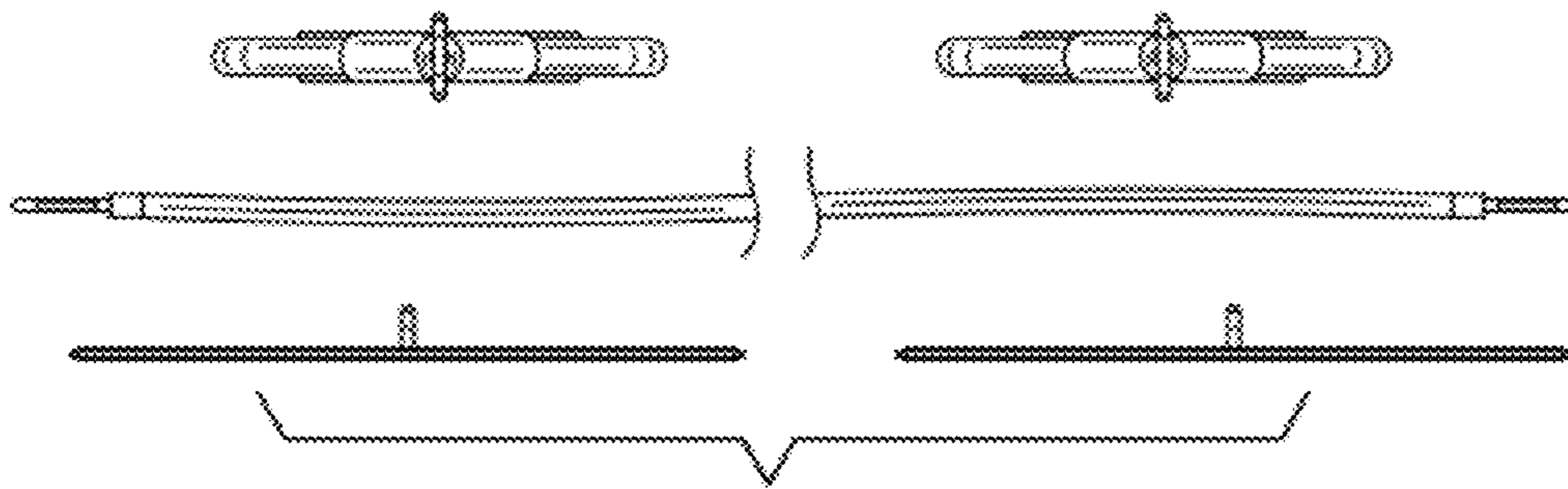


FIG. 5