



US00D674446S

(12) **United States Design Patent**
Bengyak

(10) **Patent No.:** **US D674,446 S**
(45) **Date of Patent:** **** Jan. 15, 2013**

(54) **HAND SIGN**

(76) Inventor: **Christopher Edward Bengyak**, Vero Beach, FL (US)

(**) Term: **14 Years**

(21) Appl. No.: **29/395,927**

(22) Filed: **Apr. 23, 2012**

(51) **LOC (9) Cl.** **20-03**

(52) **U.S. Cl.** **D20/33**

(58) **Field of Classification Search** D20/10,
D20/19, 29-33, 35, 36, 38, 99; 40/446, 538,
40/541, 584, 586; D2/615; D11/131, 151;
D21/400; D25/1

See application file for complete search history.

(56) **References Cited**

U.S. PATENT DOCUMENTS

D26,080	S	*	9/1896	Wood	D20/33
D144,710	S	*	5/1946	Gosling	D20/33
D360,653	S	*	7/1995	McKee	D20/33
D414,819	S	*	10/1999	Pool et al.	D21/400
D415,537	S	*	10/1999	Pool et al.	D21/400
D416,055	S	*	11/1999	Pool et al.	D21/400
D422,319	S	*	4/2000	Pool et al.	D21/400
D429,285	S	*	8/2000	Schini	D20/32
D664,208	S	*	7/2012	Bengyak	D20/29

OTHER PUBLICATIONS

The Maryland Terrapins' 2008 NCAA Men's Soccer Championship Trophy—DC Sports Box http://dcsportsbox.com/main/index.php?option=com_content&task=view&id=1301&Itemid=54 © 2012 DC Sports Box http://dcsportsbox.com/main/index.php?option=com_content&task=view&id=1301&Itemid=54.*

* cited by examiner

Primary Examiner — Mary Ann Calabrese

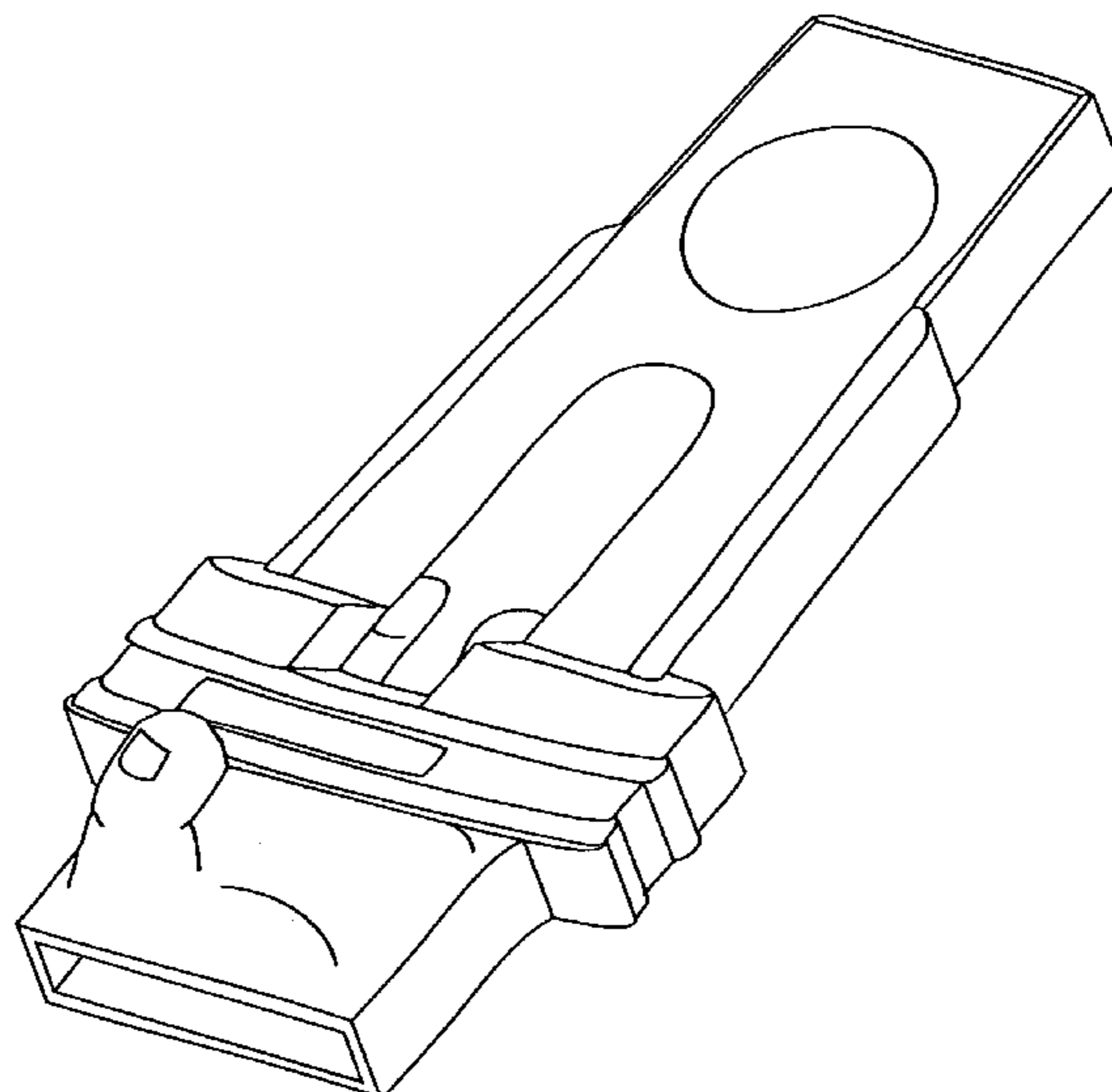
(57) **CLAIM**

The ornamental design for a hand sign, as shown and described.

DESCRIPTION

FIG. 1 is a right-side elevational view of a first embodiment of a left-hand hand sign according to the invention; FIG. 2 is a left-side elevational view of the left-hand hand sign of FIG. 1; FIG. 3 is an enlarged rear elevational view of the left-hand hand sign of FIG. 1; FIG. 4 is an enlarged front elevational view of the left-hand hand sign of FIG. 1; FIG. 5 is a reduced scale top plan view of the left-hand hand sign of FIG. 1; FIG. 6 is a reduced scale bottom plan view of the left-hand hand sign of FIG. 1; FIG. 7 is a perspective view from above the rear of the right side of the left-hand hand sign of FIG. 1; FIG. 8 is a perspective view from below the front of the right side of the left-hand hand sign of FIG. 1; FIG. 9 is a left-side elevational view of a second embodiment of a right-hand hand sign according to the invention; FIG. 10 is a right-side elevational view of the right-hand hand sign of FIG. 9; FIG. 11 is an enlarged front elevational view of the right-hand hand sign of FIG. 9; FIG. 12 is an enlarged rear elevational view of the right-hand hand sign of FIG. 9; FIG. 13 is a reduced scale top plan view of the right-hand hand sign of FIG. 9; FIG. 14 is a reduced scale bottom plan view of the right-hand hand sign of FIG. 9; FIG. 15 is a perspective view from above the rear of the left side of the right-hand hand sign of FIG. 9; and, FIG. 16 is a perspective view from below the front of the left side of the right-hand hand sign of FIG. 9.

1 Claim, 12 Drawing Sheets



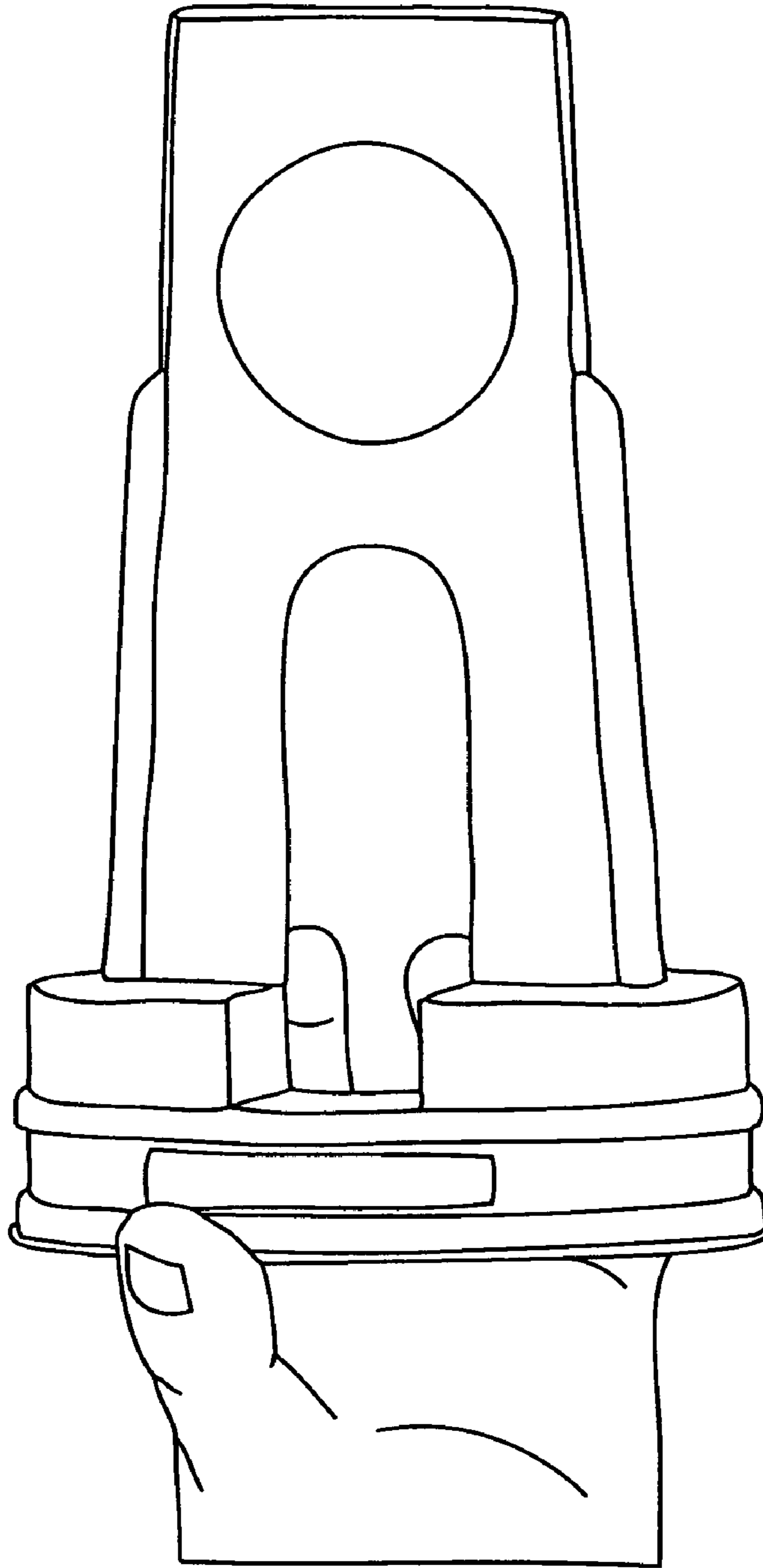


FIG. 1

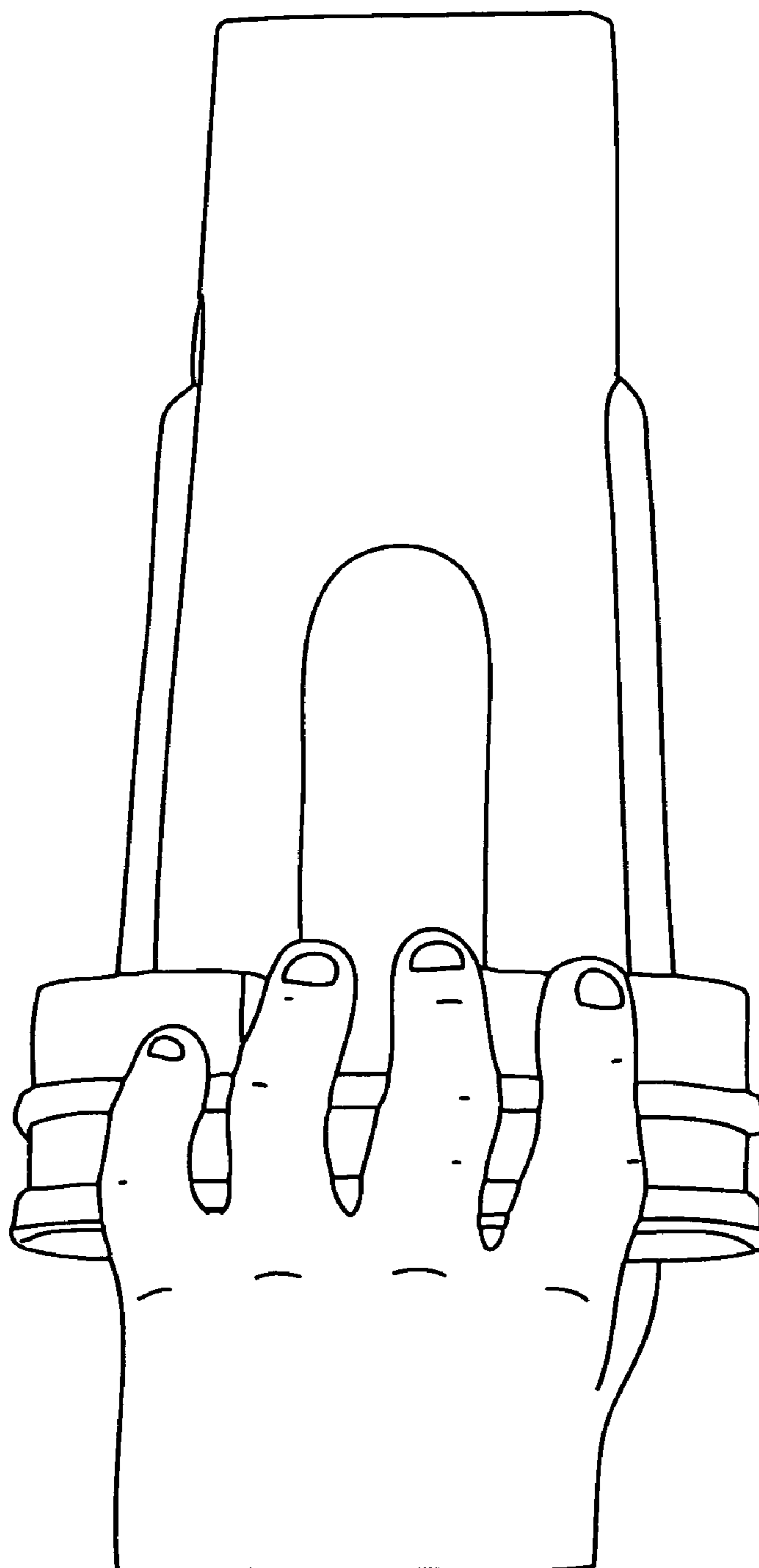


FIG. 2

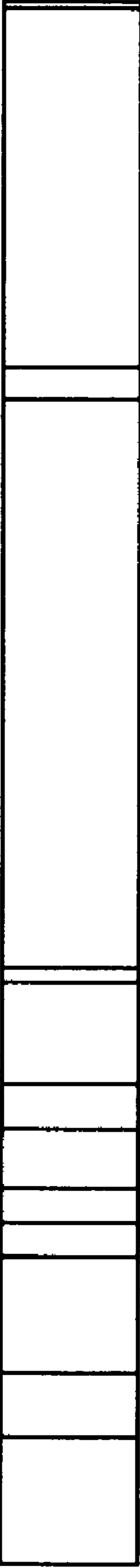


FIG. 3



FIG. 4



FIG. 5

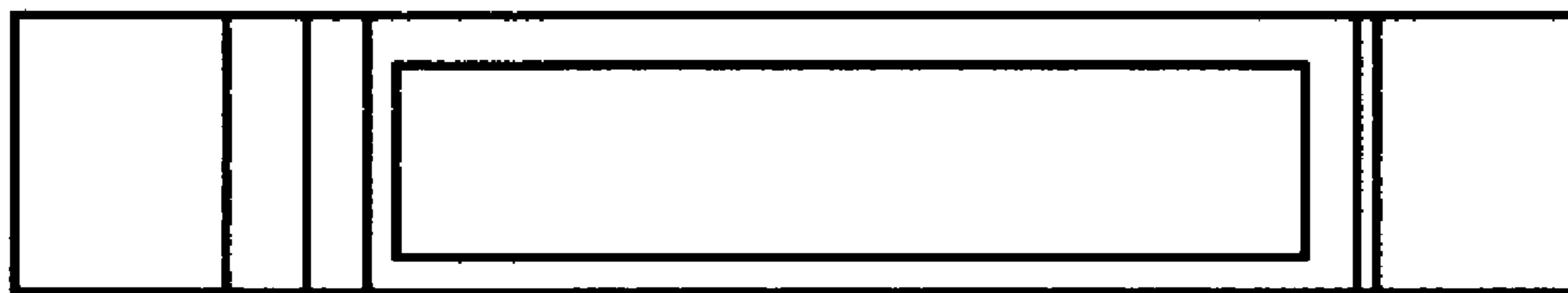


FIG. 6

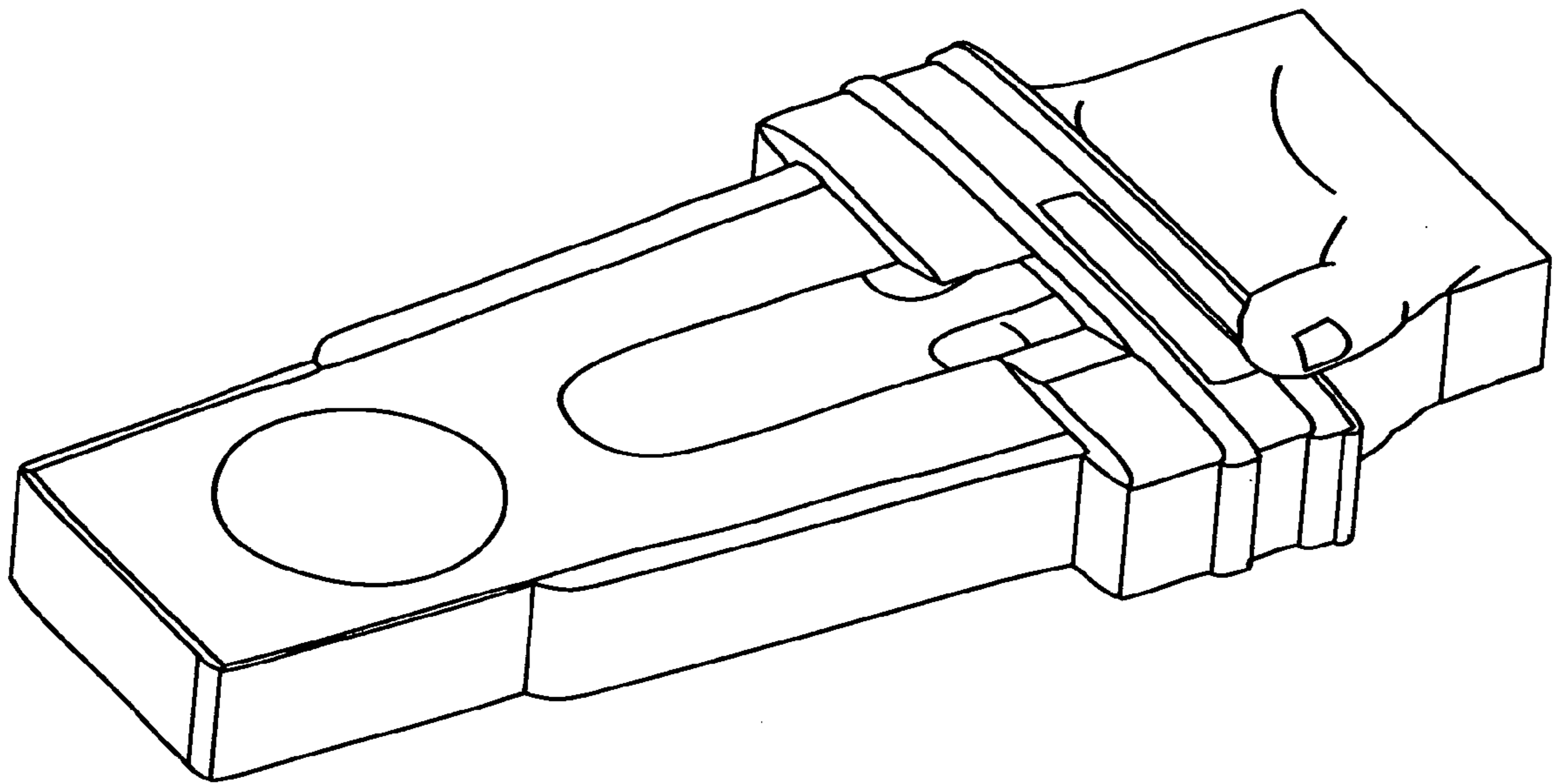


FIG. 7

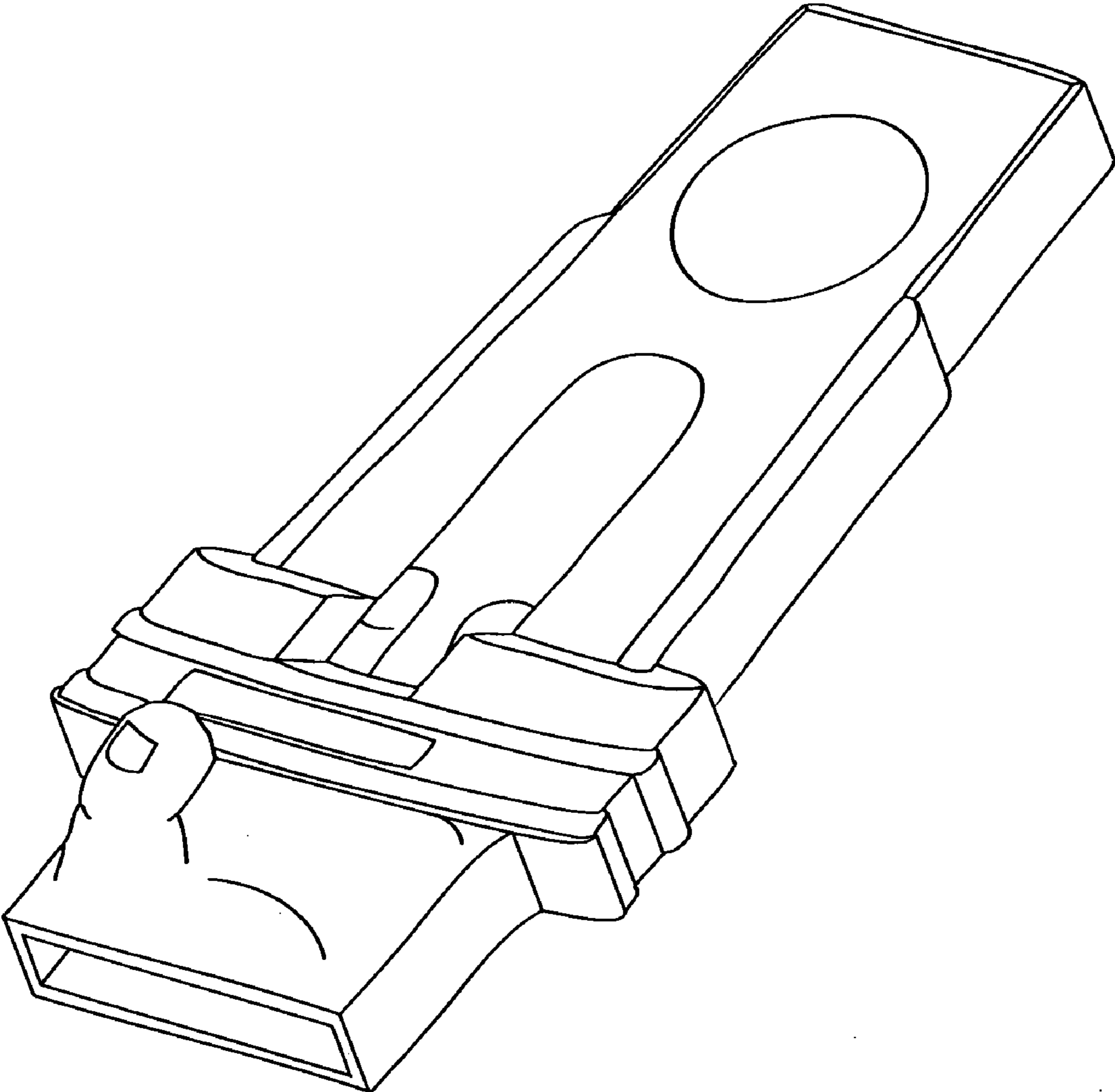


FIG. 8

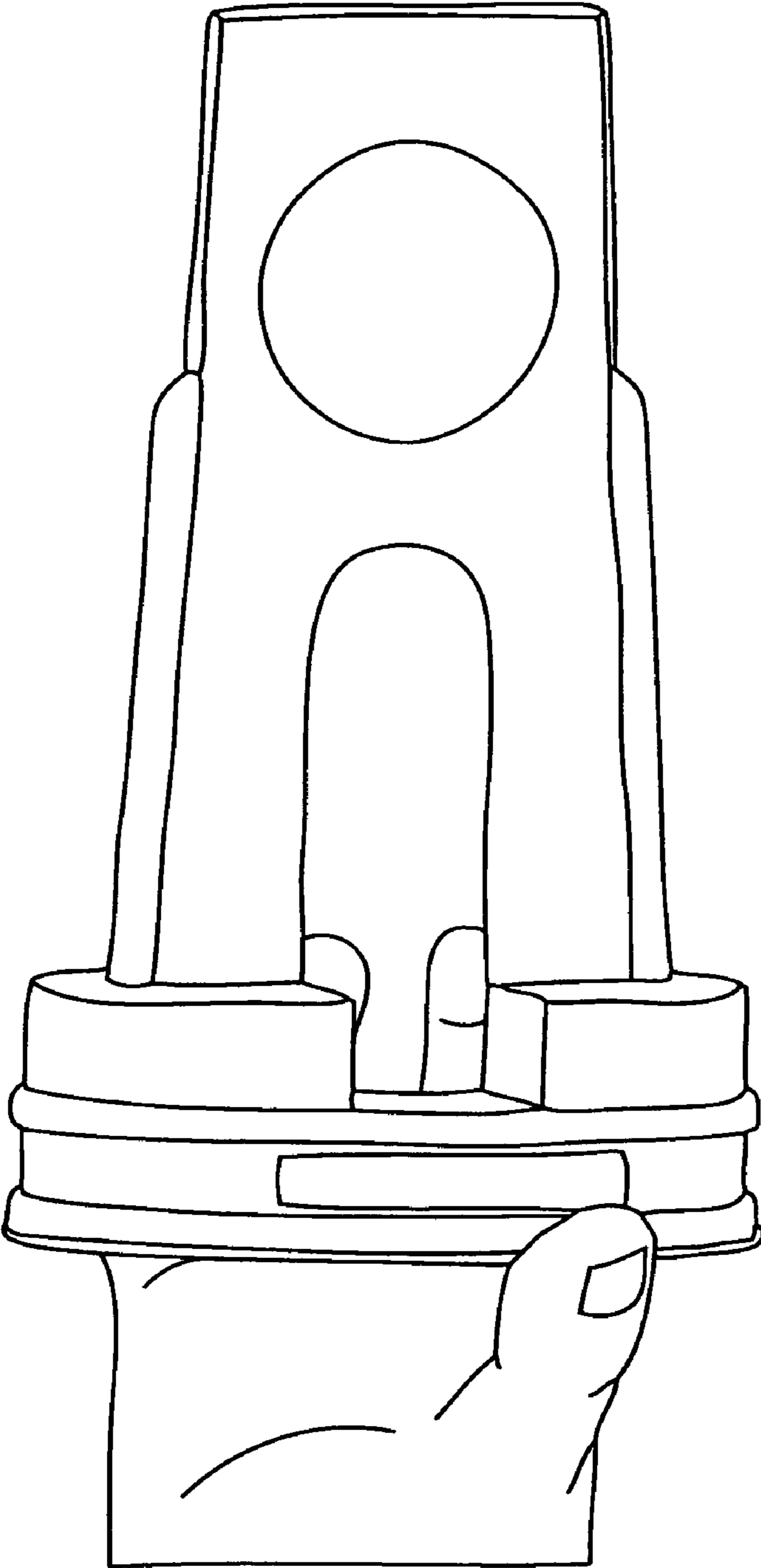


FIG. 9

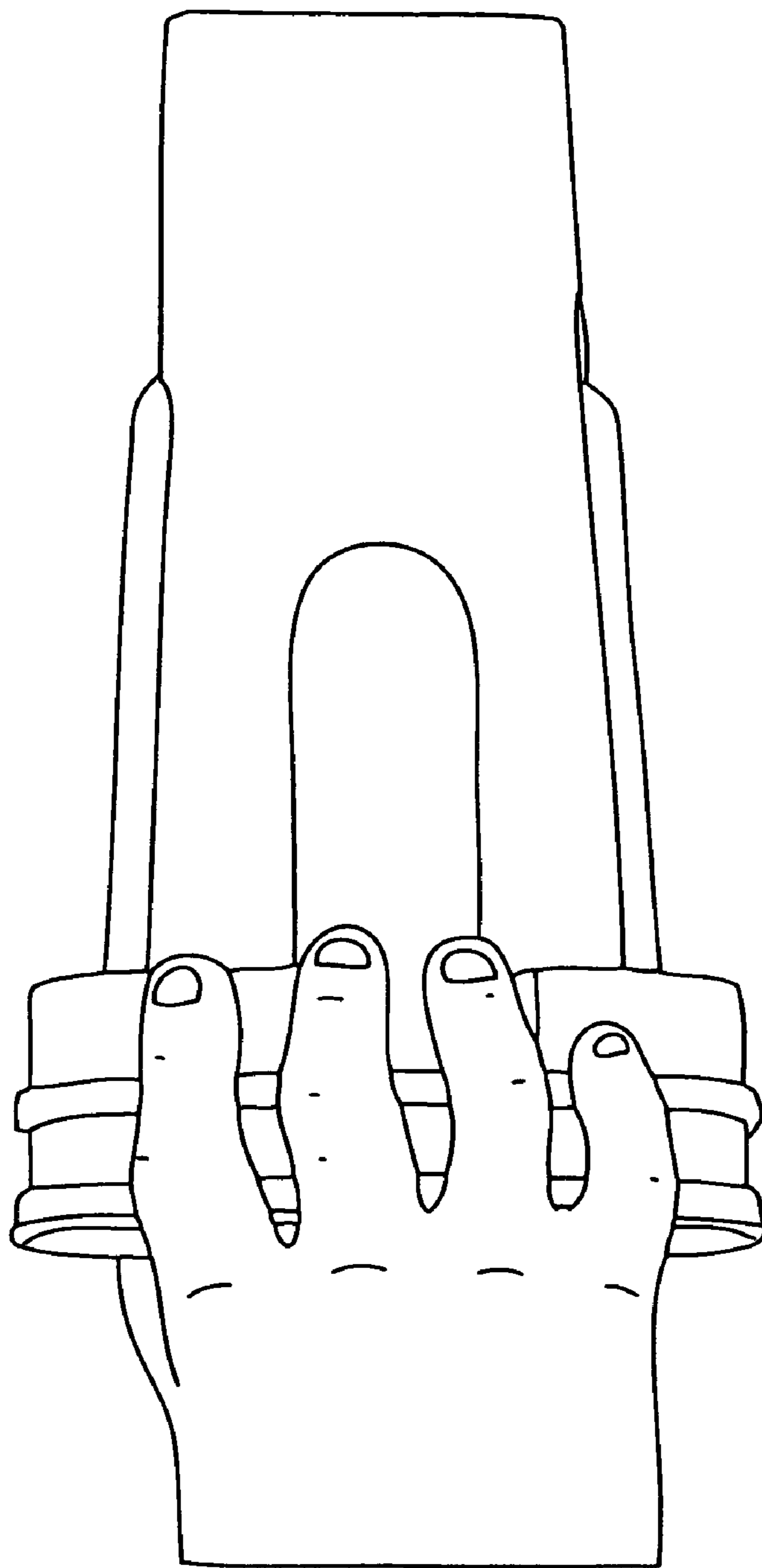


FIG. 10

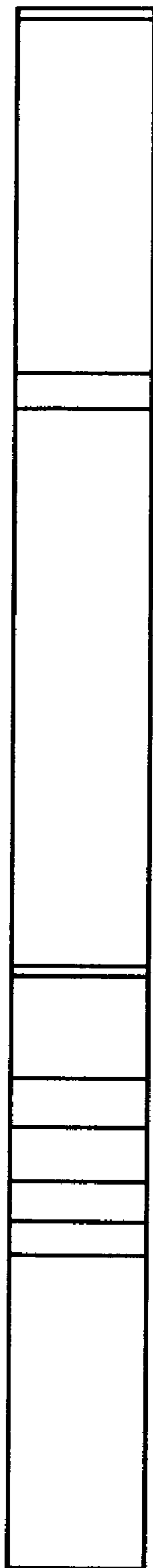


FIG. 11

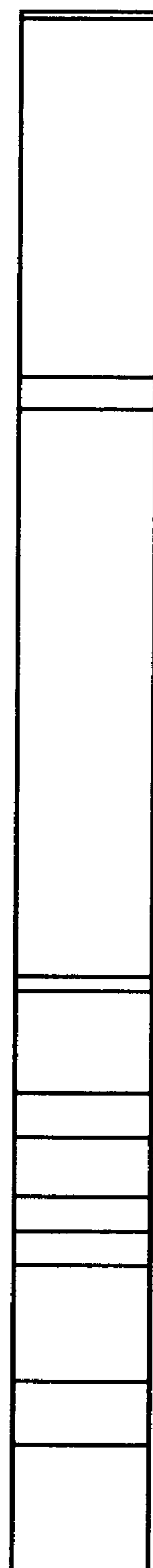


FIG. 12



FIG. 13

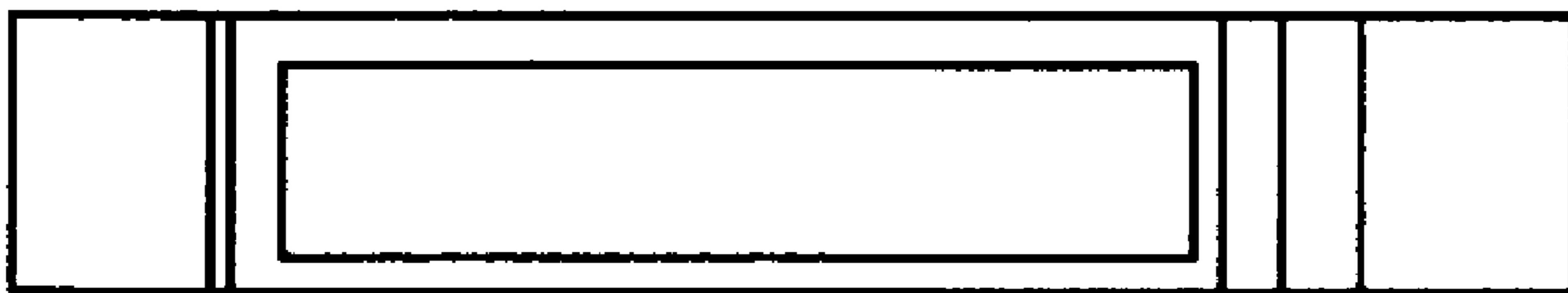


FIG. 14

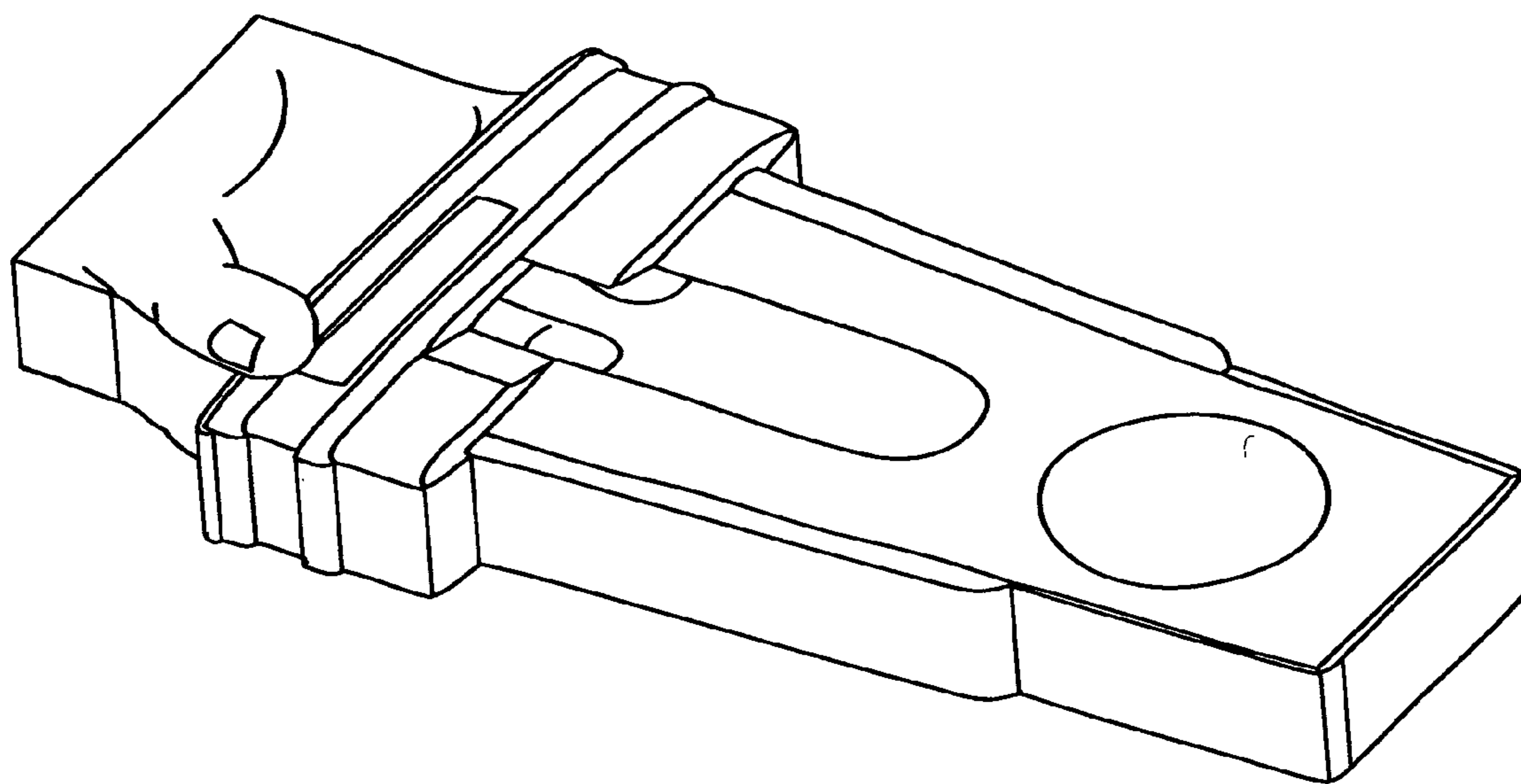


FIG. 15

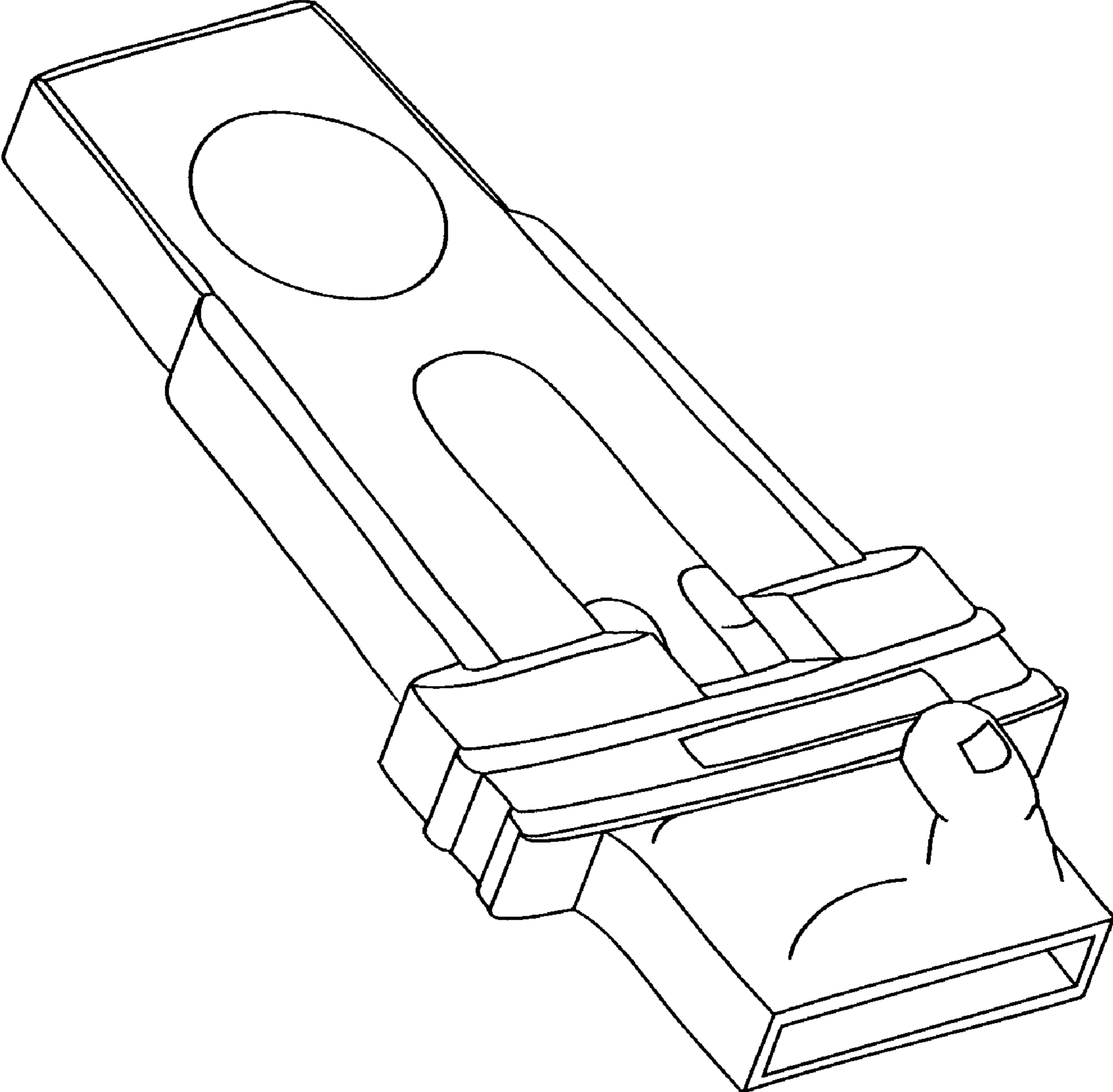


FIG. 16