



US00D674445S

(12) **United States Design Patent**  
**Bengyak**

(10) **Patent No.:** **US D674,445 S**  
(45) **Date of Patent:** **\*\* Jan. 15, 2013**

(54) **HAND SIGN**

(76) Inventor: **Christopher Edward Bengyak**, Vero Beach, FL (US)

(\*\*) Term: **14 Years**

(21) Appl. No.: **29/395,736**

(22) Filed: **Mar. 20, 2012**

(51) **LOC (9) Cl.** ..... **20-03**

(52) **U.S. Cl.** ..... **D20/33**

(58) **Field of Classification Search** ..... D20/10,  
D20/19, 29-33, 35, 36, 99; 40/446, 538,  
40/541, 584, 586; D2/615; D21/400; D11/131,  
D11/151

See application file for complete search history.

(56) **References Cited**

**U.S. PATENT DOCUMENTS**

D144,710 S *	5/1946	Gosling	.....	D20/33
D360,653 S *	7/1995	McKee	.....	D20/33
D414,819 S *	10/1999	Pool et al.	.....	D21/400
D415,537 S *	10/1999	Pool et al.	.....	D21/400
D416,055 S *	11/1999	Pool et al.	.....	D21/400
D422,319 S *	4/2000	Pool et al.	.....	D21/400
D429,285 S *	8/2000	Schini	.....	D20/32
D555,205 S *	11/2007	Strong	.....	D20/10
D664,208 S *	7/2012	Bengyak	.....	D20/29

**OTHER PUBLICATIONS**

Commissioners Trophy (MLB)—Wikipedia [http://en.wikipedia.org/wiki/Commissioner's\\_Trophy\\_\(MLB\)](http://en.wikipedia.org/wiki/Commissioner's_Trophy_(MLB)) Pulled from the web on Aug. 20, 2012.\*

World Series Alternate Logo (2003-2004)—Chris Creamer's sportslogos.net © 1997-2012 Chris Creamer Properties, Inc. <http://www.sportslogos.net/logo.php?id=1947> Pulled from the web on Aug. 20, 2012.\*

\* cited by examiner

*Primary Examiner* — Mary Ann Calabrese

(57) **CLAIM**

The ornamental design for a hand sign, as shown and described.

**DESCRIPTION**

FIG. 1 is a right-side elevational view of a first embodiment of a left-hand hand sign according to the invention;

FIG. 2 is a left-side elevational view of the left-hand hand sign of FIG. 1;

FIG. 3 is a reduced scale rear elevational view of the left-hand hand sign of FIG. 1;

FIG. 4 is a reduced scale front elevational view of the left-hand hand sign of FIG. 1;

FIG. 5 is a reduced scale top plan view of the left-hand hand sign of FIG. 1;

FIG. 6 is a reduced scale bottom plan view of the left-hand hand sign of FIG. 1;

FIG. 7 is a perspective view from below the rear of the left side of the left-hand hand sign of FIG. 2;

FIG. 8 is a perspective view from above the front of the left side of the left-hand hand sign of FIG. 2;

FIG. 9 is a left-side elevational view of a second embodiment of a right-hand hand sign according to the invention;

FIG. 10 is a right-side elevational view of the right-hand hand sign of FIG. 9;

FIG. 11 is a reduced scale front elevational view of the right-hand hand sign of FIG. 9;

FIG. 12 is a reduced scale rear elevational view of the right-hand hand sign of FIG. 9;

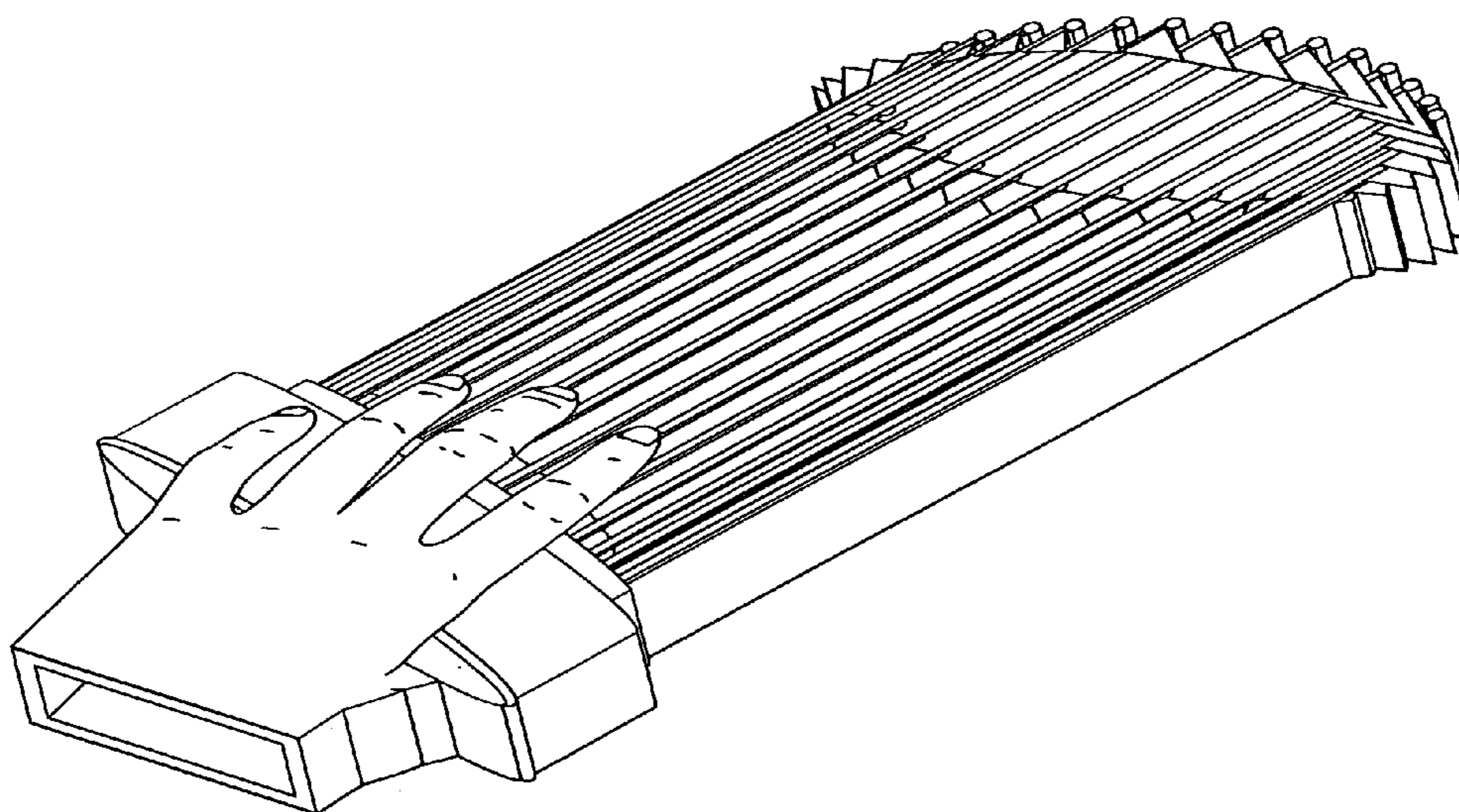
FIG. 13 is a reduced scale top plan view of the right-hand hand sign of FIG. 9;

FIG. 14 is a reduced scale bottom plan view of the right-hand hand sign of FIG. 9;

FIG. 15 is a perspective view from below the rear of the right side of the right-hand hand sign of FIG. 10; and,

FIG. 16 is a perspective view from above the front of the right side of the right-hand hand sign of FIG. 10.

**1 Claim, 12 Drawing Sheets**



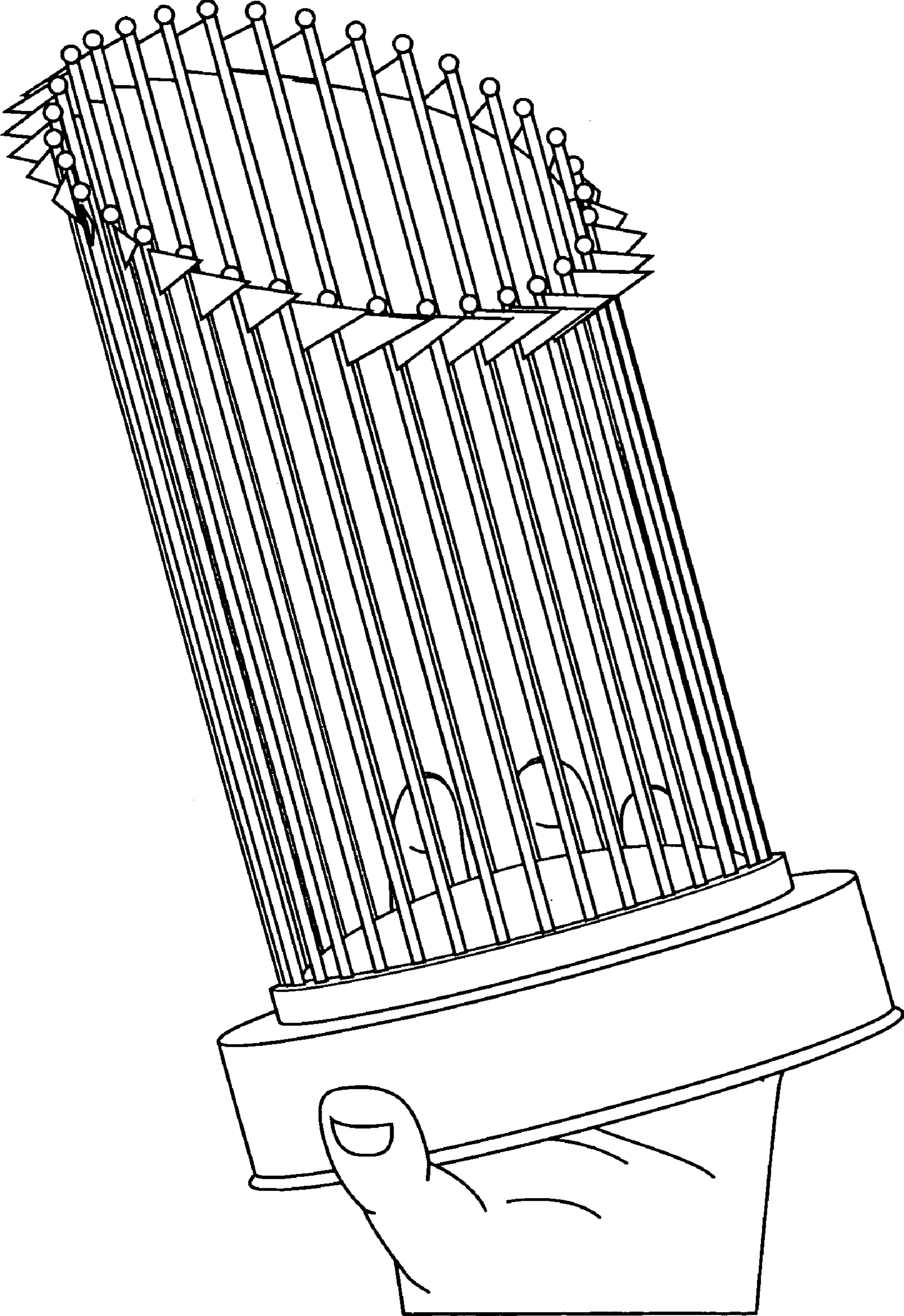


FIG. 1

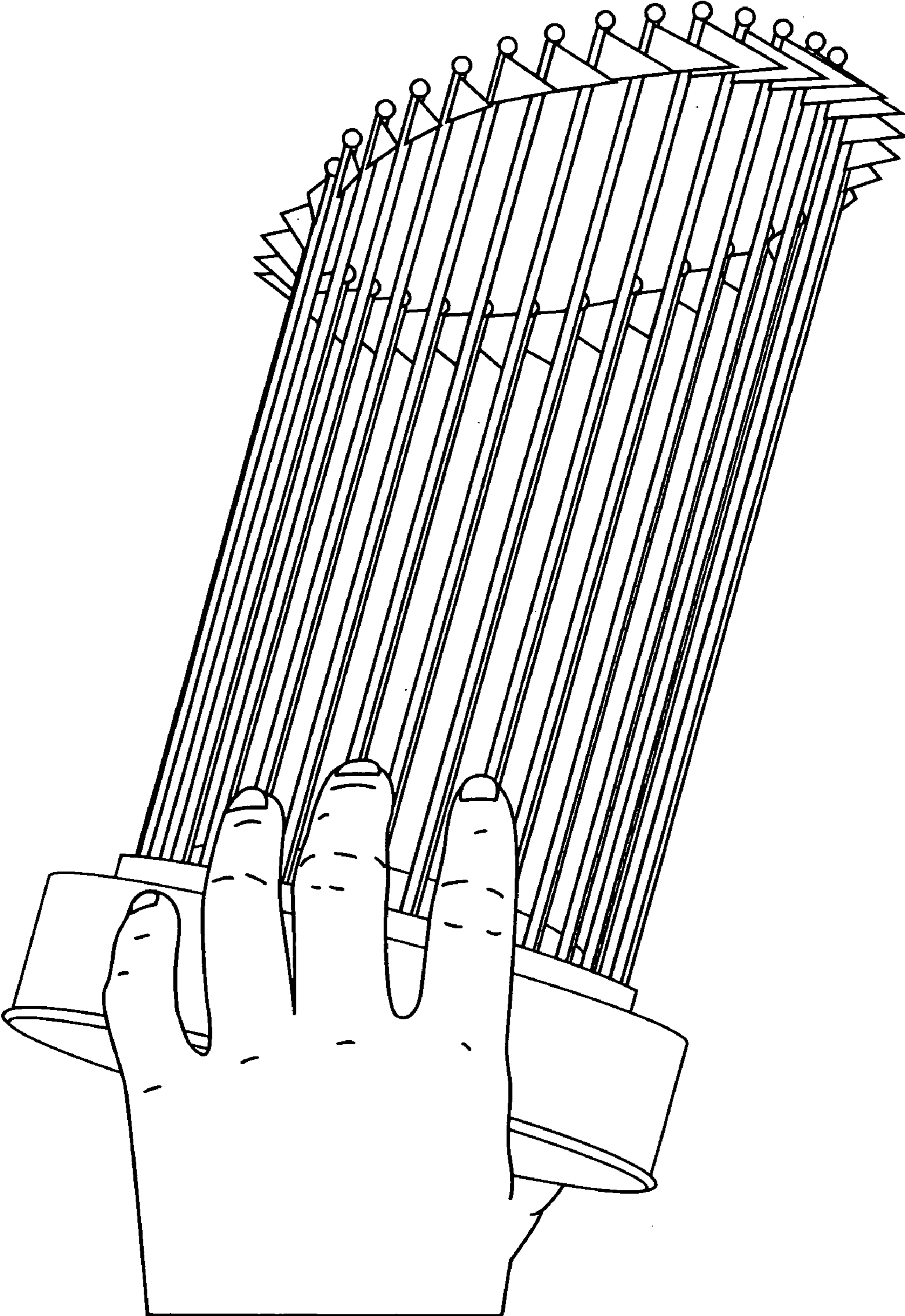


FIG. 2

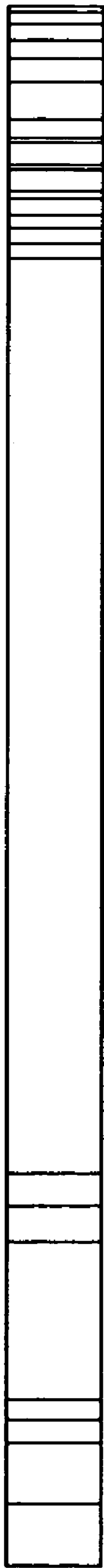


FIG. 3



FIG. 4

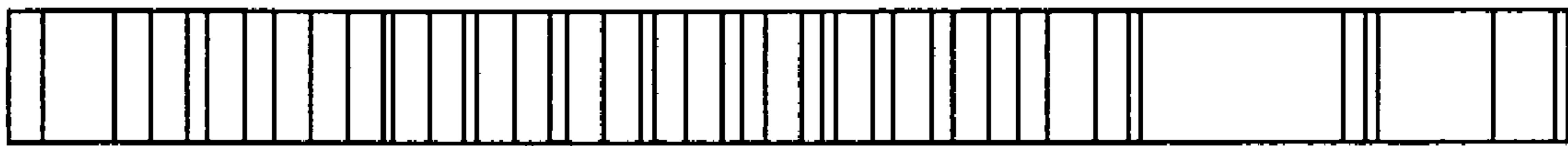


FIG. 5

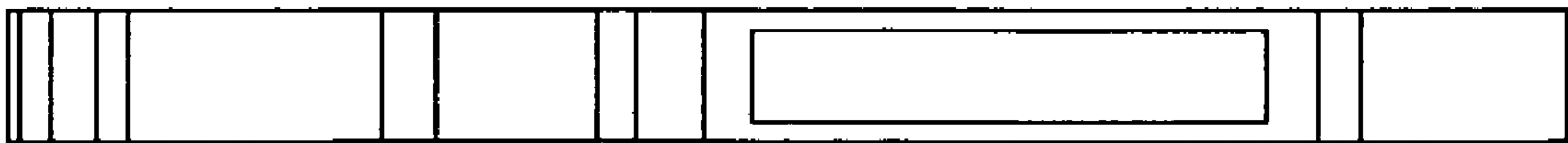


FIG. 6

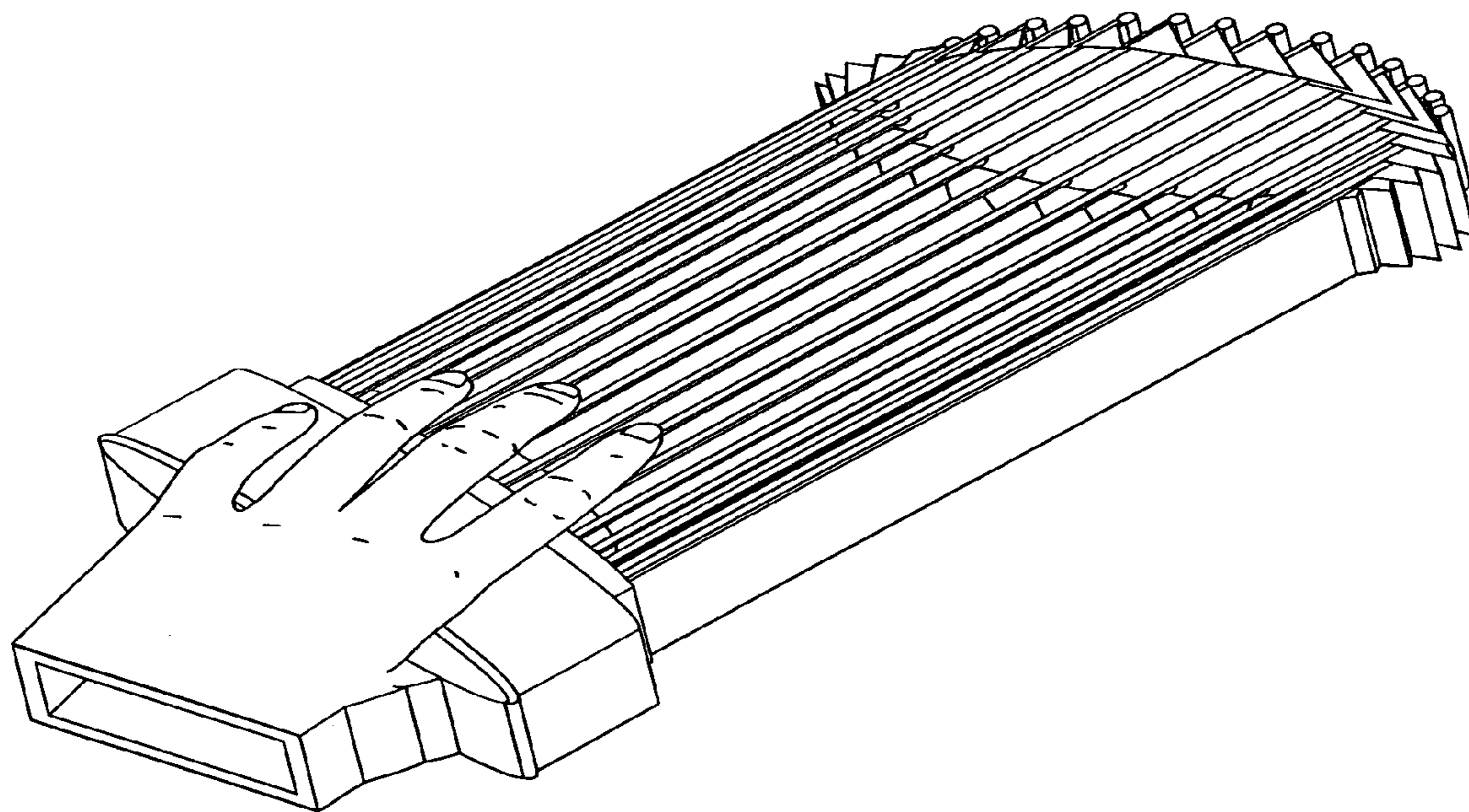


FIG. 7

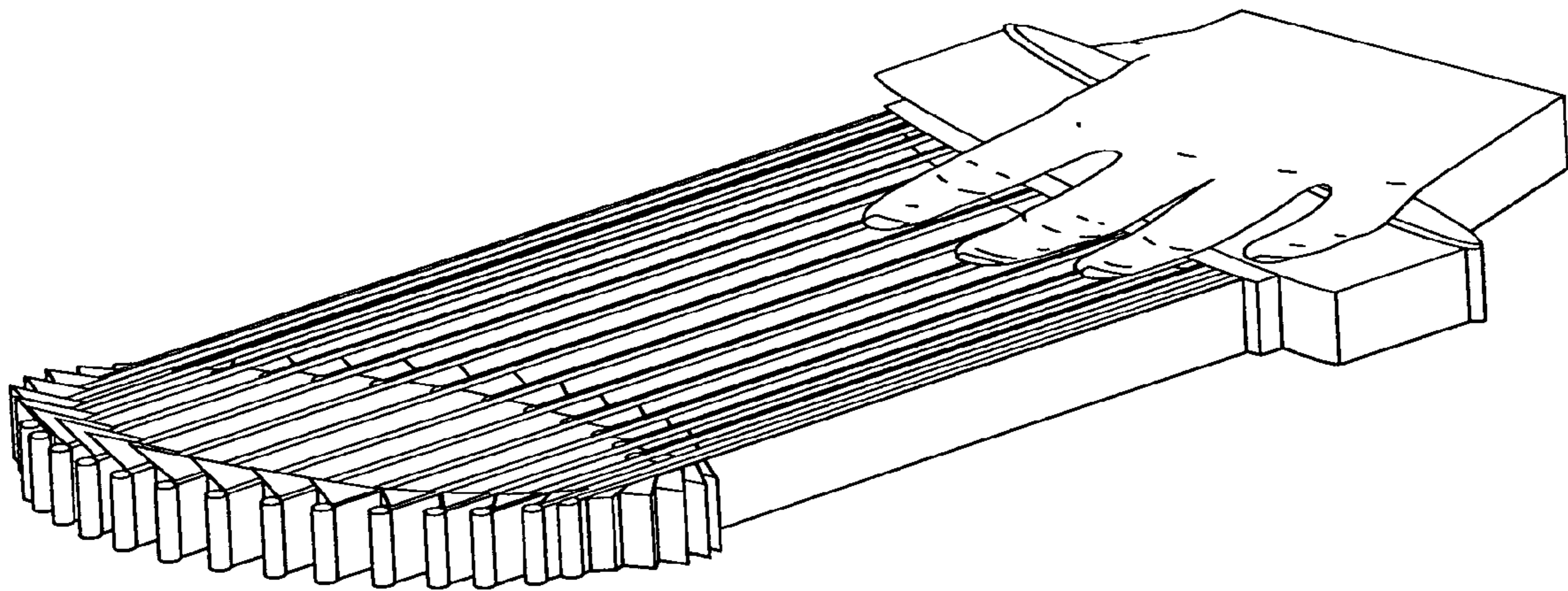


FIG. 8

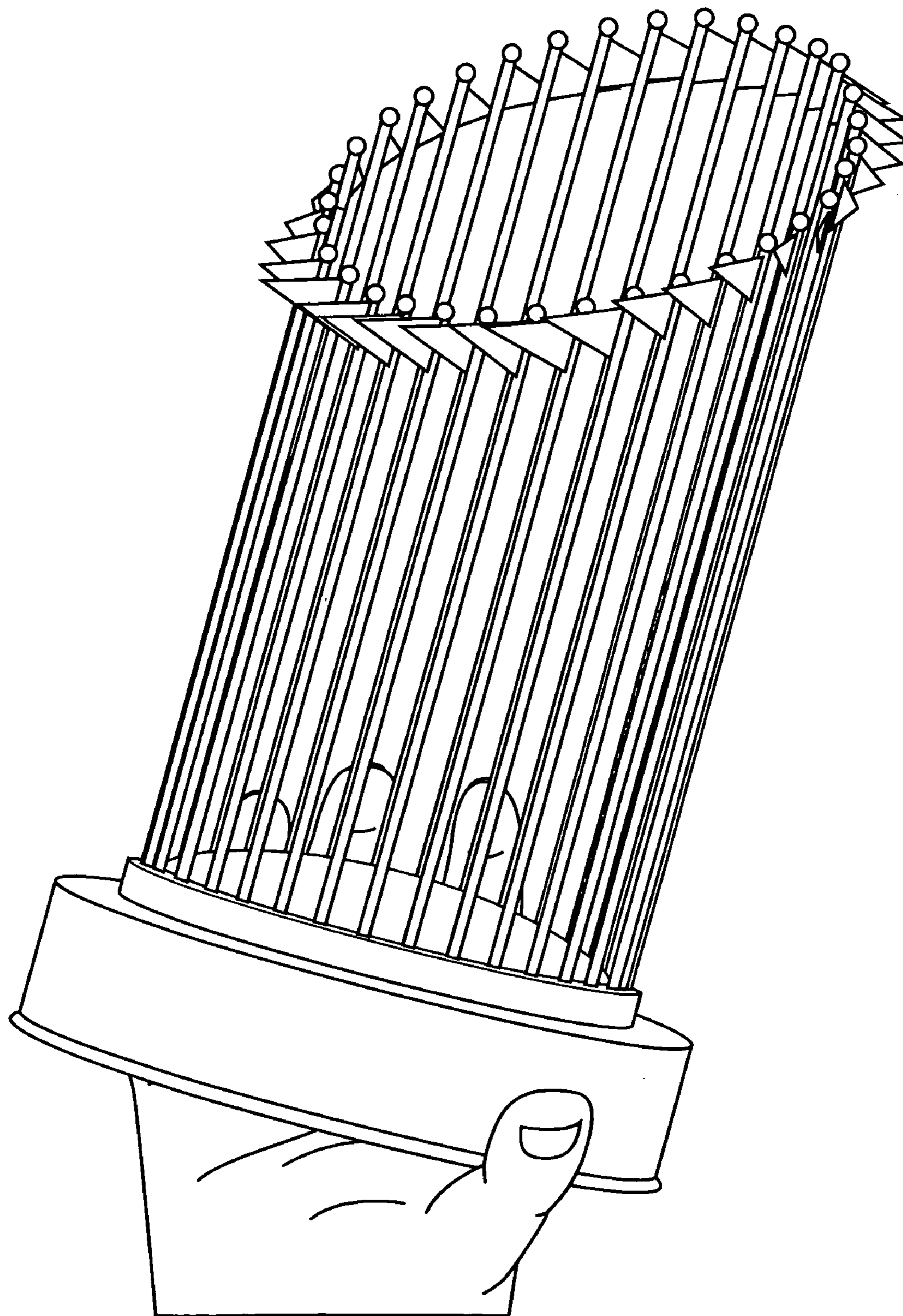


FIG. 9



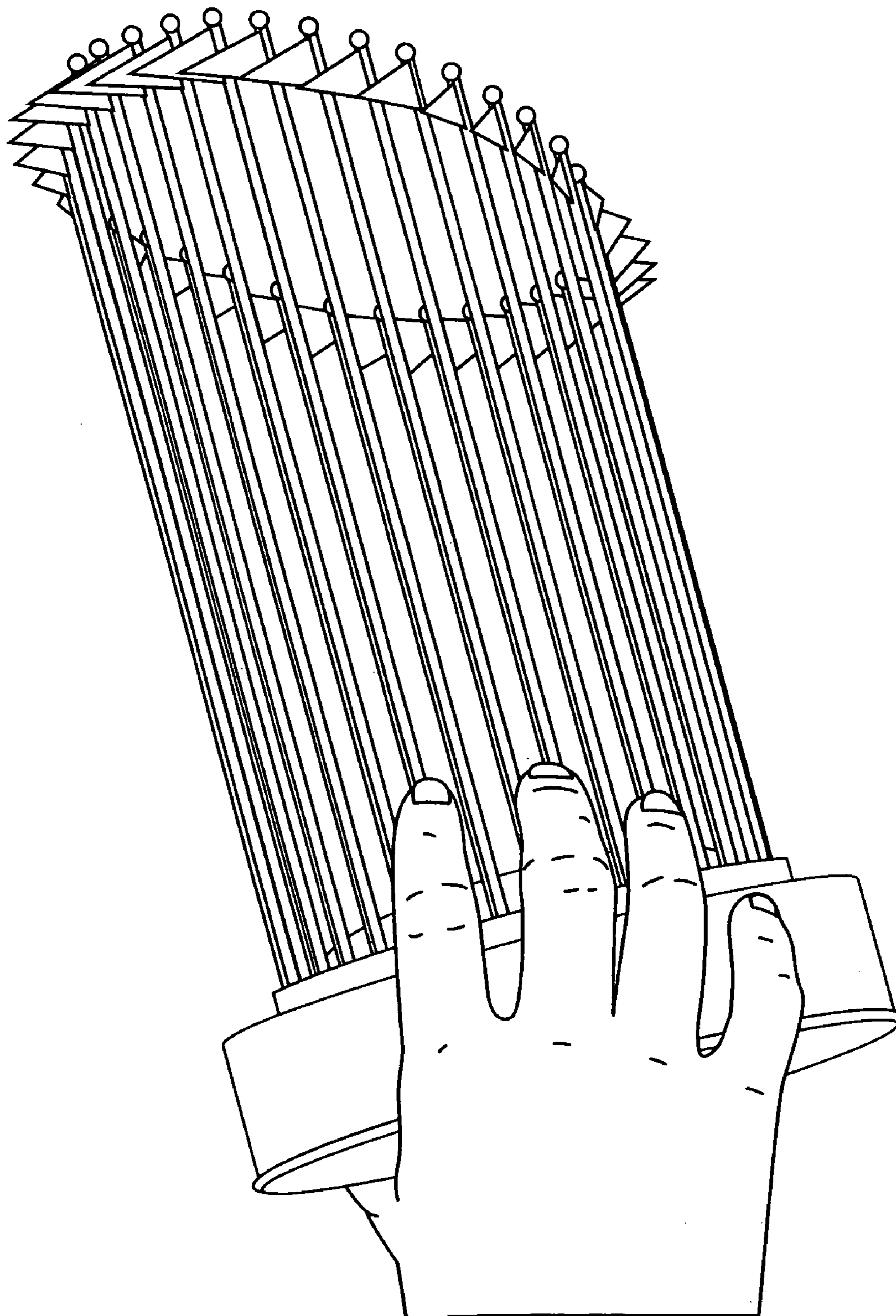


FIG. 10

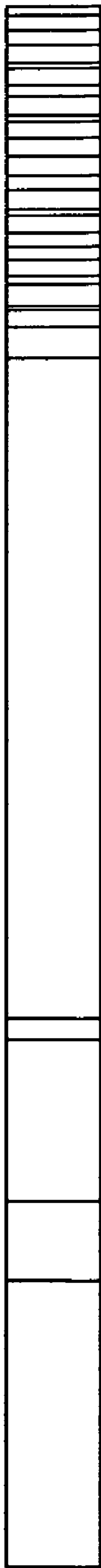


FIG. 11



FIG. 12



FIG. 13

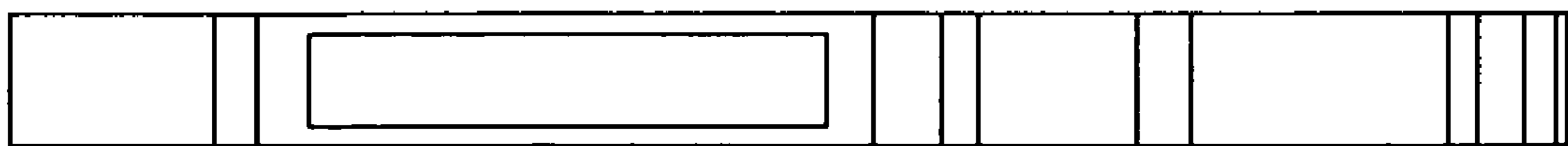


FIG. 14

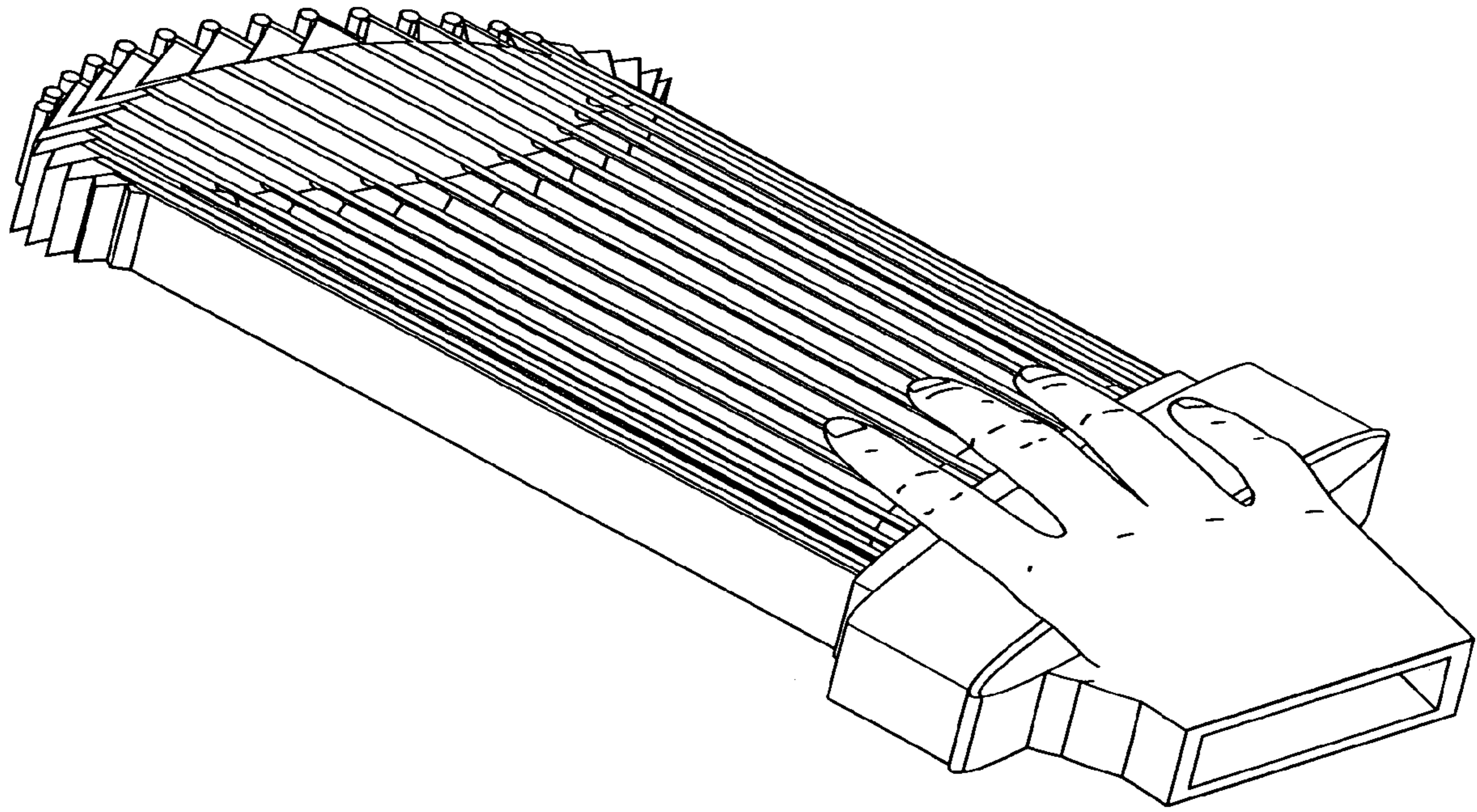


FIG. 15

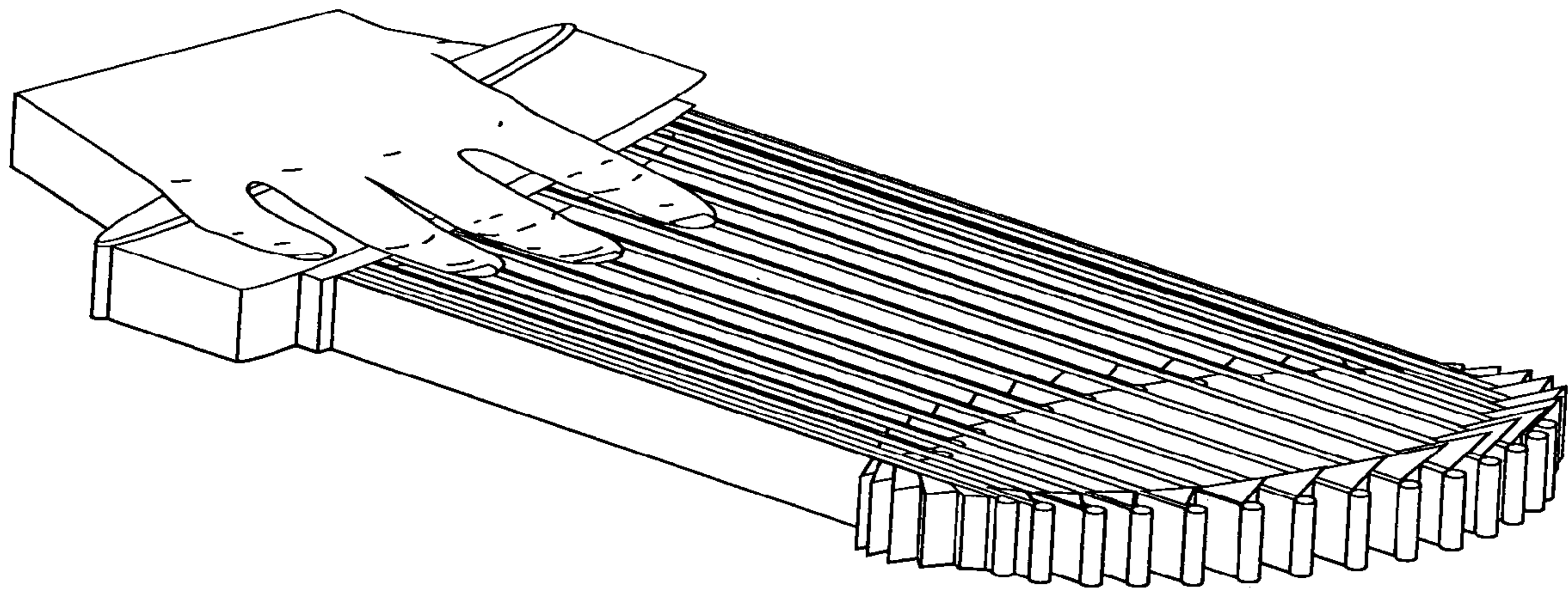


FIG. 16