



US00D674444S

(12) **United States Design Patent**
Luberto

(10) **Patent No.:** **US D674,444 S**
(45) **Date of Patent:** **** Jan. 15, 2013**

(54) **LEARNER PERMIT DRIVER IDENTIFIER
DECAL OR MAGNET**

(76) Inventor: **Daniel A. Luberto**, Revere, MA (US)

(**) Term: **14 Years**

(21) Appl. No.: **29/397,230**

(22) Filed: **Jul. 13, 2011**

Related U.S. Application Data

(63) Continuation-in-part of application No. 13/168,633, filed on Jun. 24, 2011, and a continuation-in-part of application No. 29/376,069, filed on Oct. 1, 2010.

(51) **LOC (9) Cl.** **20-03**

(52) **U.S. Cl.** **D20/11; D20/27**

(58) **Field of Classification Search** D20/10,
D20/11, 13, 19, 22-28, 40, 42, 99; 40/5,
40/6, 124.01-124.09, 124.11-124.19, 124.191,
40/200, 299.01, 312, 313, 359, 360, 413,
40/463, 564, 576, 584, 591, 594, 600, 638,
40/643, 644, 661, 672; 273/139; 283/56,
283/67, 71, 81, 101, 105; 362/812; 428/99,
428/914

See application file for complete search history.

(56) **References Cited**

U.S. PATENT DOCUMENTS

167,045	A	8/1875	Wilkerson	
RE9,223	E *	6/1880	Tuchfarber	40/584
1,364,906	A *	1/1921	Waller	40/463
D88,161	S	11/1932	Louis	
1,982,282	A *	11/1934	Bock	273/139
2,129,362	A *	9/1938	Simons et al.	283/67
2,129,364	A	9/1938	Simons et al.	

(Continued)

OTHER PUBLICATIONS

MagnetMom, OLX webpage, "Caution New Driver Magnet", <http://lawrenceville-georgia.olx.com/caution-new-driver-magnet-iid-41709302>, Jun. 24, 2011, 3 pgs.

Primary Examiner — Mary Ann Calabrese
(74) *Attorney, Agent, or Firm* — Onello & Mello, LLP

(57) **CLAIM**

An ornamental design for a learner permit driver identifier decal or magnet, as shown and described.

DESCRIPTION

FIG. 1 is a front view of a learner permit driver identifier decal or magnet, in accordance with aspects of the present invention;

FIG. 2 is a side view of a learner permit driver identifier decal or magnet, in accordance with aspects of the present invention;

FIG. 3 is a top view of a learner permit driver identifier decal or magnet, in accordance with aspects of the present invention. The bottom view is identical thereto;

FIG. 4 is a back view of a learner permit driver identifier decal or magnet, in accordance with aspects of the present invention;

FIG. 5 is an elevation of a learner permit driver identifier decal or magnet of FIG. 1 attached to a rear window of an automobile;

FIG. 6 is an elevation view of a learner permit driver identifier decal or magnet of FIG. 1 attached to a rear bumper of an automobile;

FIG. 7 is an elevation view of a learner permit driver identifier decal or magnet of FIG. 1 attached to a rear body portion of an automobile; and,

FIG. 8 is an elevation view of a learner permit driver identifier decal or magnet of FIG. 1 attached to a license plate of an automobile.

In the drawings, the broken lines illustrate environment and form no part of the claimed design.

1 Claim, 4 Drawing Sheets



US D674,444 S

Page 2

U.S. PATENT DOCUMENTS

2,190,210	A	2/1940	Kaber		6,149,204	A	11/2000	Casper	
D123,663	S	* 11/1940	Bristol D20/22	6,385,883	B1	* 5/2002	Votolato 40/594
D133,133	S	7/1942	Ross		D471,239	S	3/2003	Schaller	
2,324,885	A	7/1943	Sherrill		D522,065	S	5/2006	Greenstein	
2,859,051	A	11/1958	Simpson		D542,854	S	* 5/2007	Rost D20/32
3,419,985	A	1/1969	Berrier		D595,779	S	7/2009	Sauter	
3,670,438	A	6/1972	Carroll et al.		D601,635	S	* 10/2009	Spengler D20/26
3,950,098	A	4/1976	Caine		7,937,866	B1	5/2011	Brown	
D268,120	S	* 3/1983	Kleiner D20/11	2002/0110659	A1	* 8/2002	Woods 428/40.1
4,479,319	A	10/1984	Erllich		2004/0035033	A1	2/2004	Craig et al.	
D293,692	S	* 1/1988	Ippati-Dingli D20/31	2004/0111941	A1	* 6/2004	Spear et al. 40/638
D293,693	S	* 1/1988	Ippati-Dingli D20/31	2006/0088683	A1	4/2006	Wilson	
D382,018	S	8/1997	Washington		2006/0143955	A1	7/2006	Boyd	
D394,459	S	* 5/1998	Horner D20/42	2007/0126226	A1	6/2007	Kolodzie et al.	
D399,260	S	10/1998	Thimote		2008/0317979	A1	12/2008	Itakura et al.	
D412,184	S	7/1999	Garrett		2011/0314710	A1	12/2011	Luberto	
D432,173	S	10/2000	Baker						

* cited by examiner



FIG. 1



FIG. 2



FIG. 3

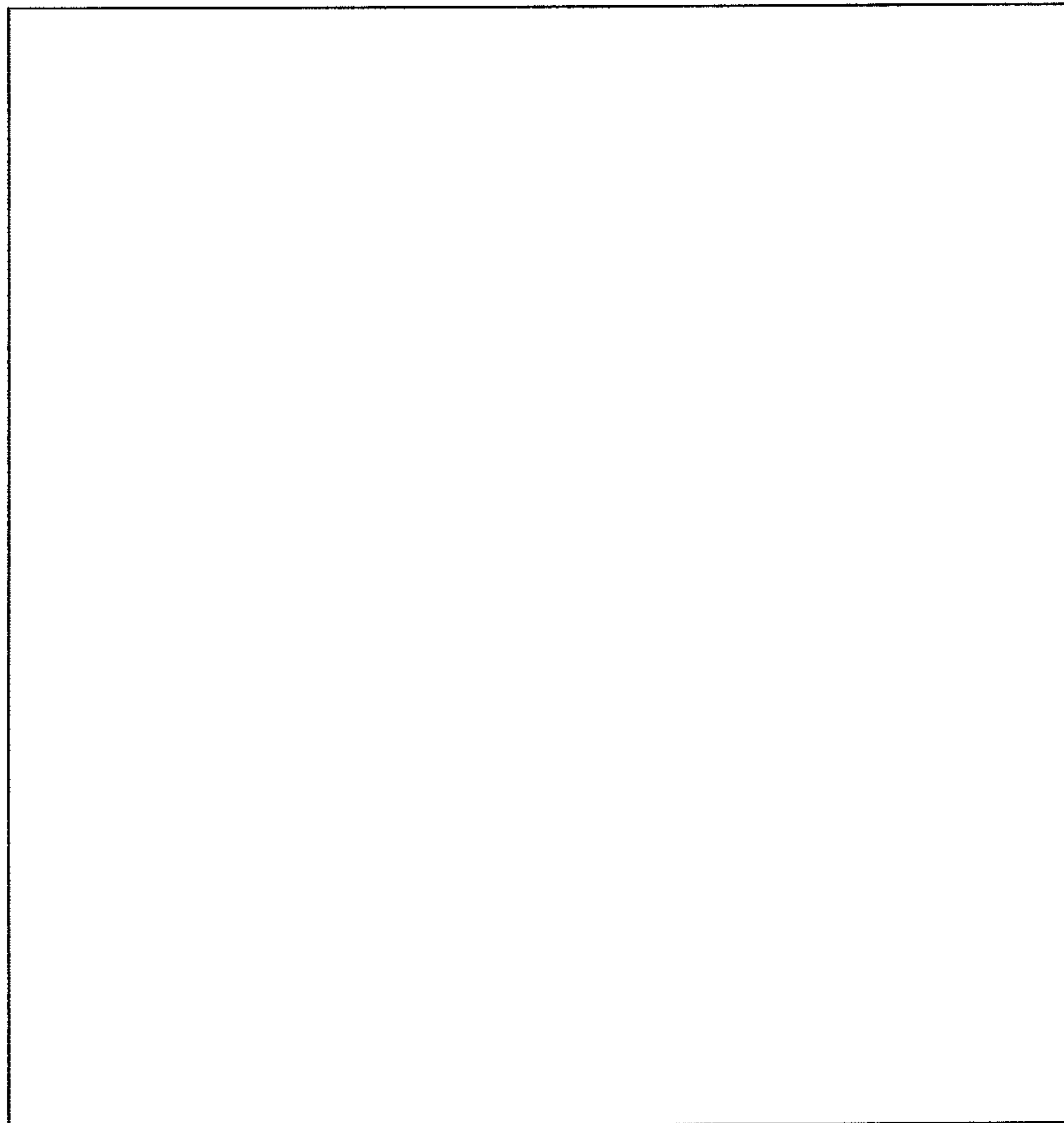


FIG. 4

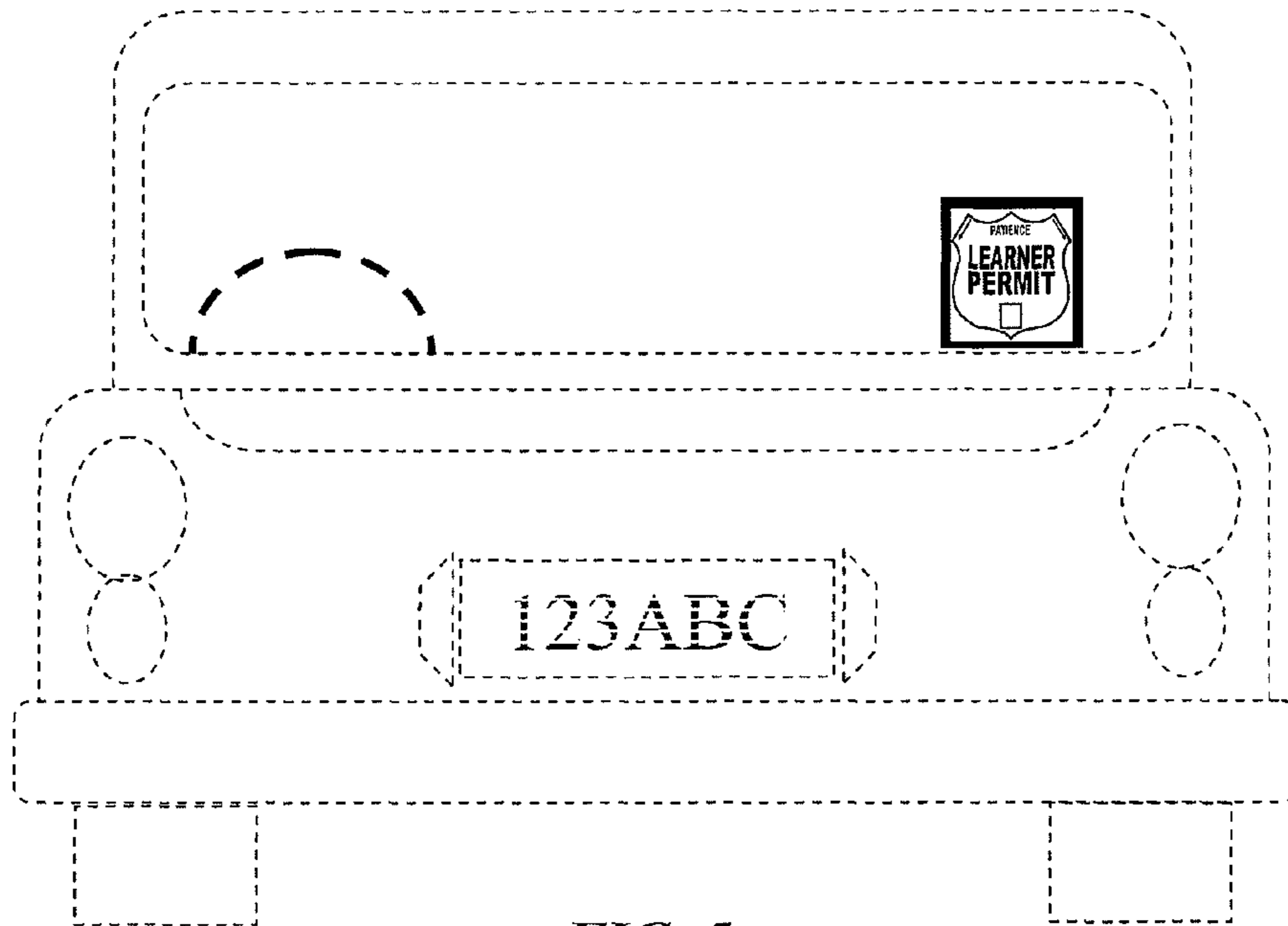


FIG. 5

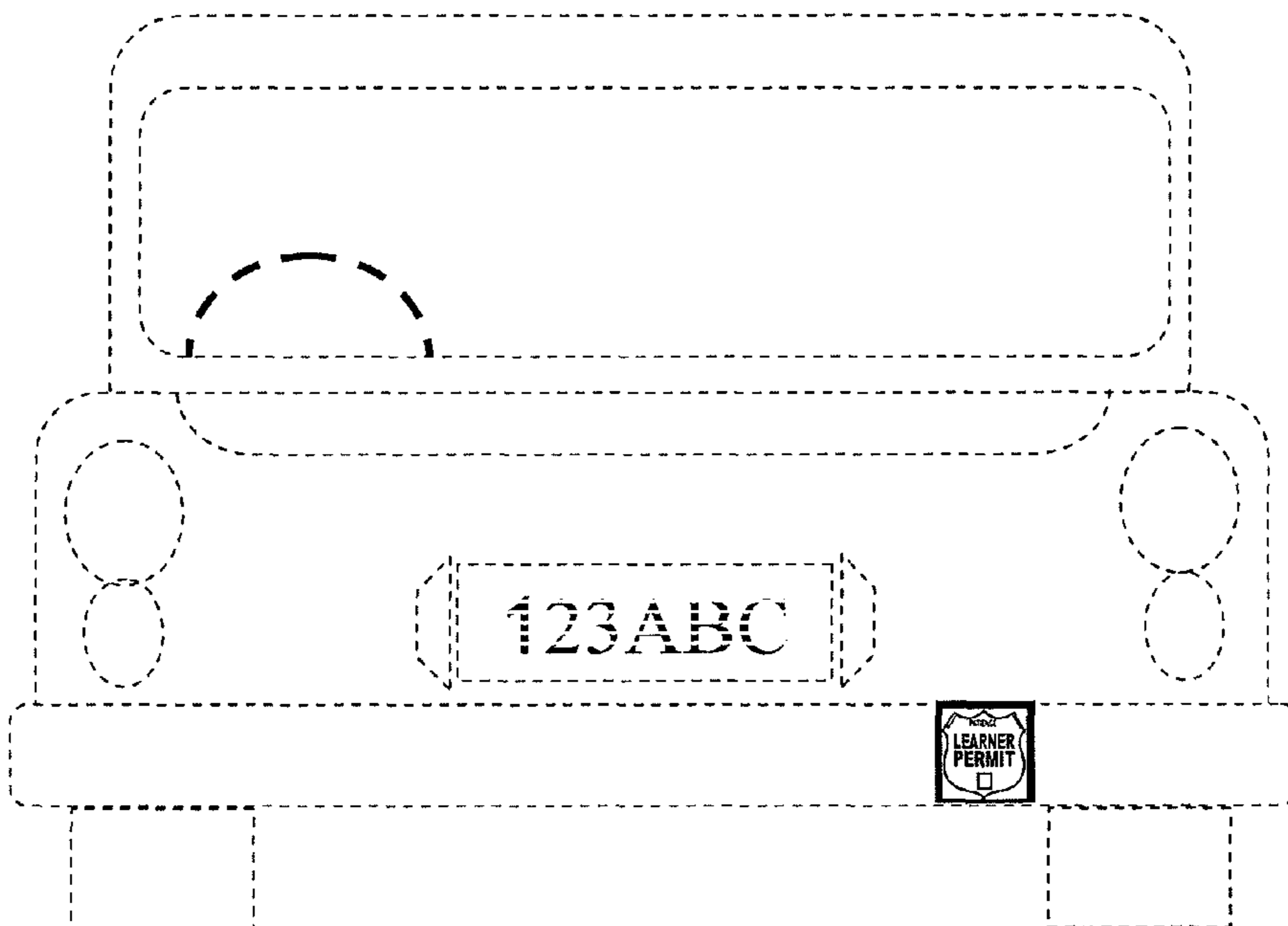


FIG. 6

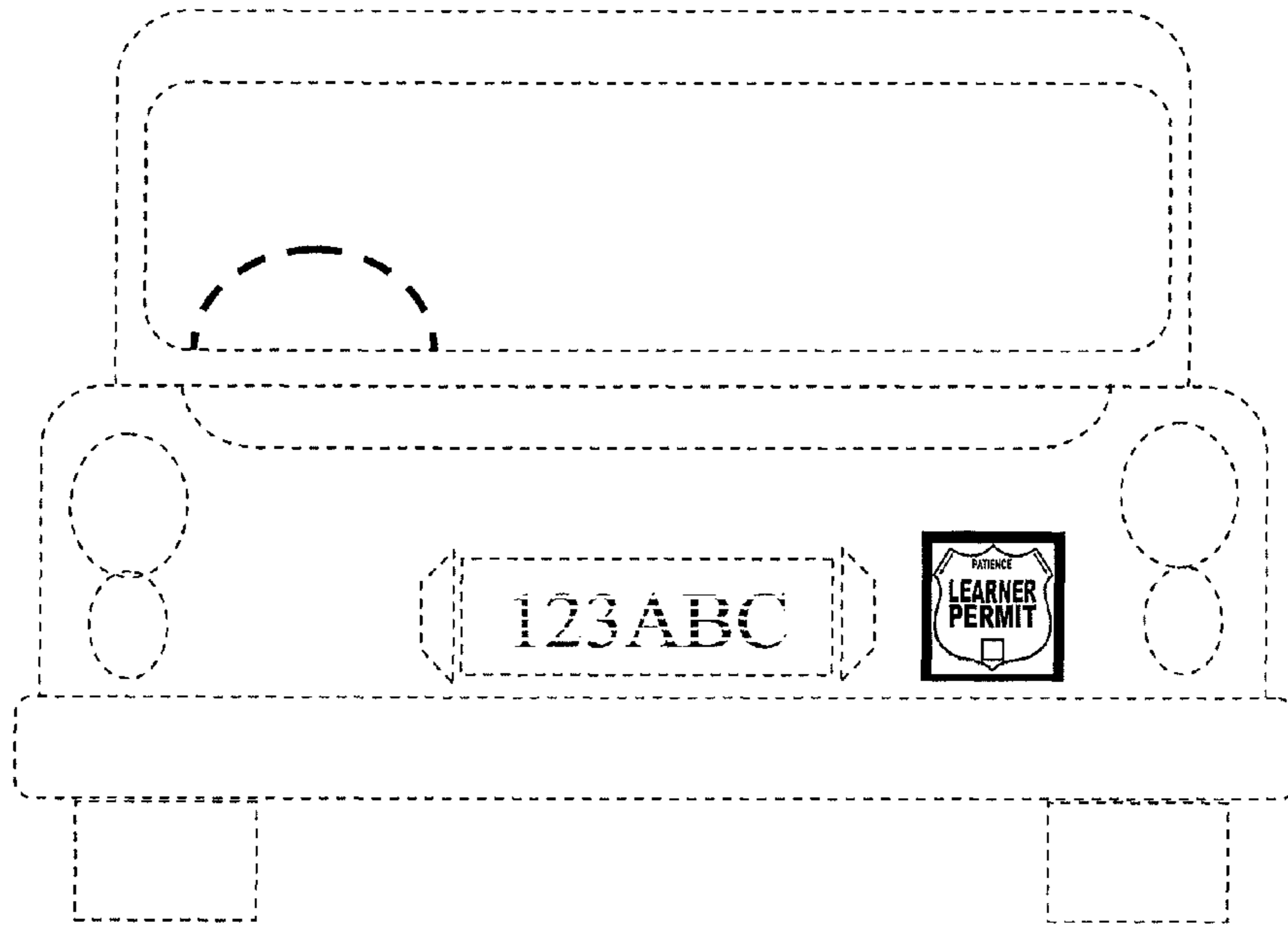


FIG. 7



FIG. 8