



US00D674435S

(12) **United States Design Patent**  
**Inoue et al.**

(10) **Patent No.:** **US D674,435 S**  
(45) **Date of Patent:** **\*\* Jan. 15, 2013**

(54) **PRINTER**

(75) Inventors: **Susumu Inoue**, Matsumoto (JP); **Akari Yamamoto**, Shiojiri (JP); **Yasushi Utsugi**, Shiojiri (JP); **Yuto Suzuki**, Shiojiri (JP); **Mami Hashizume**, Ina (JP)

(73) Assignee: **Seiko Epson Corporation** (JP)

(\*\*) Term: **14 Years**

(21) Appl. No.: **29/392,788**

(22) Filed: **May 26, 2011**

(30) **Foreign Application Priority Data**

Dec. 28, 2010 (JP) ..... 2010-031282

(51) **LOC (9) Cl.** ..... **14-02**

(52) **U.S. Cl.** ..... **D18/55**

(58) **Field of Classification Search** ..... D18/19,  
D18/36-37, 50, 54, 54.1, 55; D14/420-425,  
D14/463, 470; 400/613, 613.1-613.4, 690,  
400/690.1-690.4, 691-694

See application file for complete search history.

(56) **References Cited**

**U.S. PATENT DOCUMENTS**

D350,765 S \* 9/1994 Hiroki et al. .... D18/36  
D528,155 S \* 9/2006 Katayama ..... D18/55  
D551,700 S \* 9/2007 Park et al. .... D18/55

D555,195 S \* 11/2007 Park et al. .... D18/55  
D556,256 S \* 11/2007 Matsumoto ..... D18/55  
D579,973 S \* 11/2008 Park et al. .... D18/55  
D581,976 S \* 12/2008 Park et al. .... D18/55  
D584,344 S \* 1/2009 Lee et al. .... D18/43  
D596,226 S \* 7/2009 Yamaguchi ..... D18/55  
D633,556 S \* 3/2011 Park et al. .... D18/55  
D639,849 S \* 6/2011 Sato et al. .... D18/50  
D641,778 S \* 7/2011 Lee et al. .... D18/55

\* cited by examiner

*Primary Examiner* — Cathy A MacCormac

(74) *Attorney, Agent, or Firm* — Harness, Dickey & Pierce, P.L.C.

(57) **CLAIM**

The ornamental design for a printer, as shown and described.

**DESCRIPTION**

FIG. 1 is a perspective view of a printer, as viewed from the top, front and right side, embodying our new design;

FIG. 2 is a perspective view thereof, as viewed from the top, rear and left side;

FIG. 3 is a front view thereof;

FIG. 4 is a rear view thereof;

FIG. 5 is a left side view thereof;

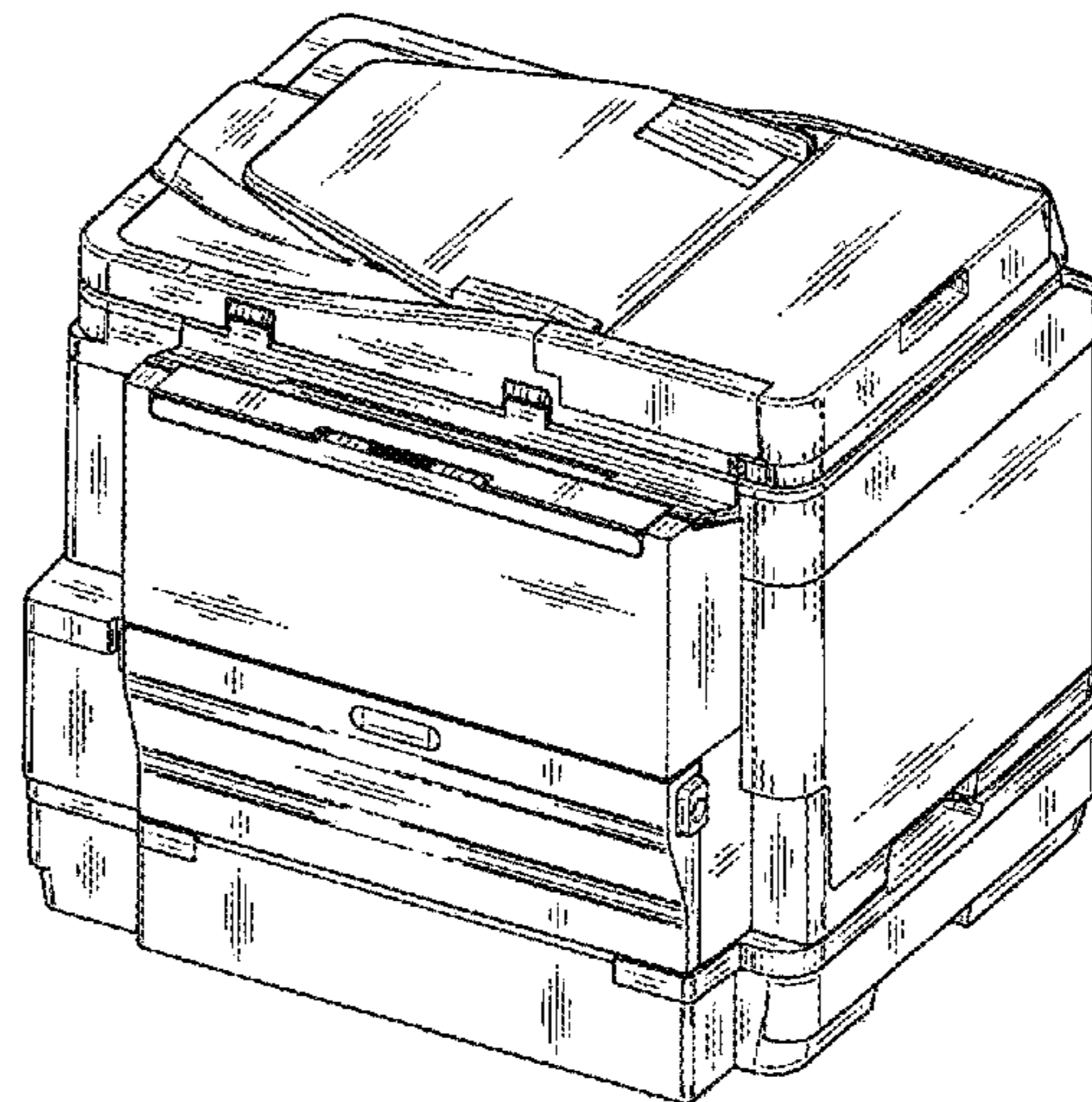
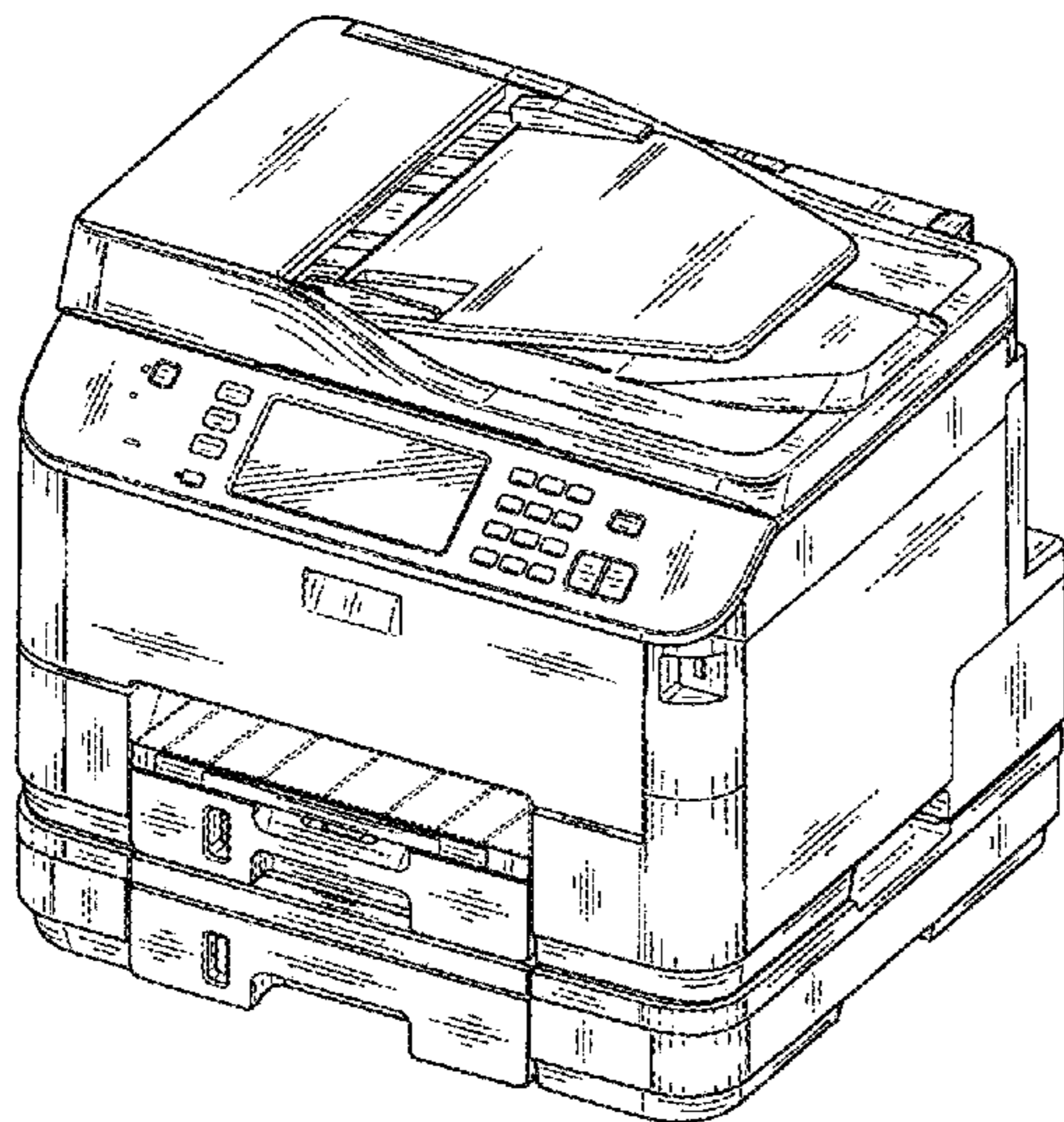
FIG. 6 is a right side view thereof;

FIG. 7 is a top view thereof; and,

FIG. 8 is a bottom view thereof.

The broken lines are for illustrative purposes only and form no part of the claimed invention.

**1 Claim, 5 Drawing Sheets**



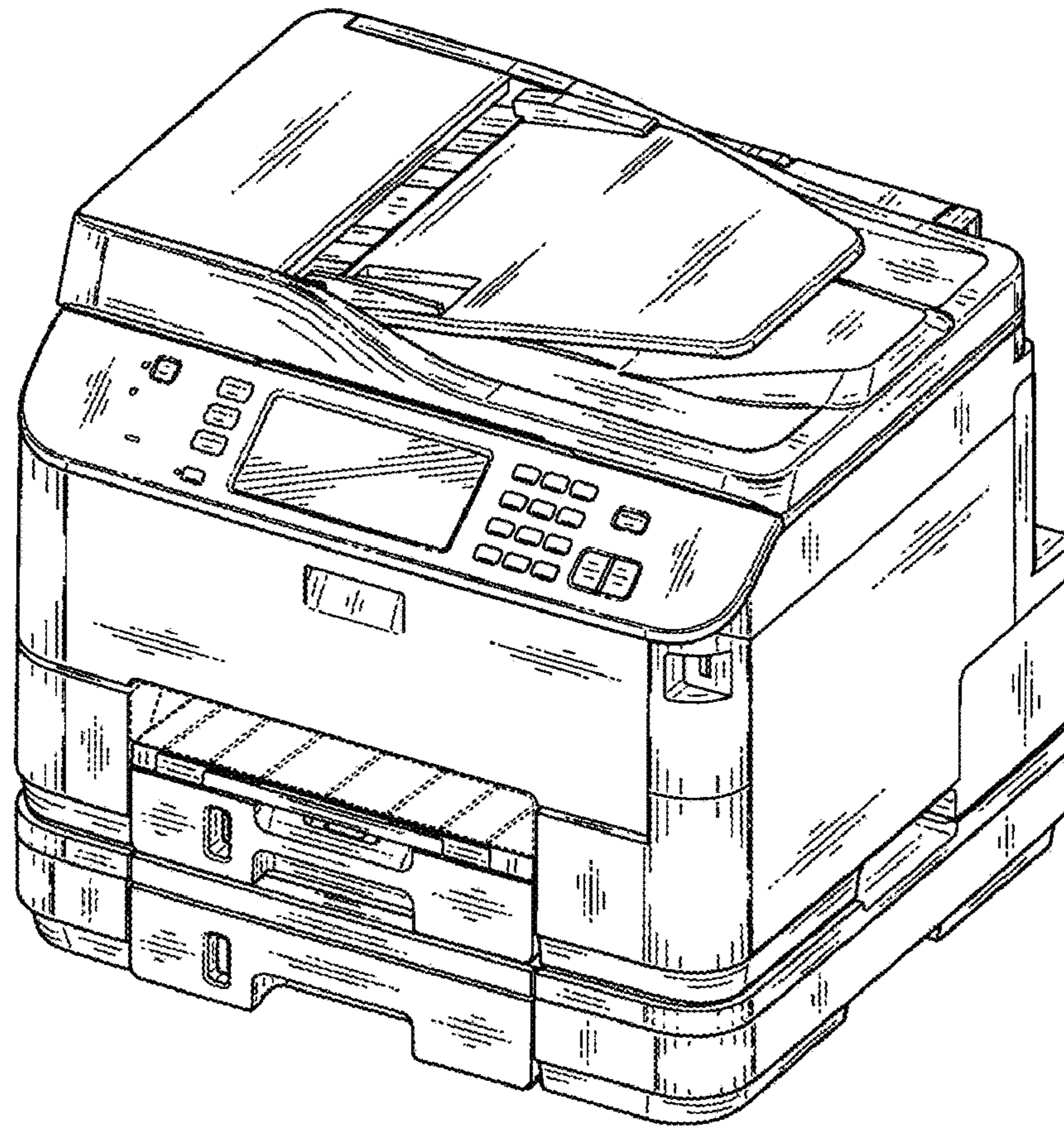


FIG. 1

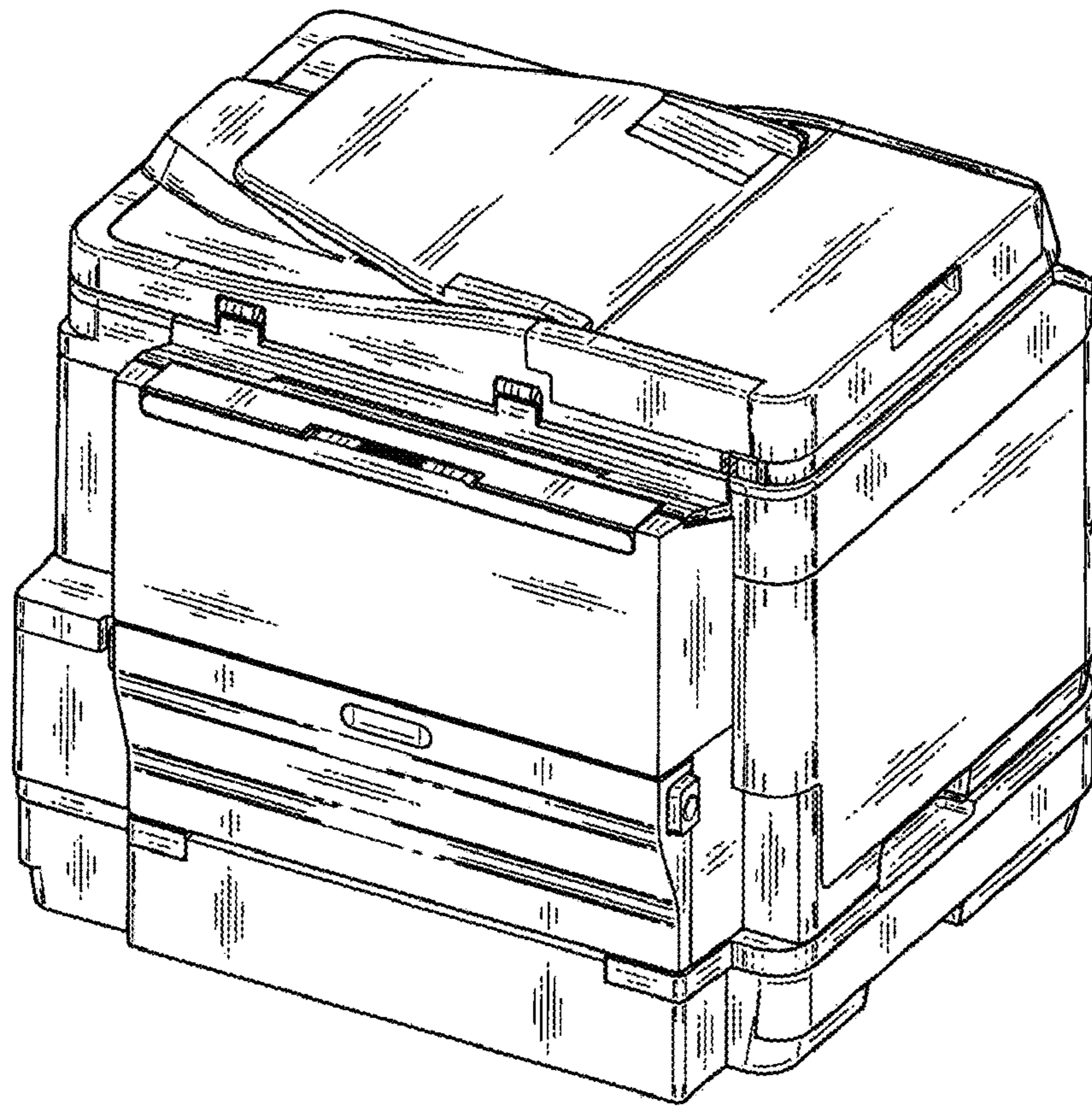


FIG. 2

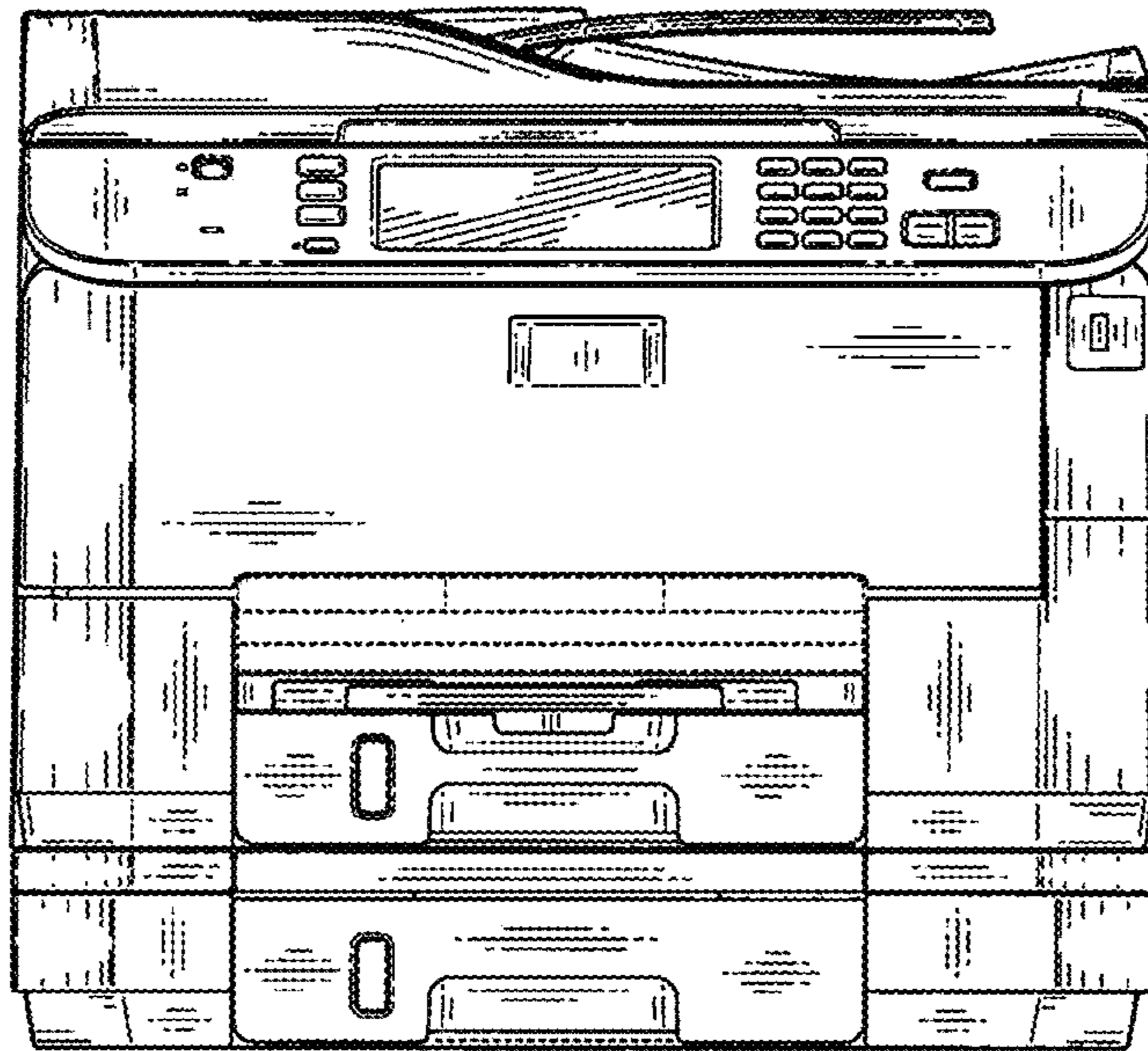


FIG. 3

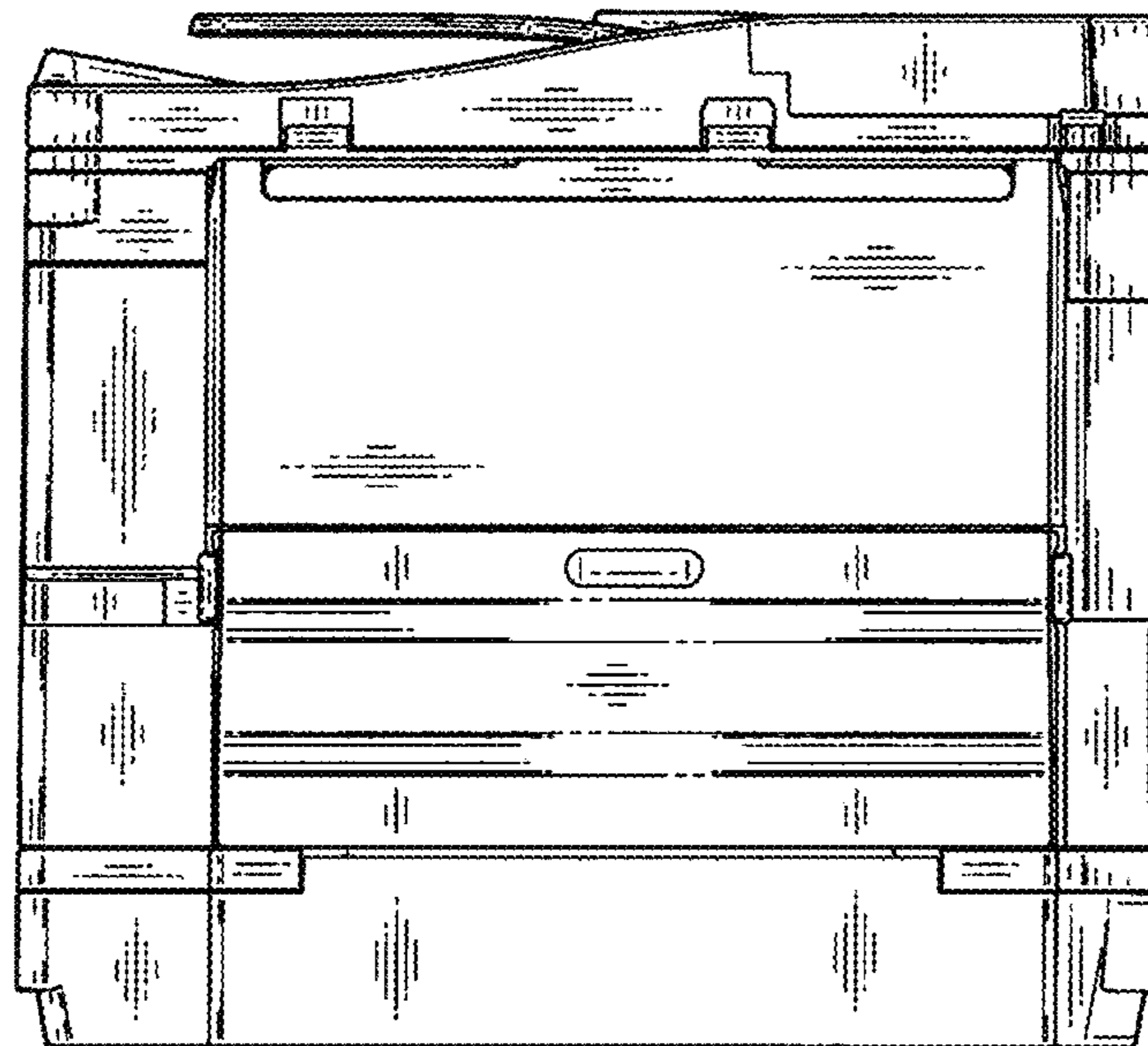


FIG. 4

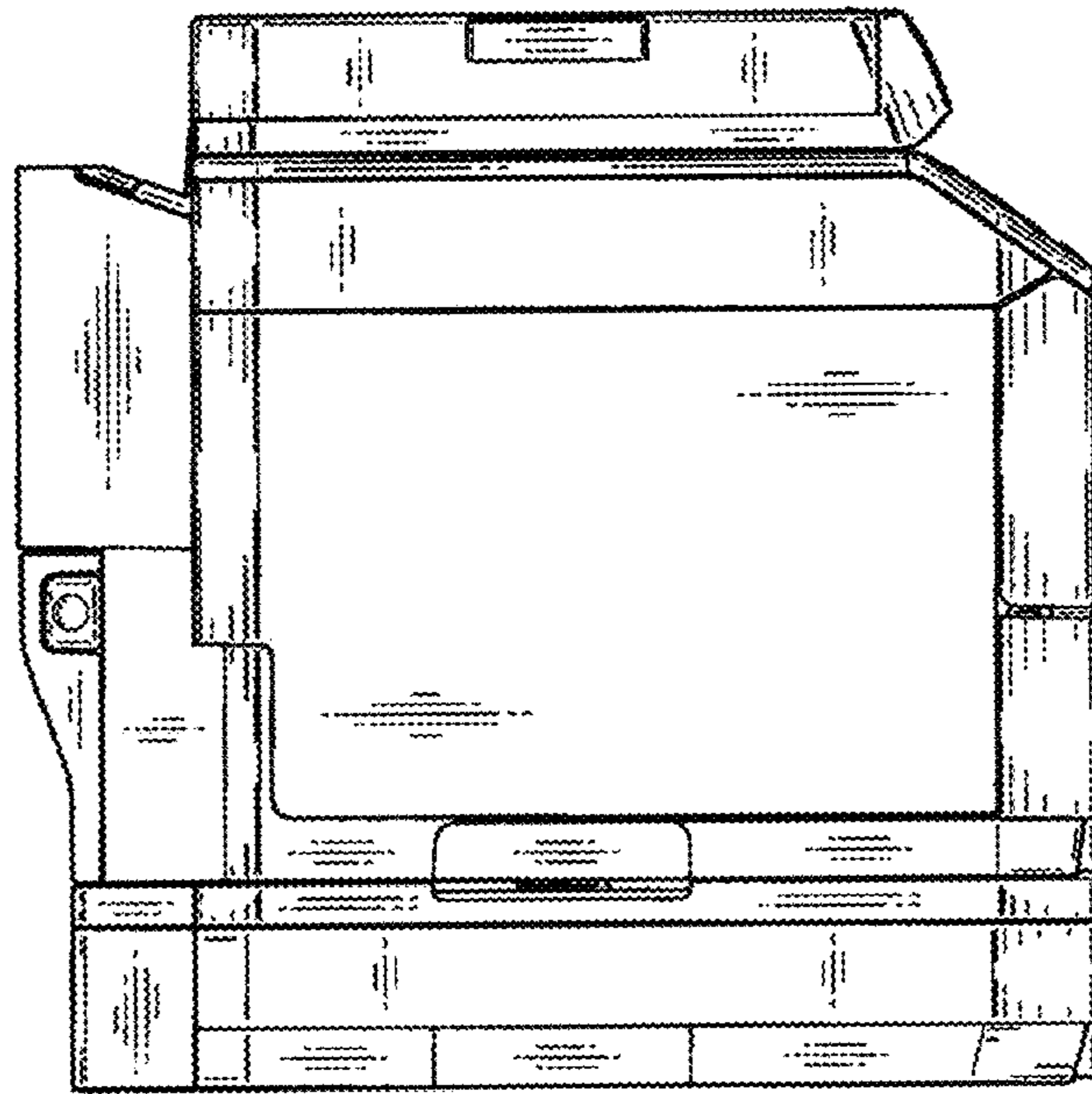


FIG. 5

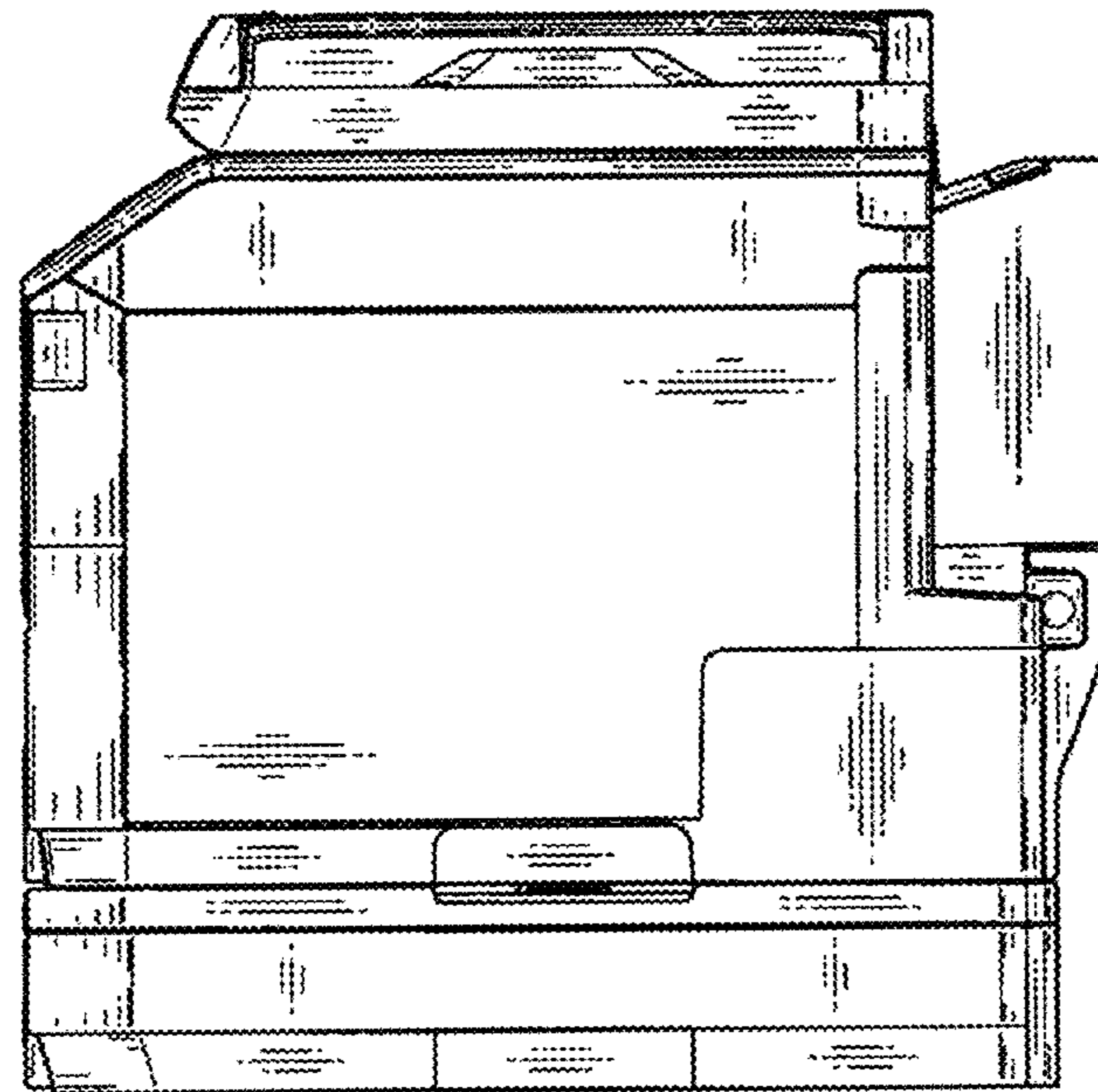


FIG. 6

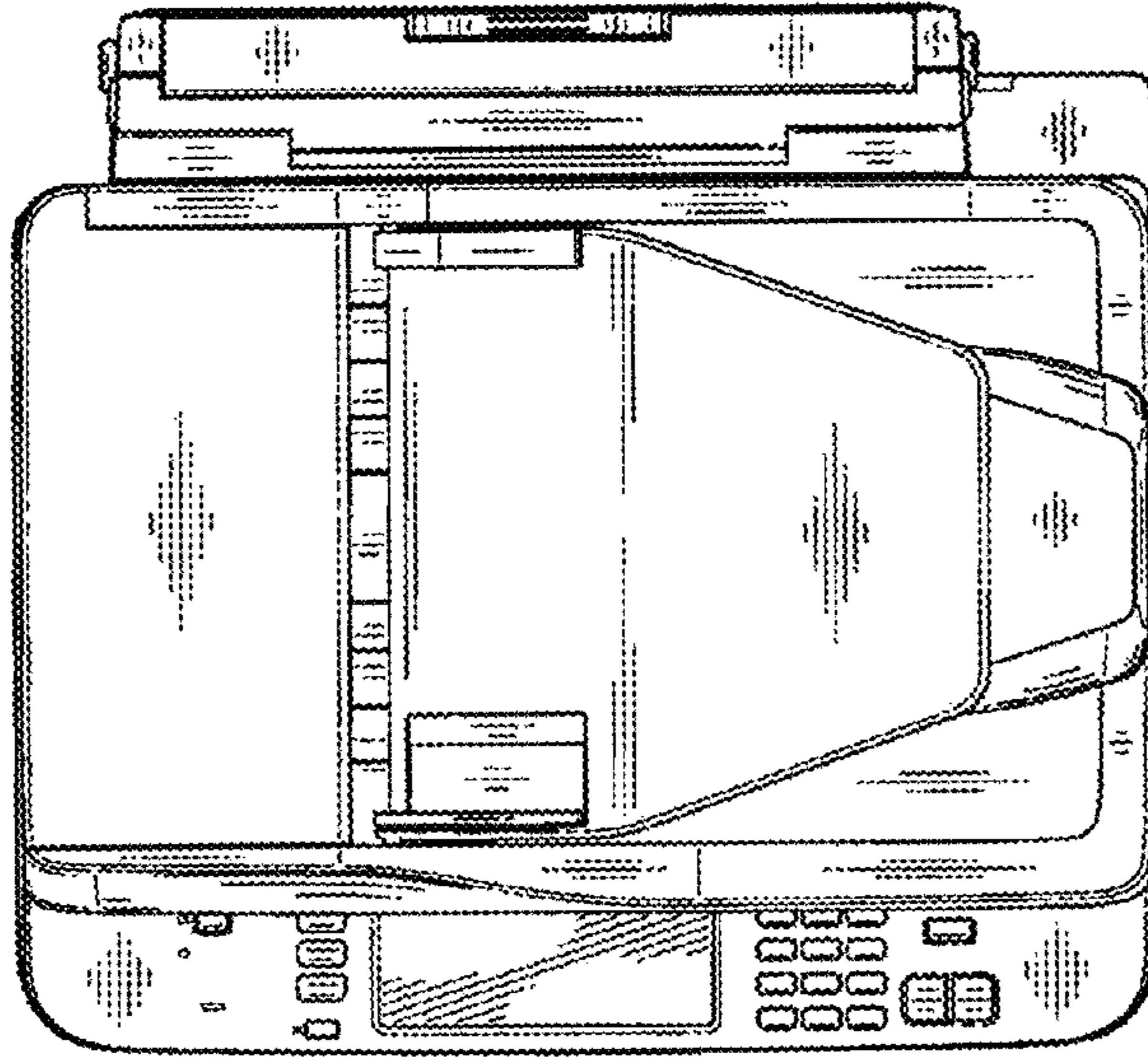


FIG. 7

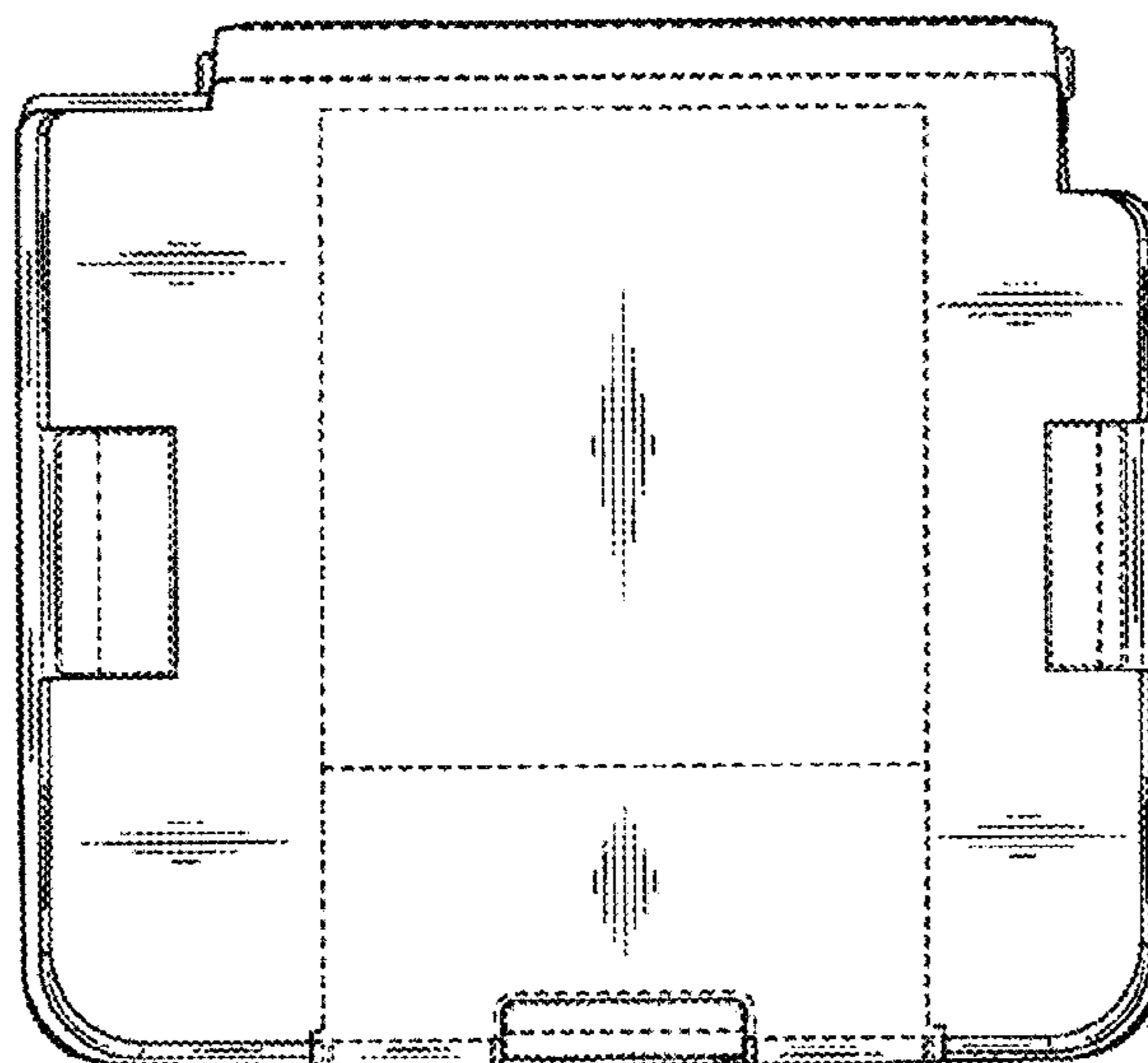


FIG. 8