



US00D674431S

(12) **United States Design Patent**  
**Kim et al.**

(10) **Patent No.:** **US D674,431 S**  
(45) **Date of Patent:** **\*\* Jan. 15, 2013**

(54) **STRAP FOR CAMERA**

D314,394 S \* 2/1991 Cardwell ..... D16/243  
D325,470 S \* 4/1992 Harms ..... D3/327  
5,503,315 A \* 4/1996 Ruzika et al. .... 224/258

(75) Inventors: **Hae-Jin Kim**, Seoul (KR); **Lala Laporta**, Milan (IT); **Kyung-Hoon Lee**, Seoul (KR)

\* cited by examiner

(73) Assignee: **Samsung Electronics Co., Ltd.** (KR)

*Primary Examiner* — Adir Aronovich  
(74) *Attorney, Agent, or Firm* — NSIP Law

(\*\*) Term: **14 Years**

(57) **CLAIM**  
The ornamental design for a strap for camera, as shown and described.

(21) Appl. No.: **29/391,056**

**DESCRIPTION**

(22) Filed: **May 3, 2011**

(30) **Foreign Application Priority Data**

Mar. 3, 2011 (KR) ..... 30-2011-0008494

(51) **LOC (9) Cl.** ..... **16-05**

(52) **U.S. Cl.** ..... **D16/243; D3/327**

(58) **Field of Classification Search** ..... D3/327,  
D3/328; D16/237, 243; 224/257, 258, 908  
See application file for complete search history.

FIG. 1 is a front perspective view of a strap for camera showing our new design;  
FIG. 2 is a front elevational view of the strap for camera of FIG. 1;  
FIG. 3 is a rear elevational view of the strap for camera of FIG. 1;  
FIG. 4 is a left side elevational view of the strap for camera of FIG. 1;  
FIG. 5 is a right side elevational view of the strap for camera of FIG. 1;  
FIG. 6 is an enlarged top plan view of the strap for camera of FIG. 1;  
FIG. 7 is an enlarged bottom plan view of the strap for camera of FIG. 1; and,  
FIG. 8 is an enlarged cross-sectional view of the strap for camera of FIG. 1 taken at line A-A' of FIG. 2.

(56) **References Cited**

**U.S. PATENT DOCUMENTS**

3,884,403 A \* 5/1975 Brewer ..... 224/257  
D249,386 S \* 9/1978 Zacuto ..... 224/258  
D252,931 S \* 9/1979 Tamarin ..... D16/243  
4,827,578 A \* 5/1989 Heckerman et al. .... 224/908

**1 Claim, 6 Drawing Sheets**



FIG. 1



FIG. 2

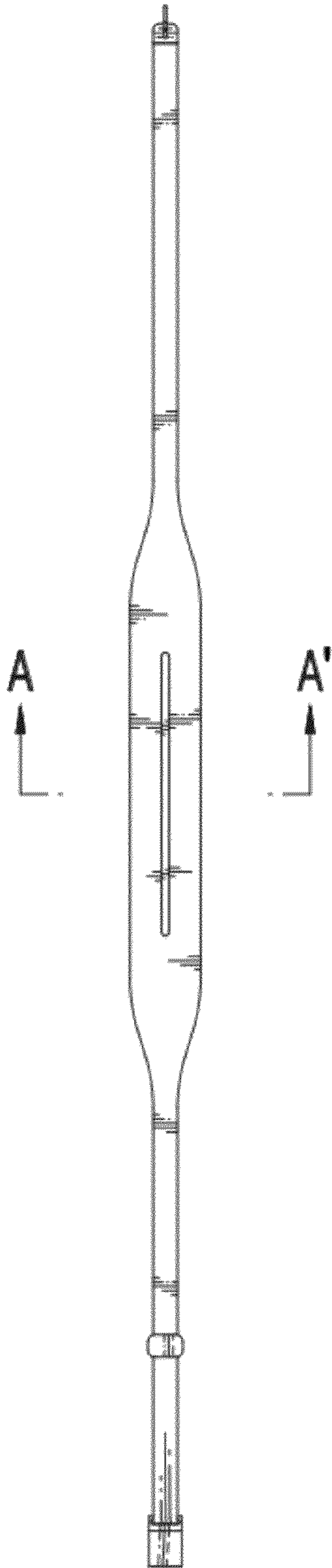


FIG. 3



FIG. 4



FIG. 5



FIG. 6

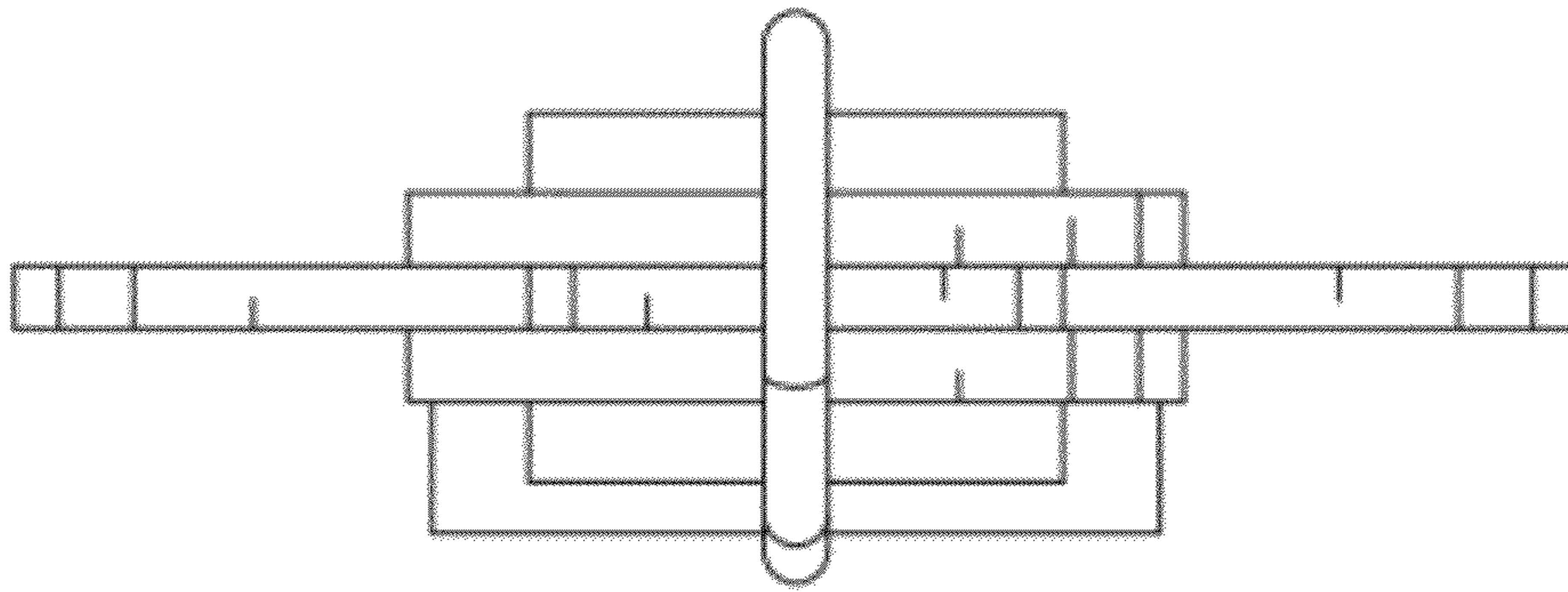


FIG. 7

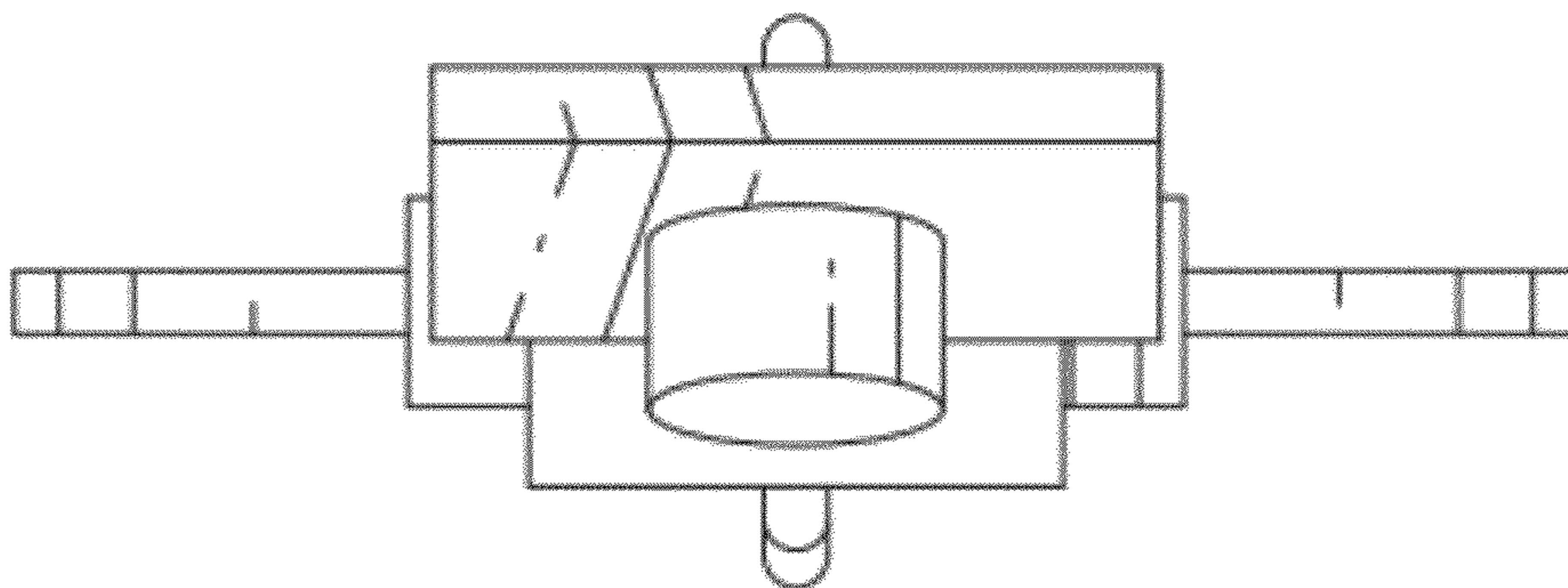


FIG. 8

