



US00D674430S

(12) **United States Design Patent**  
**Inoue**

(10) **Patent No.:** **US D674,430 S**  
(45) **Date of Patent:** **\*\* Jan. 15, 2013**

(54) **CAMERA FOR TELEVISION RECEIVER**

(75) Inventor: **Yoshiaki Inoue**, Osaka (JP)

(73) Assignee: **Panasonic Corporation**, Osaka (JP)

(\*\*) Term: **14 Years**

(21) Appl. No.: **29/409,047**

(22) Filed: **Dec. 20, 2011**

(51) **LOC (9) Cl.** ..... **16-01**

(52) **U.S. Cl.** ..... **D16/218**

(58) **Field of Classification Search** ..... D16/200–204,  
D16/208, 218; 348/143, 373–376; 396/427,  
396/535, 540, 541

See application file for complete search history.

(56) **References Cited**

**U.S. PATENT DOCUMENTS**

D487,104 S *	2/2004	Obata	.....	D16/202
D535,676 S *	1/2007	Dayan	.....	D16/218
D641,388 S *	7/2011	Shih et al.	.....	D16/202
D643,456 S *	8/2011	Won et al.	.....	D16/218
D650,408 S *	12/2011	Kim et al.	.....	D16/202
D665,441 S *	8/2012	McManigal	.....	D16/218
2006/0061655 A1 *	3/2006	Wang	.....	348/143

**FOREIGN PATENT DOCUMENTS**

JP D1423615 9/2011

\* cited by examiner

*Primary Examiner* — Adir Aronovich

(74) *Attorney, Agent, or Firm* — Brinks Hofer Gilson & Lione

(57) **CLAIM**

I claim the ornamental design for a camera for television receiver, as shown and described.

**DESCRIPTION**

FIG. 1 is a front perspective view of a camera for television receiver of the present invention;  
FIG. 2 is a rear perspective view thereof;  
FIG. 3 is a front elevational view thereof;  
FIG. 4 is a rear elevational view thereof;  
FIG. 5 is right side elevational view thereof;  
FIG. 6 is a left side elevational view thereof;  
FIG. 7 is a top plan view thereof; and,  
FIG. 8 is a bottom plan view thereof.

**1 Claim, 8 Drawing Sheets**

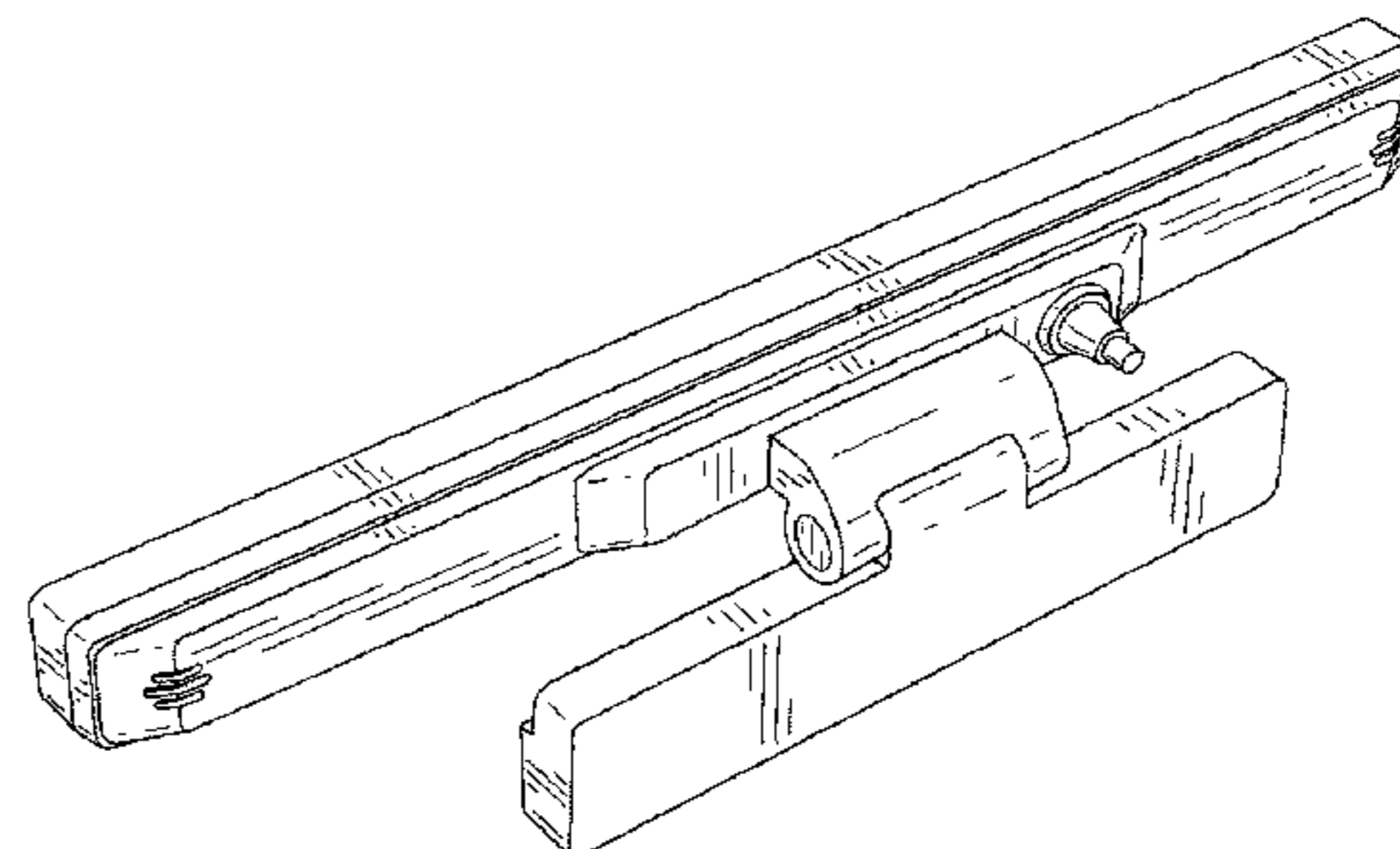
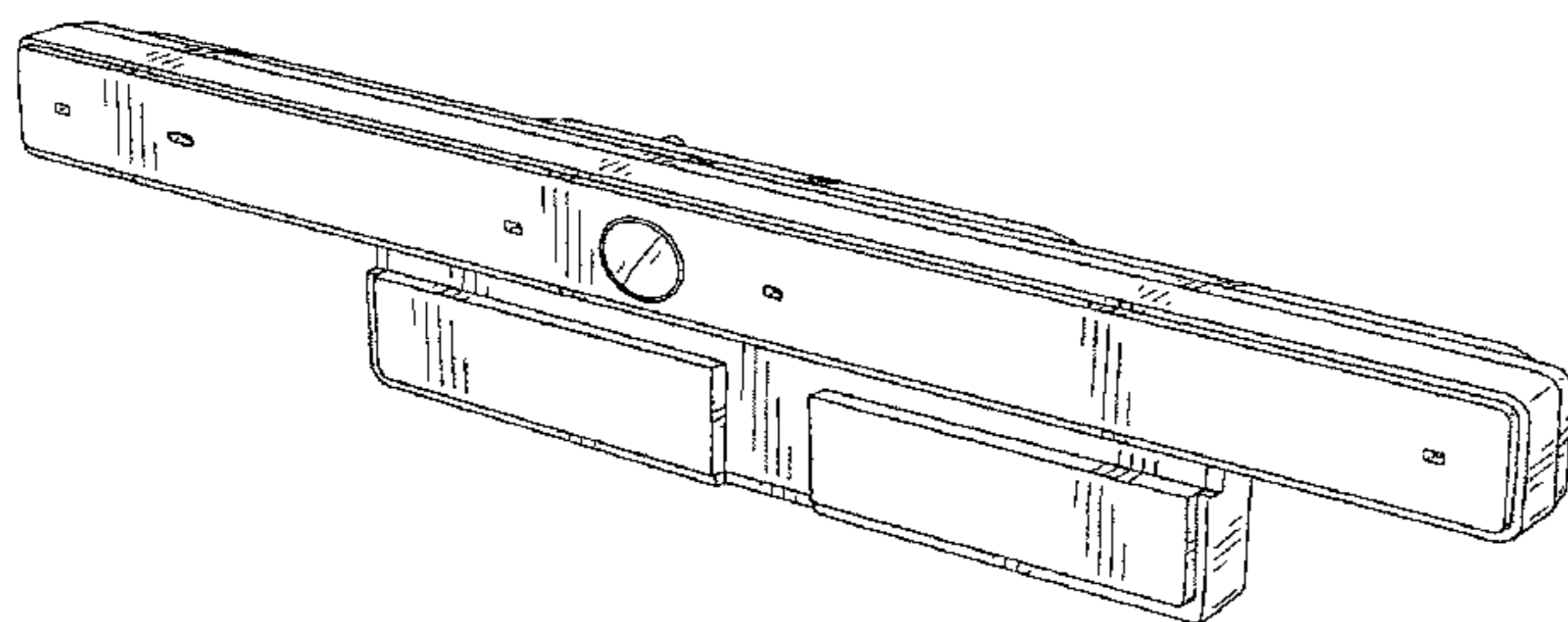


FIG.1

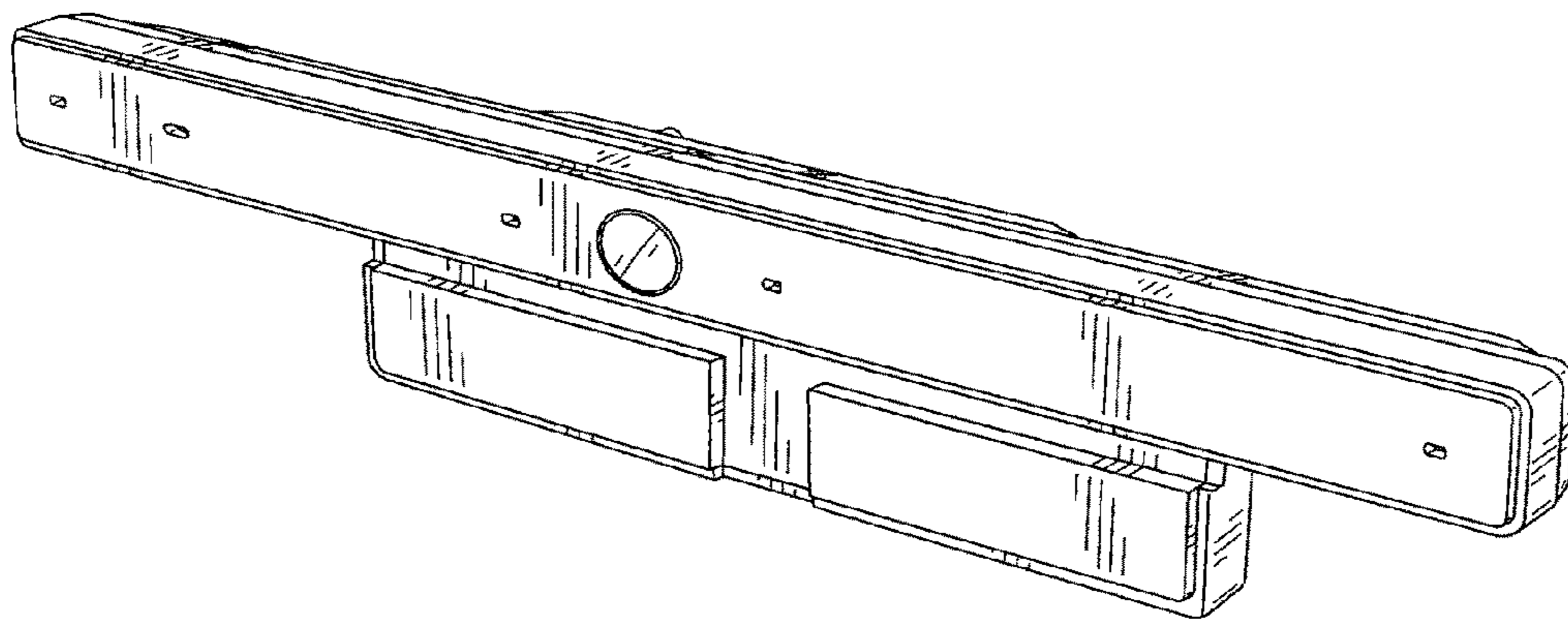


FIG.2

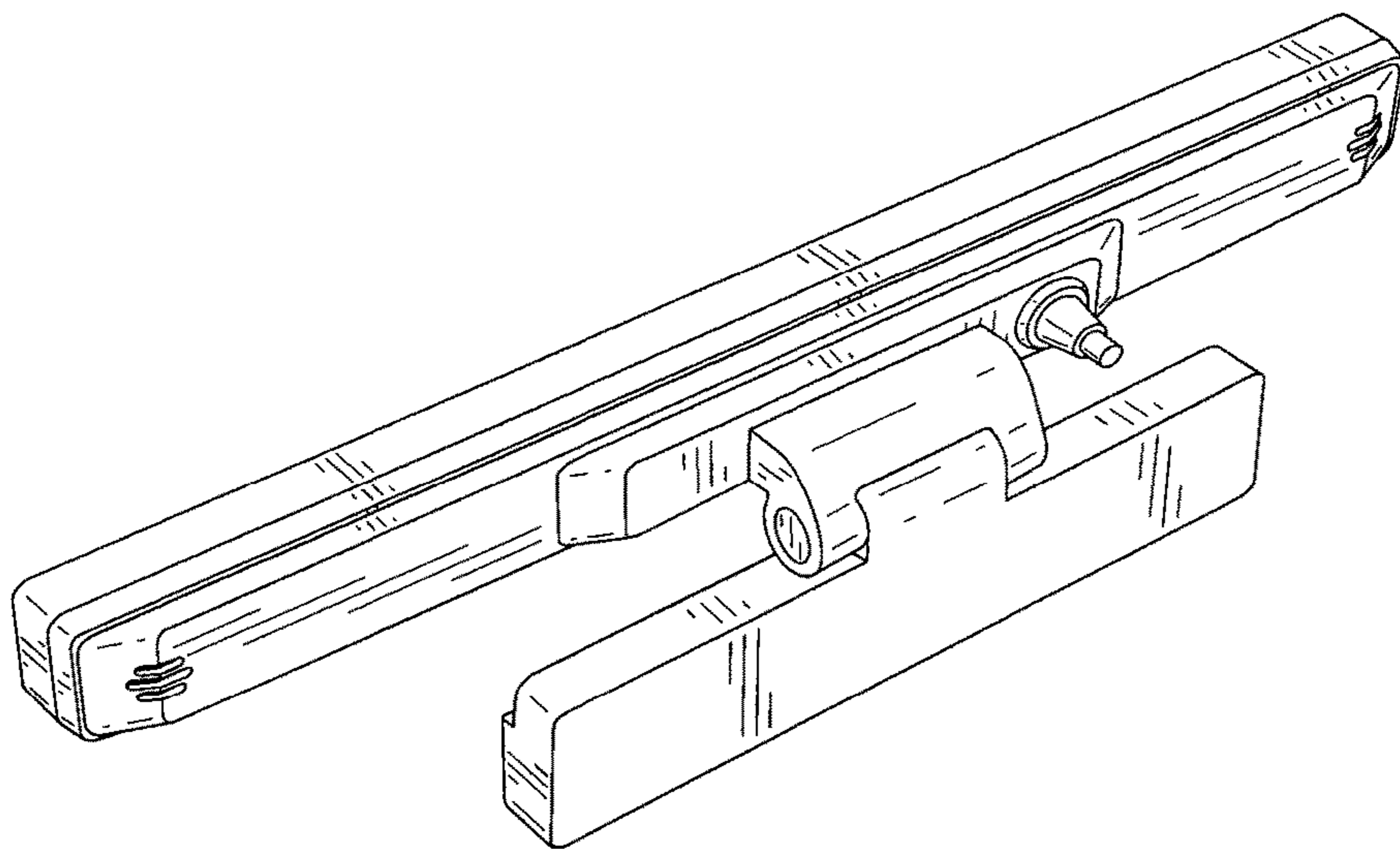


FIG.3

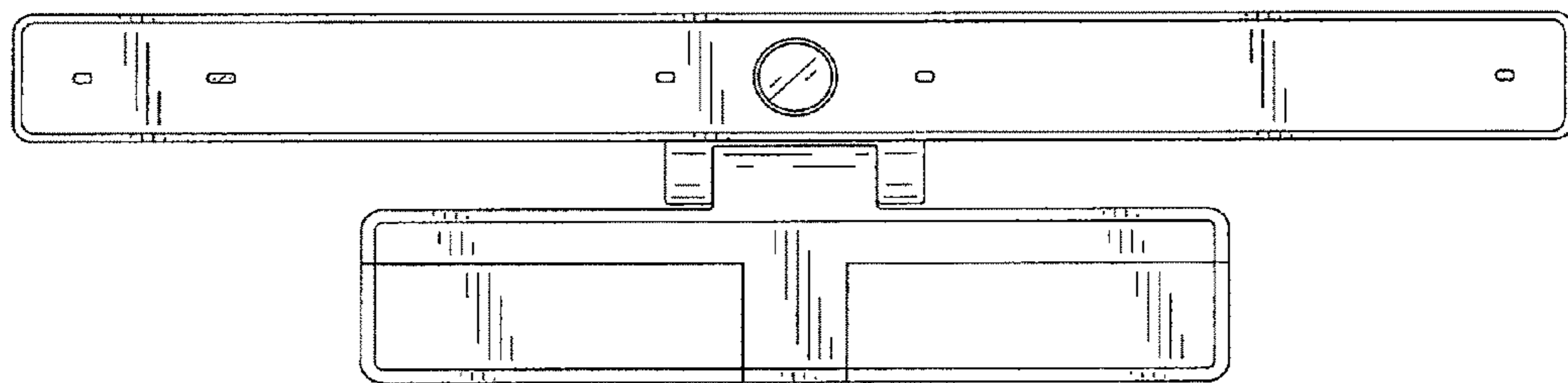


FIG.4

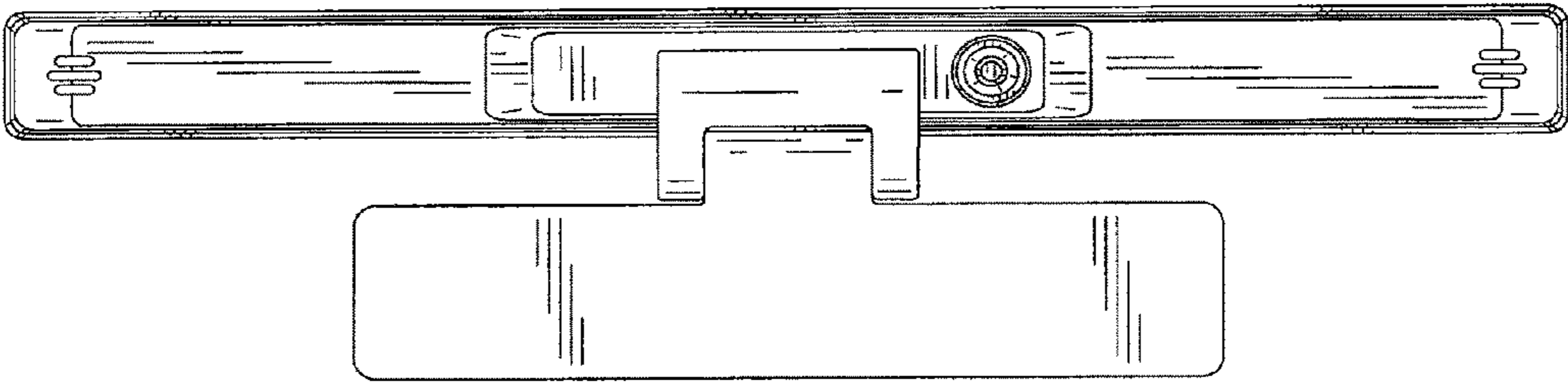


FIG.5

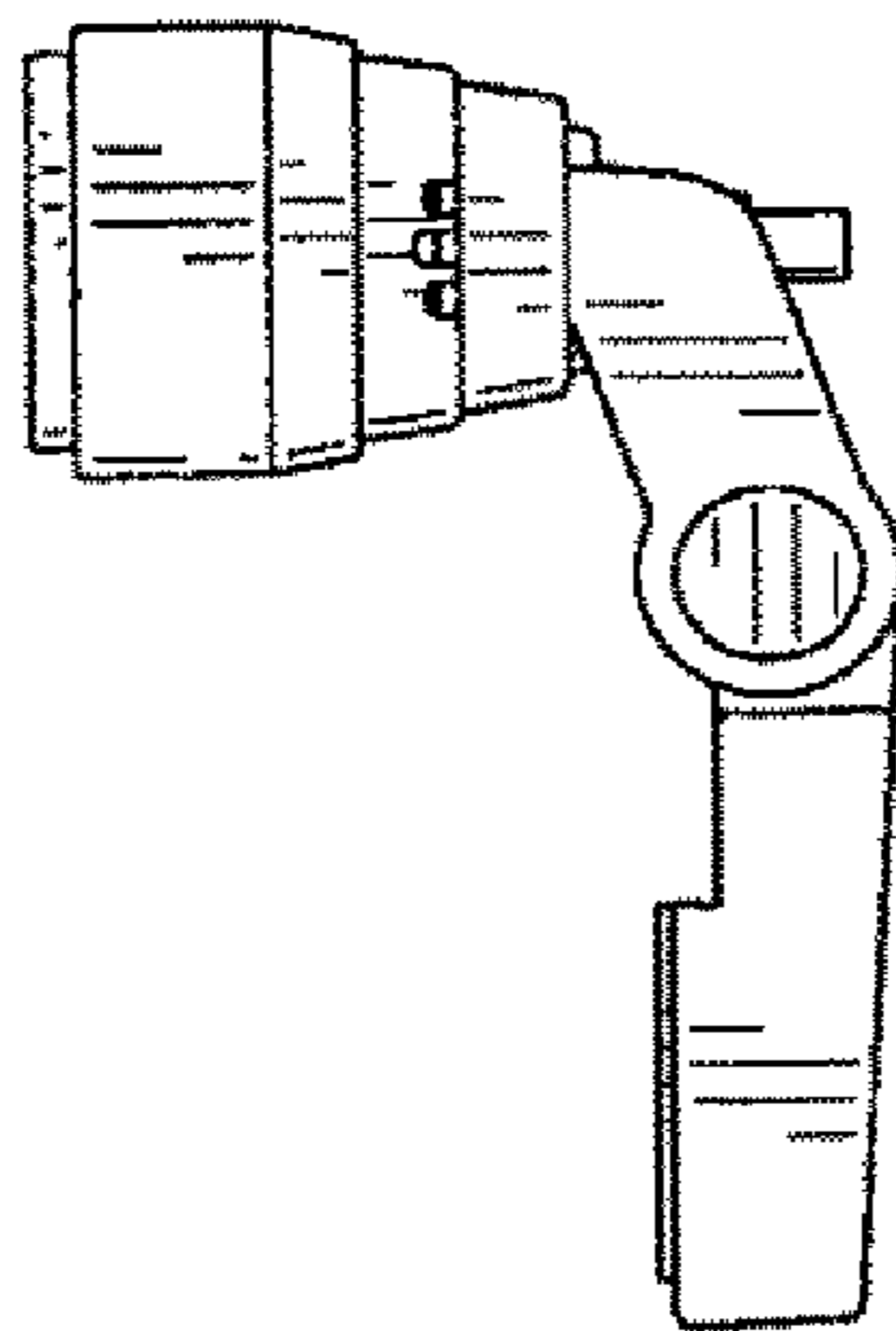


FIG.6

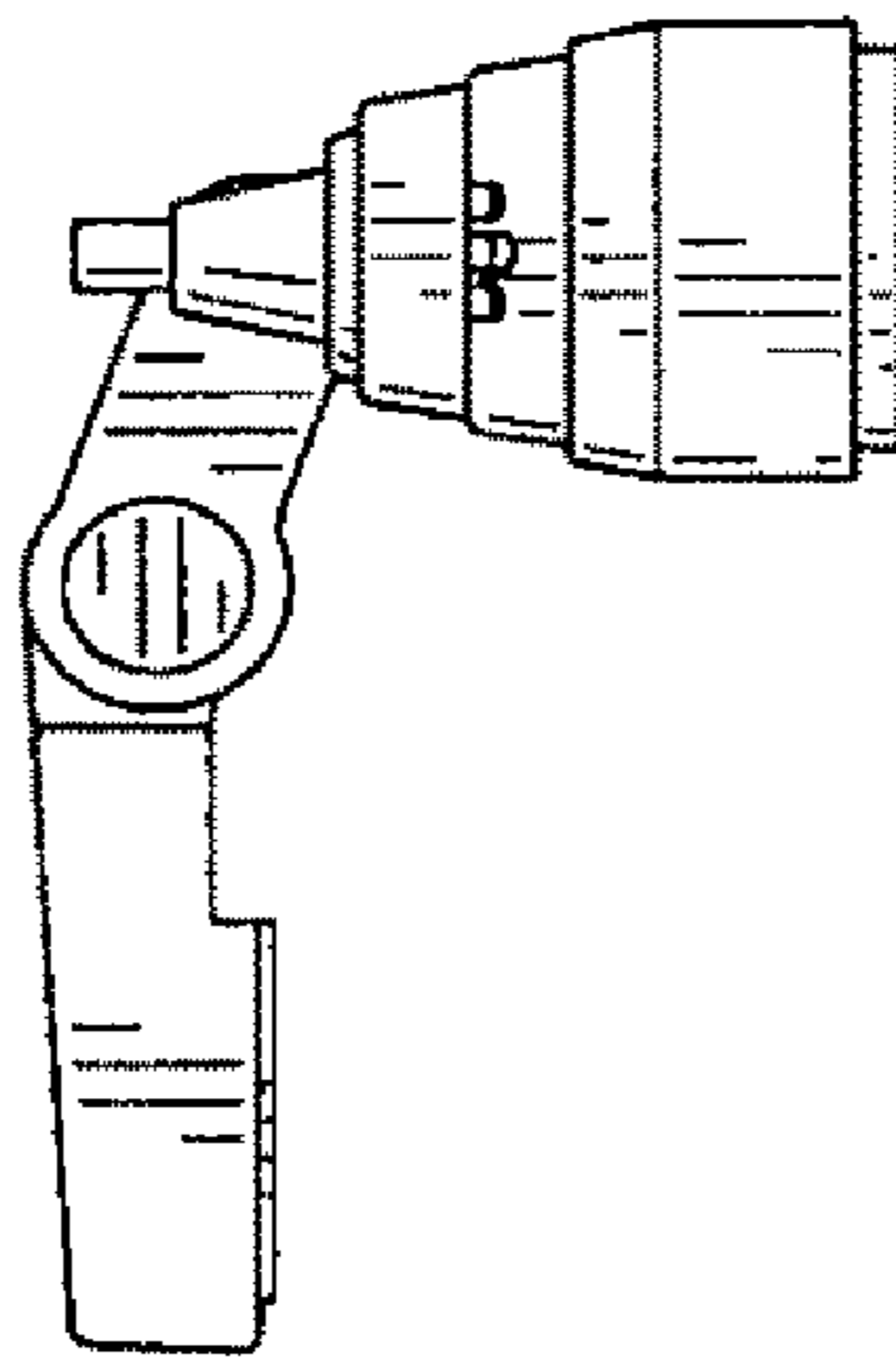


FIG.7

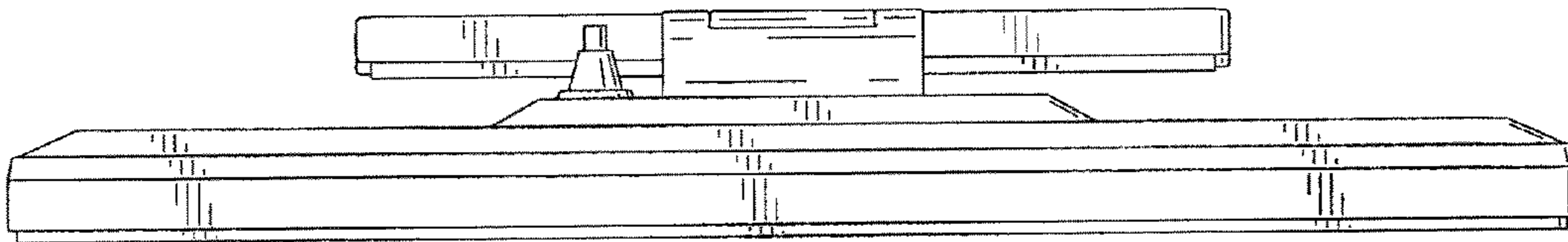




FIG.8

