



US00D674429S

(12) **United States Design Patent**
Woodman

(10) **Patent No.:** **US D674,429 S**
(45) **Date of Patent:** **** Jan. 15, 2013**

(54) **CAMERA HOUSING**

(75) Inventor: **Nicholas D. Woodman**, Sausalito, CA
(US)

(73) Assignee: **Woodman Labs, Inc.**, San Mateo, CA
(US)

(**) Term: **14 Years**

(21) Appl. No.: **29/398,741**

(22) Filed: **Aug. 3, 2011**

(51) **LOC (9) Cl.** **16-01**

(52) **U.S. Cl.** **D16/218; D16/207**

(58) **Field of Classification Search** D16/200,
D16/201, 202, 207, 208, 213, 218, 242;
348/373-374; 396/535-541

See application file for complete search history.

(56) **References Cited**

U.S. PATENT DOCUMENTS

3,418,909	A	*	12/1968	Rabinow	D16/218
D425,924	S	*	5/2000	Burchard et al.	D16/218
D439,593	S	*	3/2001	Enderby et al.	D16/213
D487,104	S	*	2/2004	Obata	D16/218
D535,676	S	*	1/2007	Dayan	D16/218
D550,742	S	*	9/2007	Ishii	D16/200
D605,680	S	*	12/2009	Okada	D16/218
D618,266	S	*	6/2010	Imaeda	D16/218

D639,844	S	*	6/2011	Lee et al.	D16/218
D641,388	S	*	7/2011	Shih et al.	D16/202
D646,313	S	*	10/2011	Woodman	D16/200

* cited by examiner

Primary Examiner — Adir Aronovich

(74) *Attorney, Agent, or Firm* — Fenwick & West LLP

(57) **CLAIM**

The ornamental design for a camera housing, as shown and described.

DESCRIPTION

FIG. 1 is a front and left side perspective view of a camera housing showing my new design;

FIG. 2 is a front and right side perspective view thereof;

FIG. 3 is a front, bottom and left side perspective view thereof;

FIG. 4 is a front elevational view thereof;

FIG. 5 is a rear elevational view thereof;

FIG. 6 is a left side elevational view thereof;

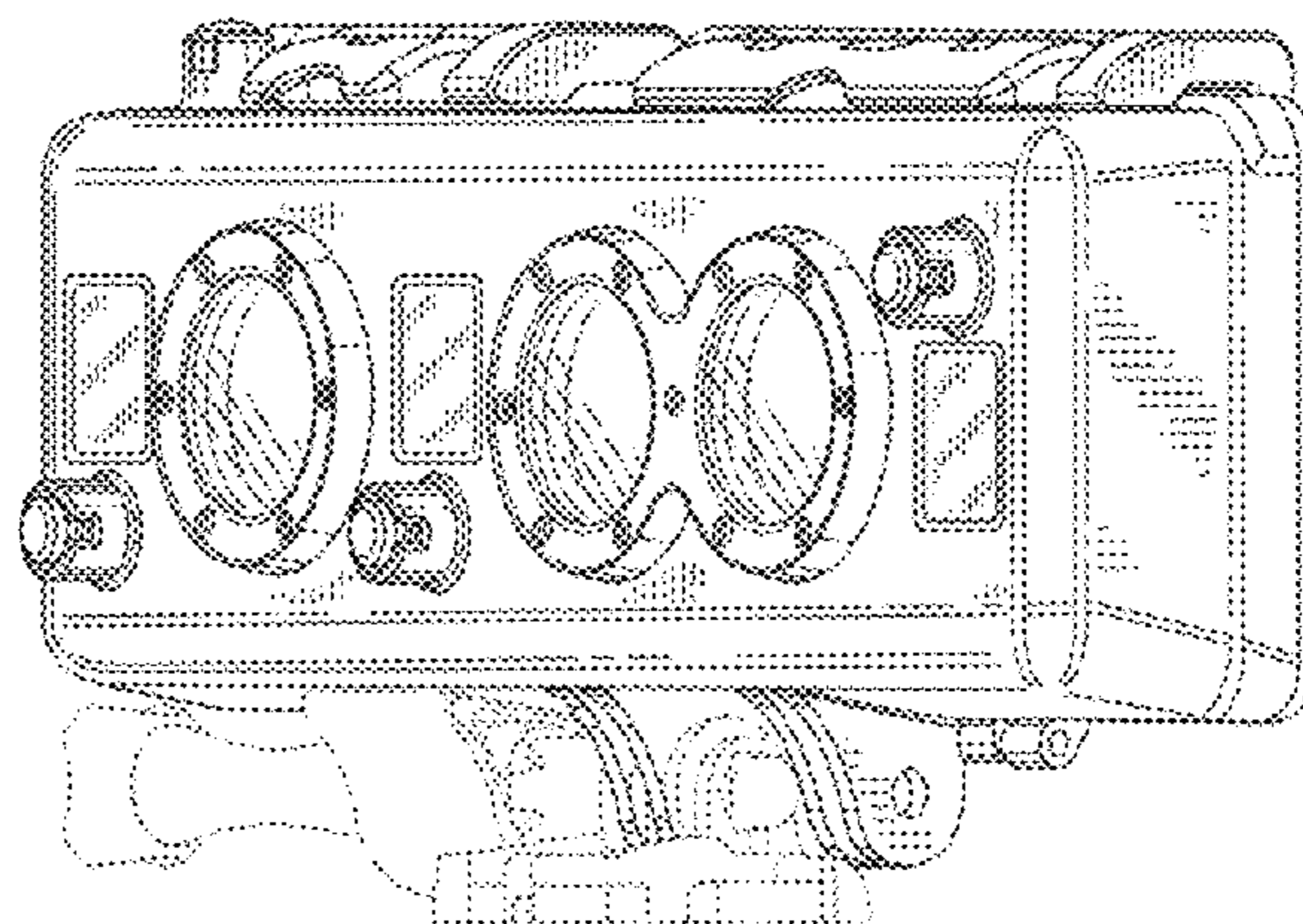
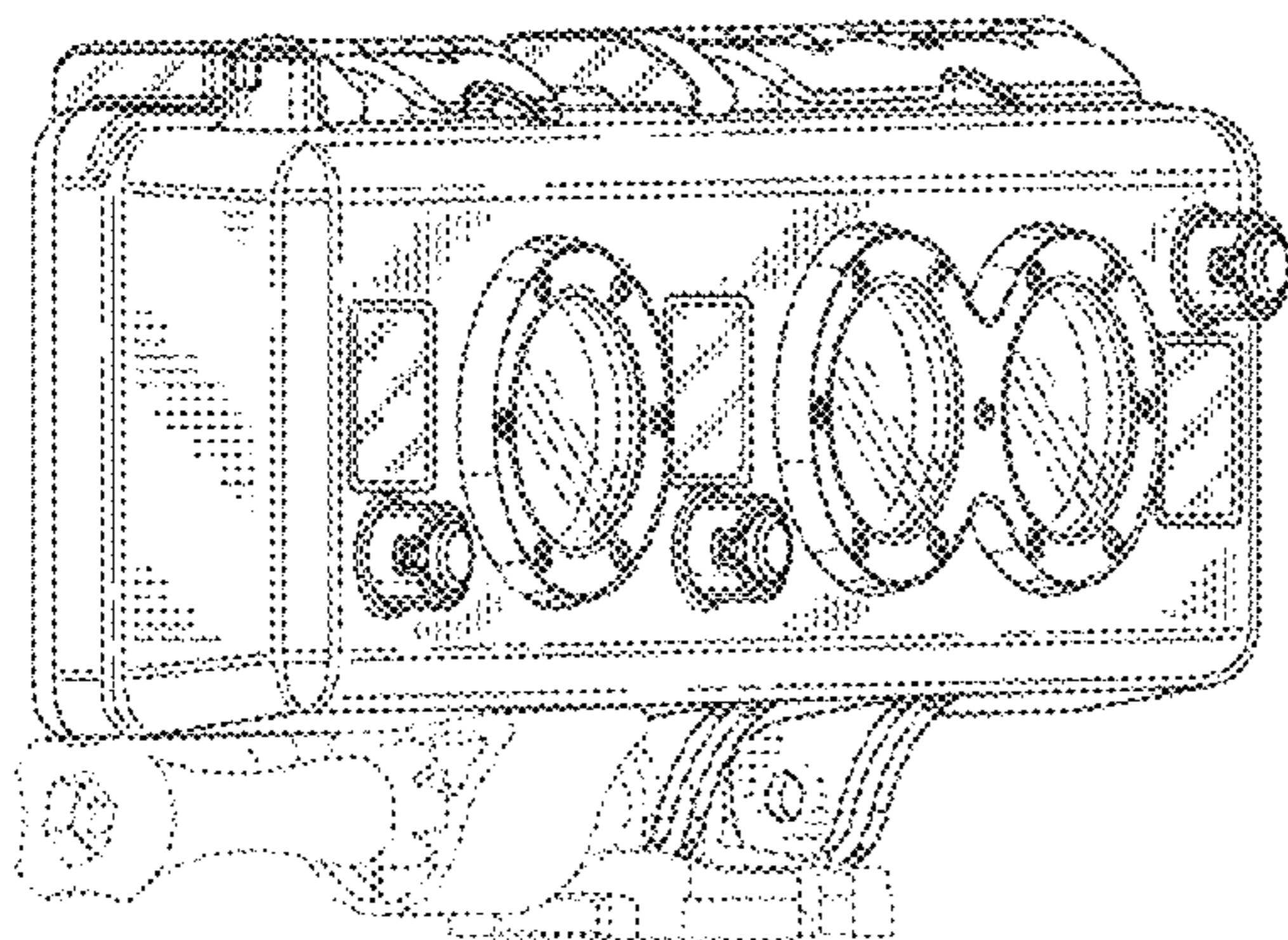
FIG. 7 is a right side elevational view thereof;

FIG. 8 is a top plan view thereof; and,

FIG. 9 is a bottom plan view thereof.

The broken lines in the drawings showing portions of the camera housing are included for the purpose of illustrating environmental structure and form no part of the claimed design.

1 Claim, 8 Drawing Sheets



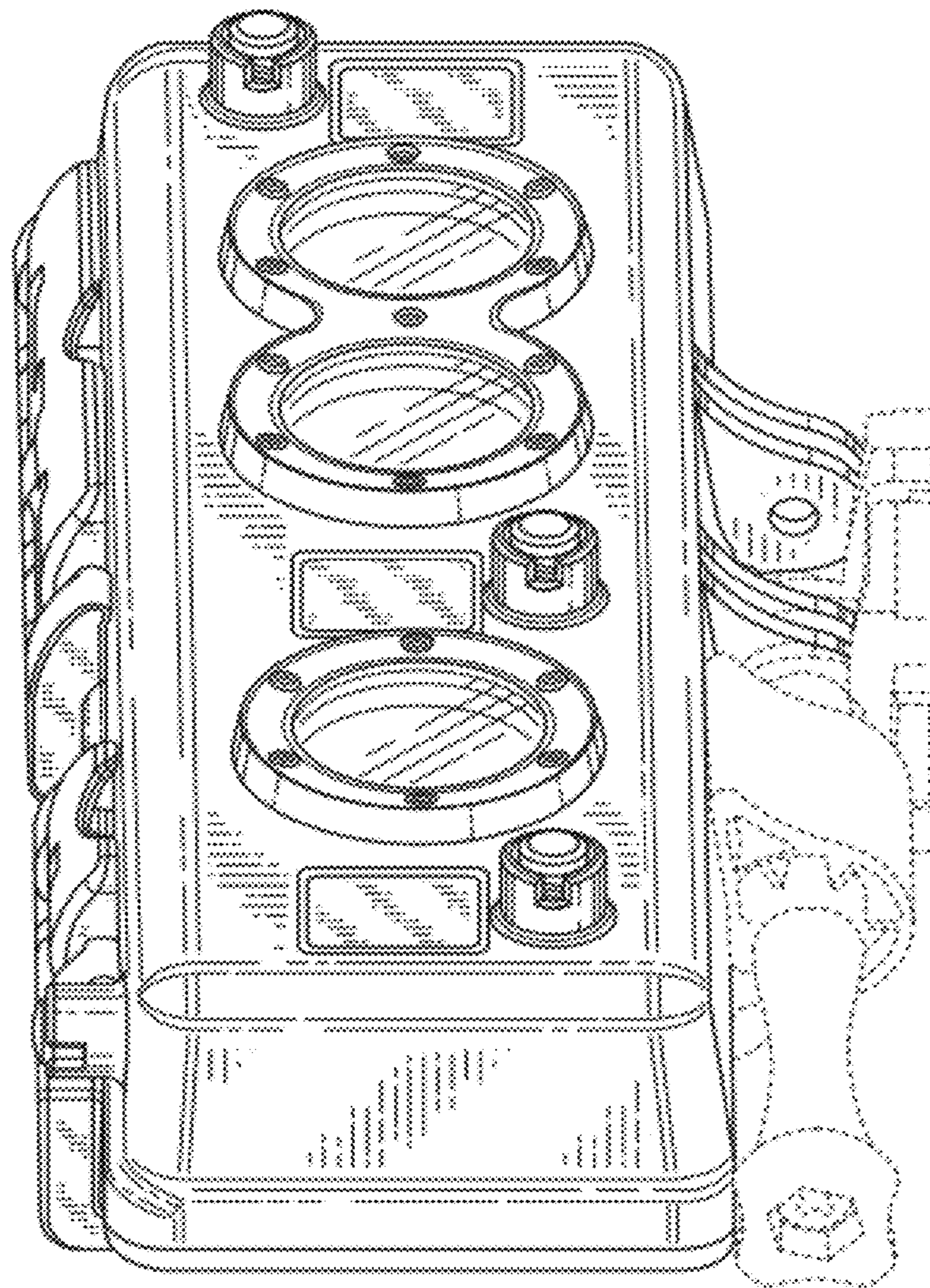


FIG. 1

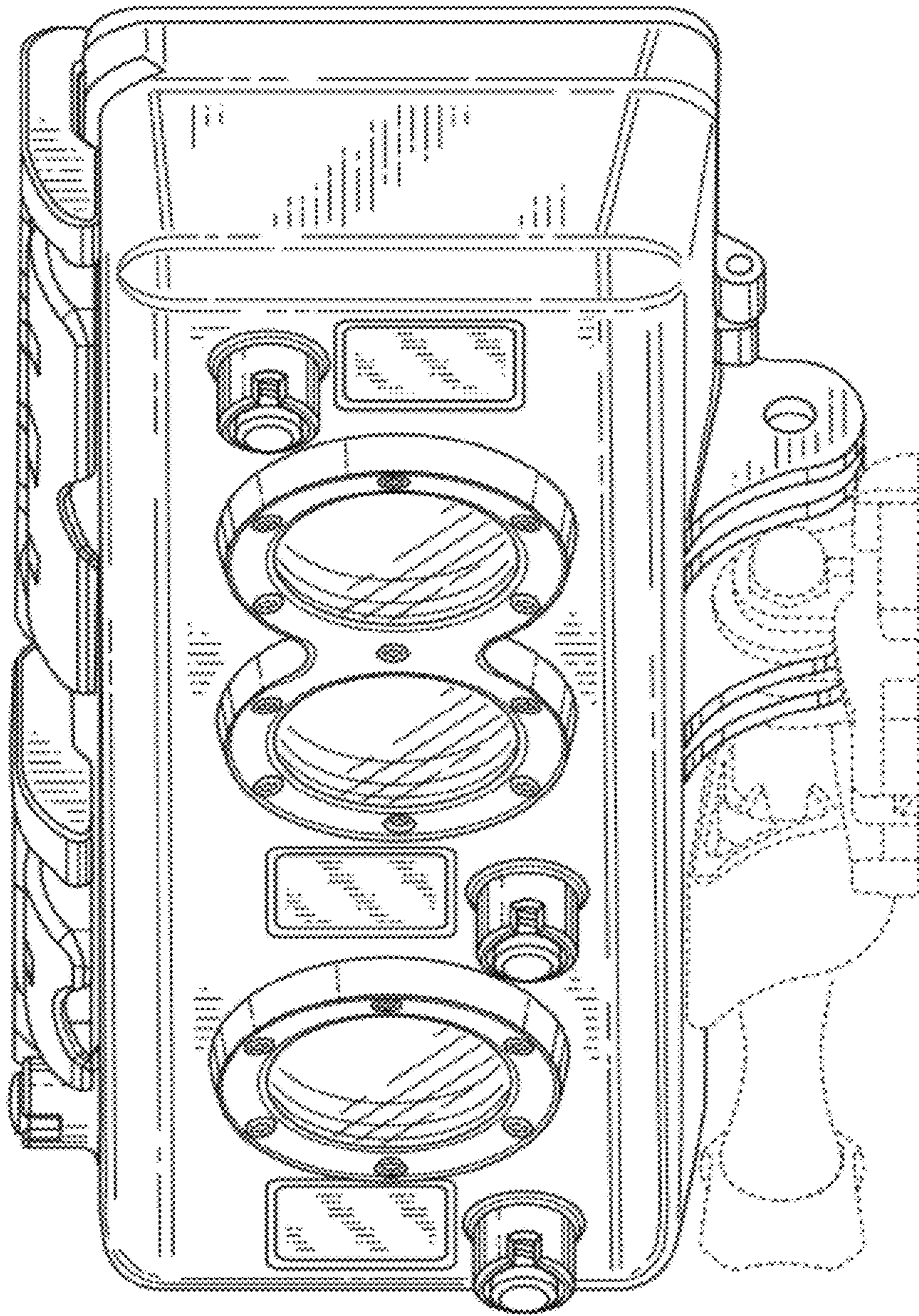


FIG. 2

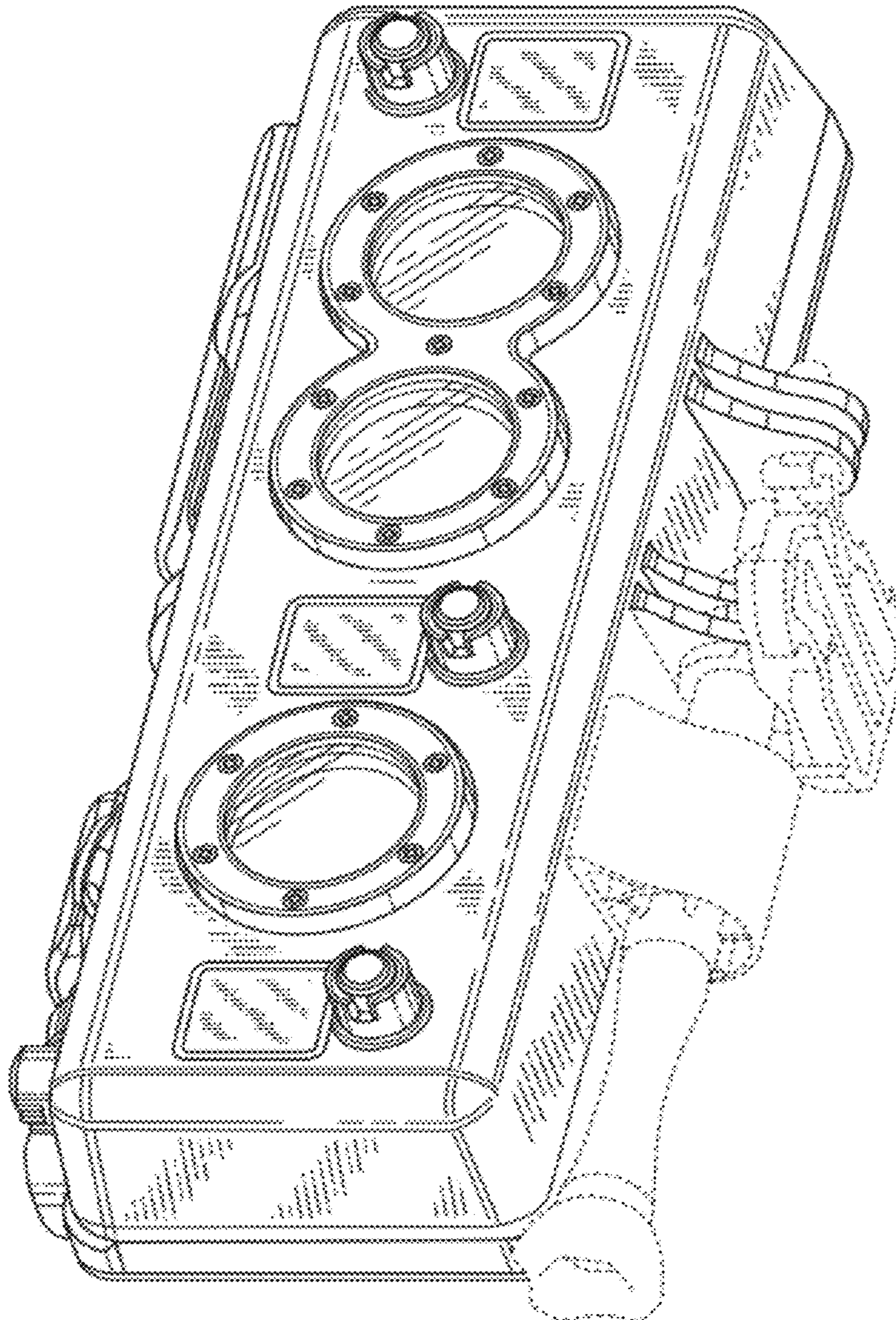


FIG. 3

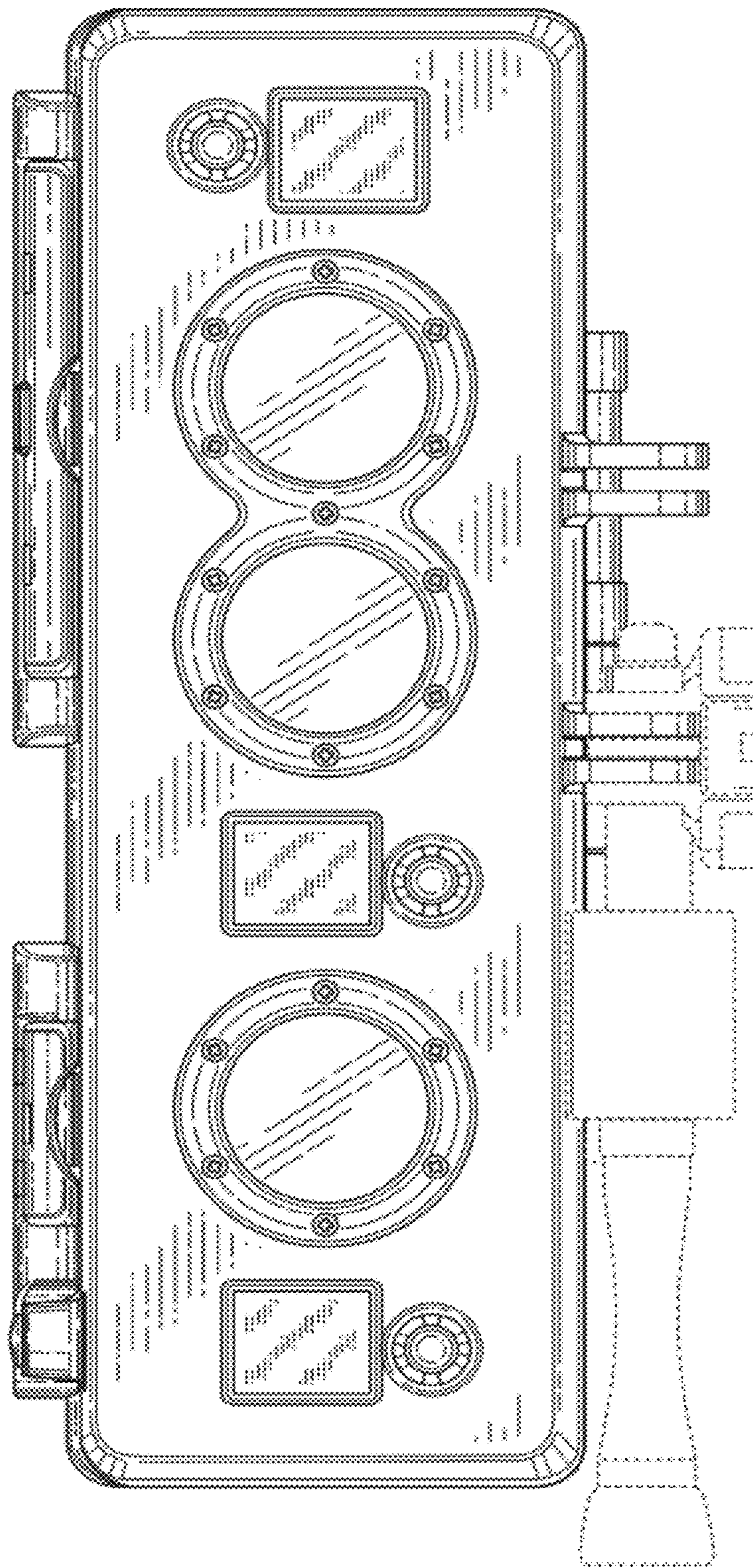


FIG. 4

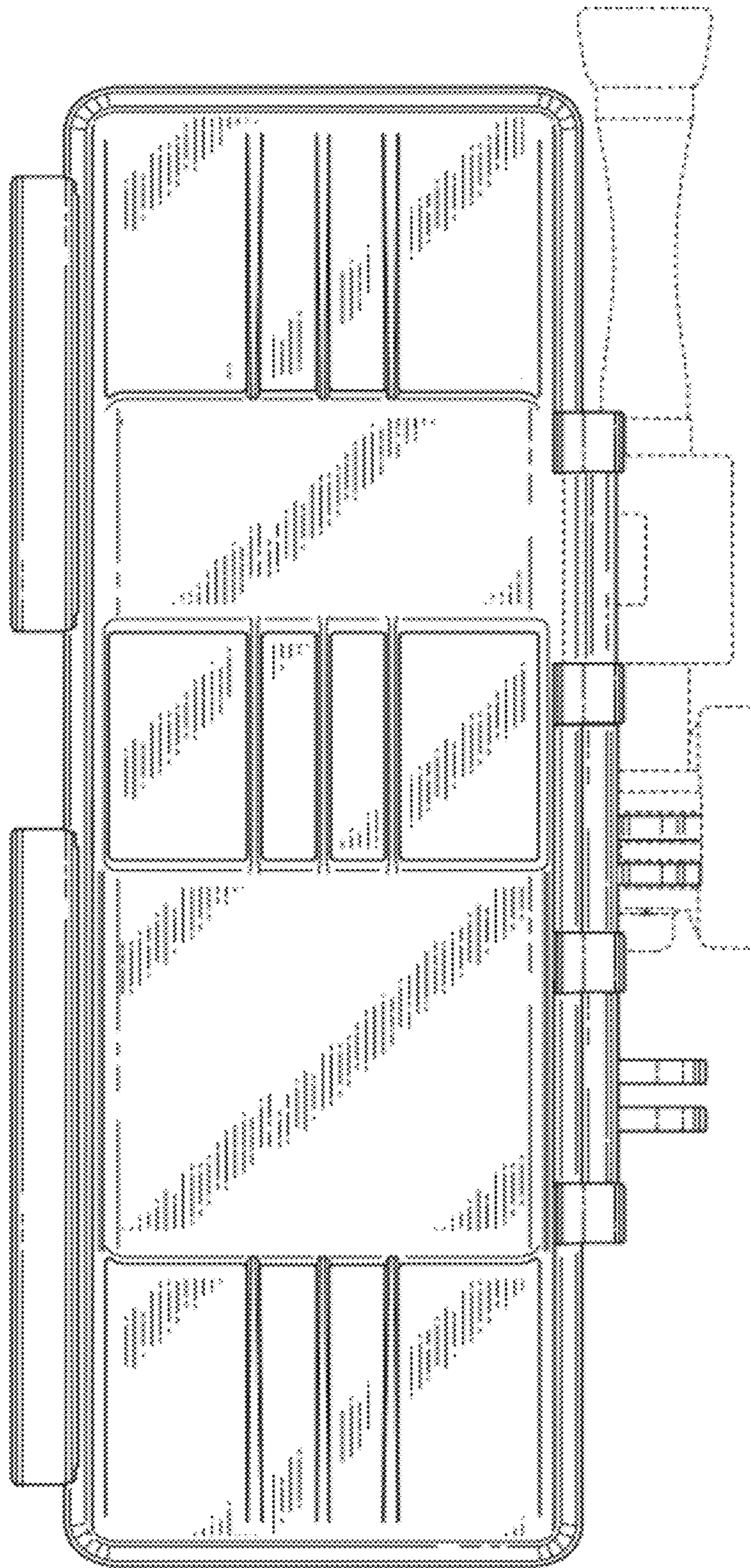


FIG. 5

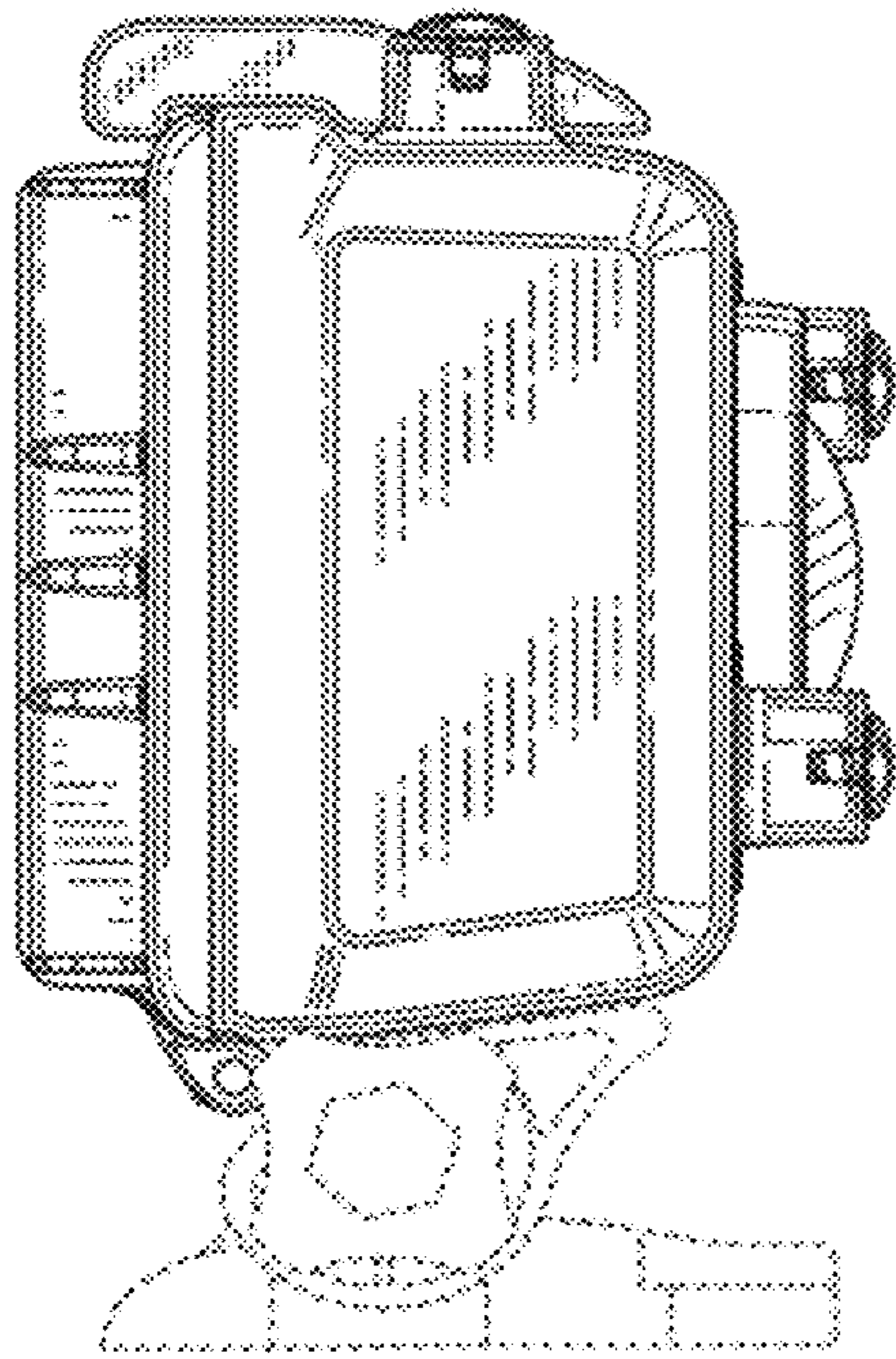


FIG. 6

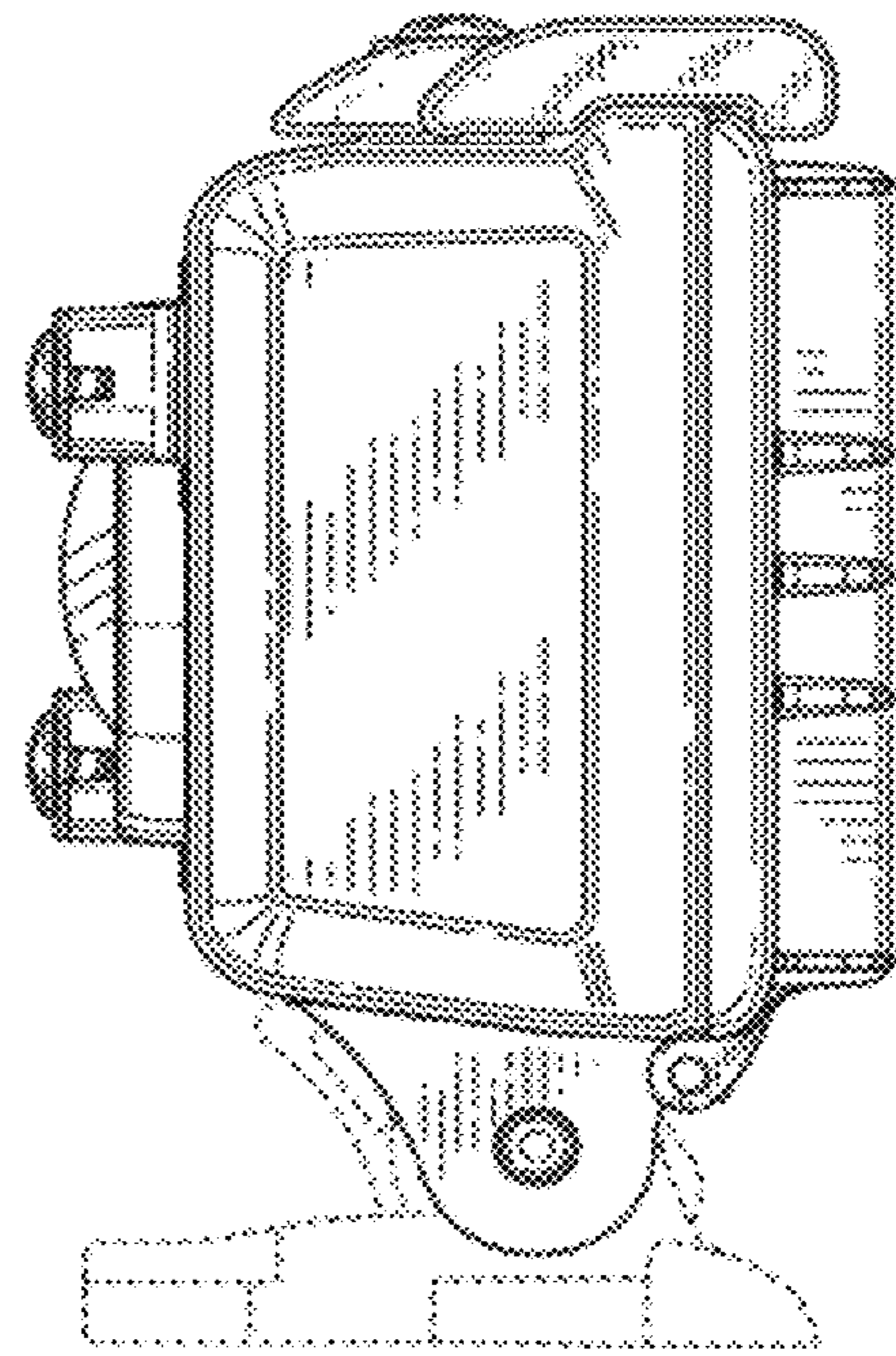


FIG. 7

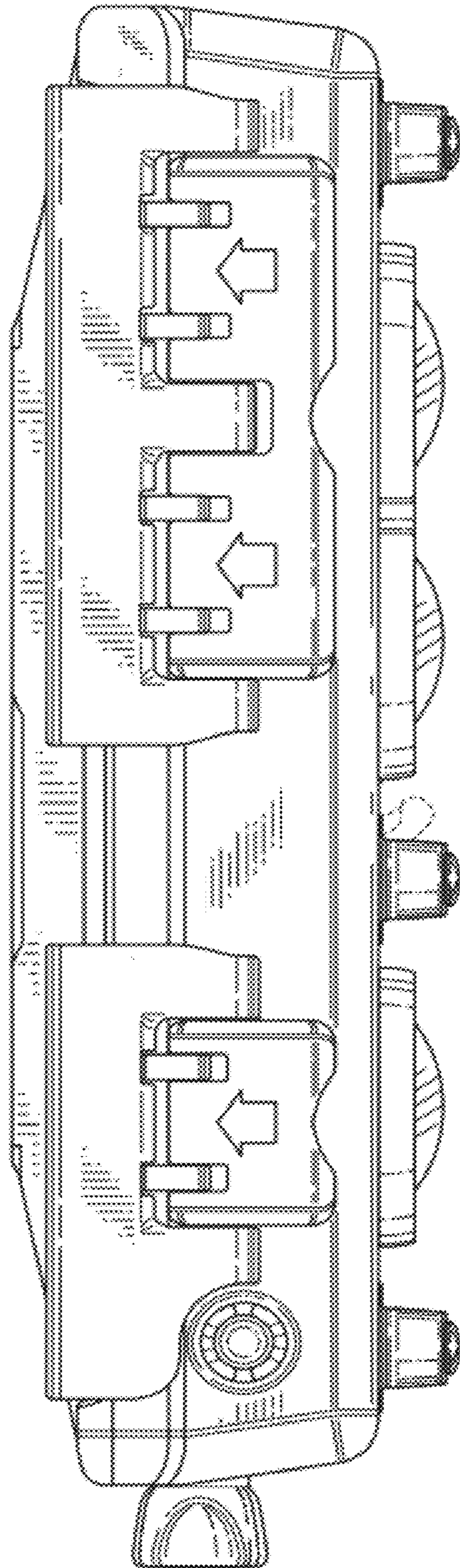


FIG. 8

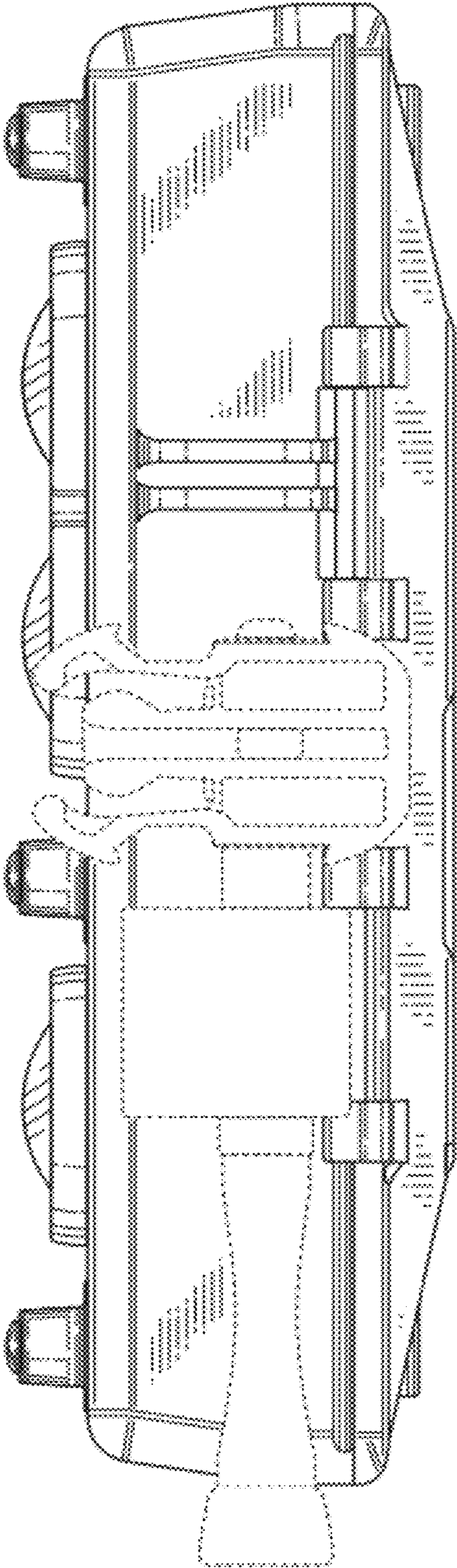


FIG. 9