



US00D674427S

(12) **United States Design Patent**
Khamsepoor et al.

(10) **Patent No.:** **US D674,427 S**
(45) **Date of Patent:** **** Jan. 15, 2013**

(54) **WEBCAM WITH FOLDABLE CASE**

(56) **References Cited**

(75) Inventors: **Ladan Khamsepoor**, Santa Clara, CA (US); **Kenneth Ling**, San Francisco, CA (US); **Allan Freas Velzy**, Burlingame, CA (US); **John Kiechel**, Oakland, CA (US)

U.S. PATENT DOCUMENTS

D533,887	S	*	12/2006	Logan et al.	D16/208
D566,148	S	*	4/2008	Akita	D16/202
D579,967	S	*	11/2008	Jones et al.	D16/202
7,736,071	B2	*	6/2010	Wahl et al.	396/419
D627,813	S	*	11/2010	Chen et al.	D16/202
D631,079	S	*	1/2011	Tzeng	D16/202

(73) Assignee: **Logitech Europe S.A.**, Morges (CH)

* cited by examiner

(**) Term: **14 Years**

Primary Examiner — Adir Aronovich

(74) *Attorney, Agent, or Firm* — Kilpatrick Townsend & Stockton LLP

(21) Appl. No.: **29/425,397**

(57) **CLAIM**

The ornamental design for a webcam with foldable case, as shown and described.

(22) Filed: **Jun. 22, 2012**

DESCRIPTION

Related U.S. Application Data

(62) Division of application No. 29/349,423, filed on Mar. 31, 2010, now Pat. No. Des. 665,439.

(51) **LOC (9) Cl.** **16-01**

(52) **U.S. Cl.** **D16/202**

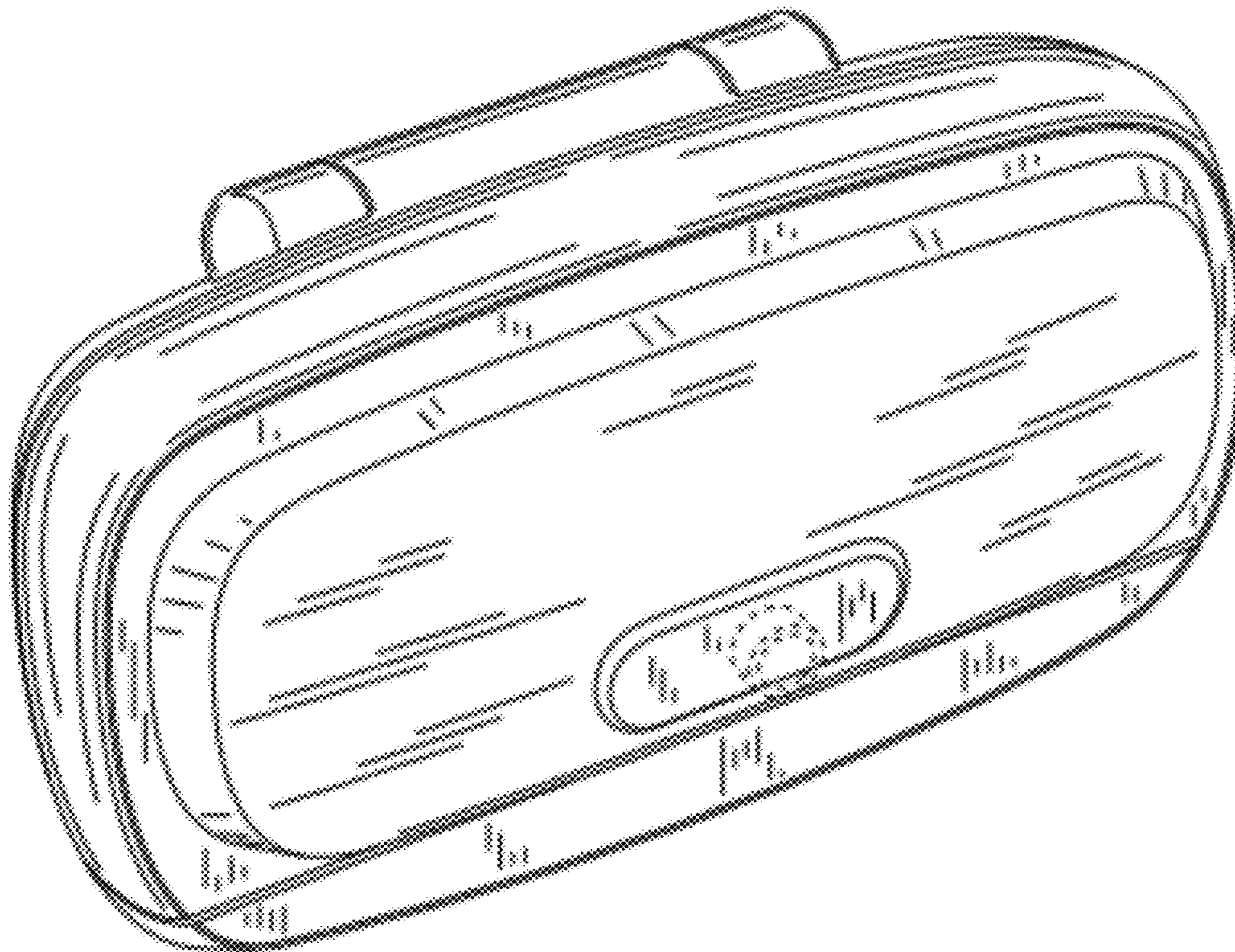
(58) **Field of Classification Search** D16/200–204,
D16/208, 218, 242; 348/373, 375; 396/419,
396/428, 535

FIG. 1 is a front perspective view of a webcam with foldable case showing my new design;
FIG. 2 is a bottom plan view thereof;
FIG. 3 is a top plan view thereof;
FIG. 4 is front elevation view thereof;
FIG. 5 is a rear elevation view thereof;
FIG. 6 is a right side elevation view; and,
FIG. 7 is a left side elevation view.

The portion of the webcam in broken lines is shown for illustrative purposes only and forms no part of the claimed design.

See application file for complete search history.

1 Claim, 3 Drawing Sheets



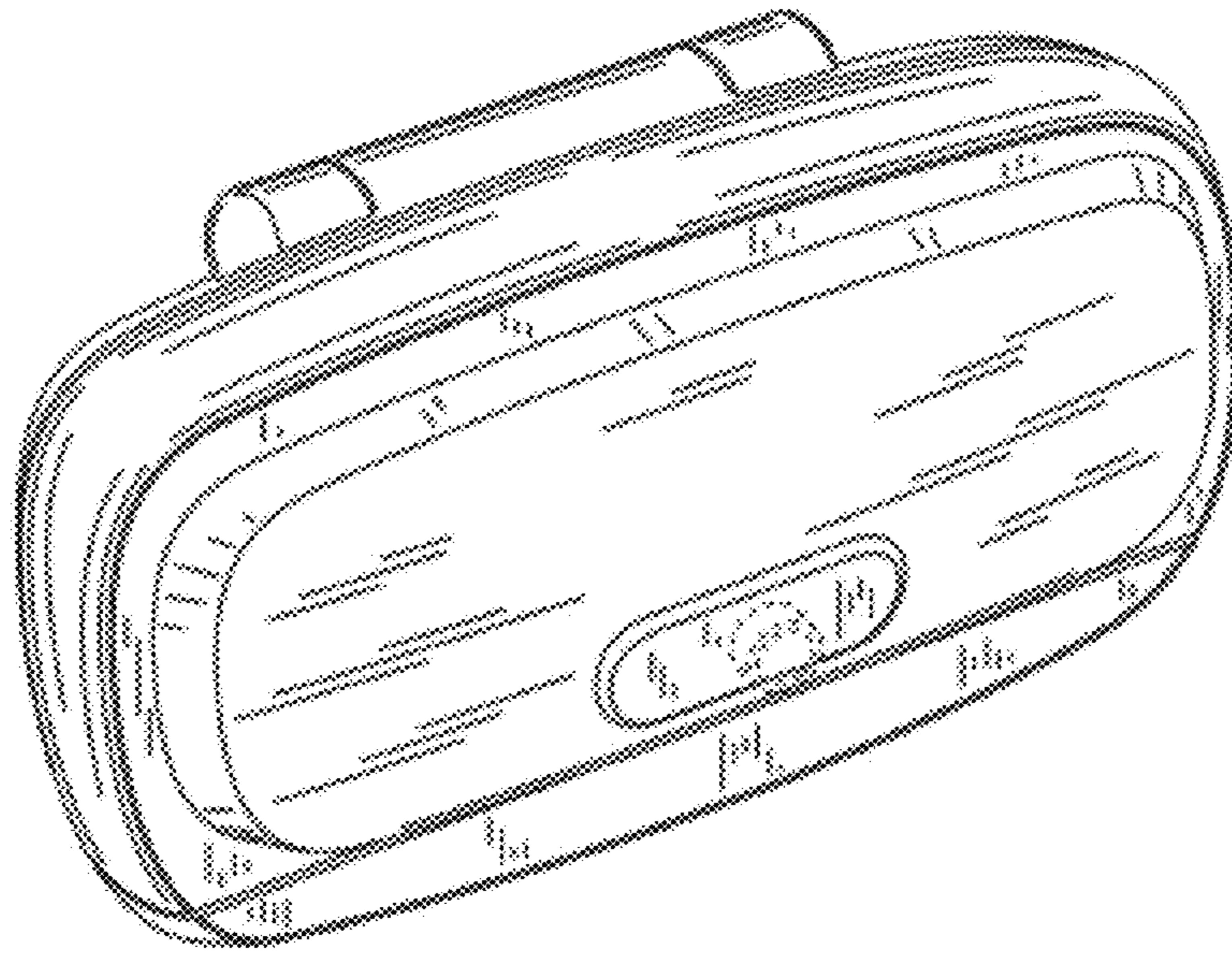


FIG. 1

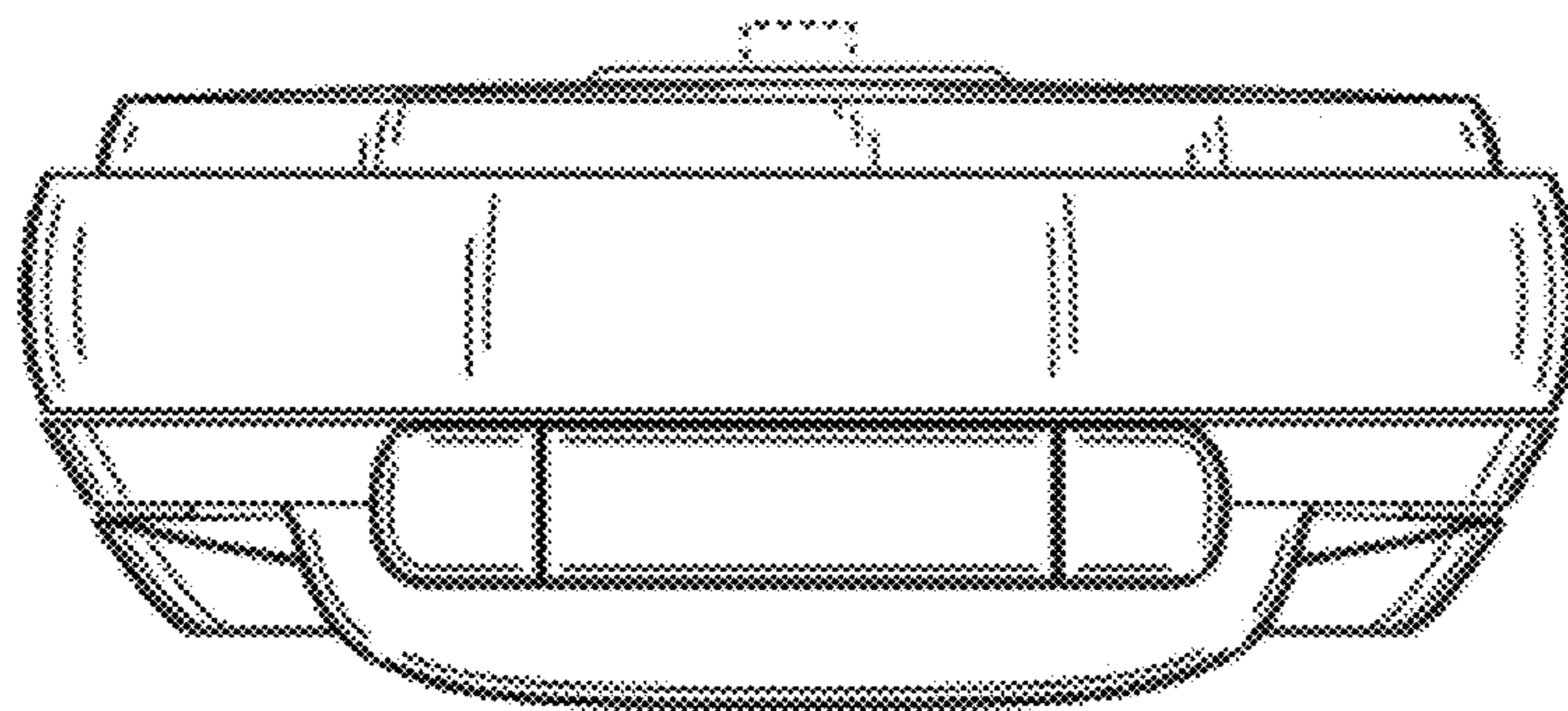


FIG. 2

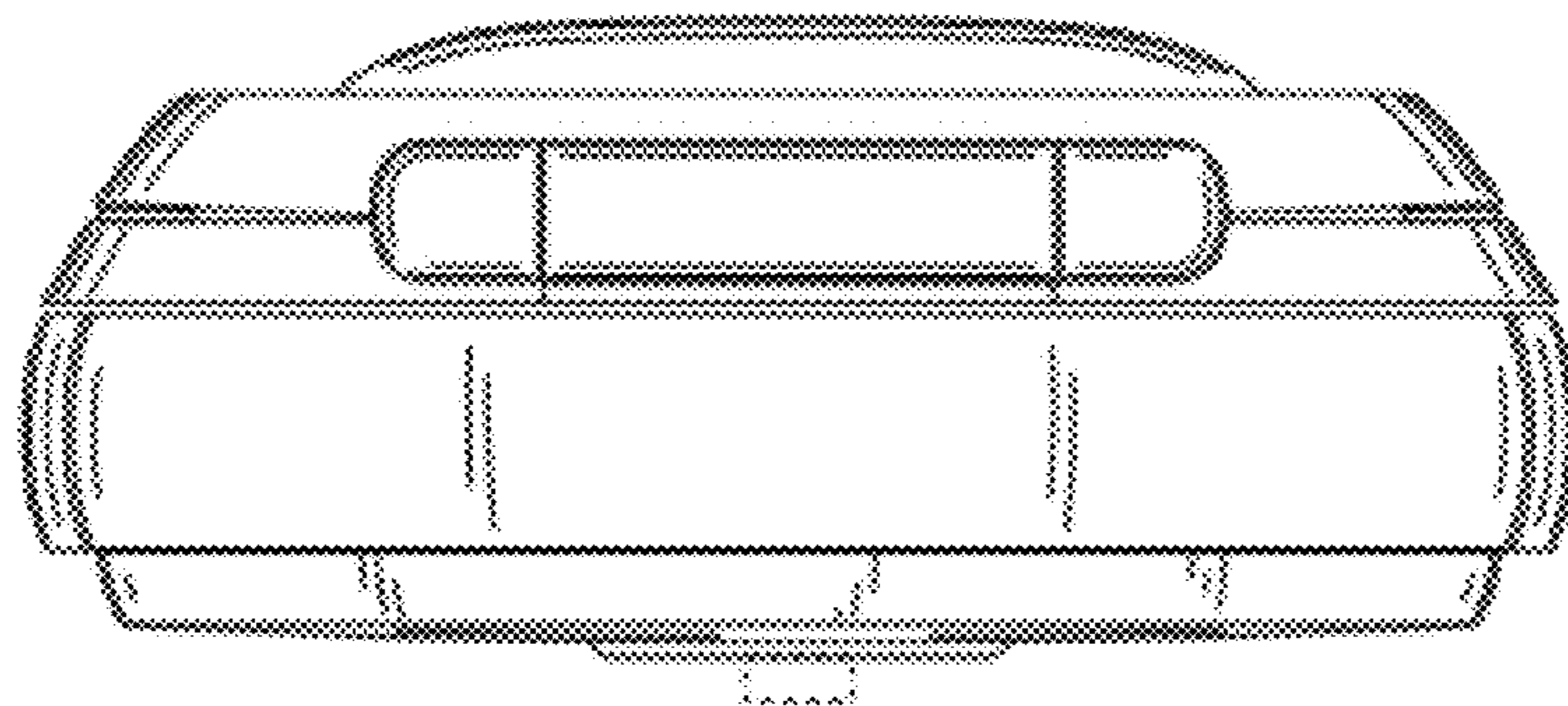


FIG. 3

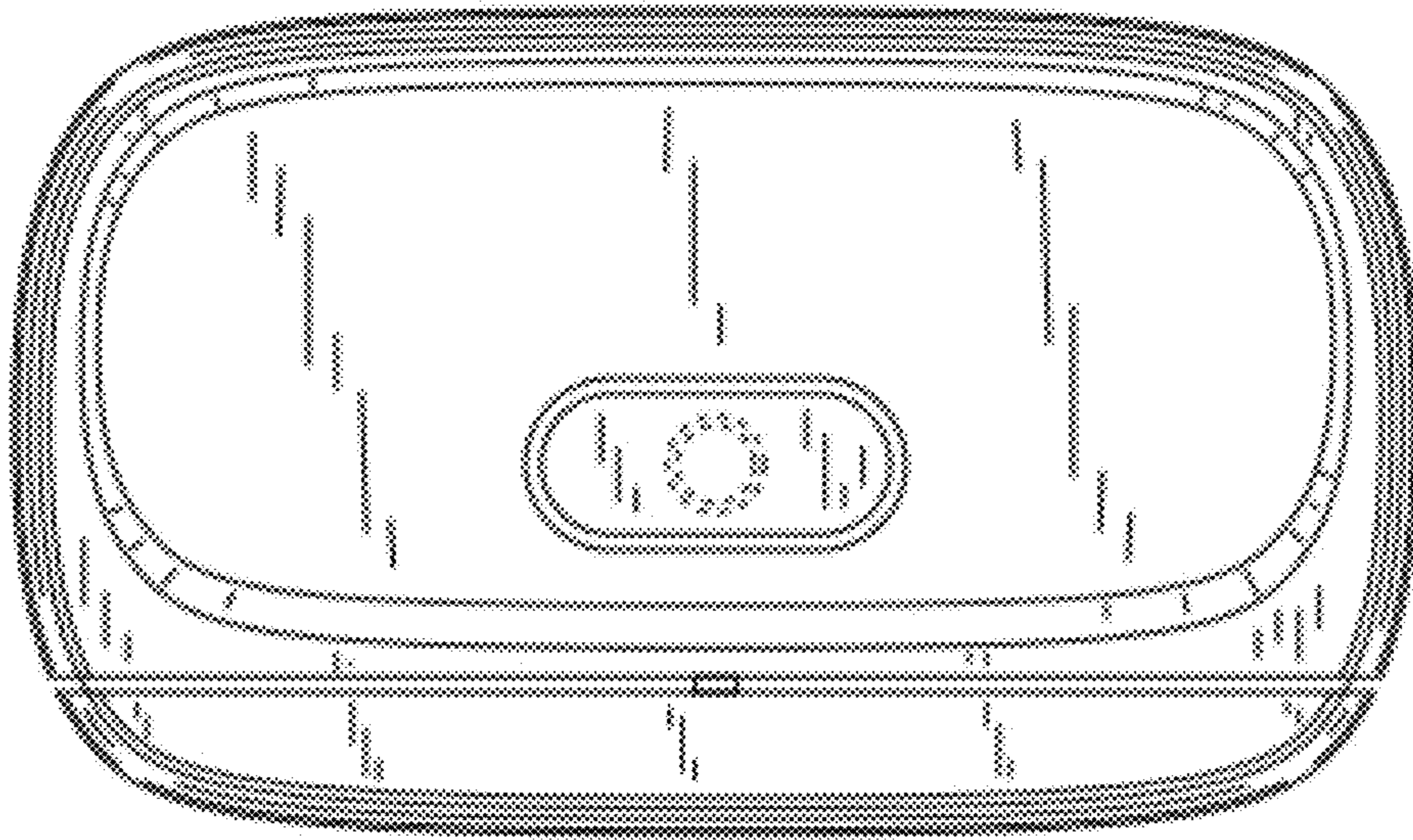


FIG. 4

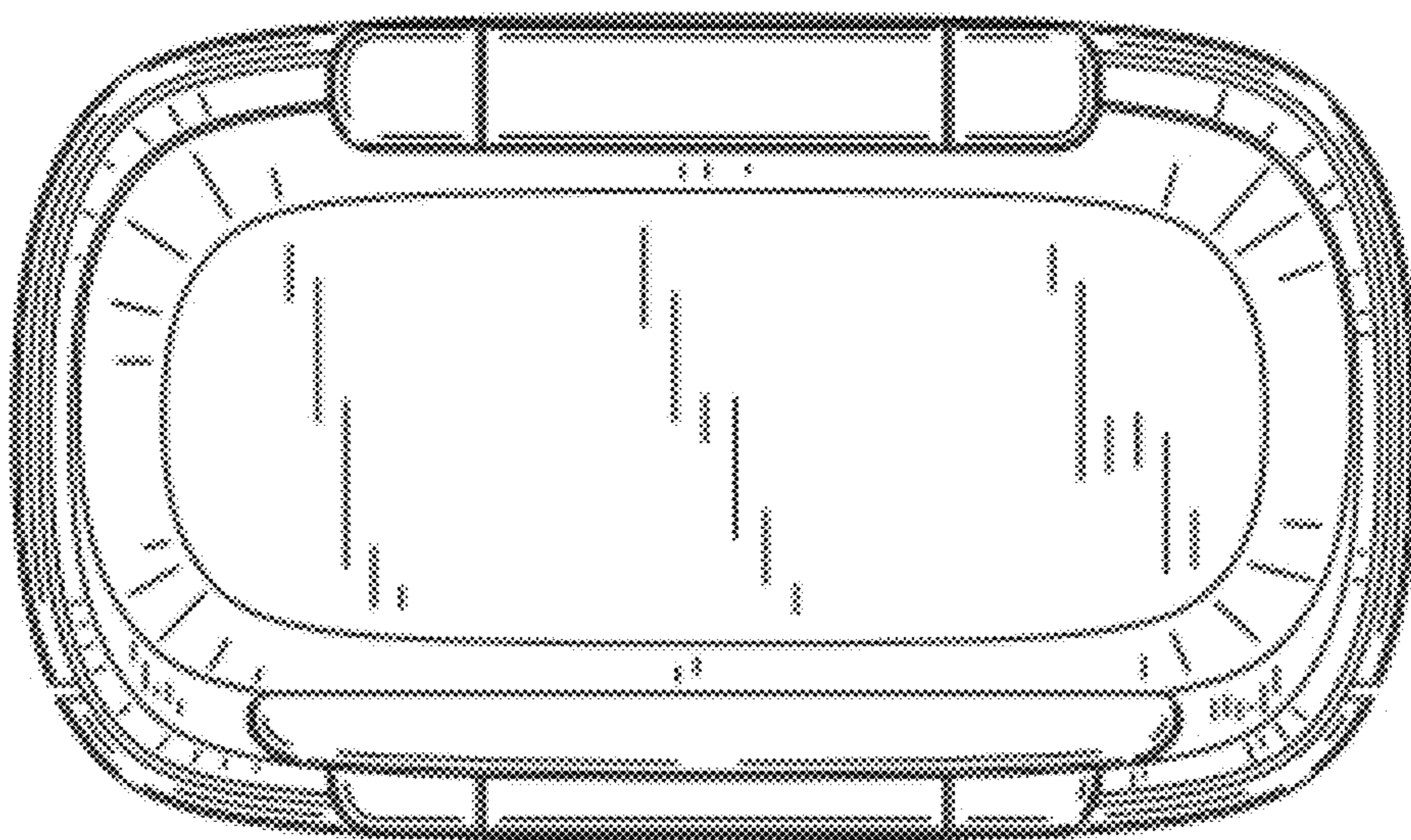


FIG. 5

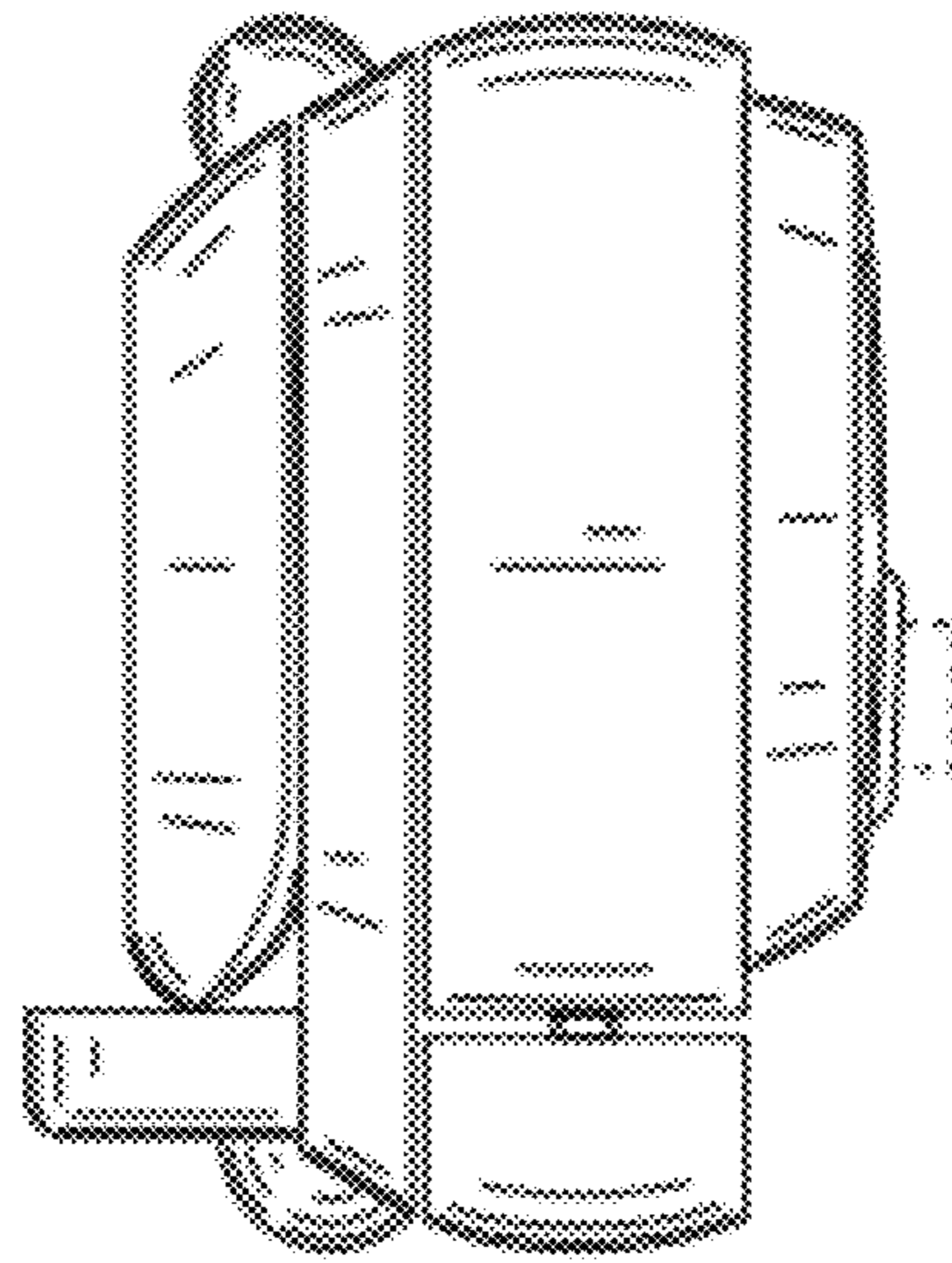


FIG. 6

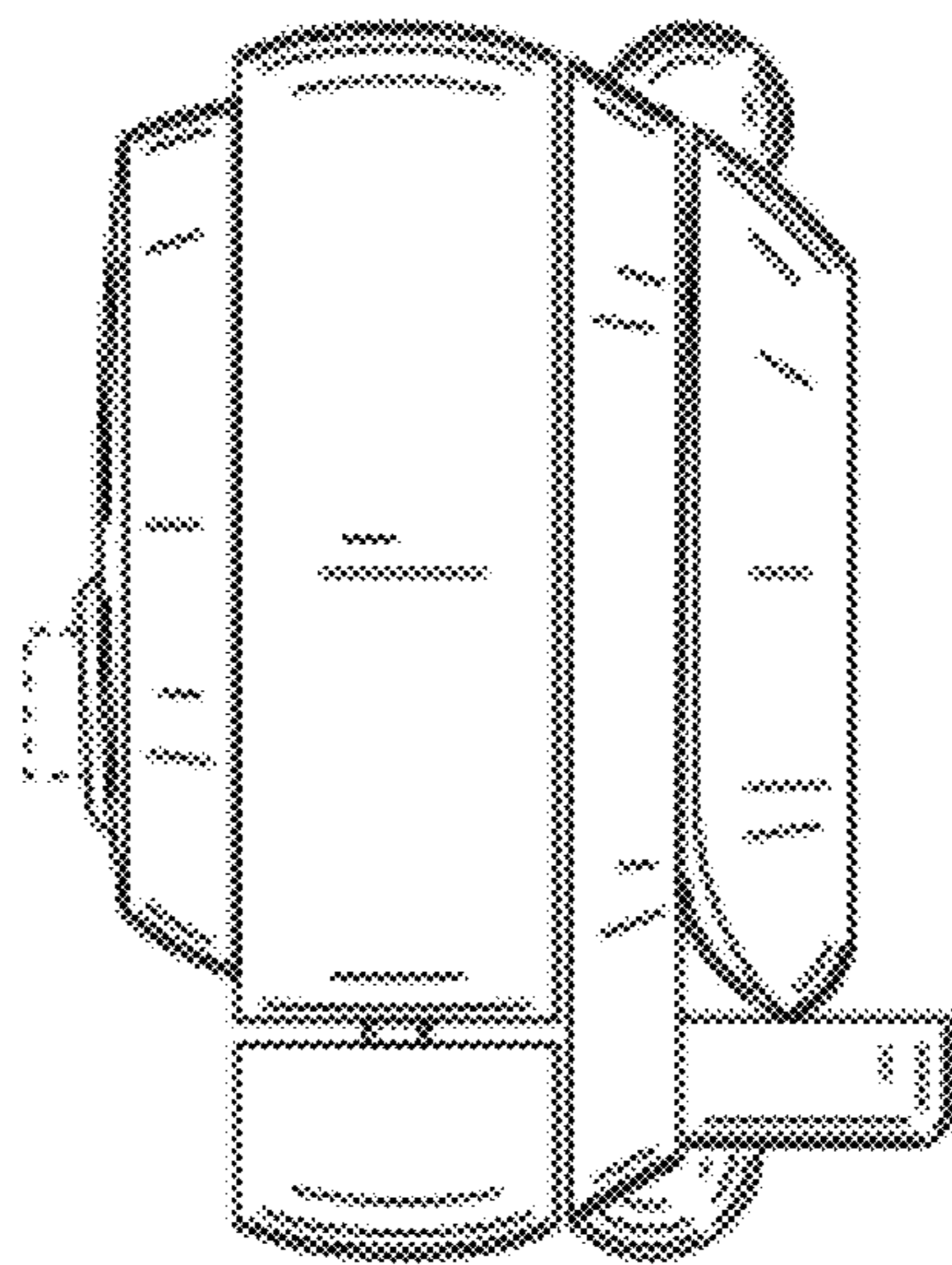


FIG. 7