

US00D674424S

(12) **United States Design Patent**
Apothéloz

(10) **Patent No.:** **US D674,424 S**
(45) **Date of Patent:** **** Jan. 15, 2013**

(54) **MICROSCOPE**

(75) **Inventor:** **Christophe Apothéloz, Zurich (CH)**

(73) **Assignee:** **Leica Microsystems (Schweiz) AG, Heerbrugg (CH)**

(**) **Term:** **14 Years**

(21) **Appl. No.:** **29/414,715**

(22) **Filed:** **Mar. 2, 2012**

(30) **Foreign Application Priority Data**

Sep. 8, 2011 (EM) 001914185-0001

(51) **LOC (9) Cl.** **16-06**

(52) **U.S. Cl.** **D16/131**

(58) **Field of Classification Search** D16/131,
D16/130; 359/381, 382, 383, 384, 385, 375,
359/376, 363, 372, 377, 379, 378, 368, 388,
359/390, 393, 392; 250/201.3; 362/190

See application file for complete search history.

(56) **References Cited**

U.S. PATENT DOCUMENTS

2,351,736	A *	6/1944	Benford	359/390
2,691,918	A *	10/1954	Krasniewicz et al.	359/363
2,863,989	A *	12/1958	Wrigglesworth	362/335
D184,487	S *	2/1959	Maier	D16/131
2,967,456	A *	1/1961	Maier	396/326
3,512,860	A *	5/1970	Hansen et al.	359/377
3,637,283	A *	1/1972	Tasaki et al.	359/376
3,790,249	A *	2/1974	Treace	359/388
D242,790	S *	12/1976	Armbruster	D16/131
4,299,440	A *	11/1981	Hodgson	359/393
D276,351	S *	11/1984	Janke et al.	D16/131
D289,410	S *	4/1987	Feinbloom et al.	D16/131
D290,129	S *	6/1987	Kahute	D16/131
4,695,137	A *	9/1987	Jorgens et al.	359/383
D299,357	S *	1/1989	Garnich et al.	D16/131
4,807,989	A *	2/1989	Nagano et al.	351/212
5,091,793	A *	2/1992	Goto et al.	359/831
5,119,233	A *	6/1992	Hayashi	359/390
D355,430	S *	2/1995	Hofmann-Igl	D16/131

5,841,576	A *	11/1998	Aikawa	359/383
6,050,530	A *	4/2000	Nakamura	248/123.2
6,147,797	A *	11/2000	Lee	359/363
RE37,445	E *	11/2001	Schalz	359/368
D459,744	S *	7/2002	Apotheloz	D16/131
D460,772	S *	7/2002	Apotheloz	D16/131
6,421,173	B1 *	7/2002	Corbisiero et al.	359/372
D461,201	S *	8/2002	Apotheloz	D16/131
6,636,354	B1 *	10/2003	D'Hooge et al.	359/385
D482,708	S *	11/2003	Matuschek	D16/131
D488,823	S *	4/2004	Asaka et al.	D16/131
6,738,192	B2 *	5/2004	Koizumi	359/381
6,785,045	B2 *	8/2004	Utsugi	359/383
6,833,950	B2 *	12/2004	Schmidt	359/384
D502,194	S *	2/2005	Suzuki et al.	D16/131
6,943,942	B2 *	9/2005	Horiguchi et al.	359/381
6,982,827	B2 *	1/2006	Mora	359/384
7,505,199	B2 *	3/2009	Ito	359/368
7,729,049	B2 *	6/2010	Xu et al.	359/383
D643,866	S *	8/2011	Apotheloz	D16/131

* cited by examiner

Primary Examiner — Paula Greene

(74) *Attorney, Agent, or Firm* — Crowell & Moring LLP

(57) **CLAIM**

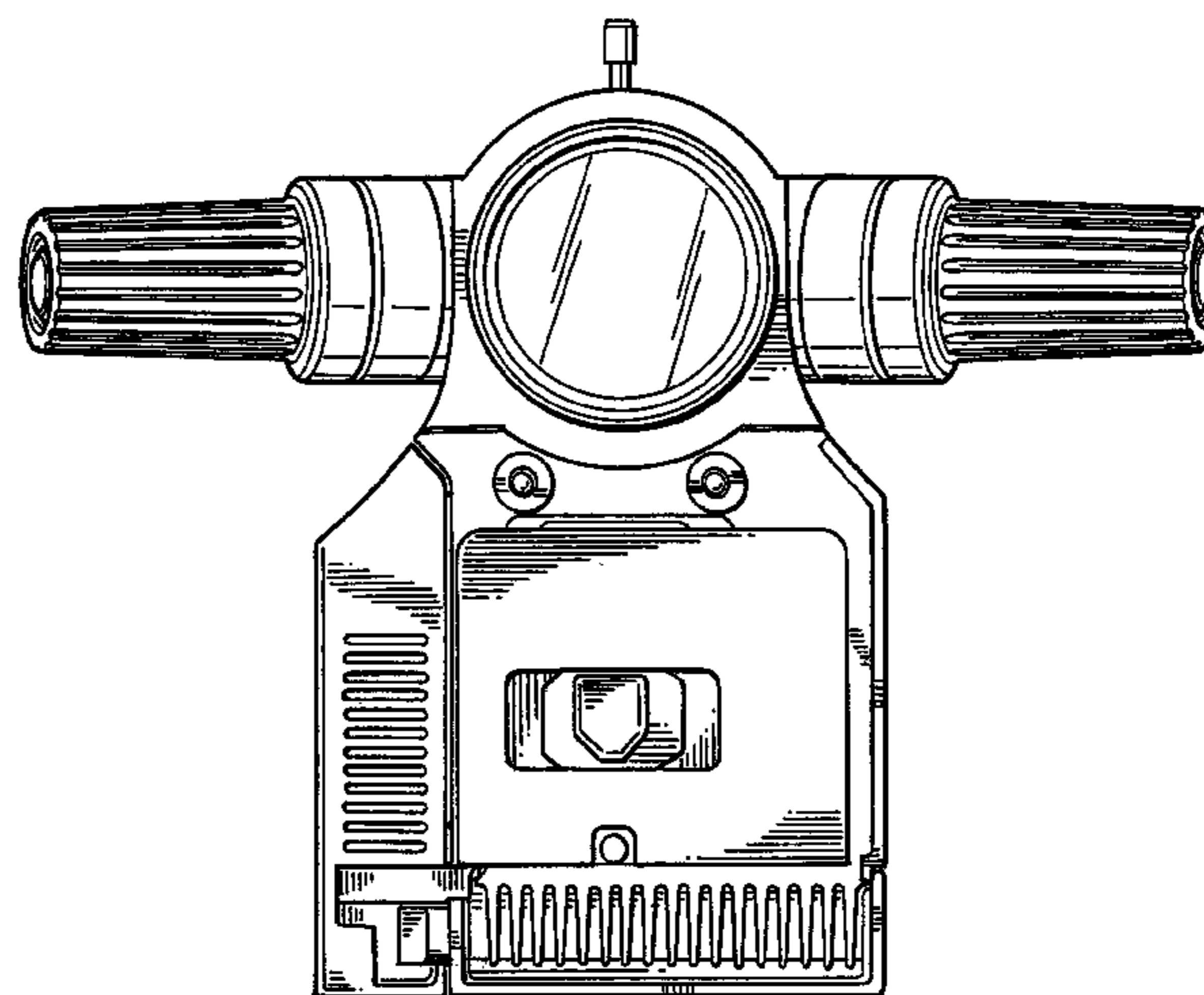
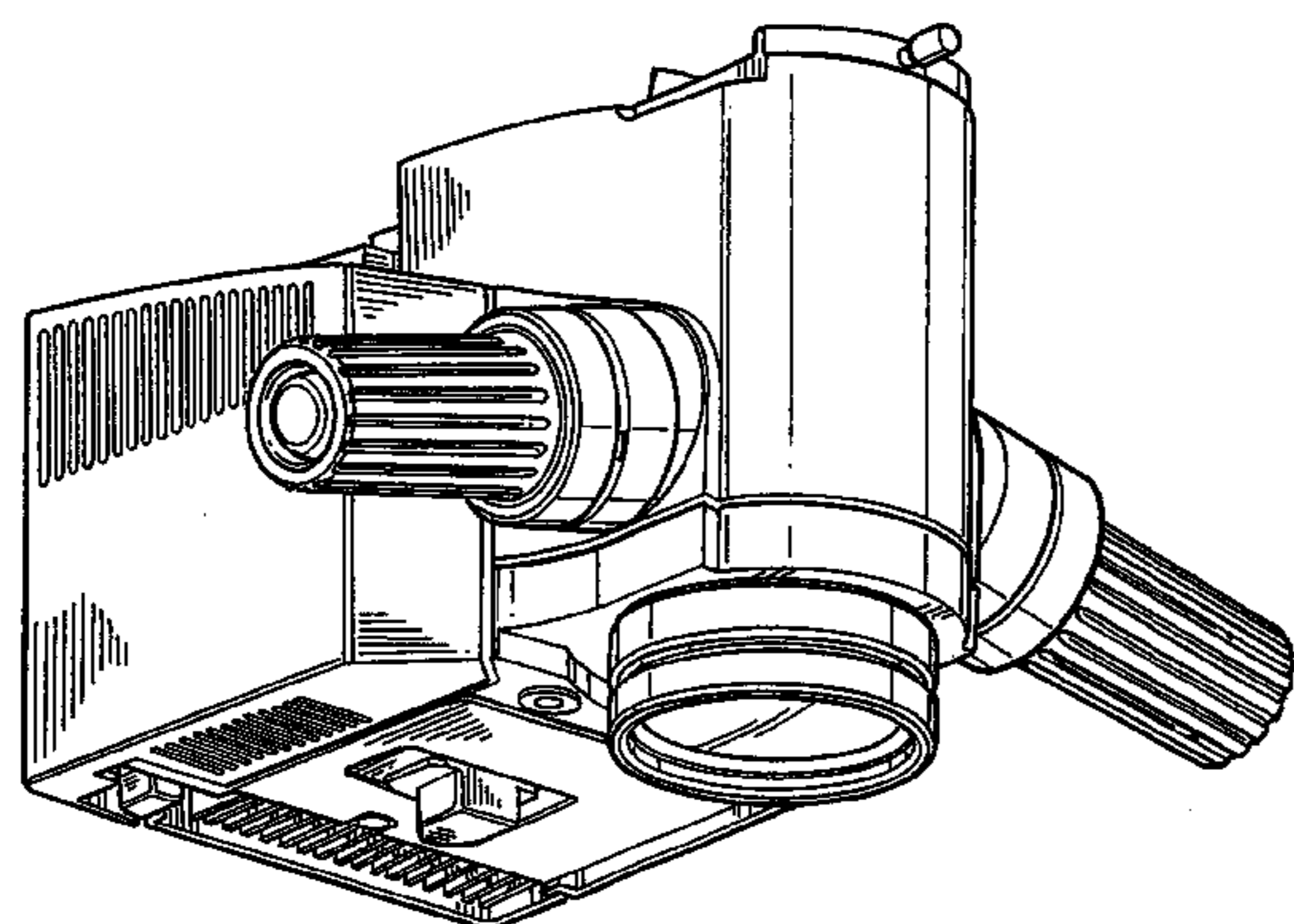
The ornamental design for a microscope, as shown and described.

DESCRIPTION

FIG. 1 is a left, front, bottom perspective view of a microscope according to my design;
 FIG. 2 is a right, rear, bottom perspective view thereof;
 FIG. 3 is a right, front, top perspective view thereof;
 FIG. 4 is a left, rear, top view thereof;
 FIG. 5 is a front view thereof;
 FIG. 6 is a rear view thereof;
 FIG. 7 is a right side view thereof;
 FIG. 8 is a left side view thereof;
 FIG. 9 is a bottom view thereof; and,
 FIG. 10 is a top view thereof.

The broken lines are for illustrative purposes only and form no part of the claimed design.

1 Claim, 6 Drawing Sheets



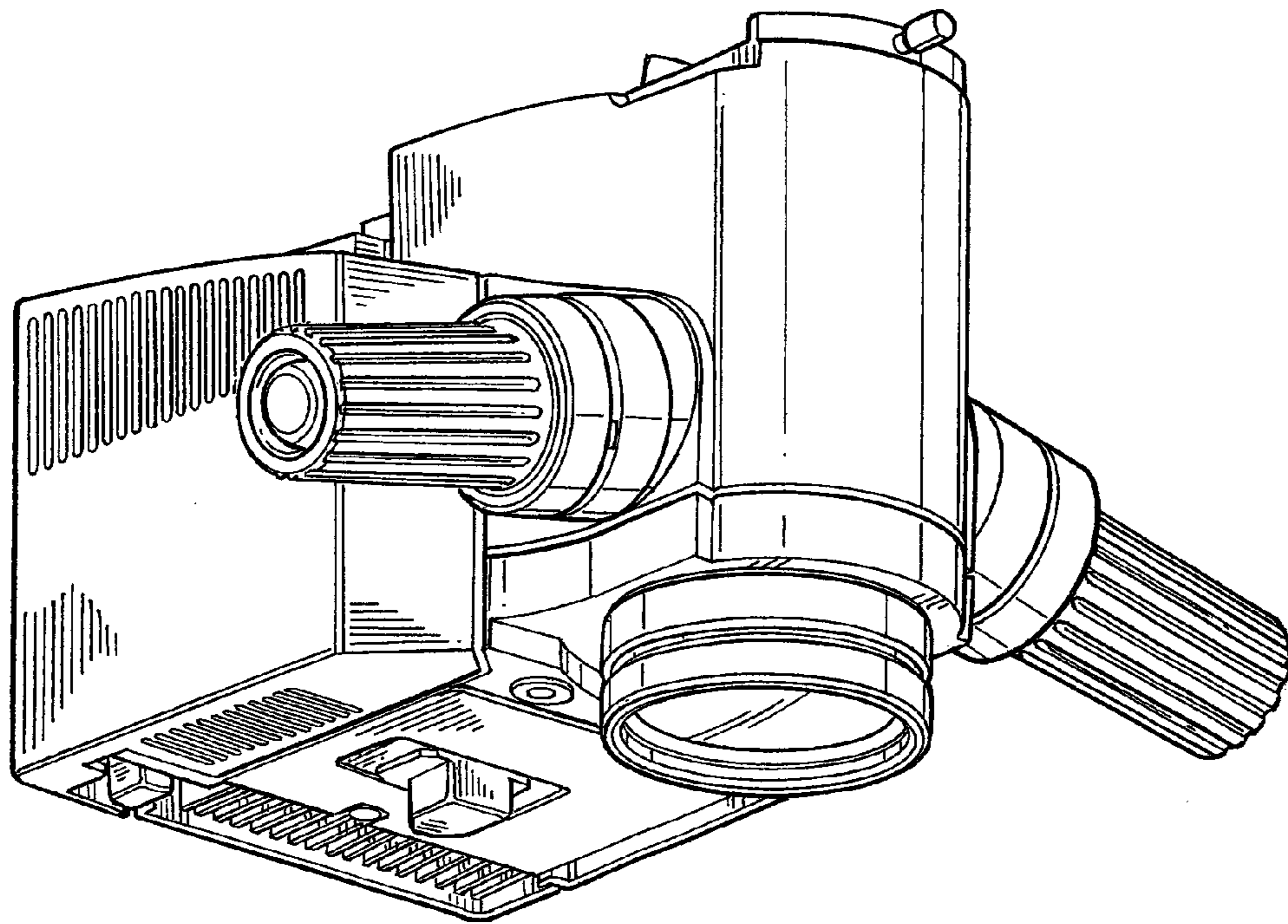


FIG. 1

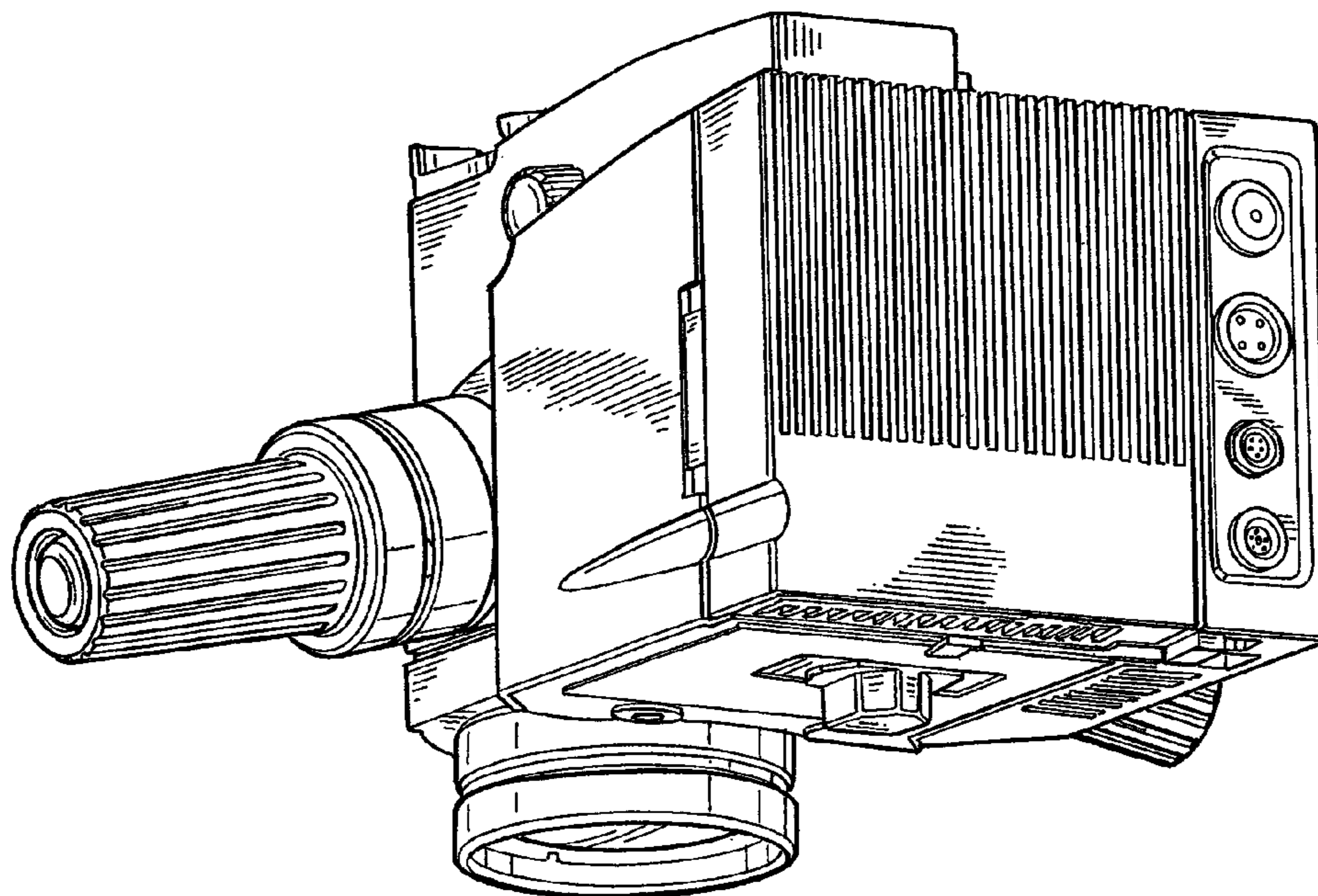
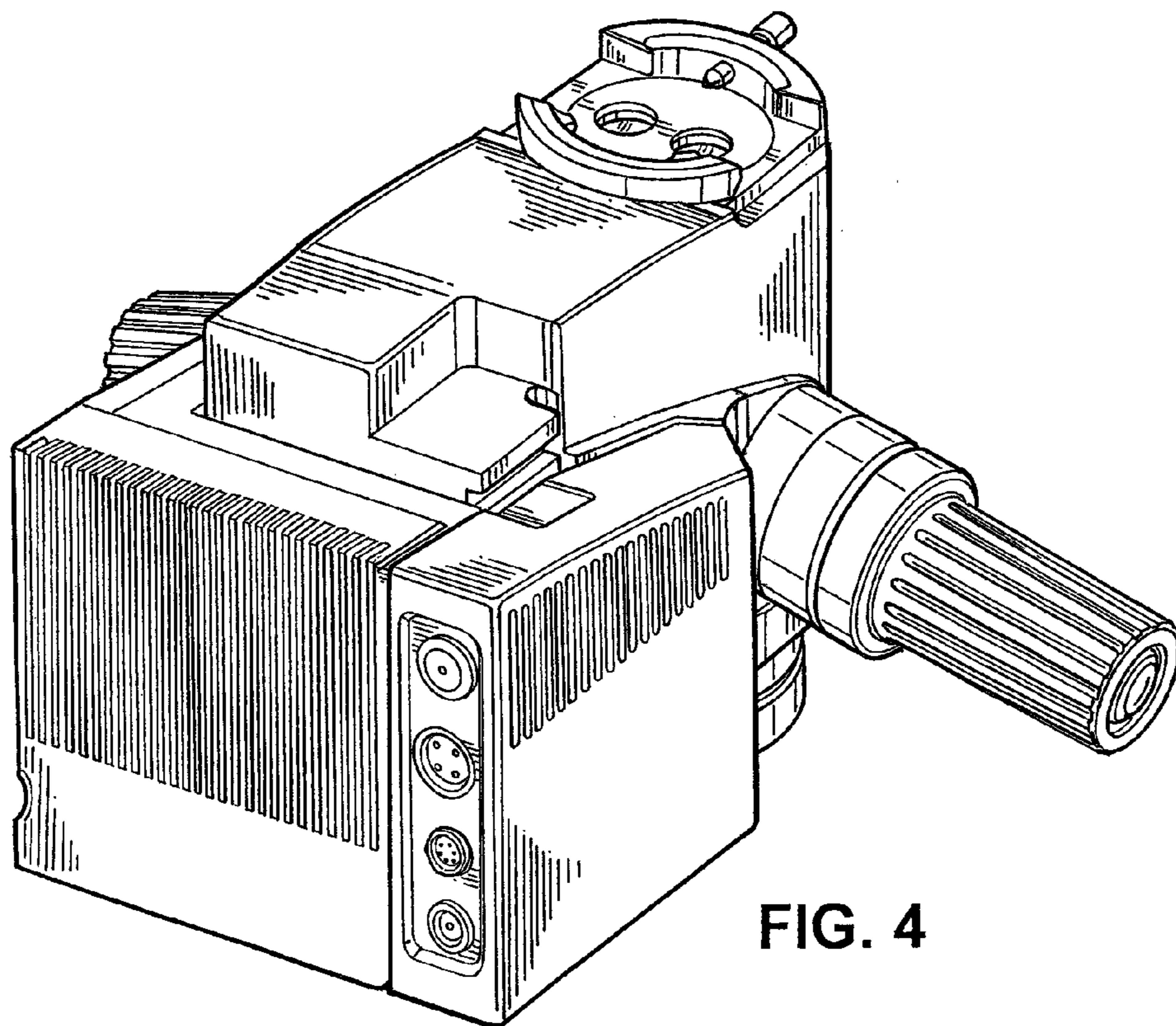
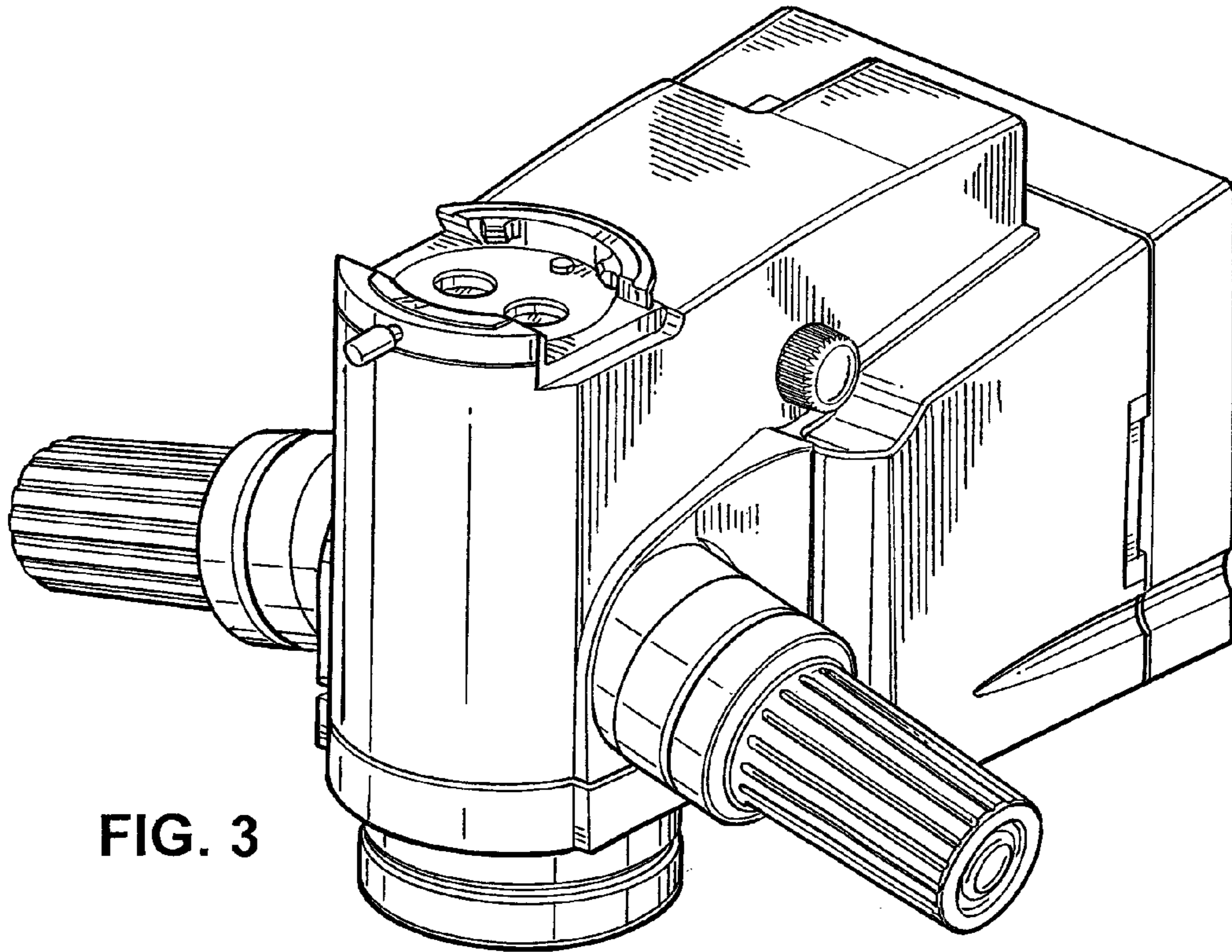


FIG. 2



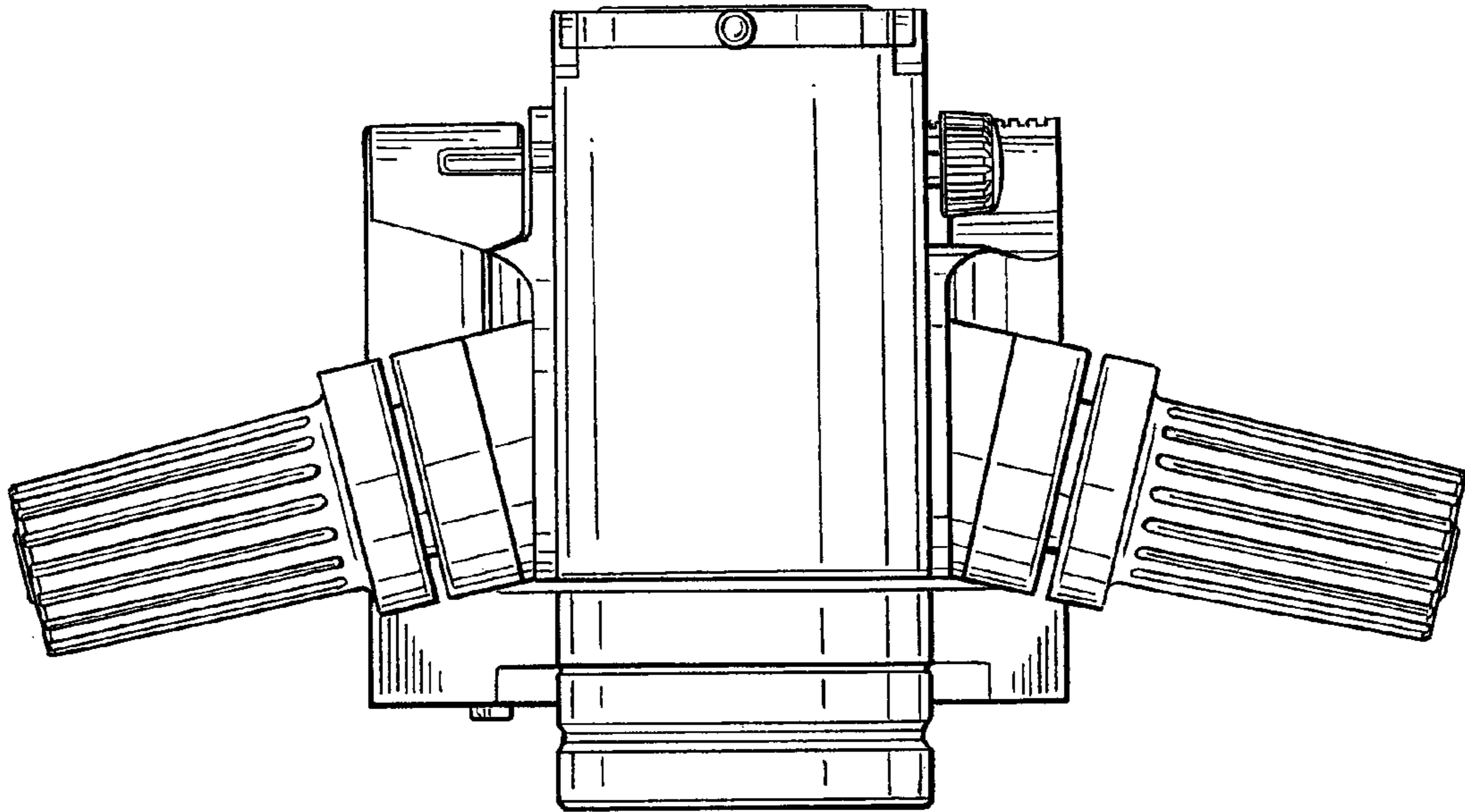


FIG. 5

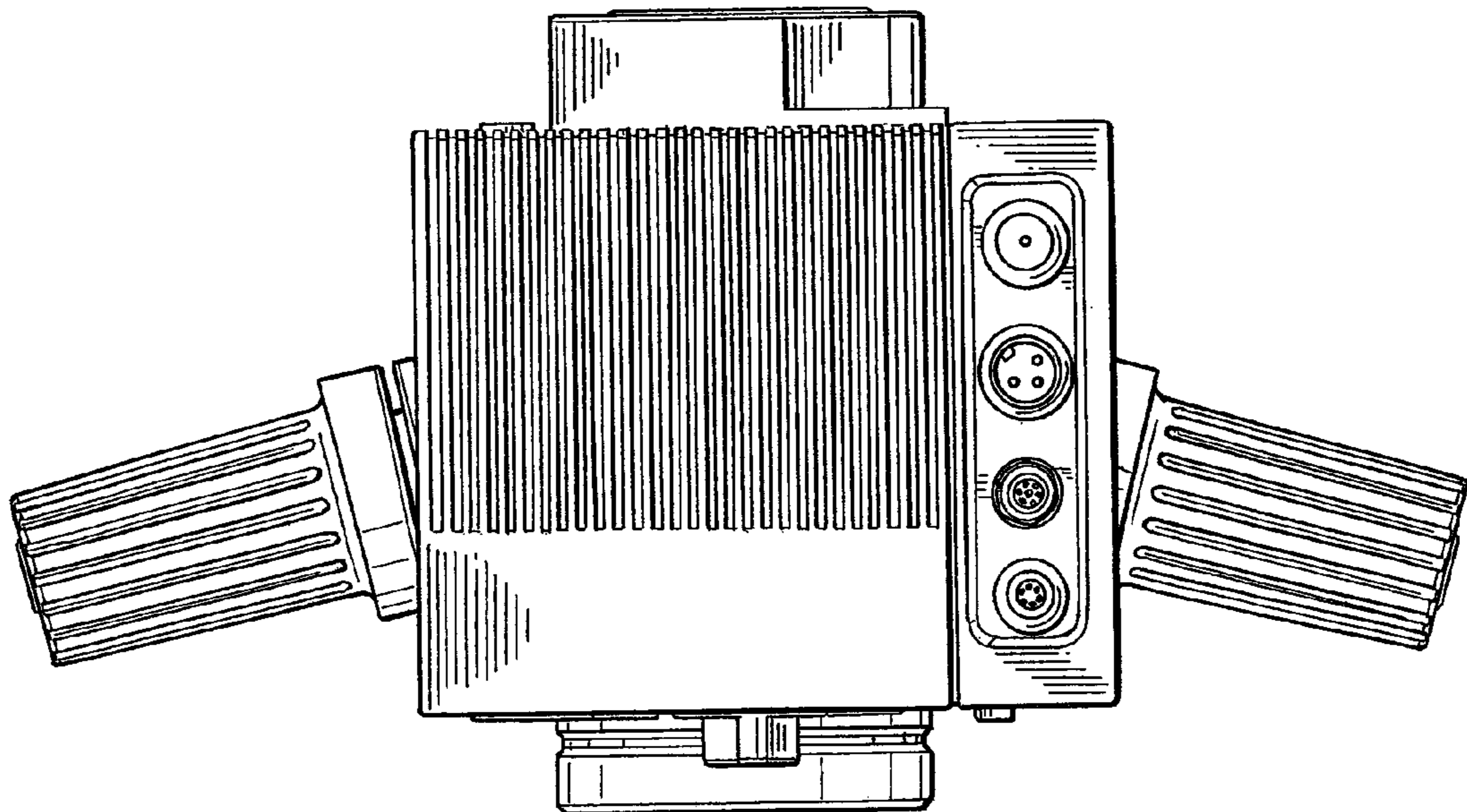


FIG. 6

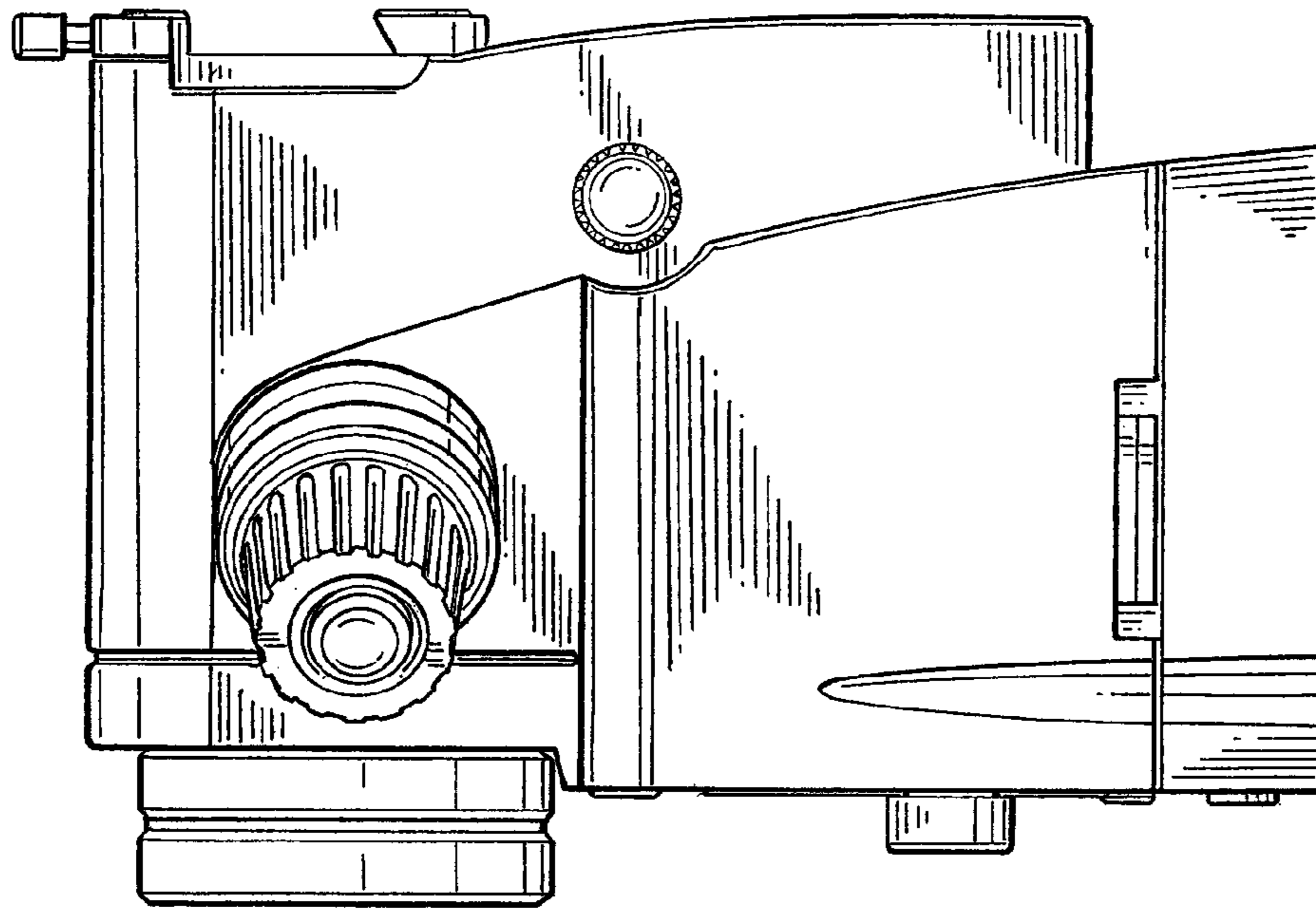


FIG. 7

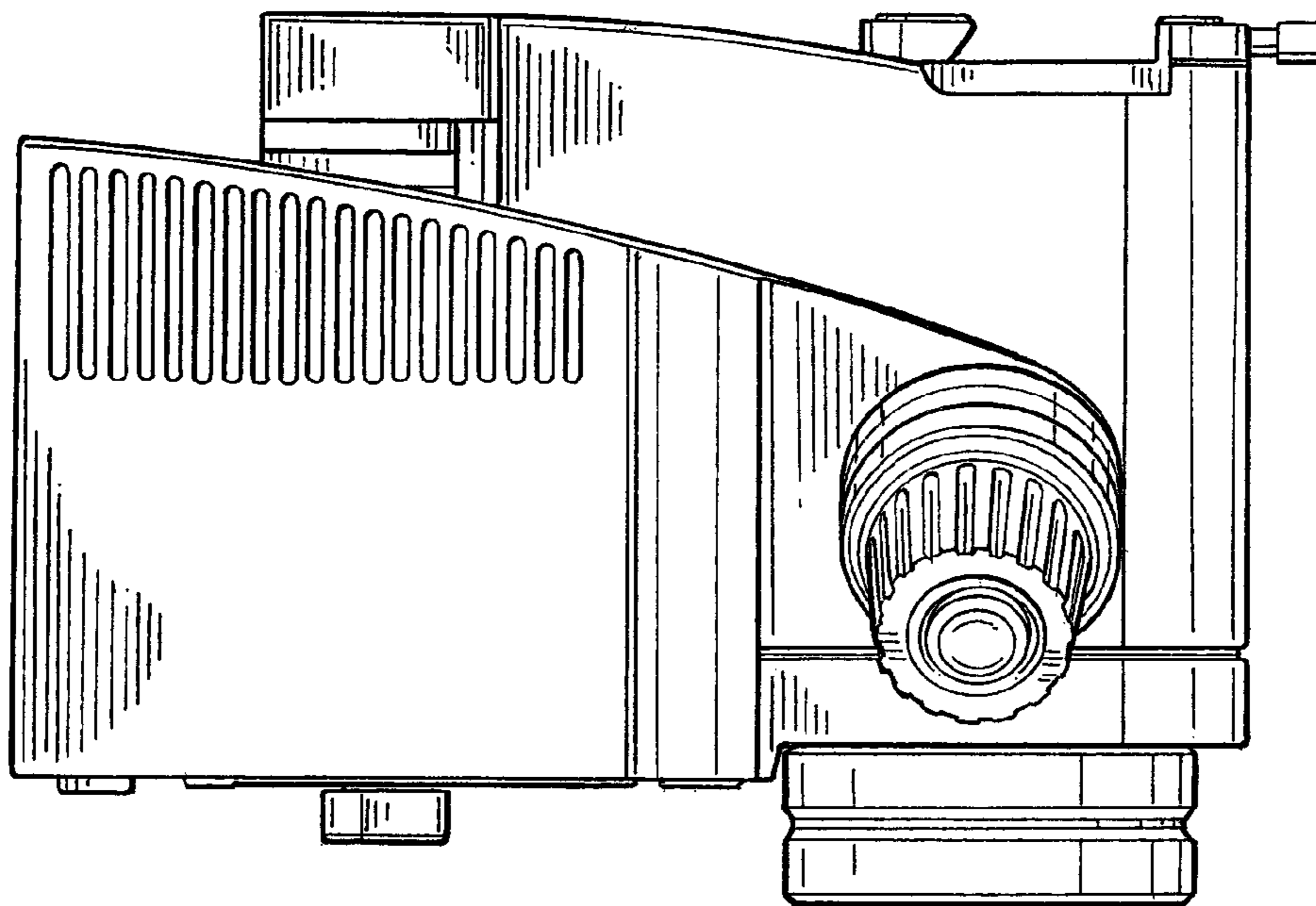


FIG. 8

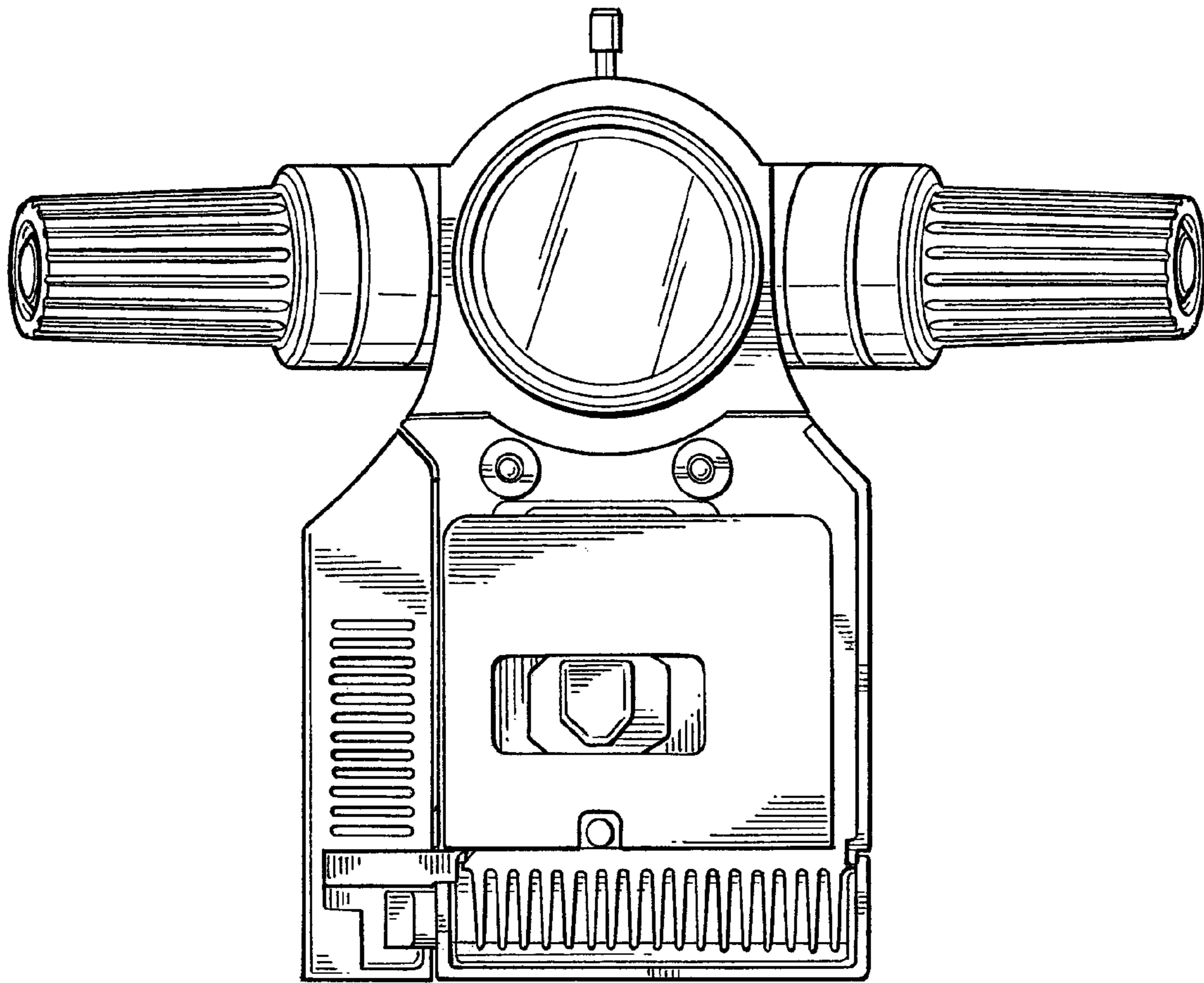


FIG. 9

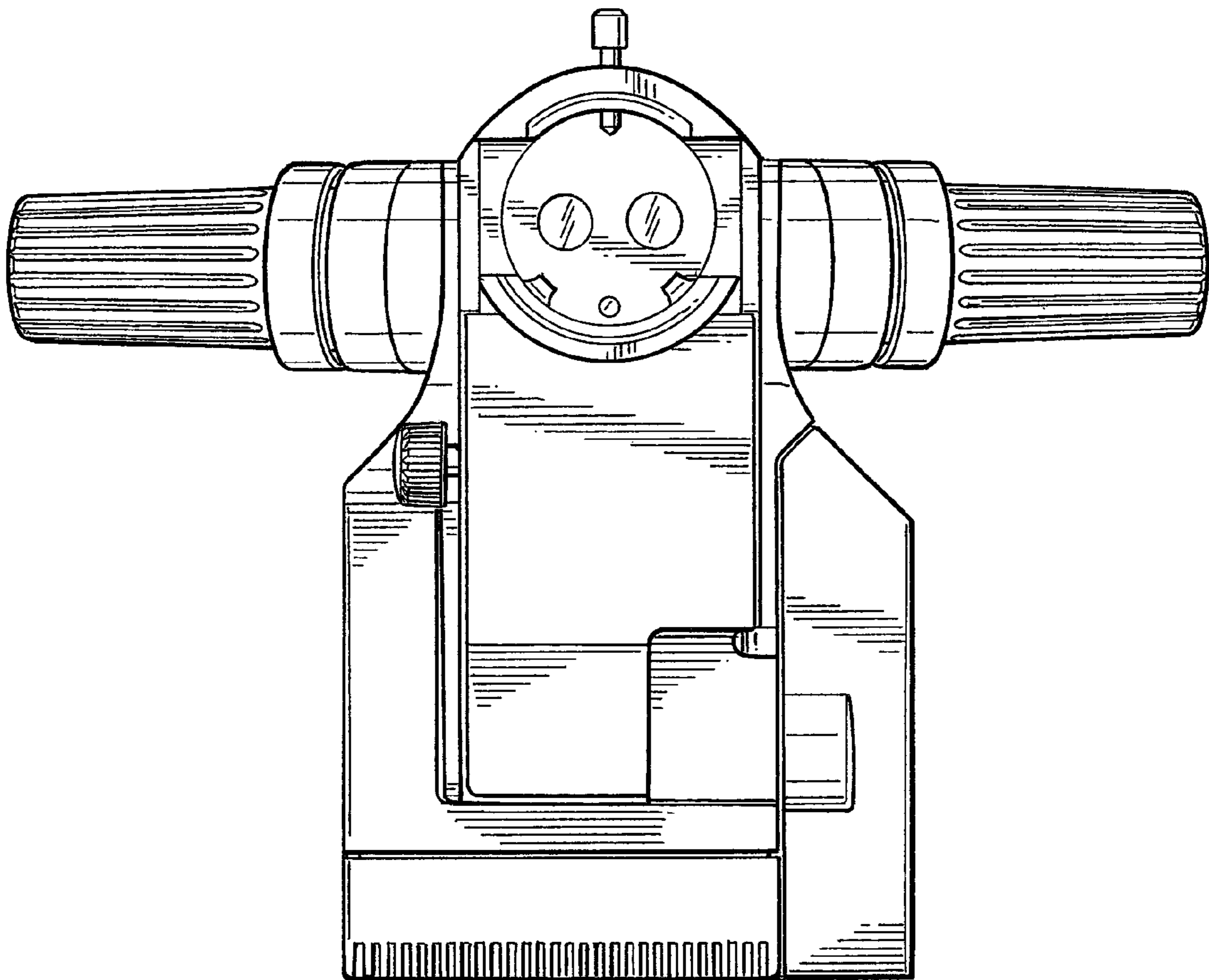


FIG. 10