



US00D674423S

(12) **United States Design Patent**  
**Mangold**

(10) **Patent No.:** **US D674,423 S**  
(45) **Date of Patent:** **\*\* Jan. 15, 2013**

(54) **ROTARY DRIVE DEVICE**  
(75) Inventor: **Simone Mangold**, Esslingen (DE)  
(73) Assignee: **Festo AG & Co. KG**, Esslingen (DE)  
(\*\*) Term: **14 Years**  
(21) Appl. No.: **29/428,984**  
(22) Filed: **Aug. 6, 2012**

D597,112 S \* 7/2009 Takeuchi et al. .... D15/143  
D628,219 S \* 11/2010 Fukano et al. .... D15/143  
D660,334 S \* 5/2012 Takeuchi et al. .... D15/143  
2002/0047322 A1 \* 4/2002 Sato et al. .... 310/12  
2003/0041598 A1 \* 3/2003 Takeuchi et al. .... 60/591

**FOREIGN PATENT DOCUMENTS**

EP 2093432 8/2009  
JP 2007127160 5/2007  
JP 2007333130 12/2007  
WO W02010063515 6/2010

\* cited by examiner

(30) **Foreign Application Priority Data**

Feb. 14, 2012 (EM) ..... 001991753-0001

(51) **LOC (9) Cl.** ..... **15-09**  
(52) **U.S. Cl.** ..... **D15/143**  
(58) **Field of Classification Search** ..... D13/147,  
D13/148, 158; D15/5, 143, 148, 199; D23/233;  
74/89.15, 411.5, 490.09; 297/14, 325, 327;  
310/20, 80; 319/80; 414/560-569  
See application file for complete search history.

*Primary Examiner* — Patricia Palasik

(74) *Attorney, Agent, or Firm* — Hoffman & Baron, LLP

(57) **CLAIM**

The ornamental design for a rotary drive device, as shown and described.

**DESCRIPTION**

FIG. 1 is a top perspective view of a rotary drive device showing my new design;  
FIG. 2 is a left side view thereof;  
FIG. 3 is a right side view thereof;  
FIG. 4 is a front view thereof;  
FIG. 5 is a rear view thereof;  
FIG. 6 is a top plan view thereof; and,  
FIG. 7 is a bottom plan view thereof.

(56) **References Cited**

**U.S. PATENT DOCUMENTS**

6,170,384 B1 1/2001 Stoll et al.  
D446,229 S \* 8/2001 Kaneko ..... D15/143  
D494,659 S \* 8/2004 Marinoni et al. .... D15/143  
D578,147 S \* 10/2008 Fukano et al. .... D15/143  
D597,111 S \* 7/2009 Takeuchi et al. .... D15/143

**1 Claim, 7 Drawing Sheets**

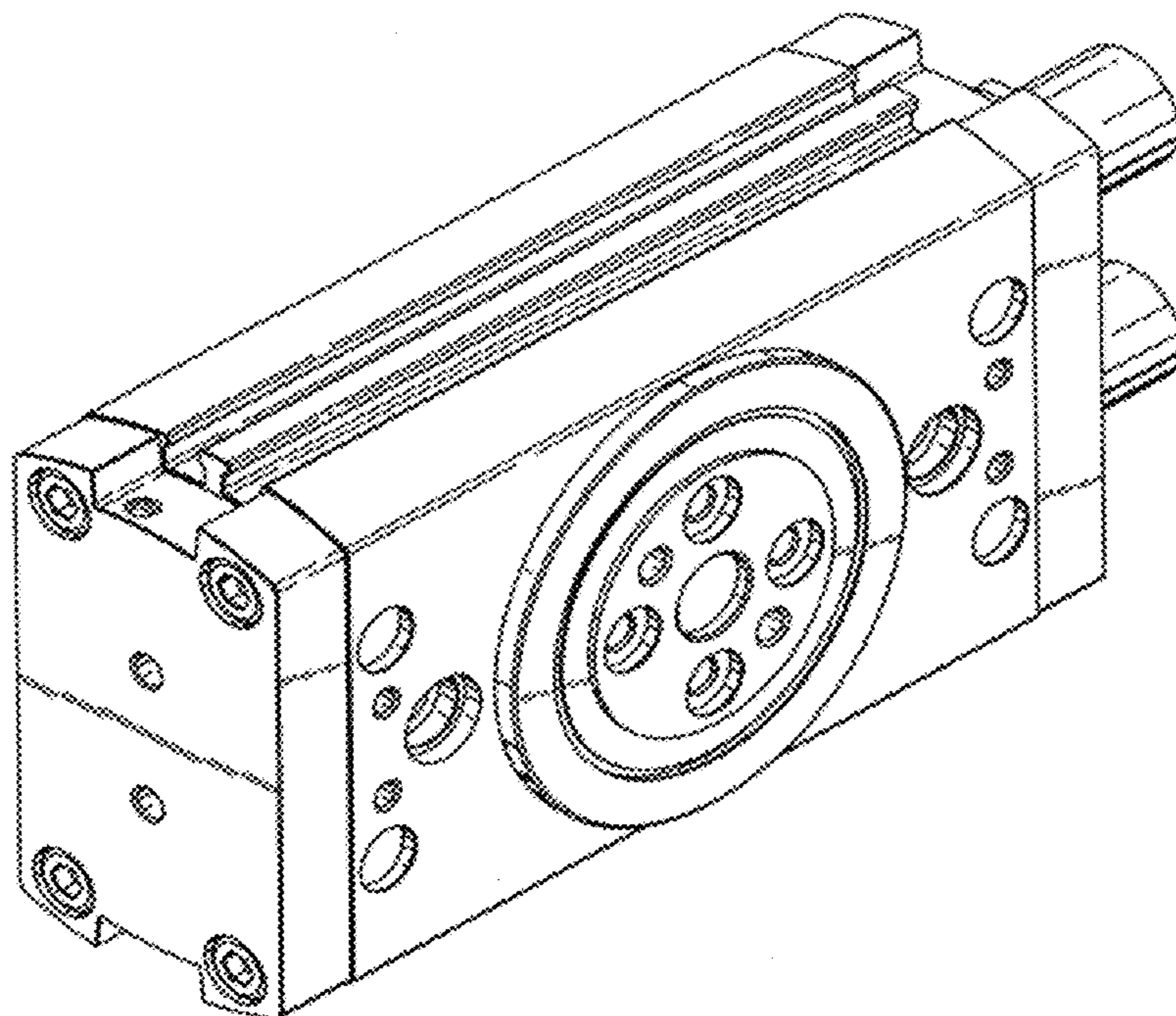


Fig. 1

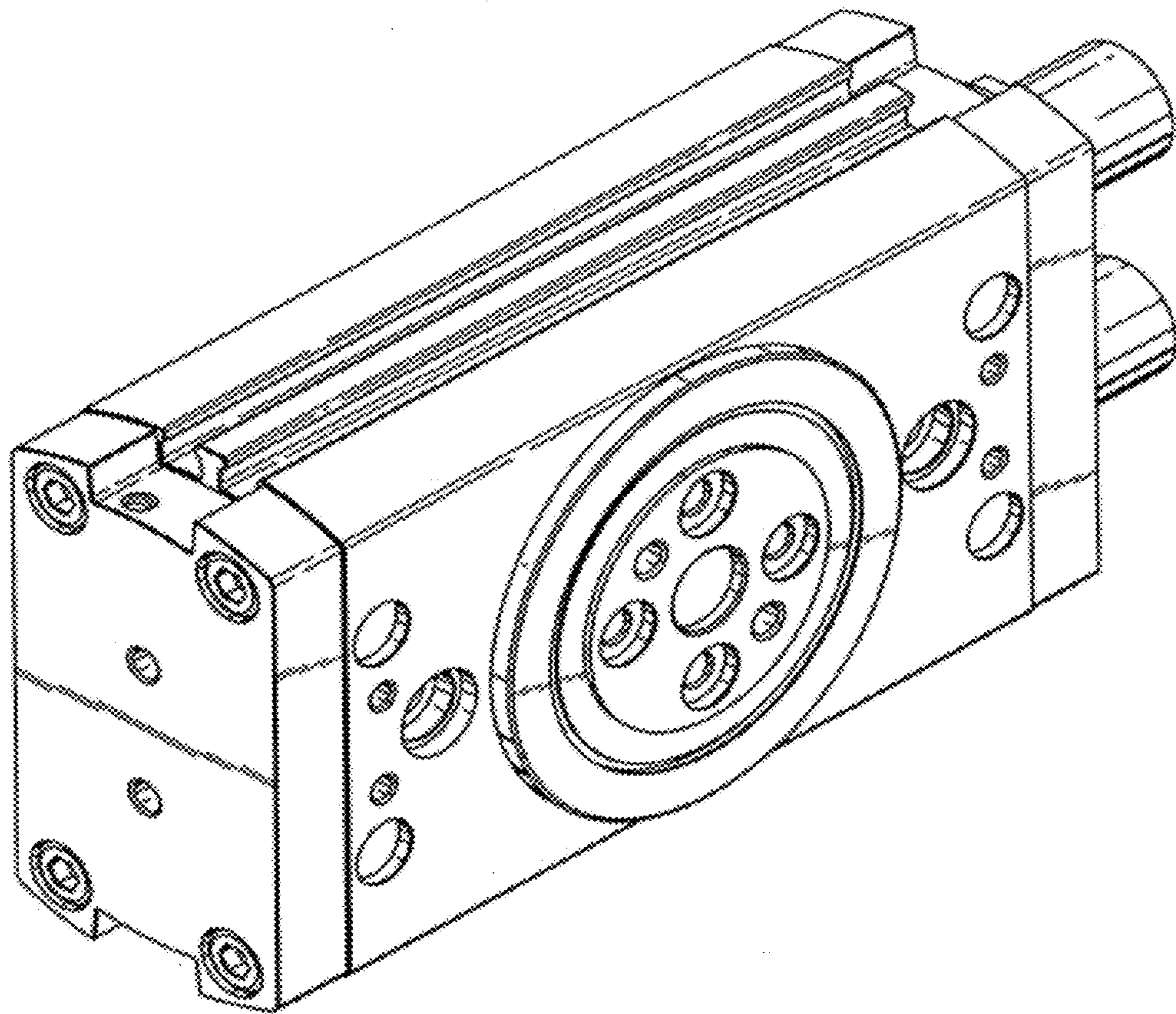


Fig. 2

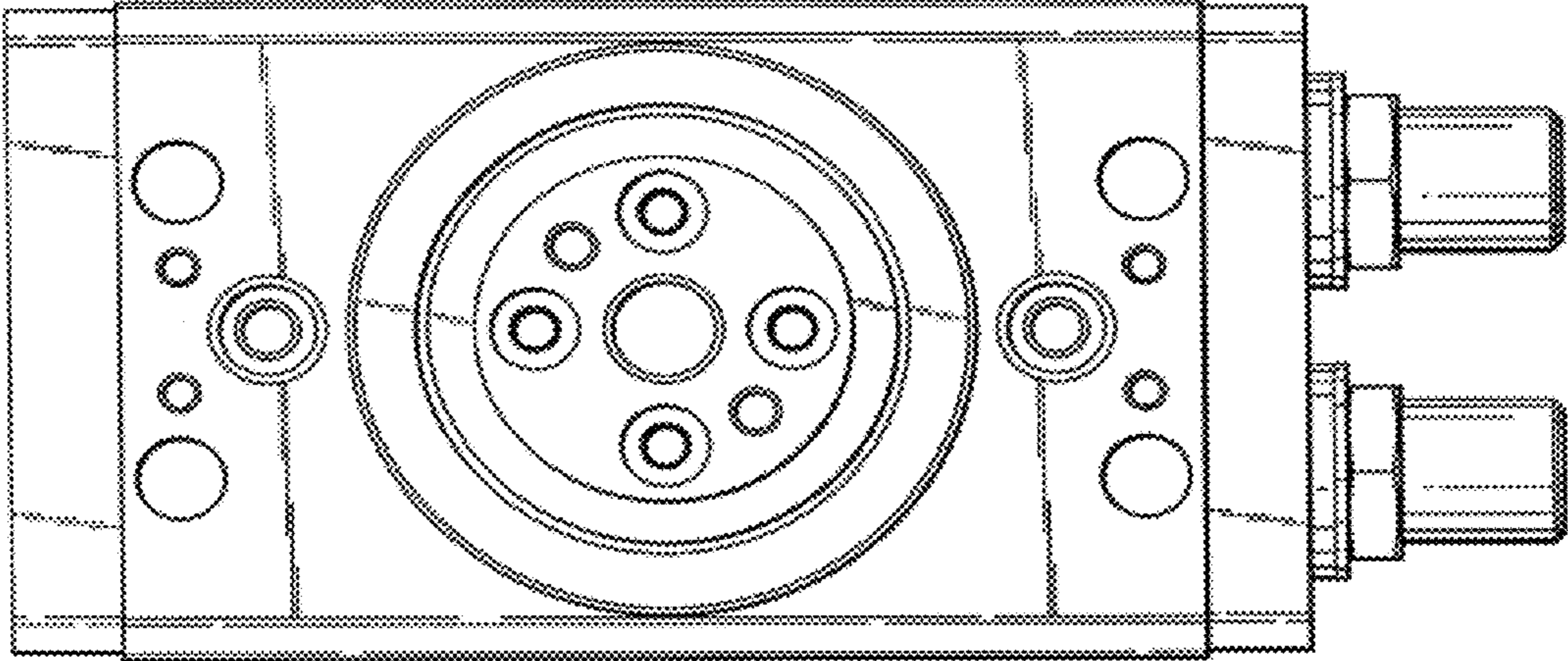


Fig. 3

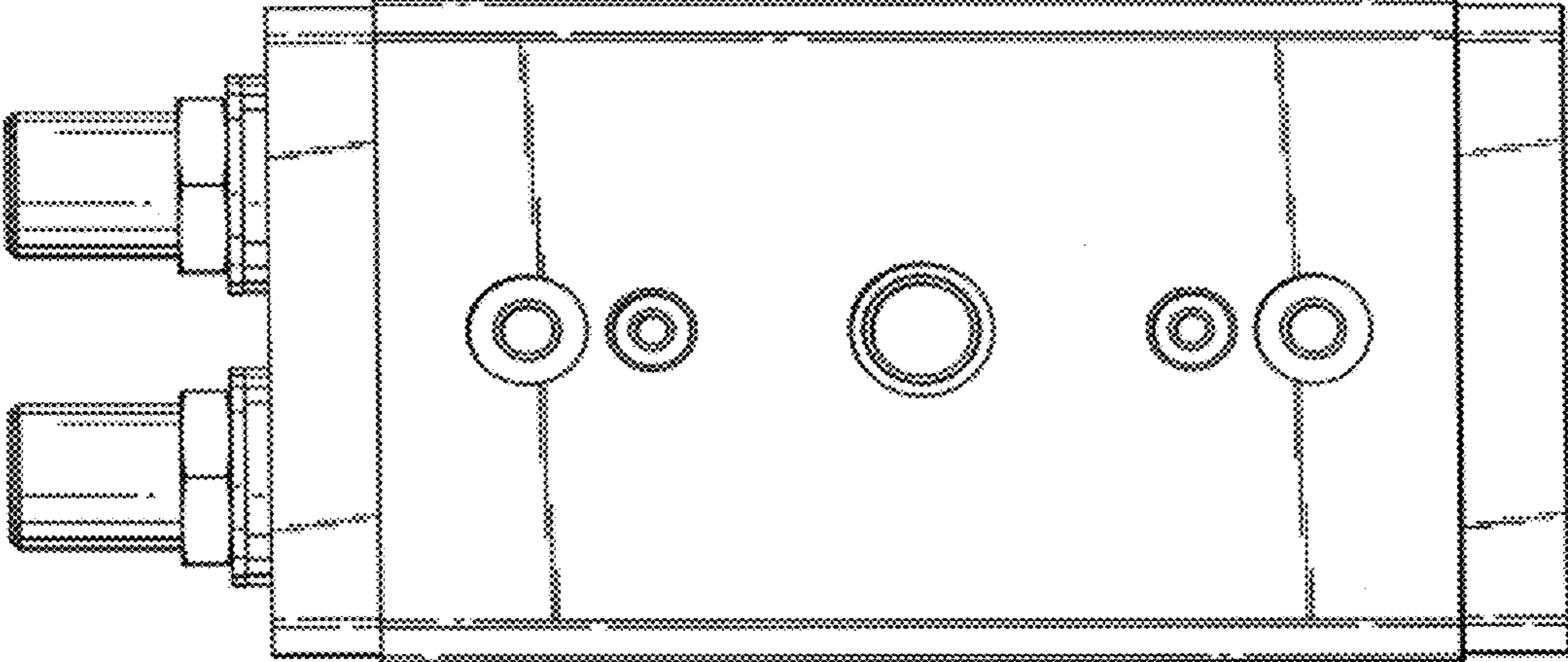


Fig. 4

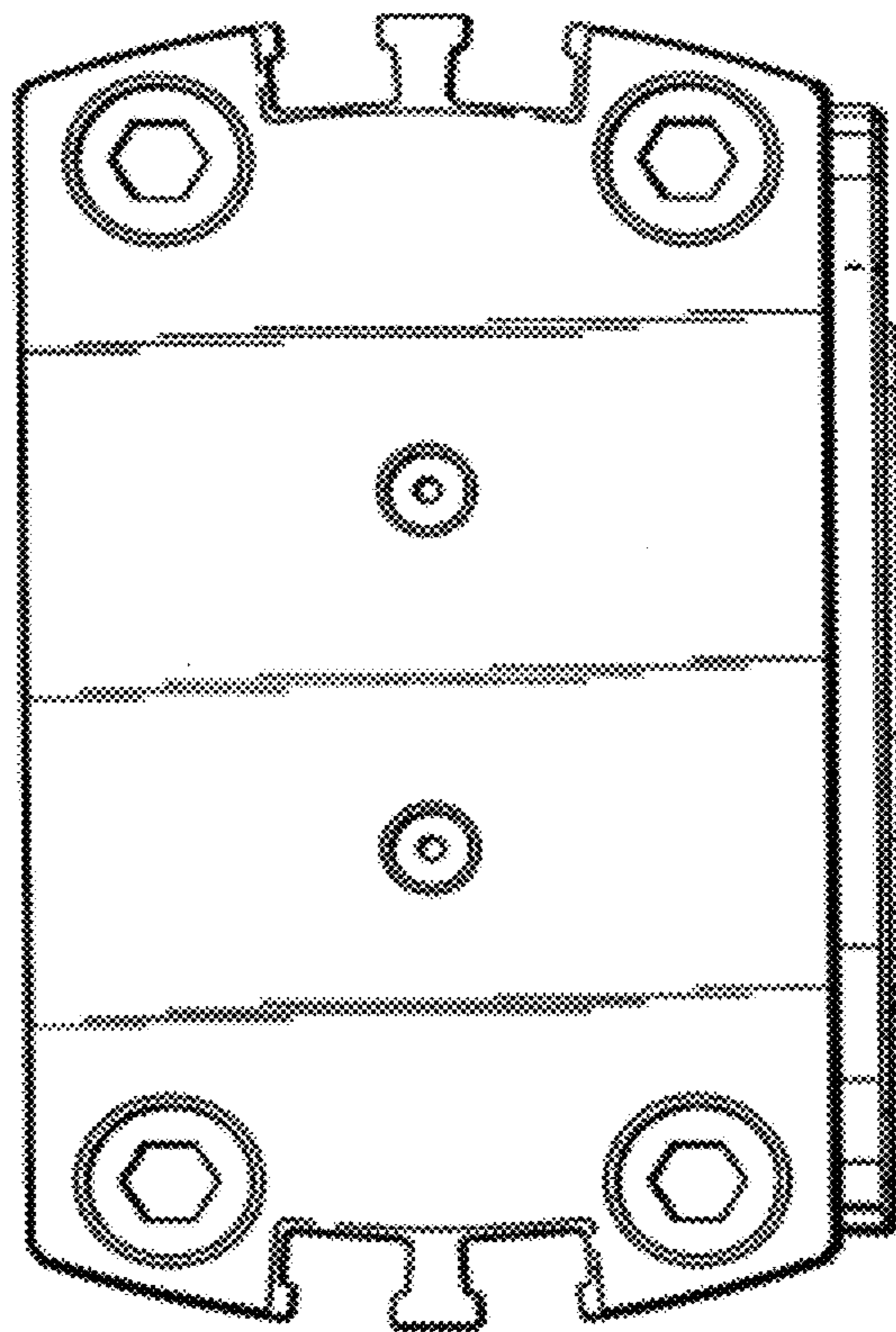


Fig. 5

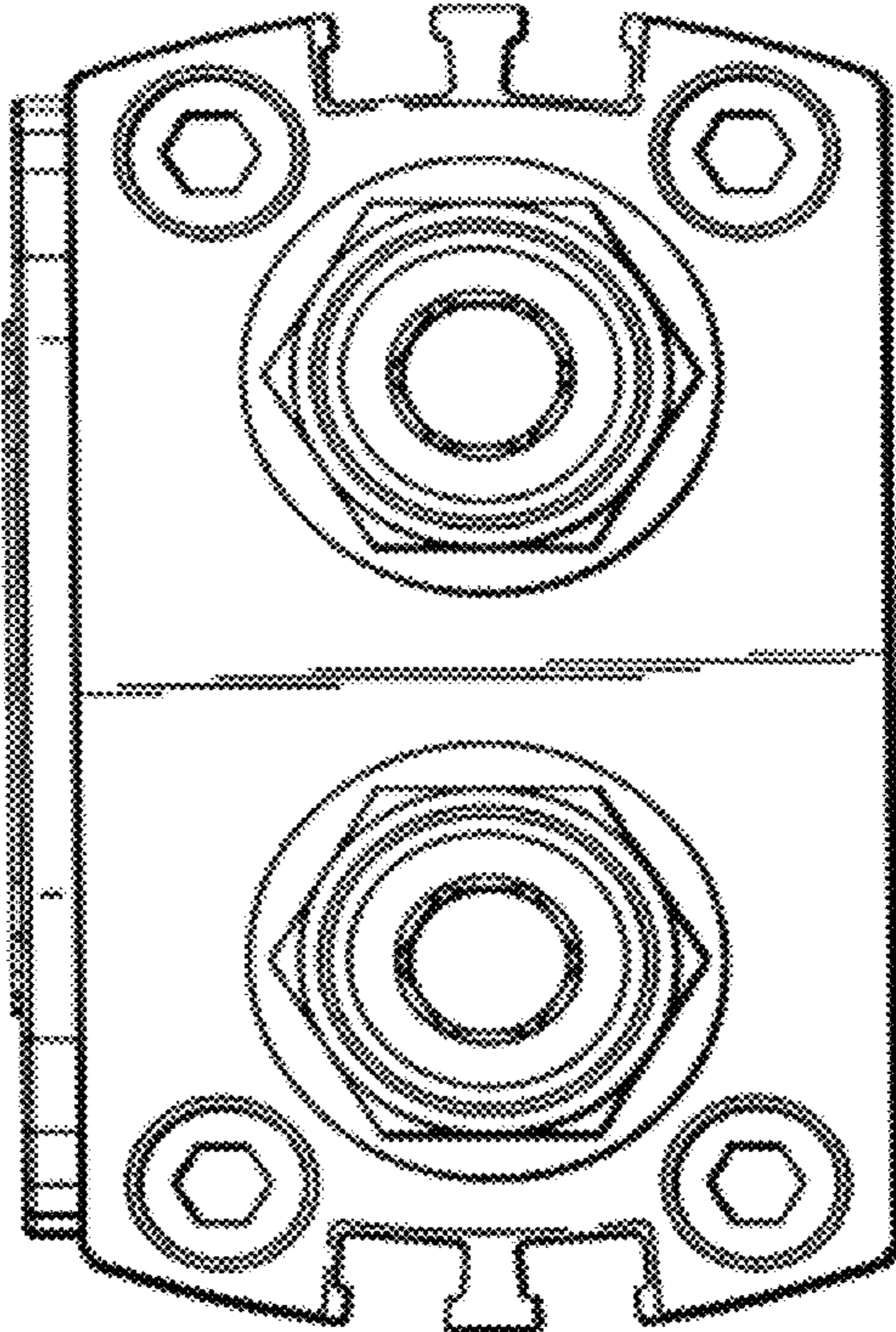


Fig. 6

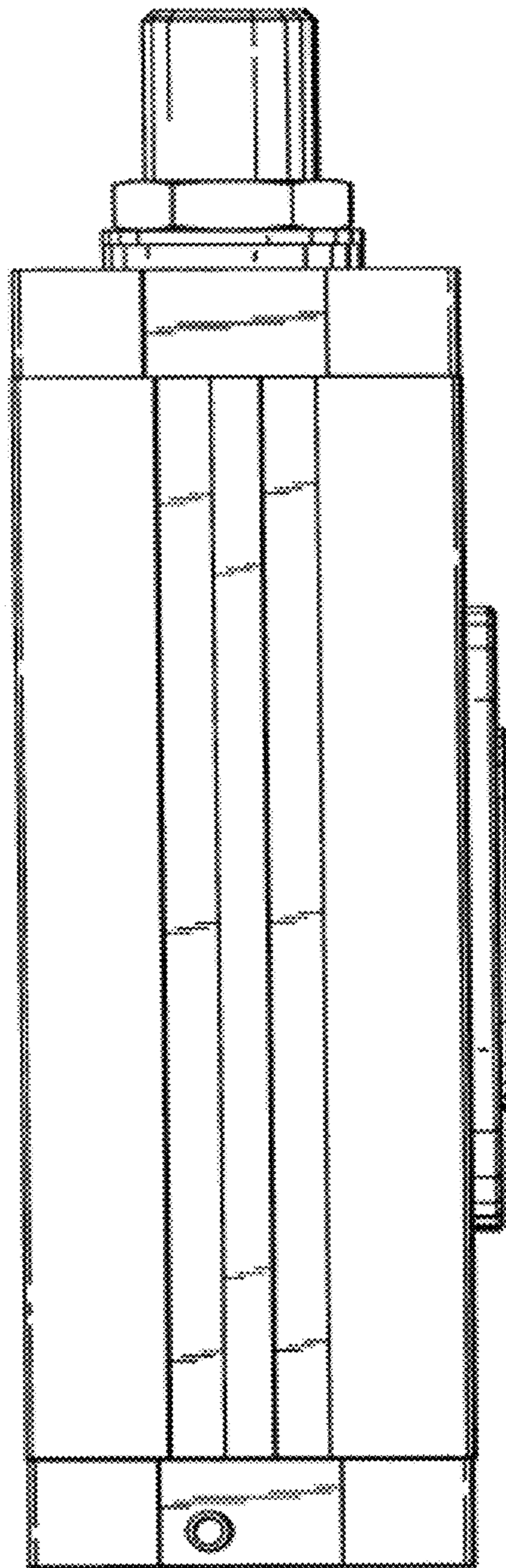


Fig. 7

