



US00D674420S

(12) **United States Design Patent**
Ueberschlag et al.

(10) **Patent No.:** **US D674,420 S**
(45) **Date of Patent:** **** Jan. 15, 2013**

(54) **COATING MACHINE**

(75) Inventors: **Pascal Ueberschlag**, Fislis (FR); **Frank Maurer**, Inzlingen (DE)

(73) Assignee: **Glatt Maschinen-und Apparatebau AG**, Pratteln (CH)

(**) Term: **14 Years**

(21) Appl. No.: **29/427,897**

(22) Filed: **Jul. 24, 2012**

(30) **Foreign Application Priority Data**

Apr. 27, 2012 (WO) DM078 243

(51) **LOC (9) Cl.** **15-09**

(52) **U.S. Cl.** **D15/122**

(58) **Field of Classification Search** D15/122,
D15/124, 199; 118/64, 300, 309, 310, 324
See application file for complete search history.

(56) **References Cited**

U.S. PATENT DOCUMENTS

2,400,315 A * 5/1946 Paasche 118/64
3,669,068 A * 6/1972 Geitz 118/64

6,068,702 A * 5/2000 Bertellotti et al. 118/621
D567,264 S * 4/2008 Muller et al. D15/122
D616,472 S * 5/2010 Fusejima D15/122
D622,296 S * 8/2010 Ueberschlag D15/122
D655,323 S * 3/2012 Brockhage D15/145
2006/0233960 A1 * 10/2006 Warren et al. 427/421.1

* cited by examiner

Primary Examiner — Patricia Palasik

(74) *Attorney, Agent, or Firm* — Volpe and Koenig, P.C.

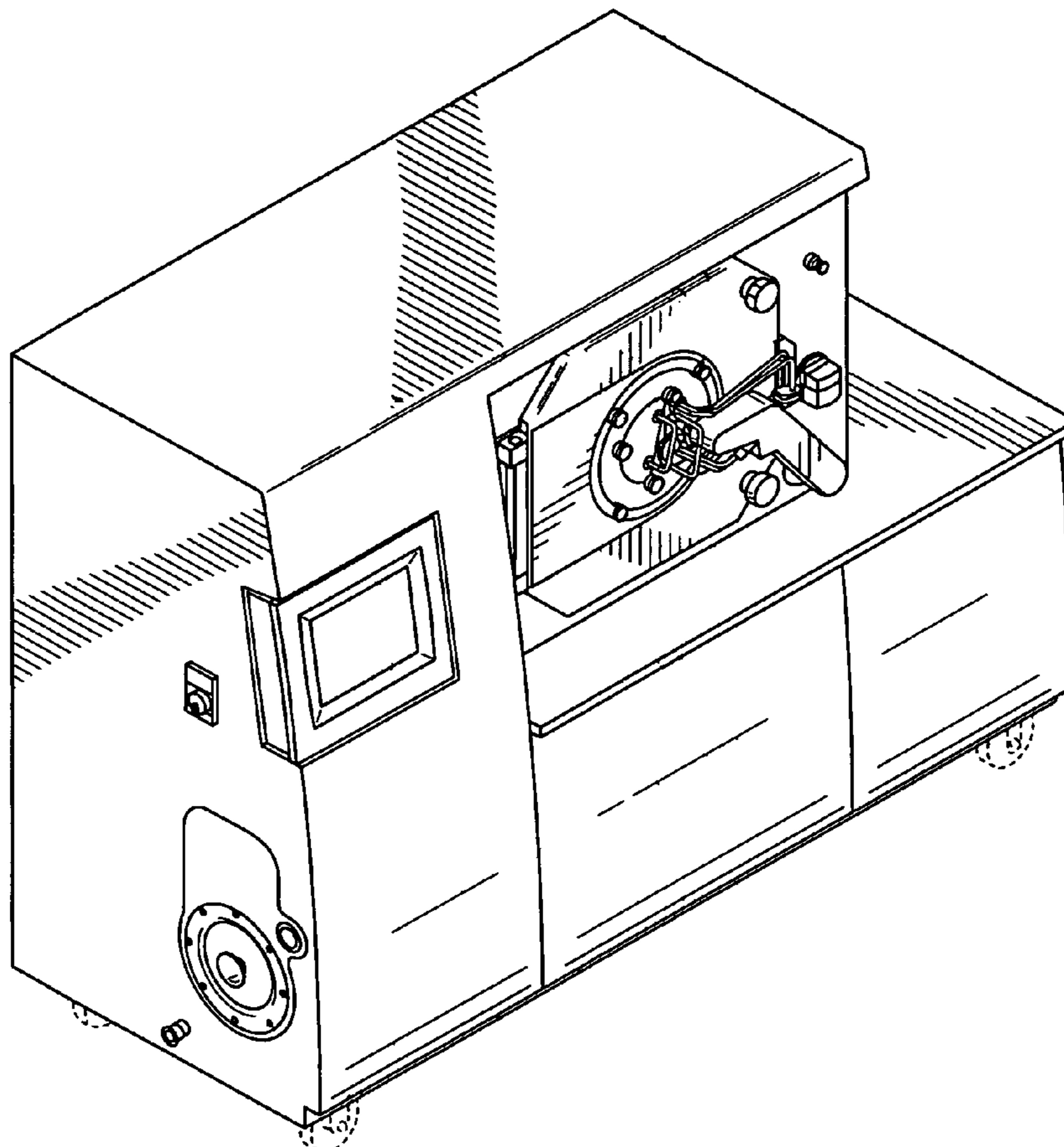
(57) **CLAIM**

The ornamental design for a coating machine, as shown and described.

DESCRIPTION

FIG. 1 is a front elevational view of a coating machine in accordance with our design;
FIG. 2 is a top plan view thereof;
FIG. 3 is a top, front, left perspective view thereof;
FIG. 4 is a top, front, right perspective view thereof;
FIG. 5 is a top, right, rear perspective view thereof;
FIG. 6 is a rear elevational view thereof;
FIG. 7 is a left side elevational view thereof;
FIG. 8 is a right side elevational view thereof; and,
FIG. 9 is a bottom view thereof.

1 Claim, 9 Drawing Sheets



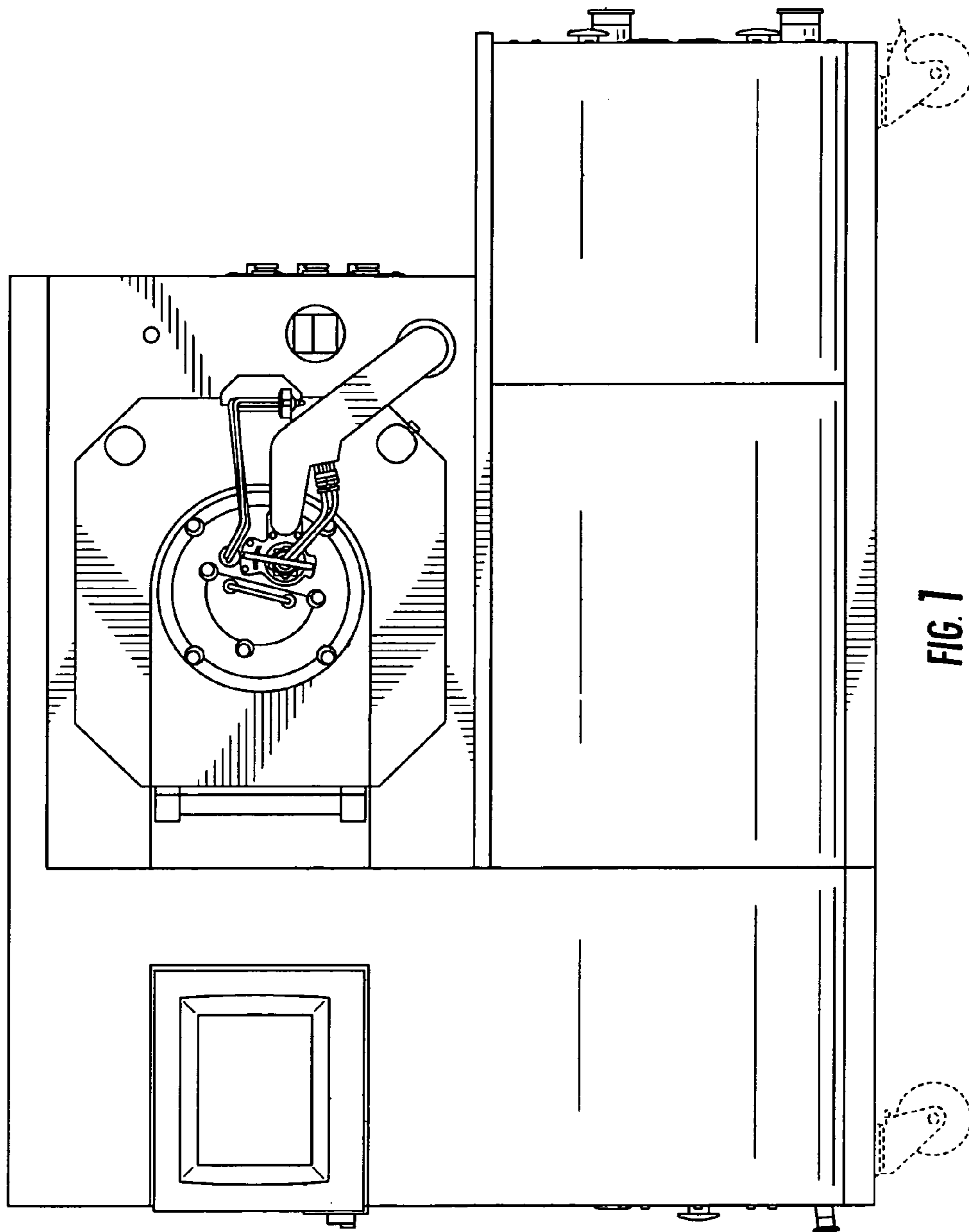


FIG. 1

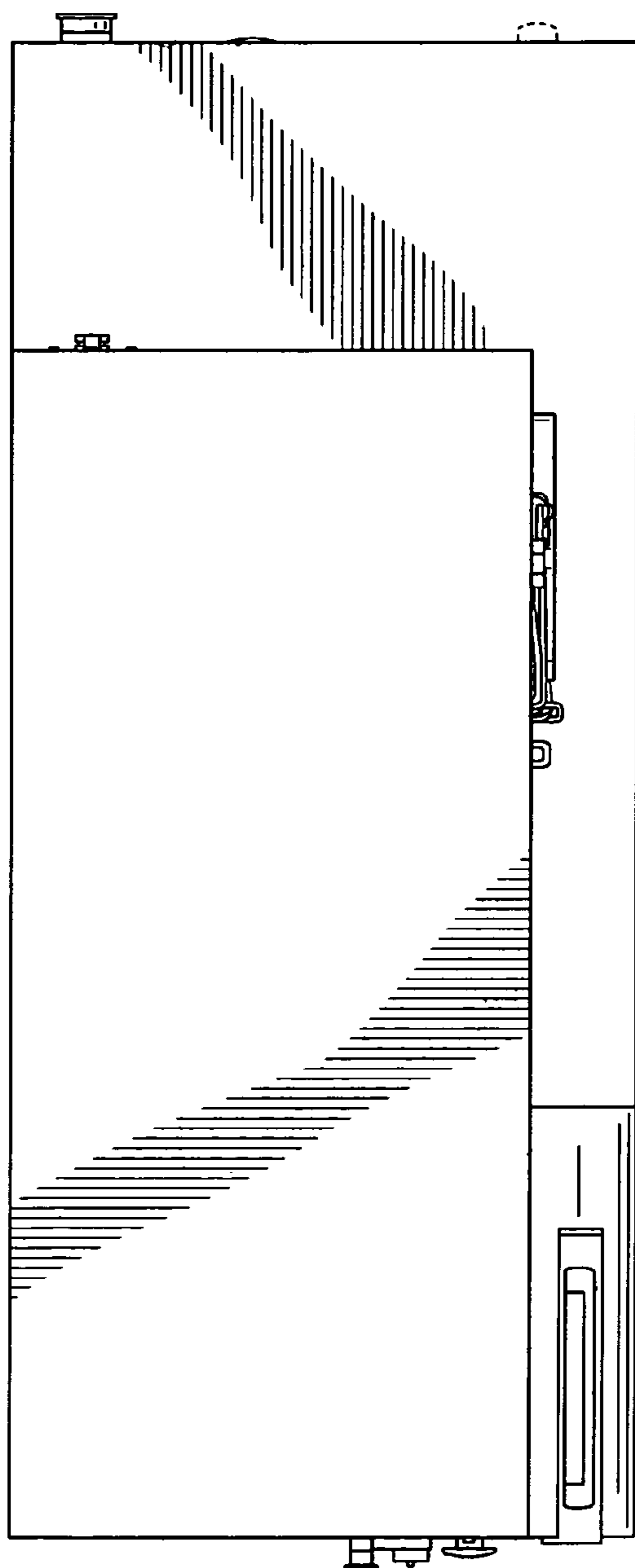
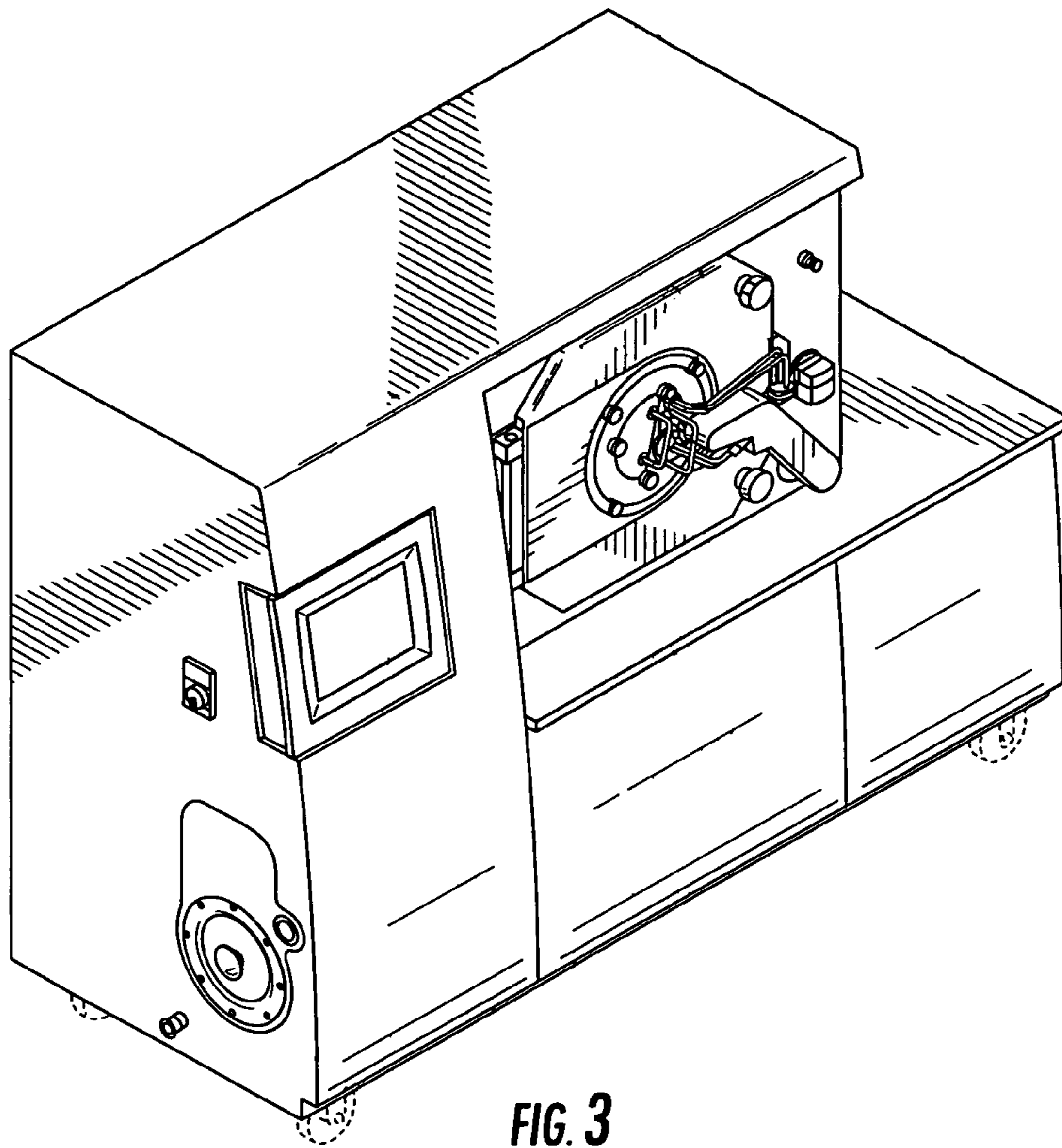


FIG. 2



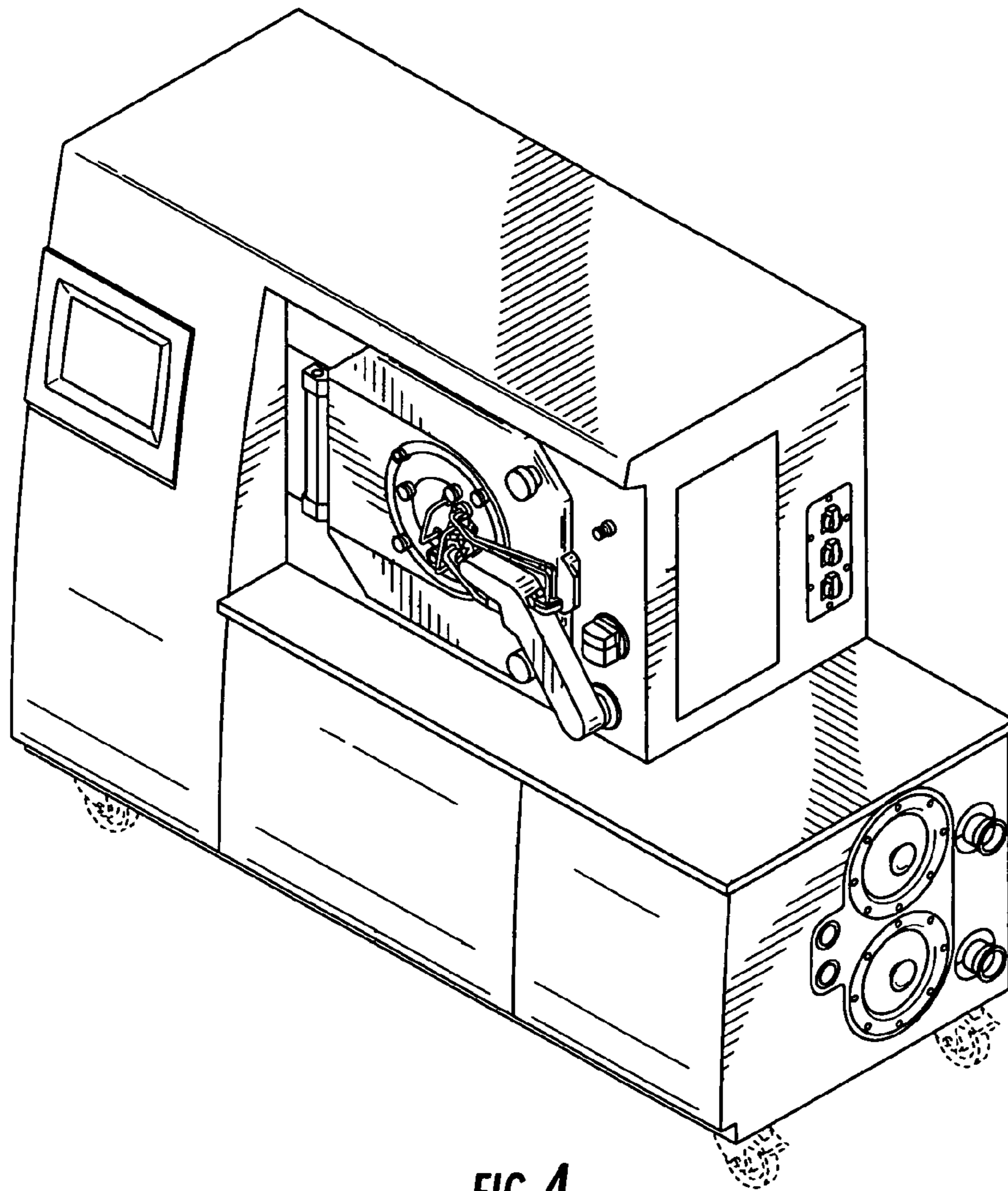


FIG. 4

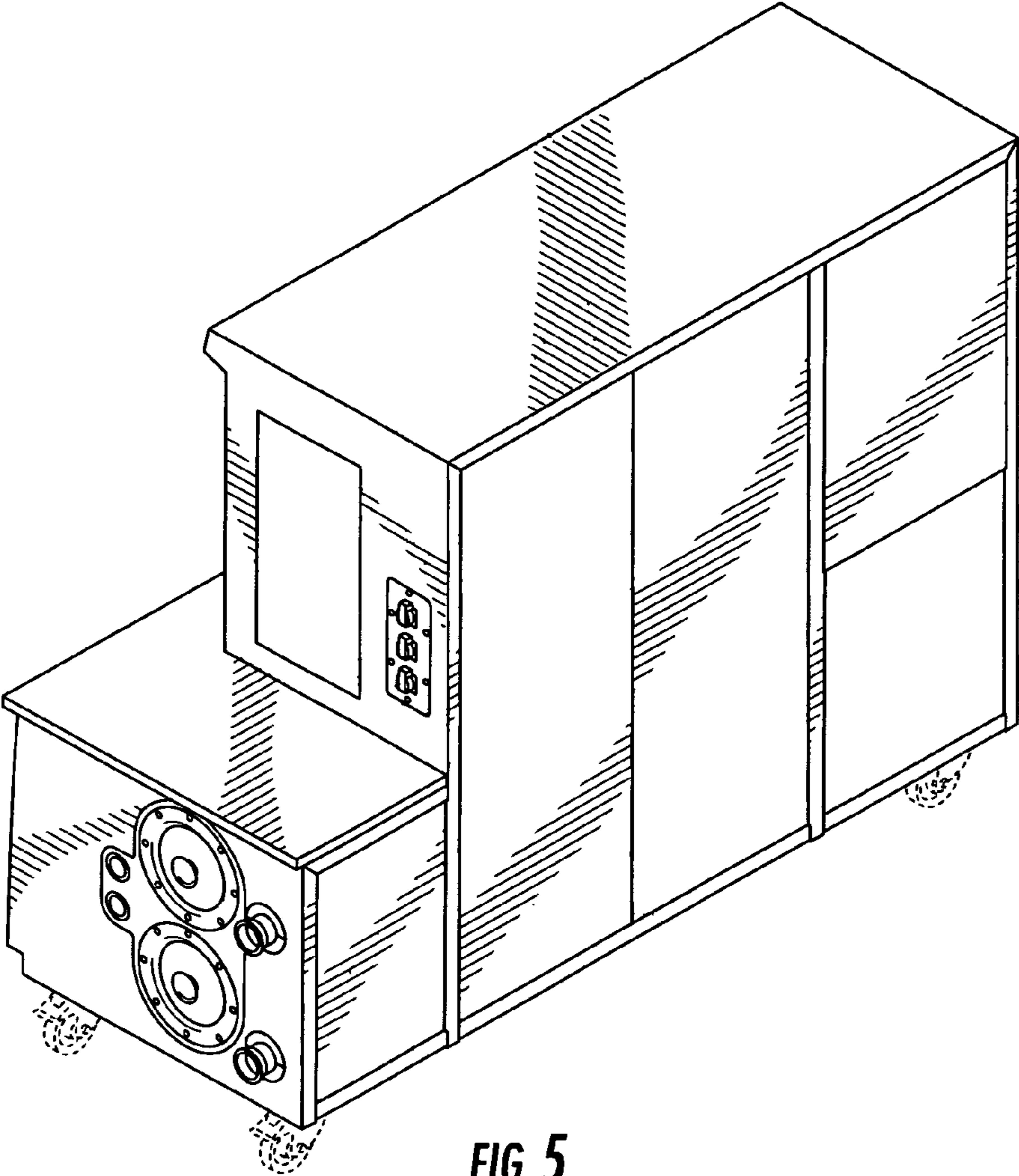


FIG. 5

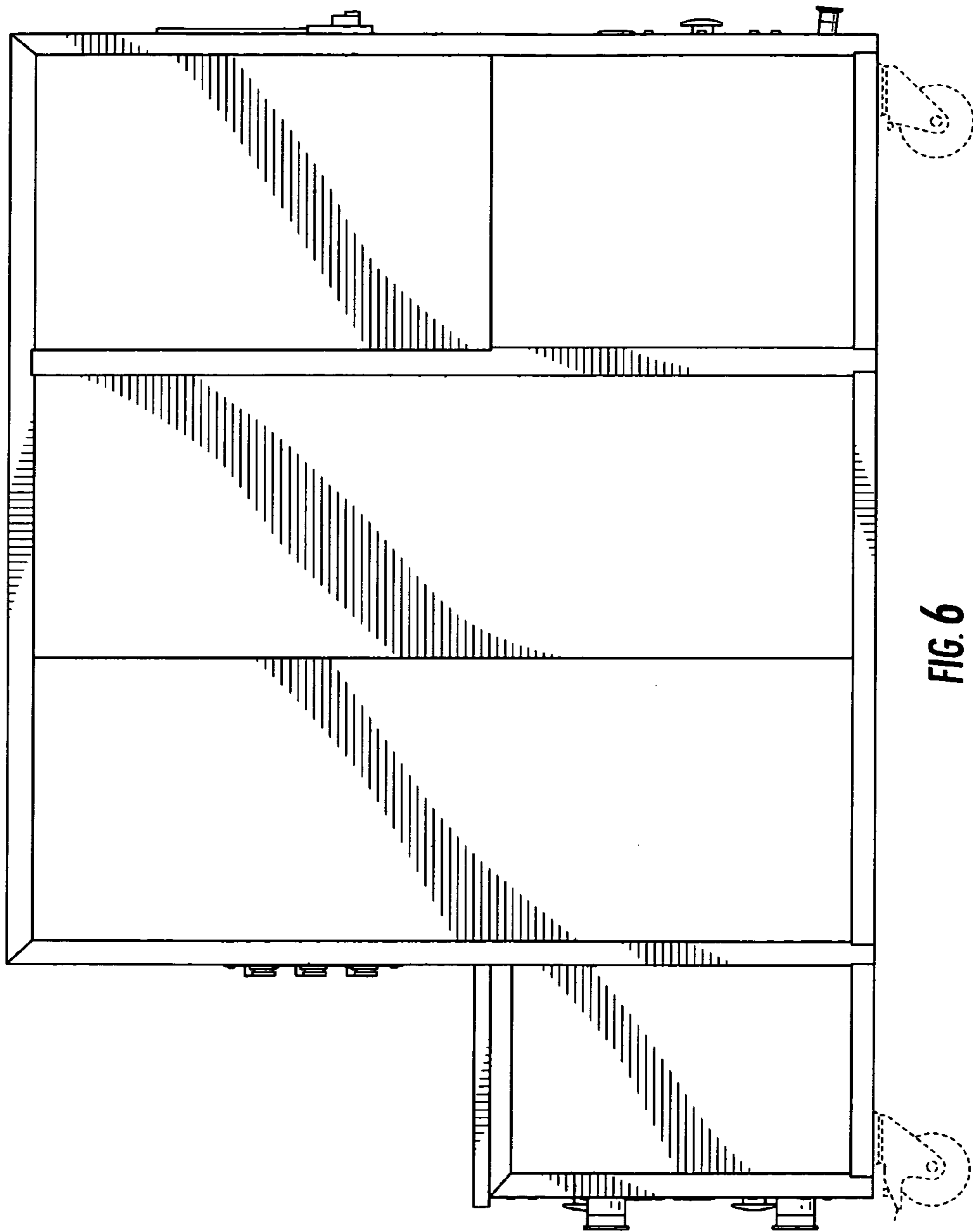


FIG. 6

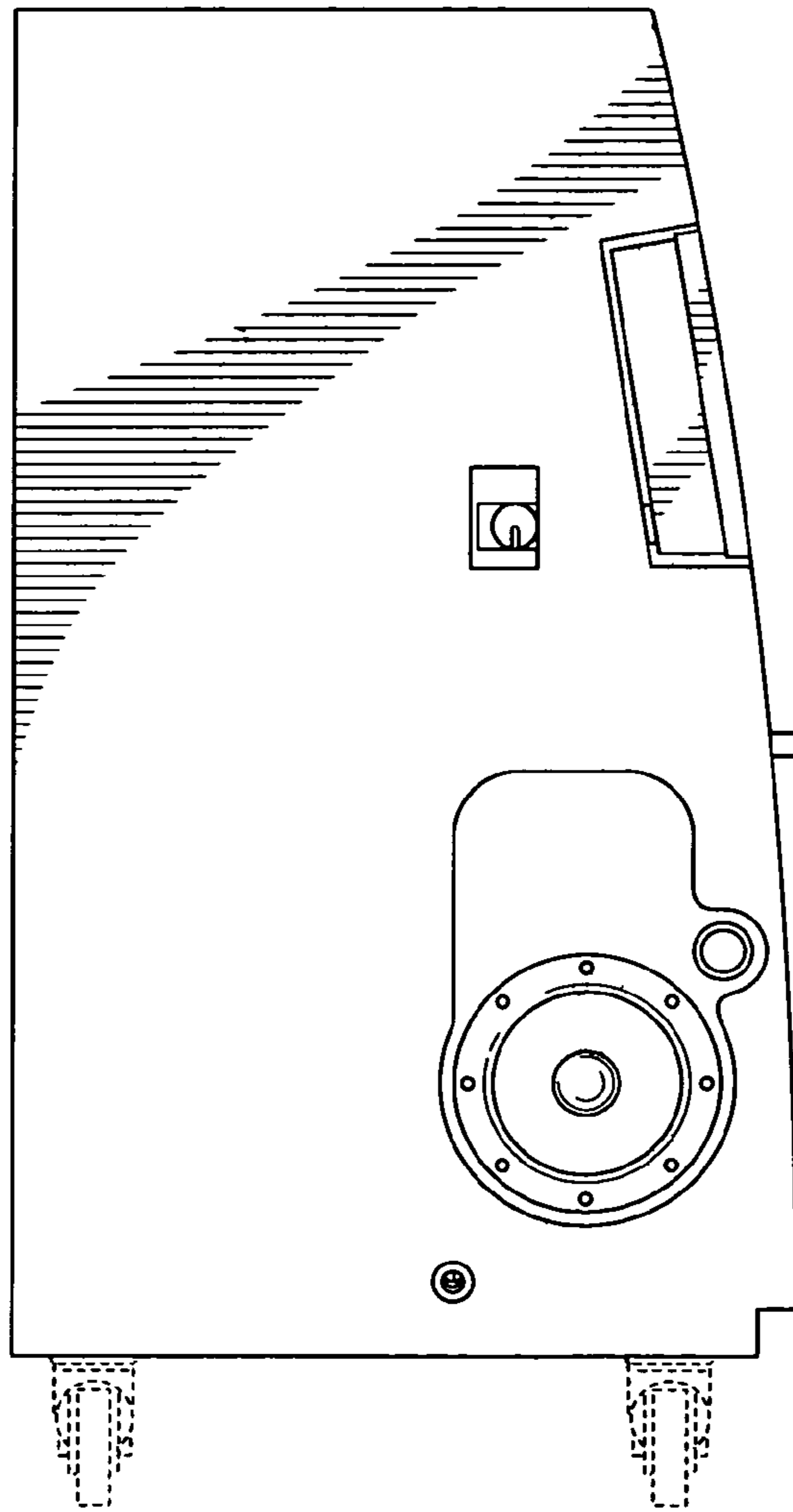


FIG. 7

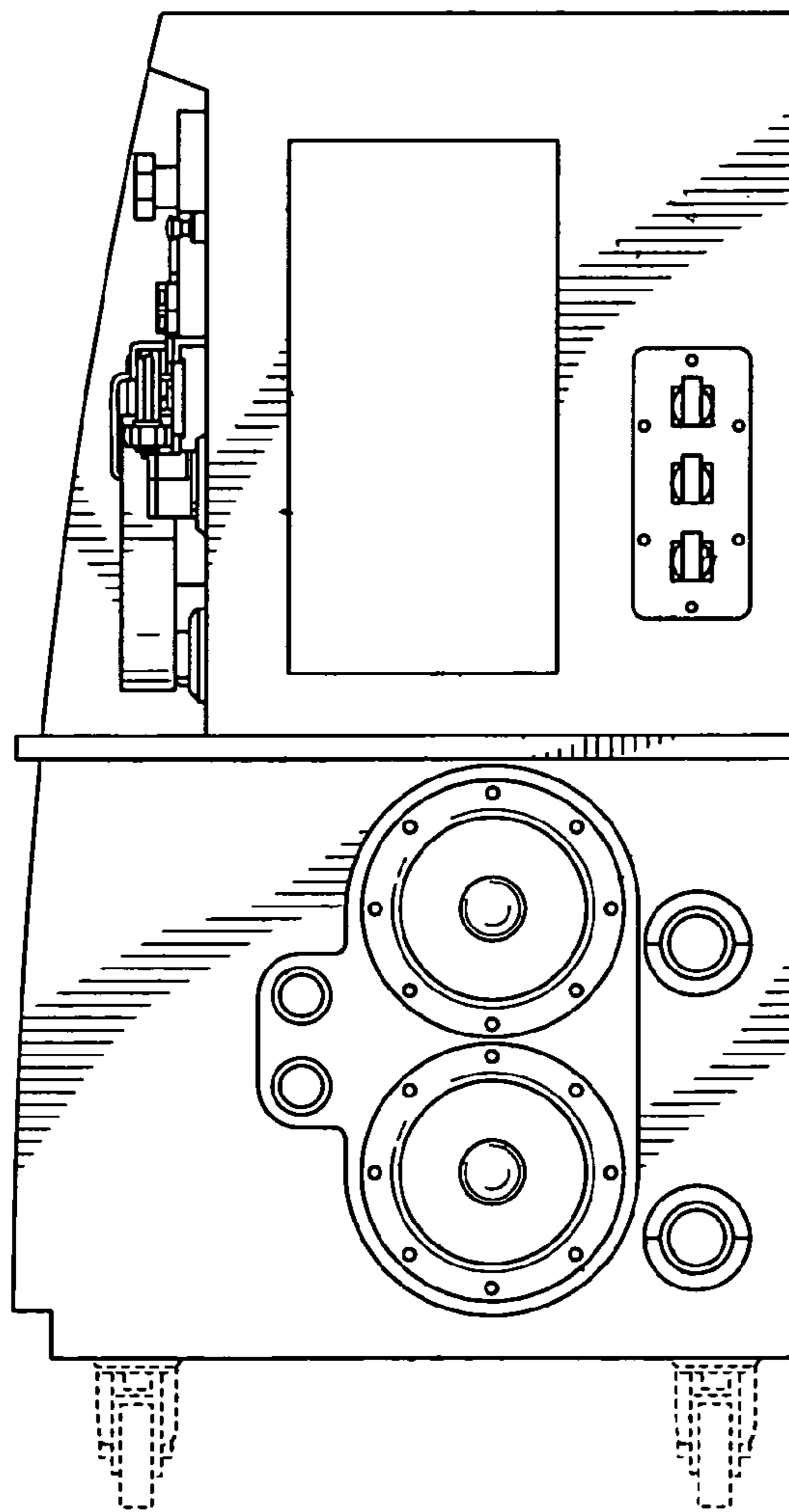


FIG. 8

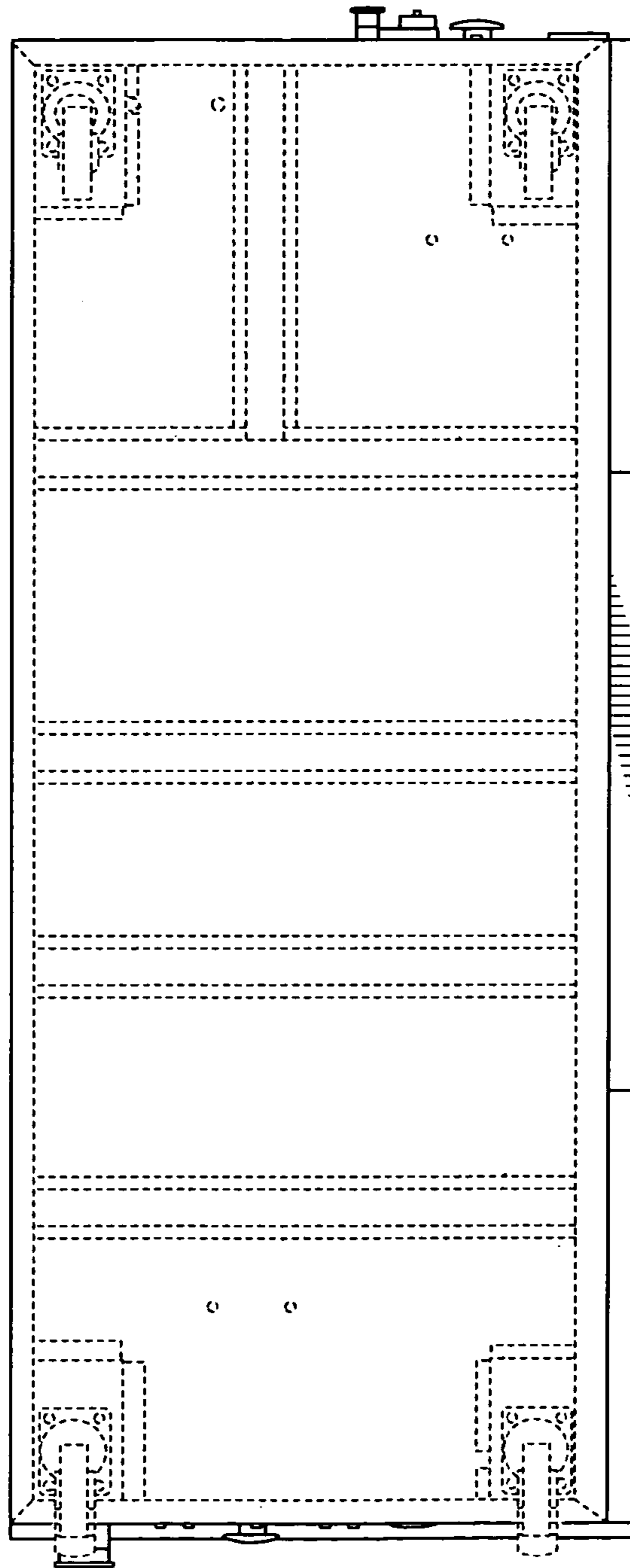


FIG. 9