



US00D674419S

(12) **United States Design Patent**  
**Cunnington et al.**

(10) **Patent No.:** **US D674,419 S**

(45) **Date of Patent:** **\*\* Jan. 15, 2013**

(54) **CHILLING DEVICE**

(75) Inventors: **Emma Cunnington**, Boca Raton, FL (US); **William Goralski**, Delray Beach, FL (US); **Claus Jensen**, Copenhagen NV (DK); **Henrik Holbaek**, Copenhagen NV (DK)

(73) Assignee: **Sunbeam Products, Inc.**, Boca Raton, FL (US)

(\*\*) Term: **14 Years**

(21) Appl. No.: **29/393,541**

(22) Filed: **Jun. 6, 2011**

(51) **LOC (9) Cl.** ..... **15-07**

(52) **U.S. Cl.** ..... **D15/90**

(58) **Field of Classification Search** ..... D15/89, D15/90; 62/1, 529-530, 331, 457.1; 362/34, 362/84, 101, 109, 158, 186, 189, 253, 276, 362/318

See application file for complete search history.

(56) **References Cited**

**U.S. PATENT DOCUMENTS**

D272,232 S \* 1/1984 Parmentier ..... D15/90  
5,603,219 A \* 2/1997 Kolb ..... 62/1

D446,226 S \* 8/2001 Heredia ..... D15/90  
D552,633 S \* 10/2007 Volkan ..... D15/90  
D650,398 S \* 12/2011 Hannon ..... D15/90  
2002/0133991 A1 \* 9/2002 Nielson ..... 40/661

\* cited by examiner

*Primary Examiner* — Mitchell Siegel

(74) *Attorney, Agent, or Firm* — Michael J. Corrigan

(57) **CLAIM**

The ornamental design for a chilling device, as shown and described.

**DESCRIPTION**

FIG. 1 is a front isometric view of chilling device;  
FIG. 2 is a top view thereof;  
FIG. 3 is a front isometric view of chilling device in a holder;  
FIG. 4 is a front view of chilling device in a holder;  
FIG. 5 is a top view of chilling device in a holder;  
FIG. 6 is a bottom view of chilling device in a holder;  
FIG. 7 is a front exploded isometric view of chilling device and holder;  
FIG. 8 is a front exploded view of chilling device and holder;  
FIG. 9 is a top exploded view of chilling device and holder;  
and,  
FIG. 10 is a bottom exploded view of chilling device and holder.

**1 Claim, 2 Drawing Sheets**

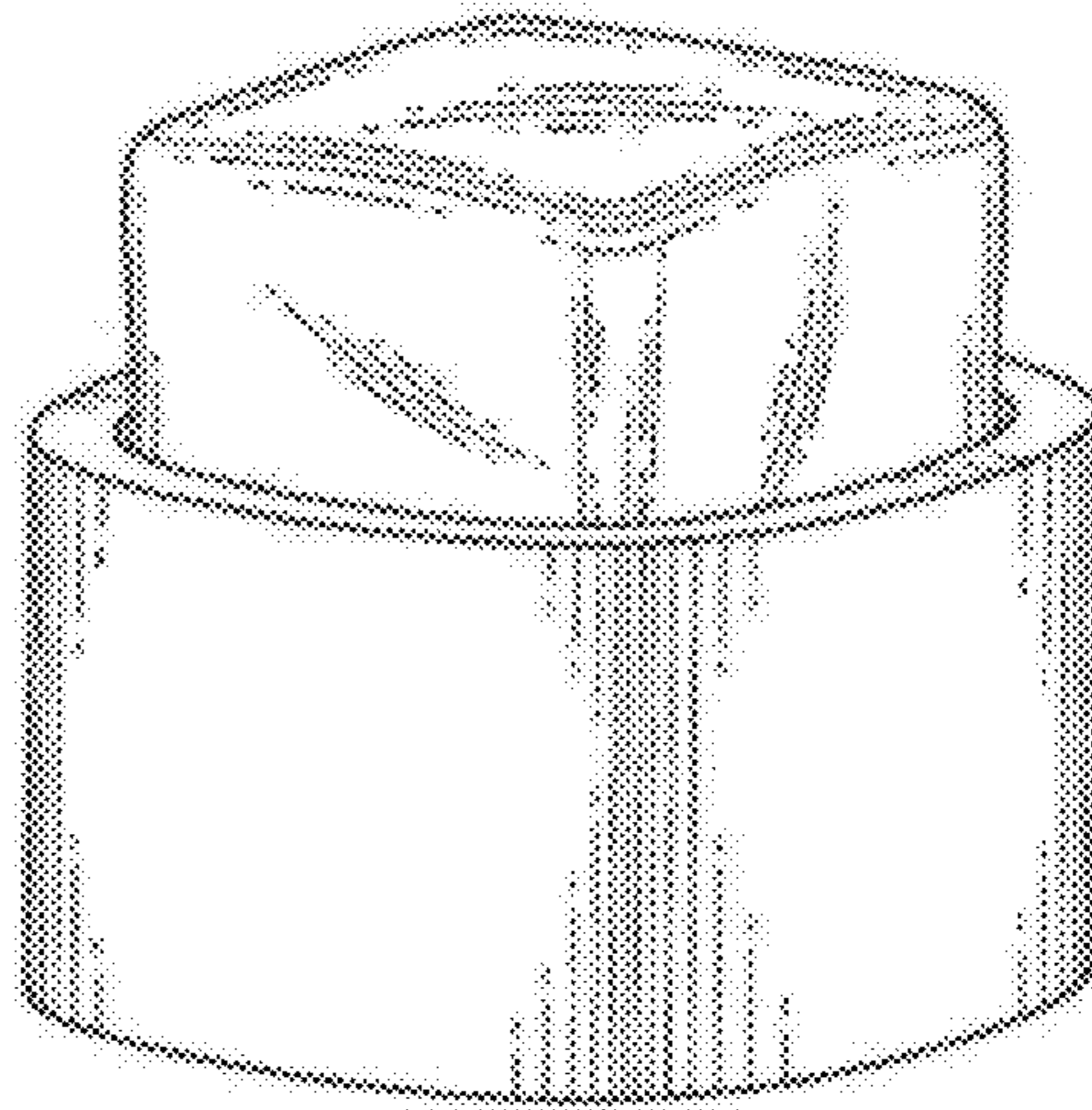
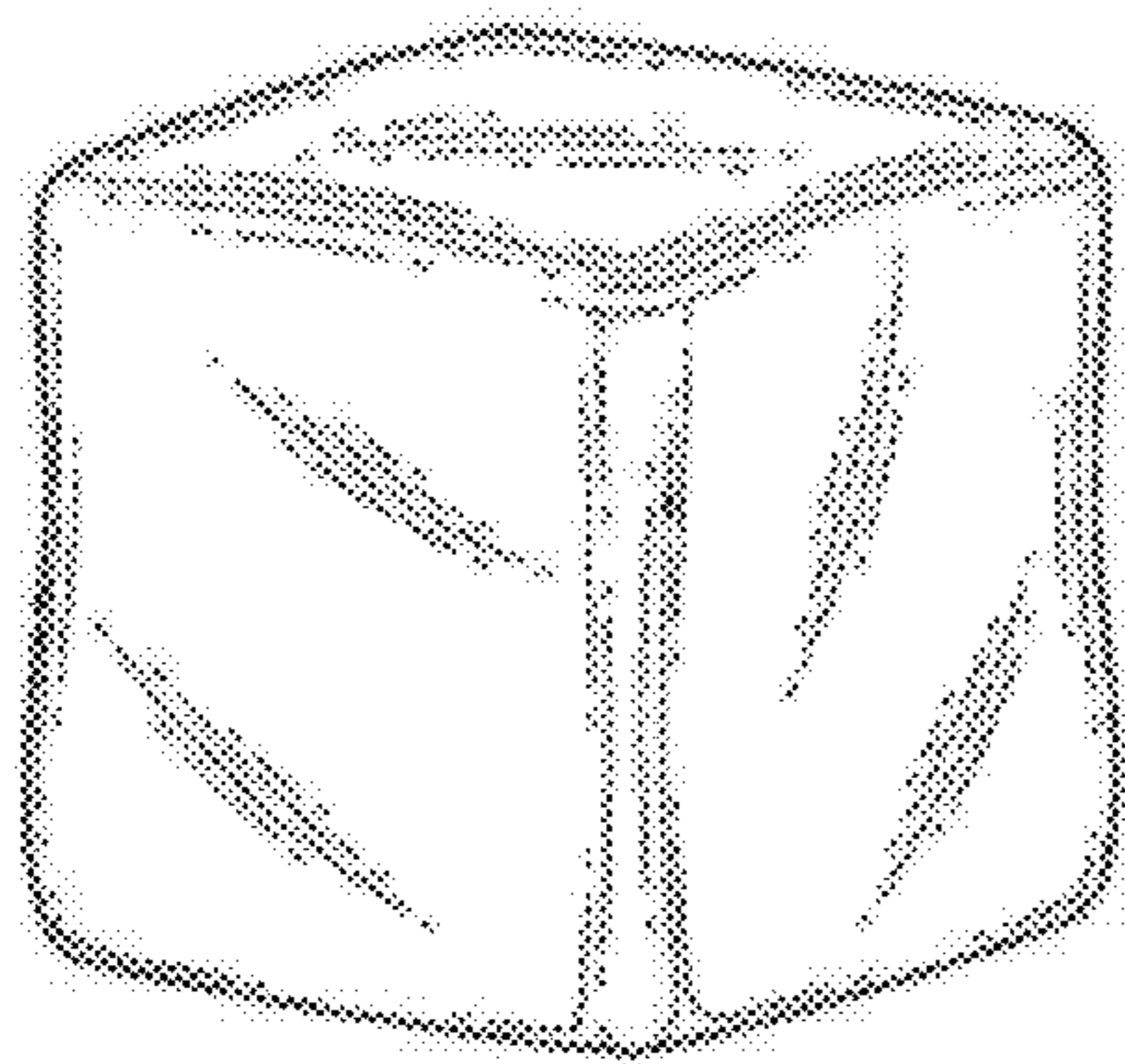


FIG. 1

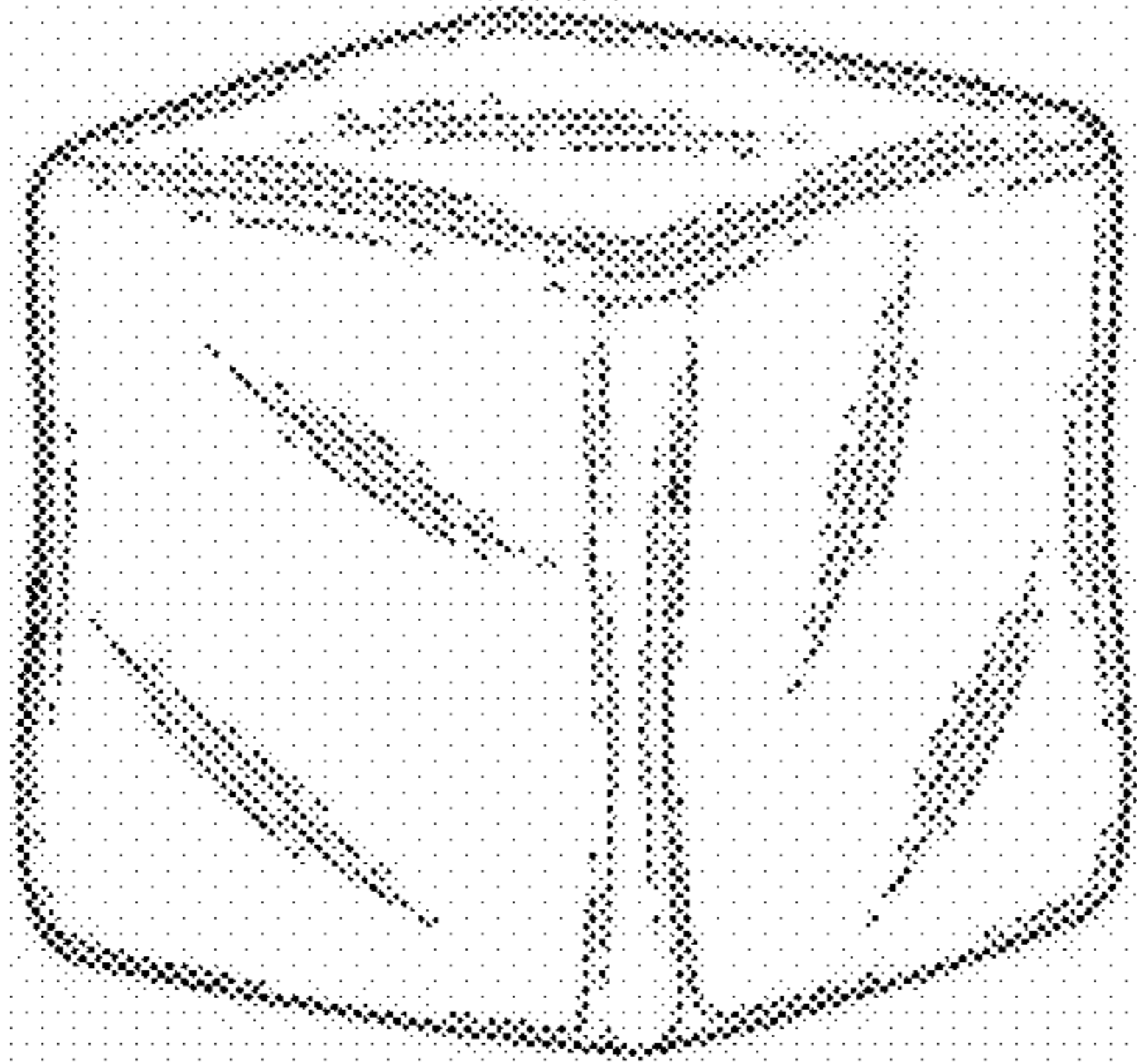


FIG. 2

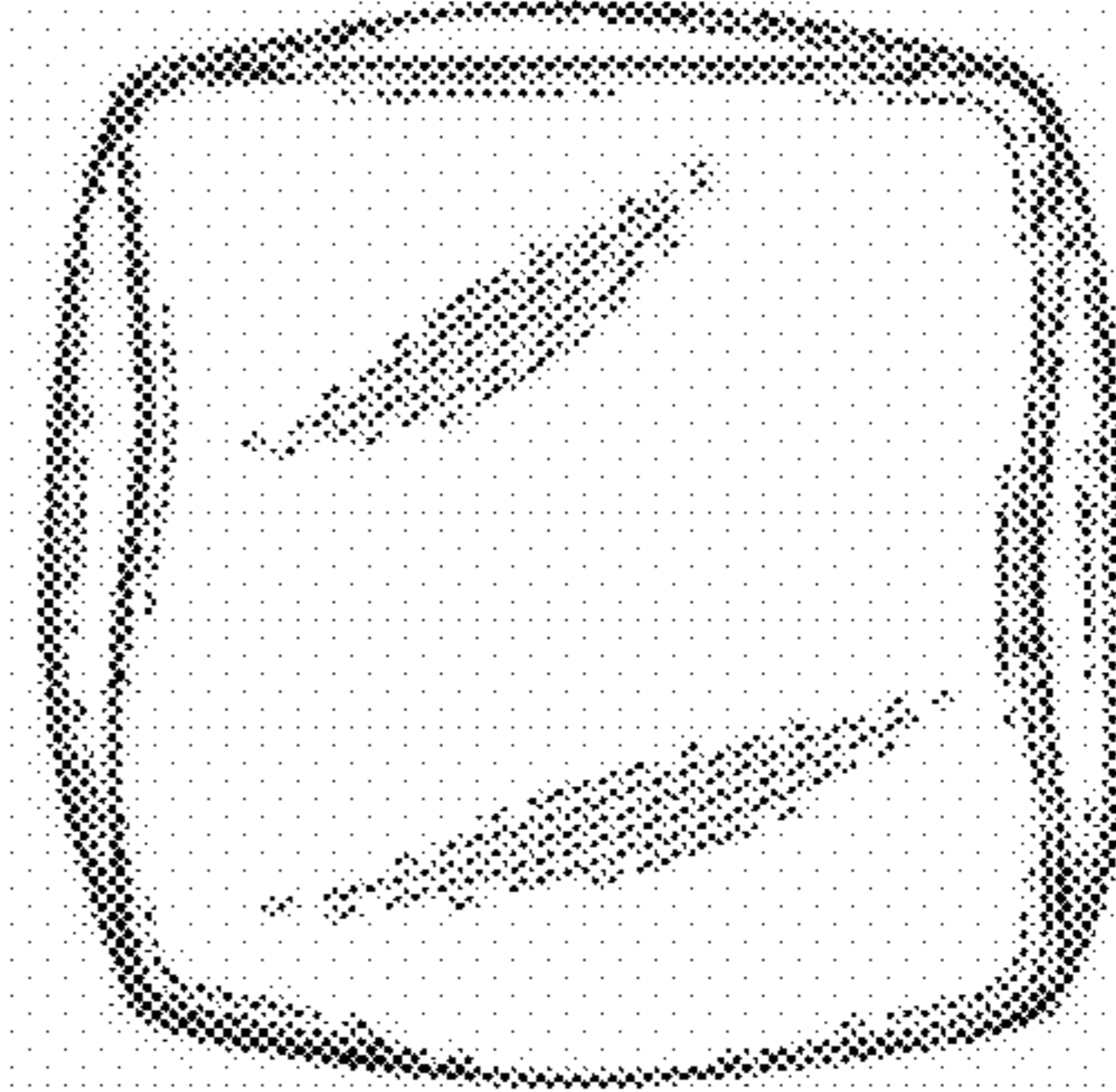


FIG. 3

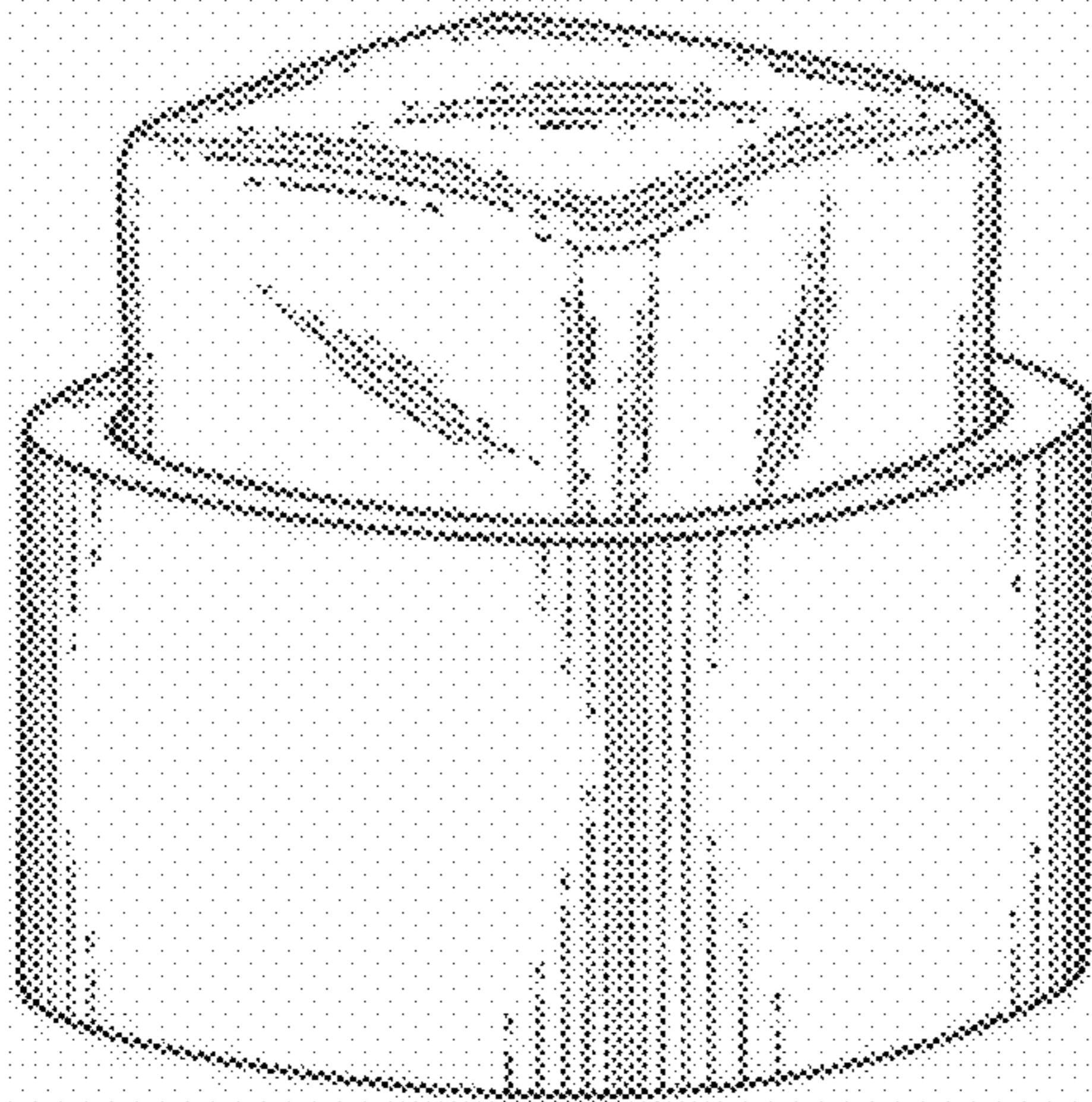


FIG. 4

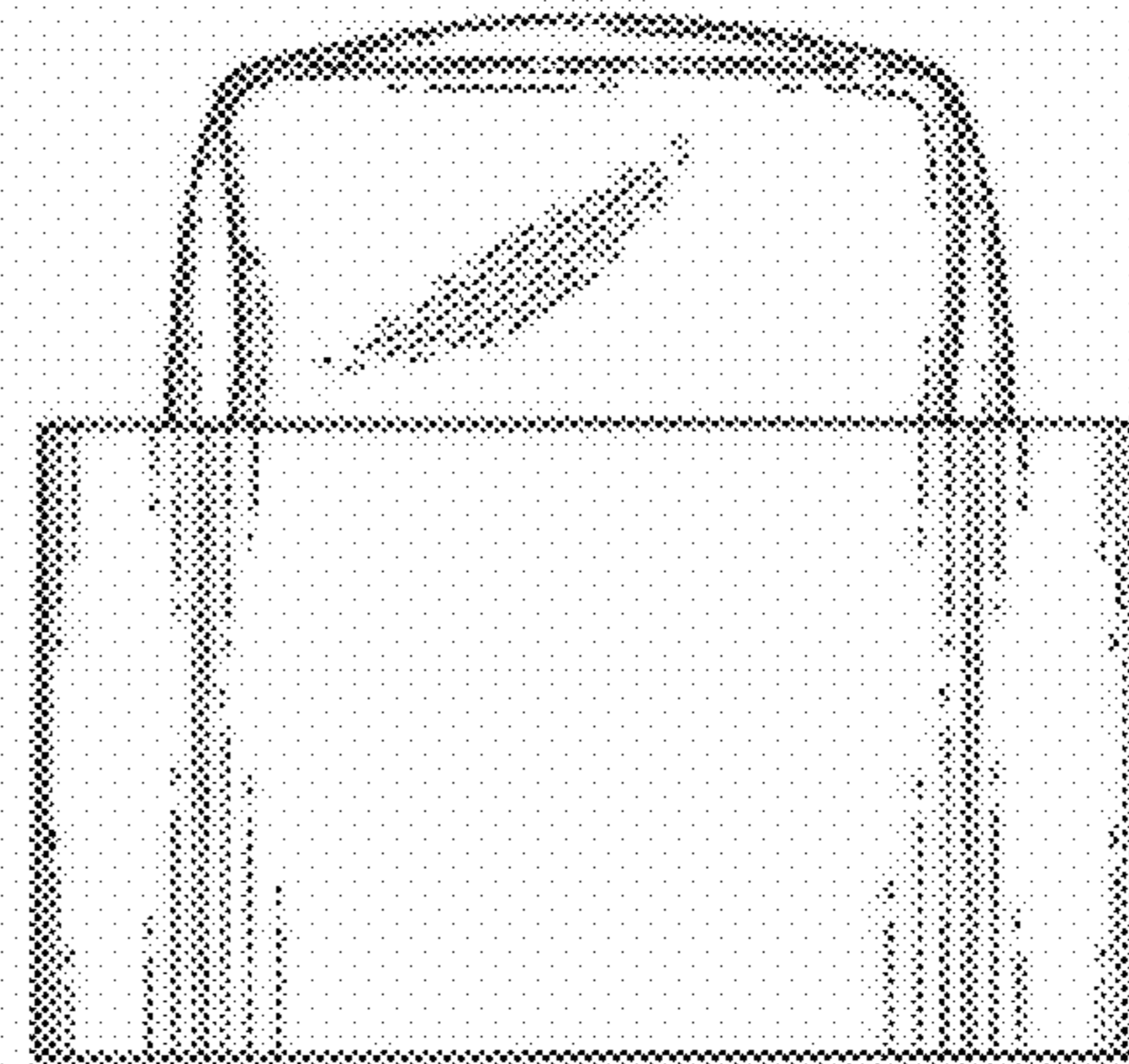


FIG. 5

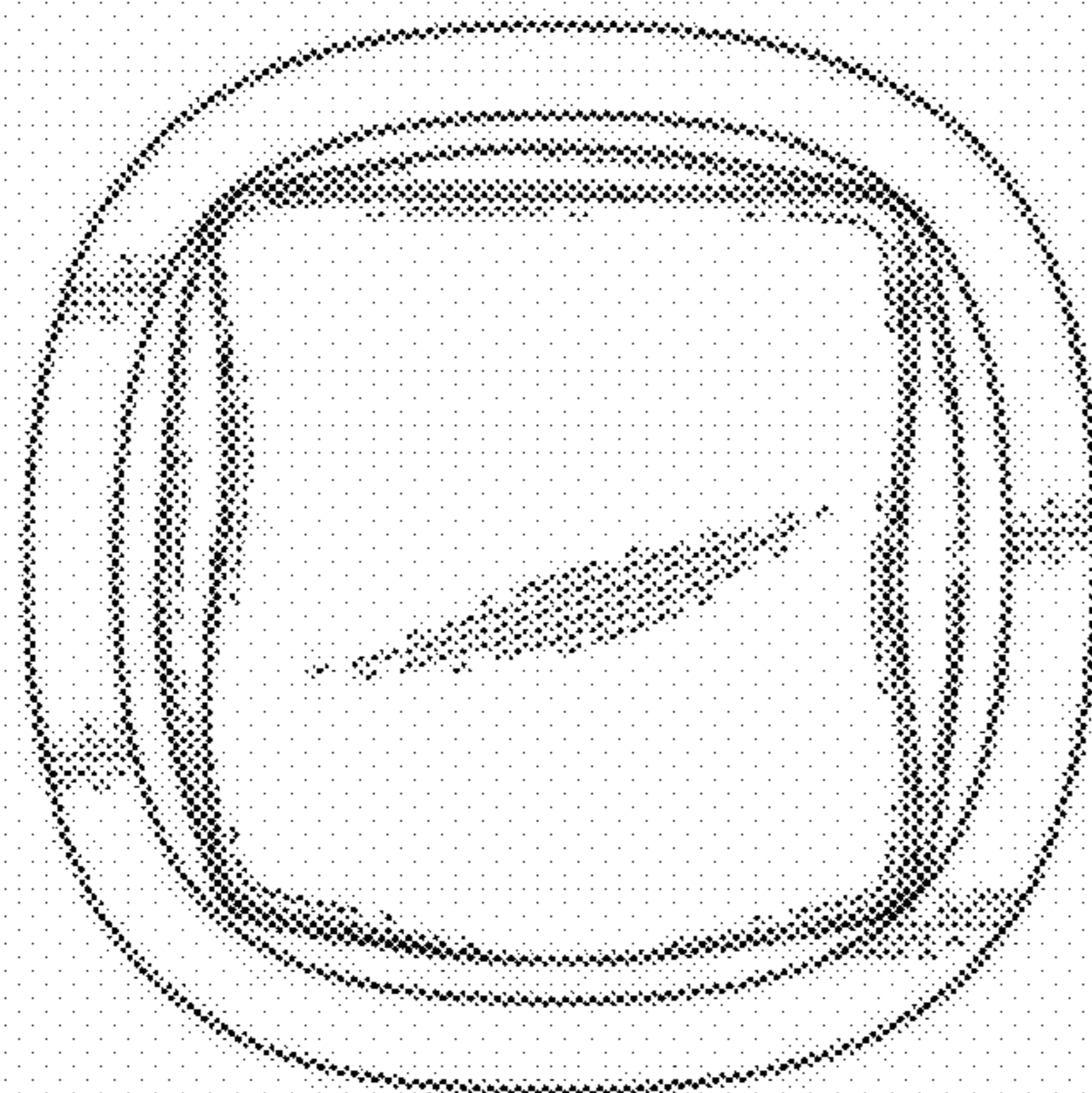


FIG. 6

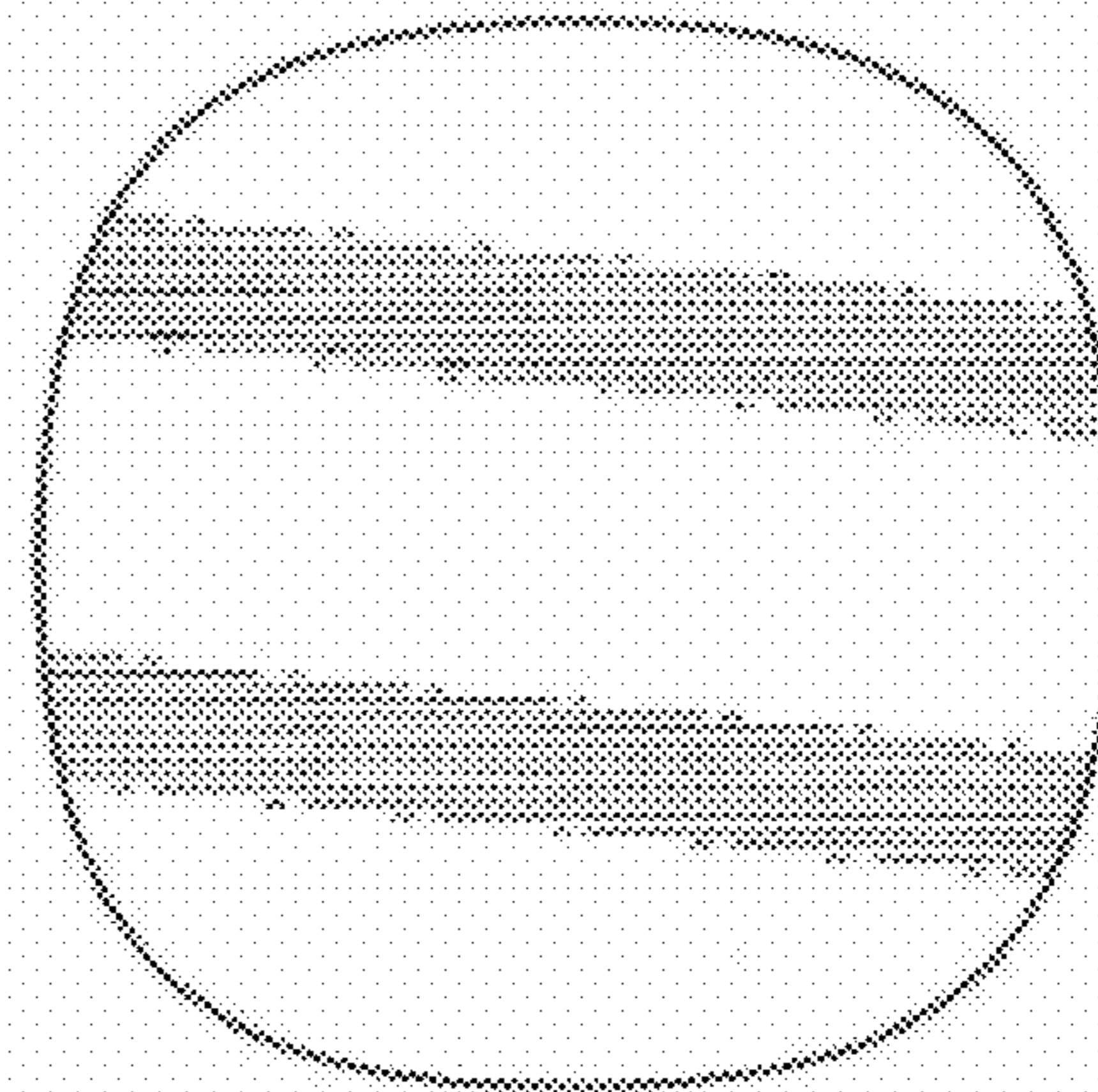


FIG. 7

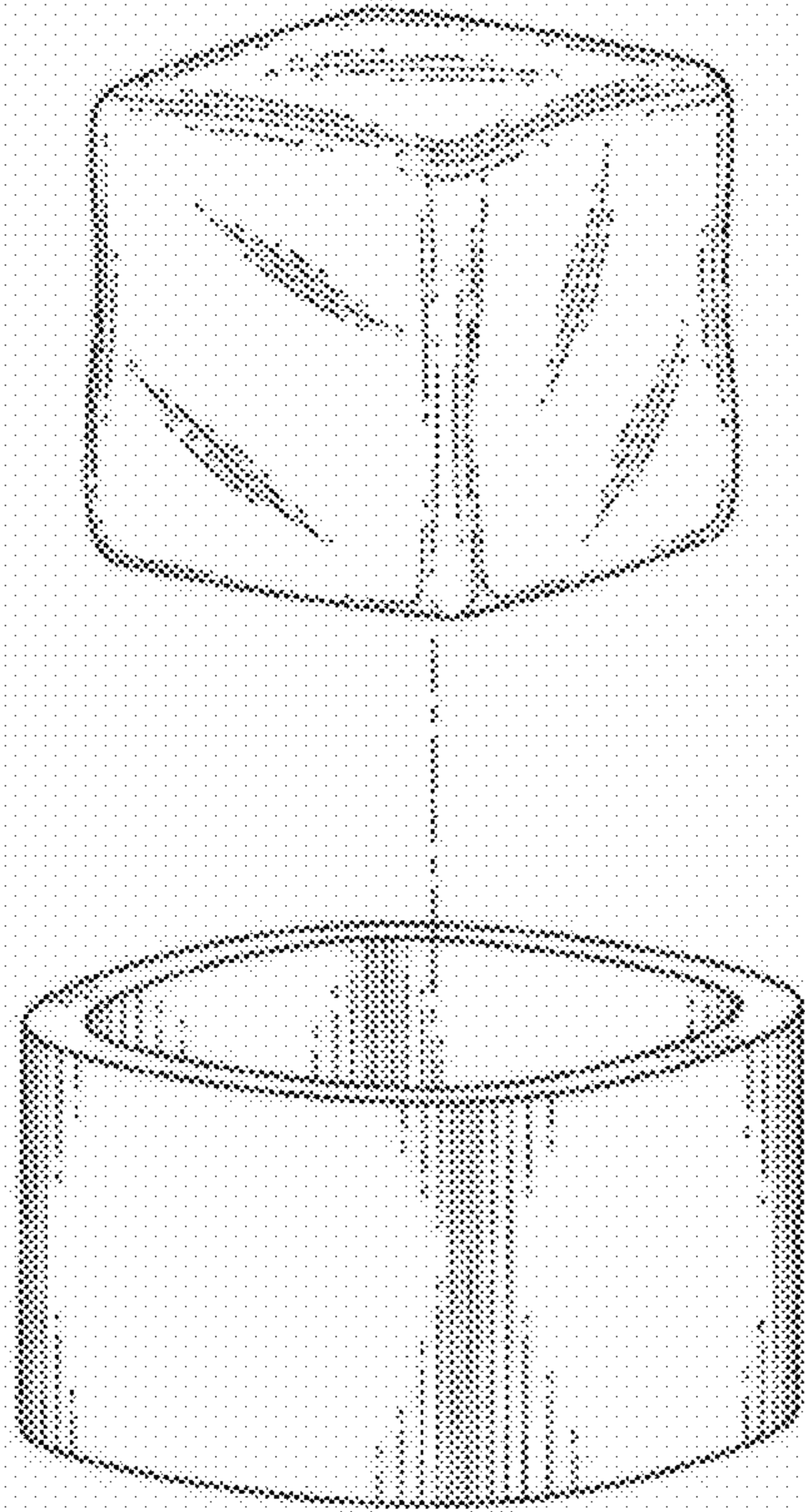


FIG. 8

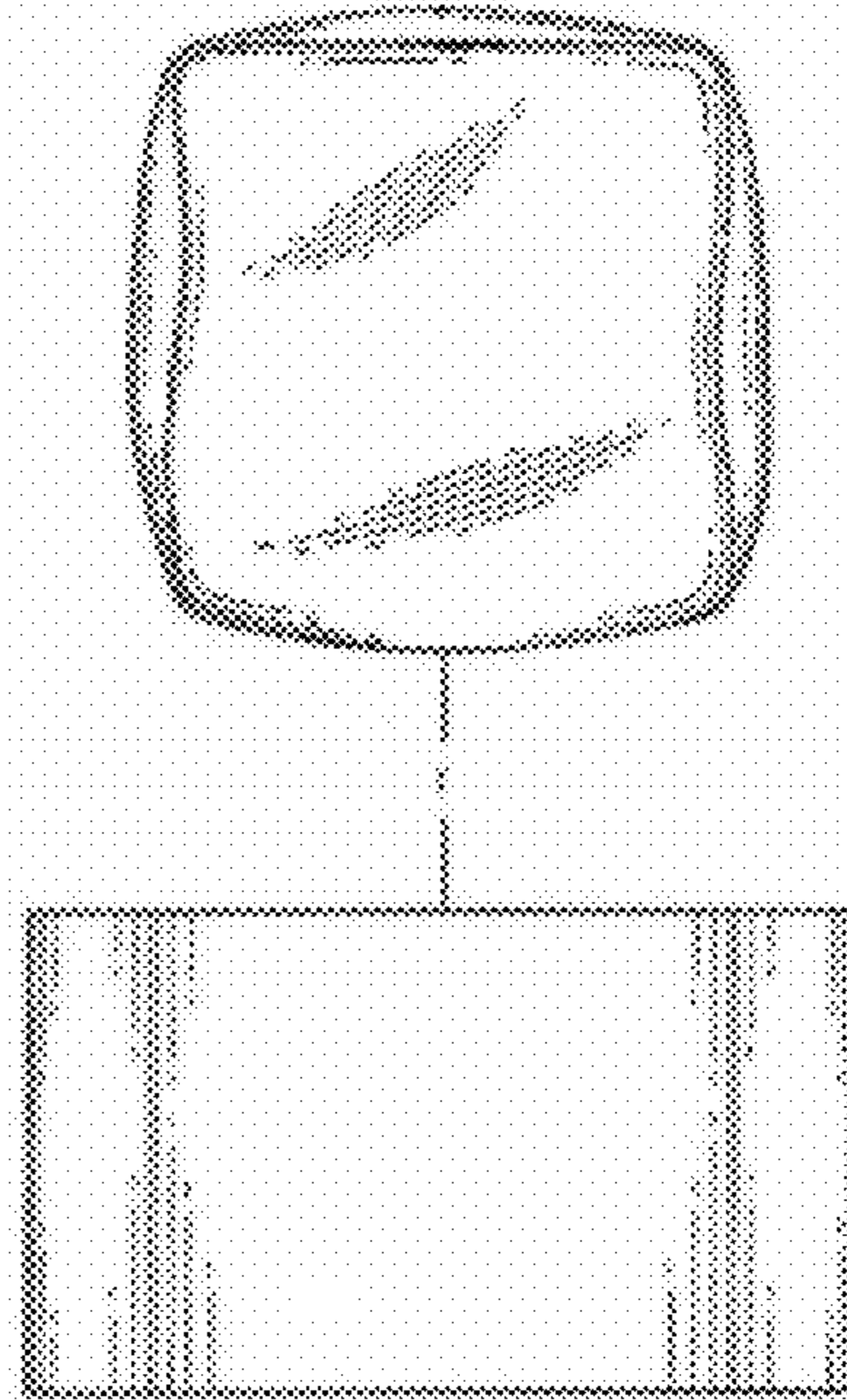


FIG. 9

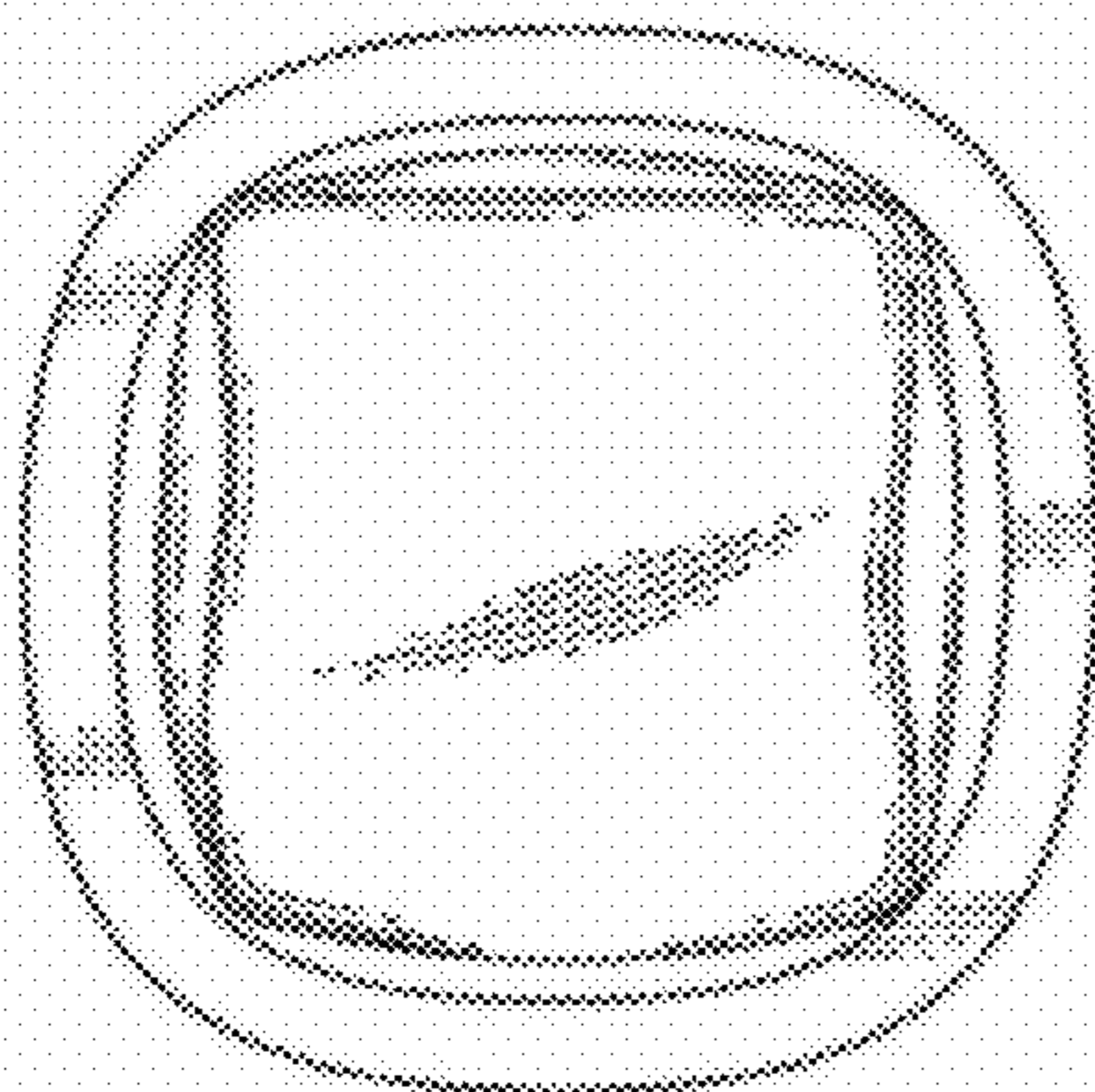


FIG. 10

