



US00D674412S

(12) **United States Design Patent**
Woolford et al.

(10) **Patent No.:** **US D674,412 S**
(45) **Date of Patent:** **** Jan. 15, 2013**

(54) **CHILLER**

(75) Inventors: **Simon Woolford**, Farnborough (GB);
Chris Althorpe, Cardiff (GB); **Michael**
John Unwin, Bristol (GB); **Bruce**
Hannant, London (GB)

(73) Assignee: **Mars, Incorporated**, McLean, VA (US)

(**) Term: **14 Years**

(21) Appl. No.: **29/414,250**

(22) Filed: **Feb. 27, 2012**

(51) **LOC (9) Cl.** **15-07**

(52) **U.S. Cl.** **D15/79**

(58) **Field of Classification Search** D15/79-88;
D7/605-608; 62/457.1-457.9, 371-373,
62/3.62, 246-254; 312/400-408, 116, 119,
312/139.2, 236

See application file for complete search history.

(56) **References Cited**

U.S. PATENT DOCUMENTS

D82,770 S *	12/1930	Terry	D15/81
D266,000 S *	8/1982	Kawakami	D15/88
D314,579 S *	2/1991	Maxwell et al.	D15/80
D317,454 S *	6/1991	Matsumura et al.	D15/83
5,249,706 A *	10/1993	Szabo	D15/81
D394,270 S *	5/1998	Strandell et al.	D15/80
D468,755 S *	1/2003	Muniz-Rivera et al.	D15/81
D471,922 S *	3/2003	Sawhney et al.	D15/81
D475,068 S *	5/2003	Wang	D15/81

D477,000 S *	7/2003	Aldous et al.	D15/81
D481,741 S *	11/2003	Yuen	D15/81
D486,467 S *	2/2004	Yuen	D15/81
D494,606 S *	8/2004	Krieger et al.	D15/81
D502,471 S *	3/2005	Yuen	D15/81
D534,999 S *	1/2007	Hussaini et al.	D15/81
D556,792 S *	12/2007	Moran	D15/81
D568,909 S *	5/2008	Santiago	D15/81
D571,157 S *	6/2008	Chan et al.	D7/605
D594,483 S *	6/2009	Cefalu	D15/81
D618,257 S *	6/2010	Hanamure et al.	D15/79
D618,965 S *	7/2010	Voron et al.	D15/79

* cited by examiner

Primary Examiner — Mitchell Siegel

(74) *Attorney, Agent, or Firm* — Arent Fox LLP

(57) **CLAIM**

The ornamental design for a chiller, as shown and described.

DESCRIPTION

FIG. 1 is a perspective view of a chiller showing our new design;

FIG. 2 is a front view of the design shown in FIG. 1;

FIG. 3 is a rear view of the design shown in FIG. 1;

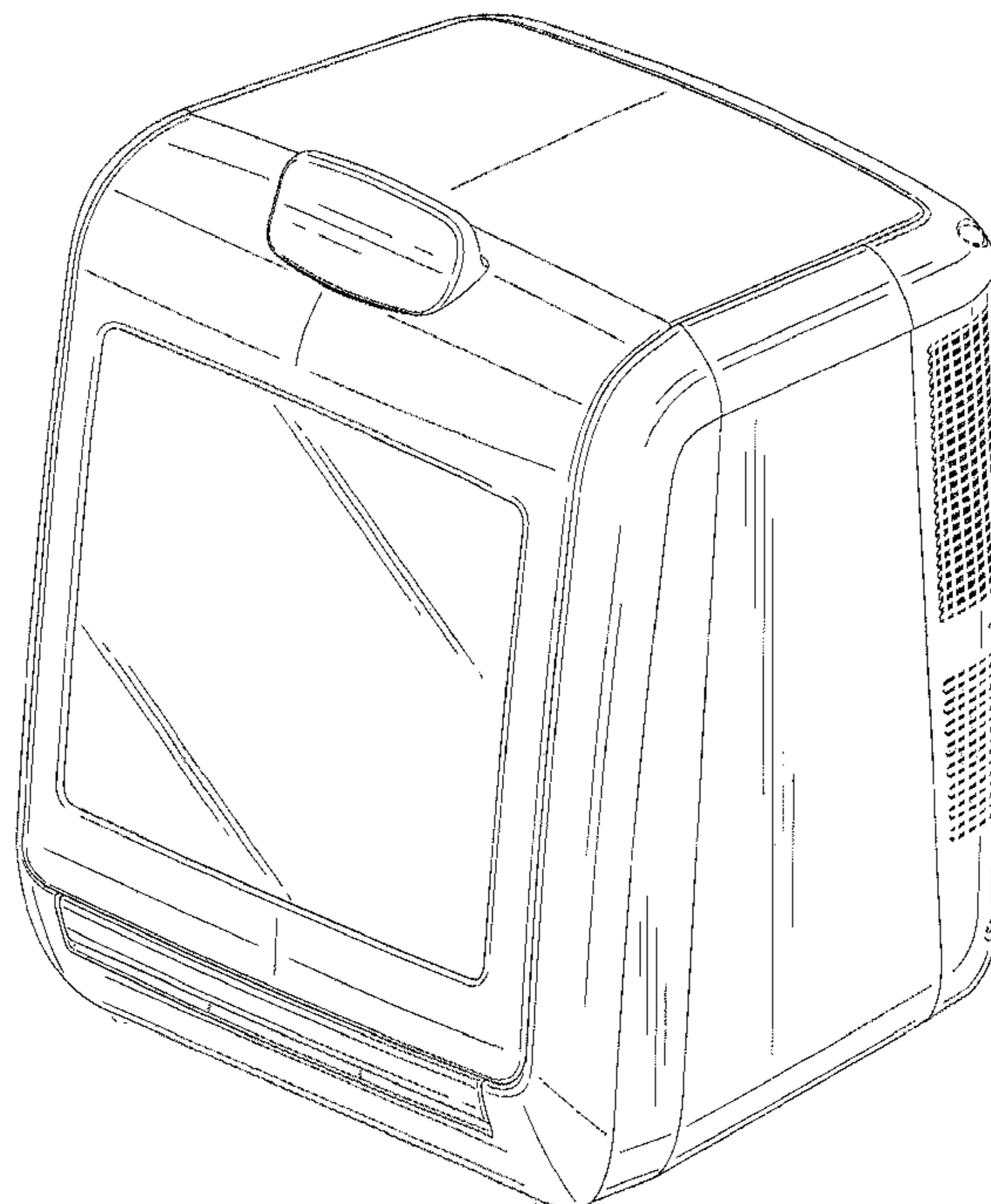
FIG. 4 is a left side view of the design shown in FIG. 1;

FIG. 5 is a right side view of the design shown in FIG. 1;

FIG. 6 is a top view of the design shown in FIG. 1; and,

FIG. 7 is a bottom view of the design shown in FIG. 1.

1 Claim, 7 Drawing Sheets



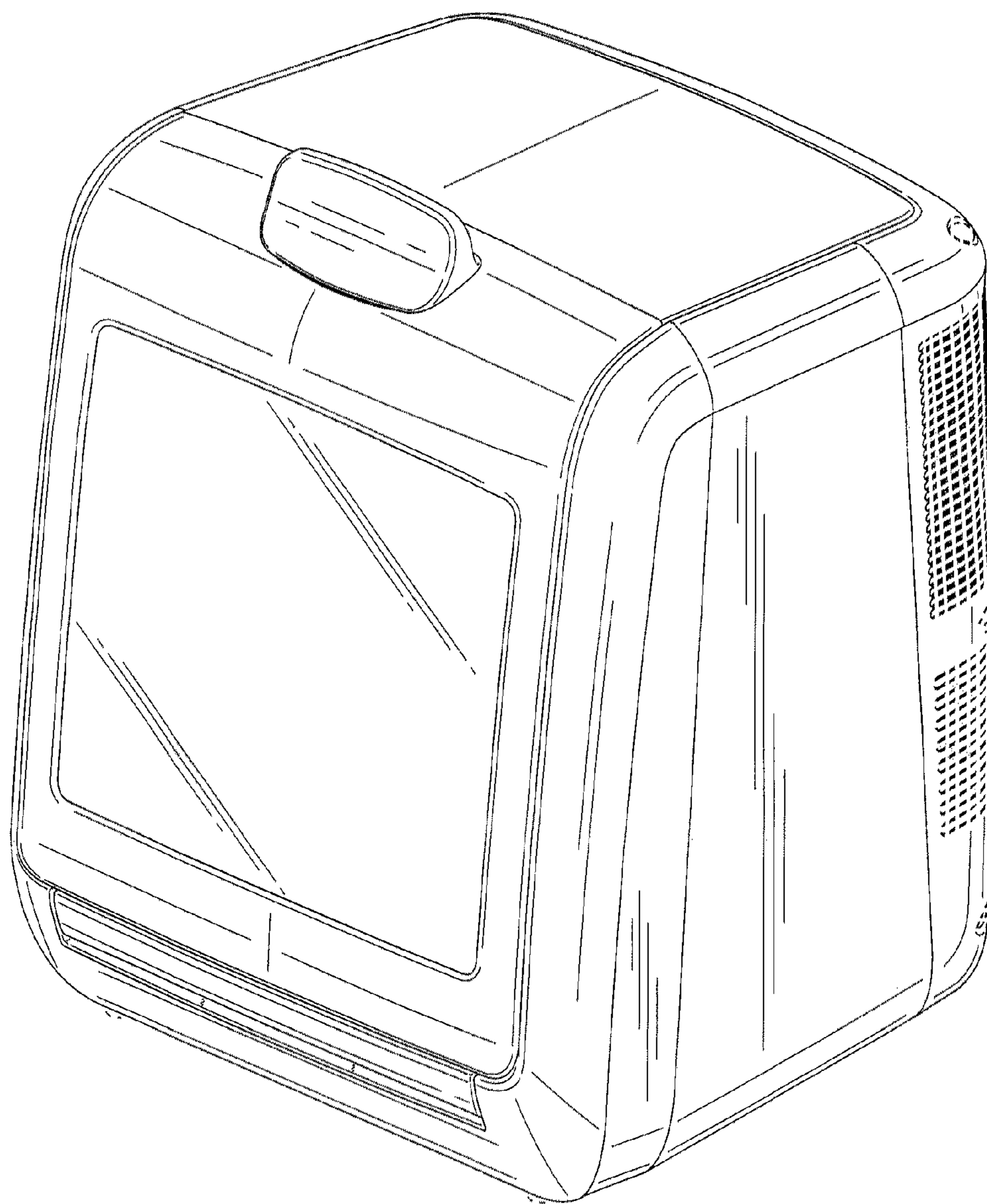


FIG.1

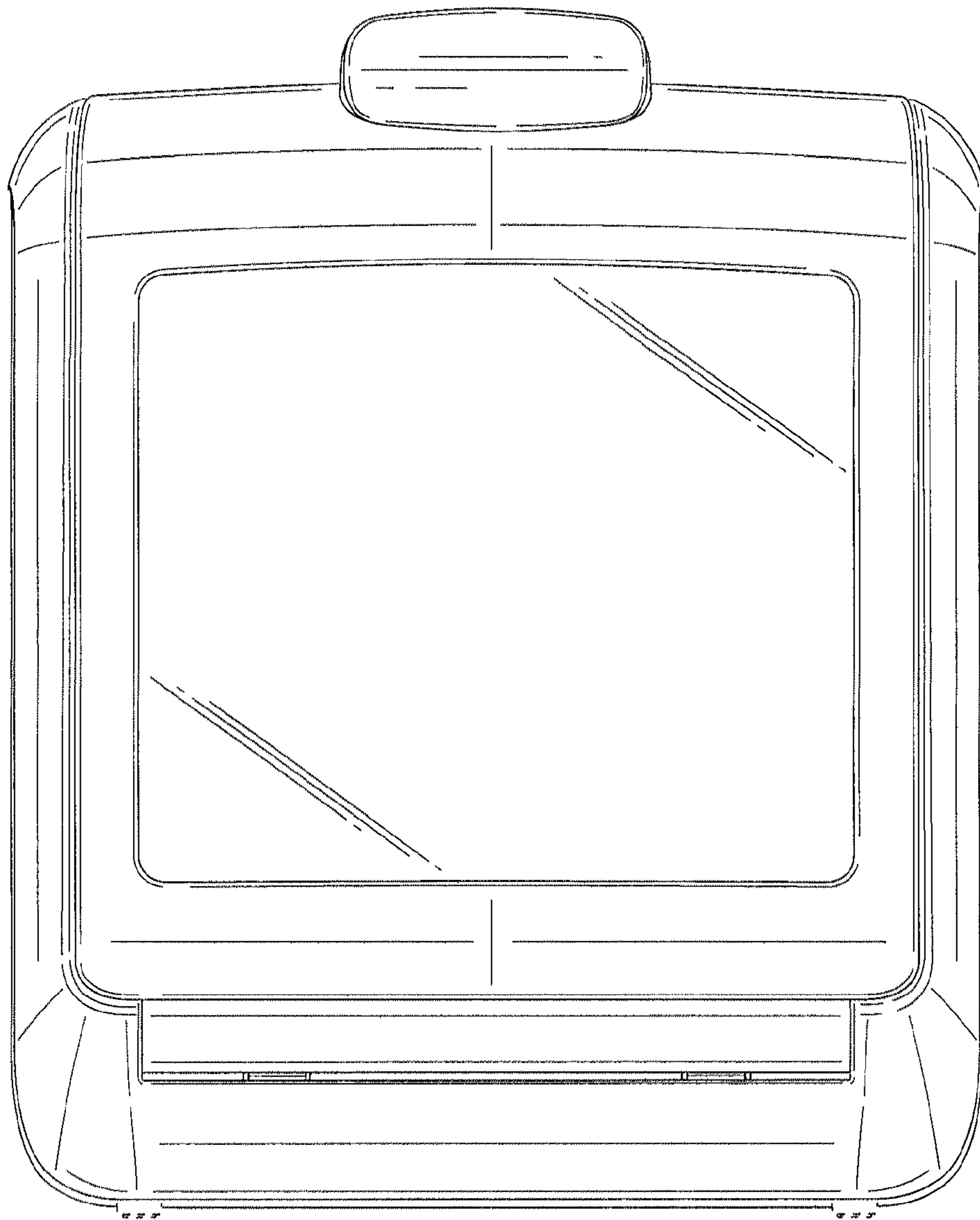


FIG.2

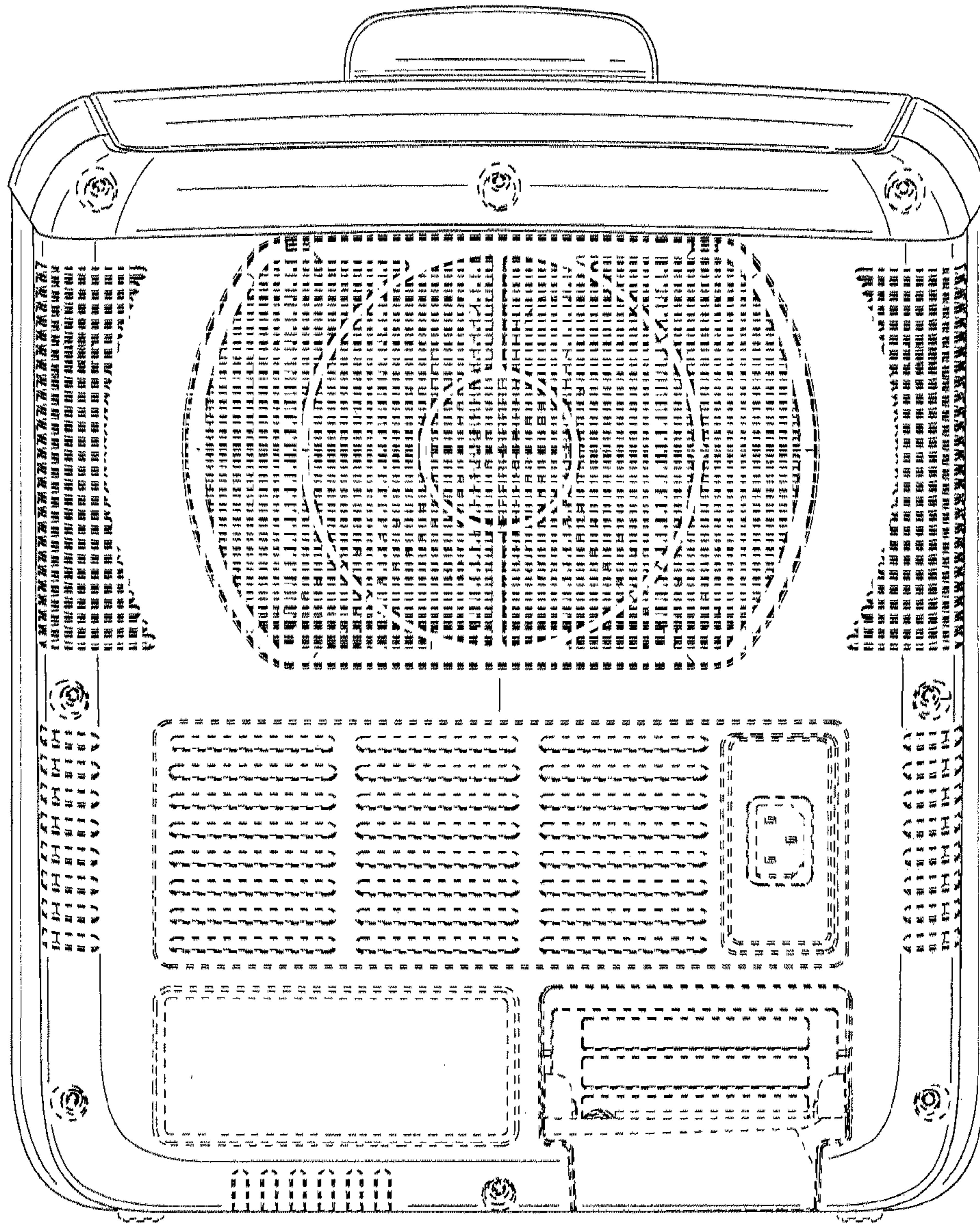


FIG.3

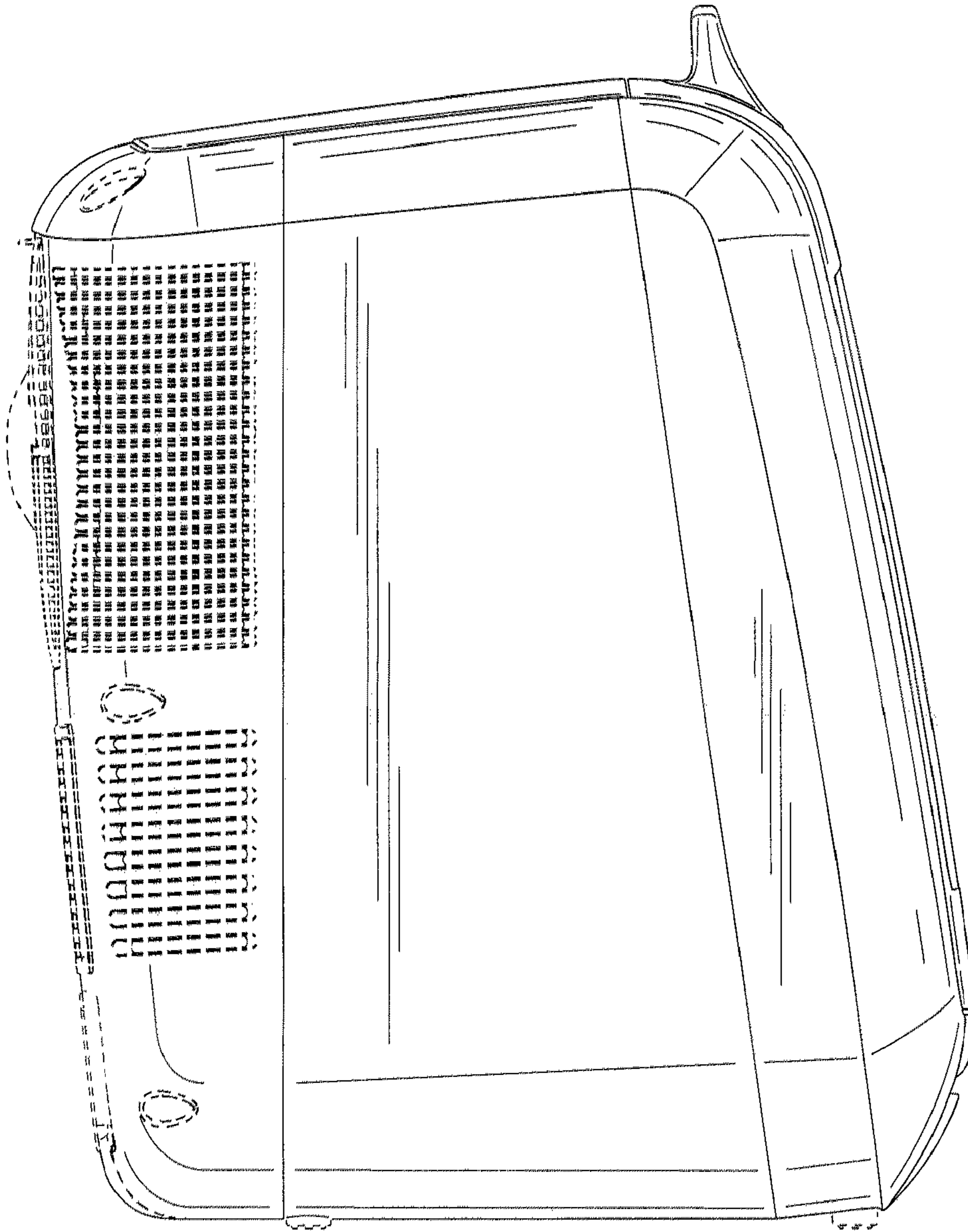


FIG.4

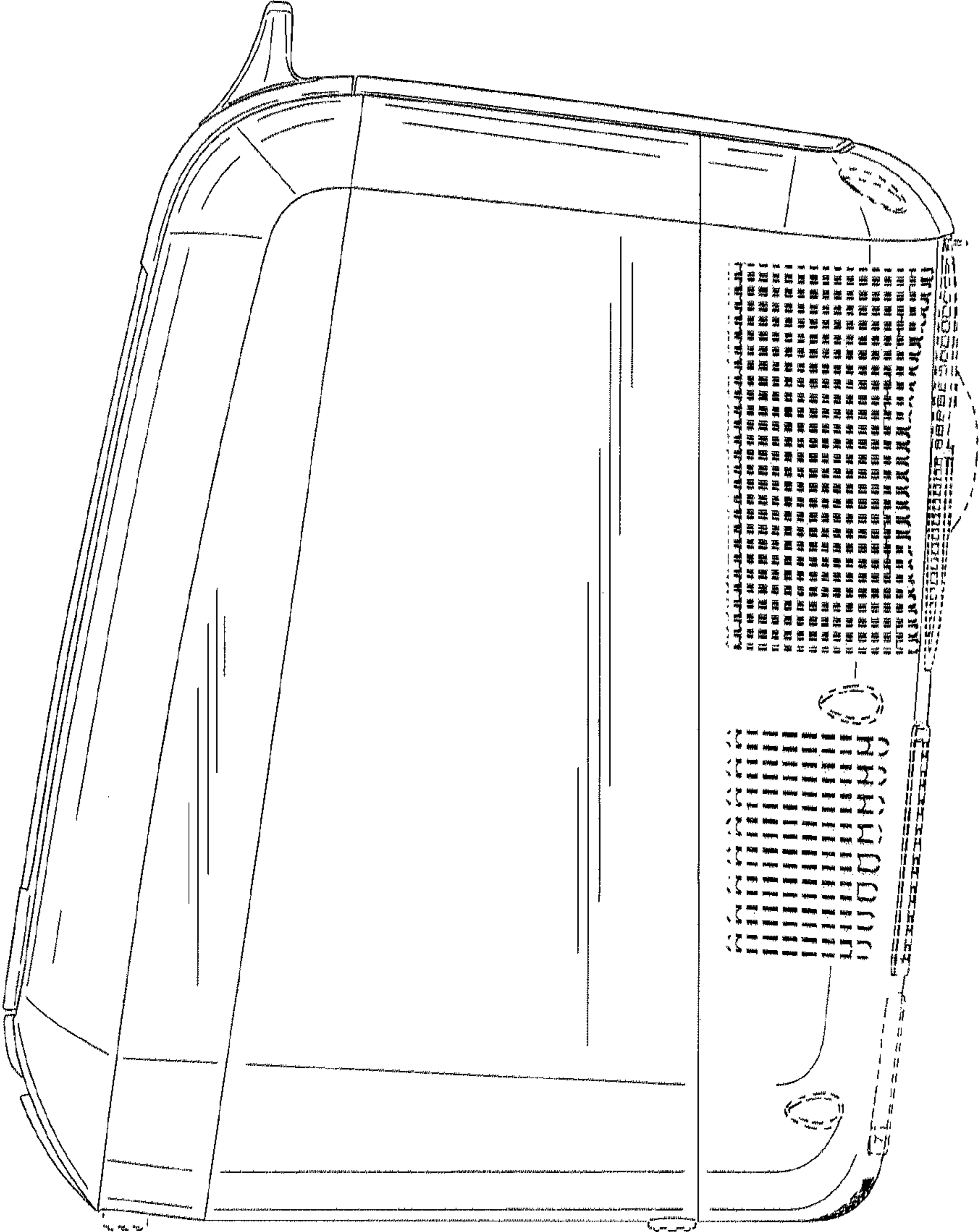


FIG.5

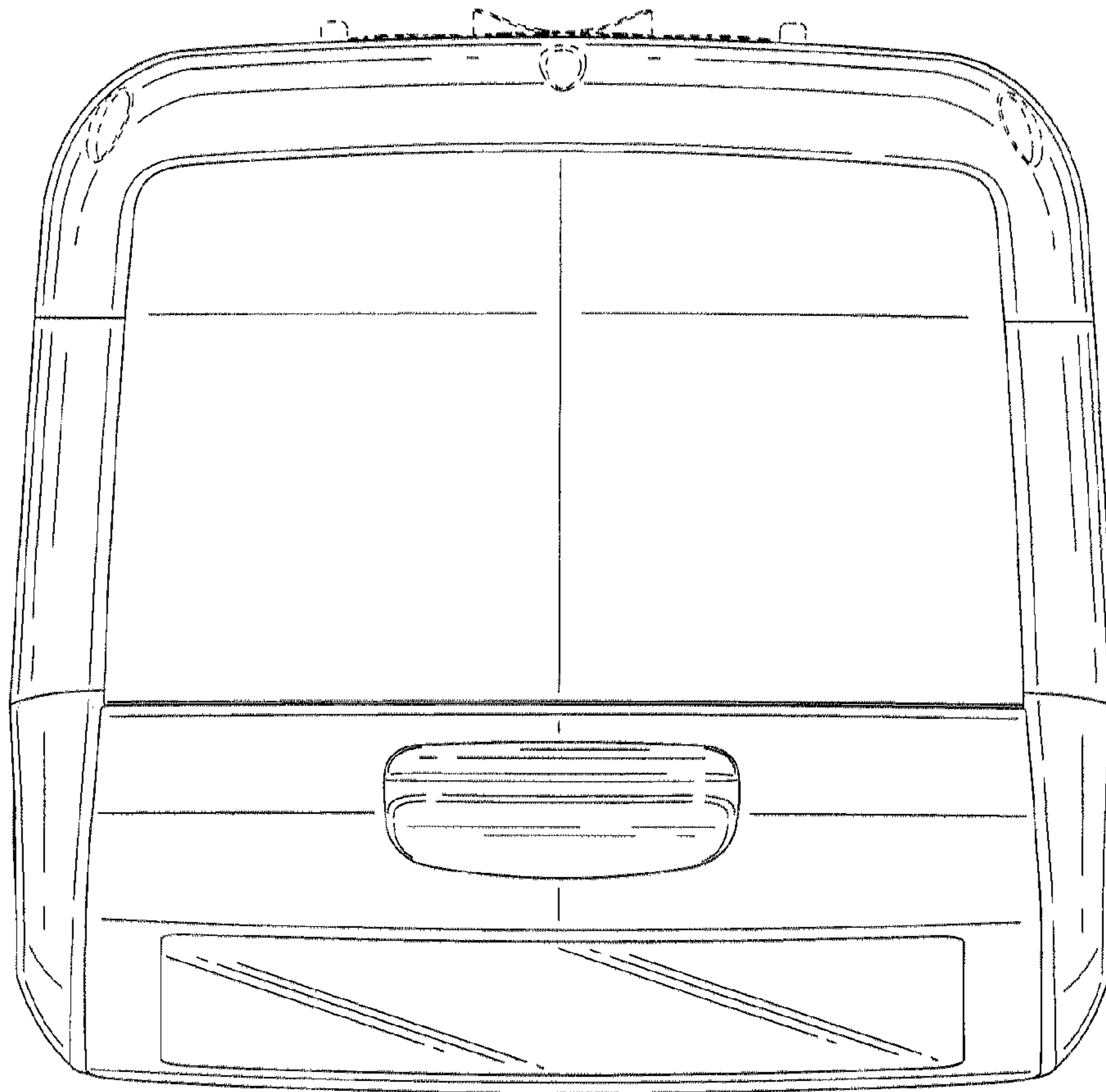


FIG.6

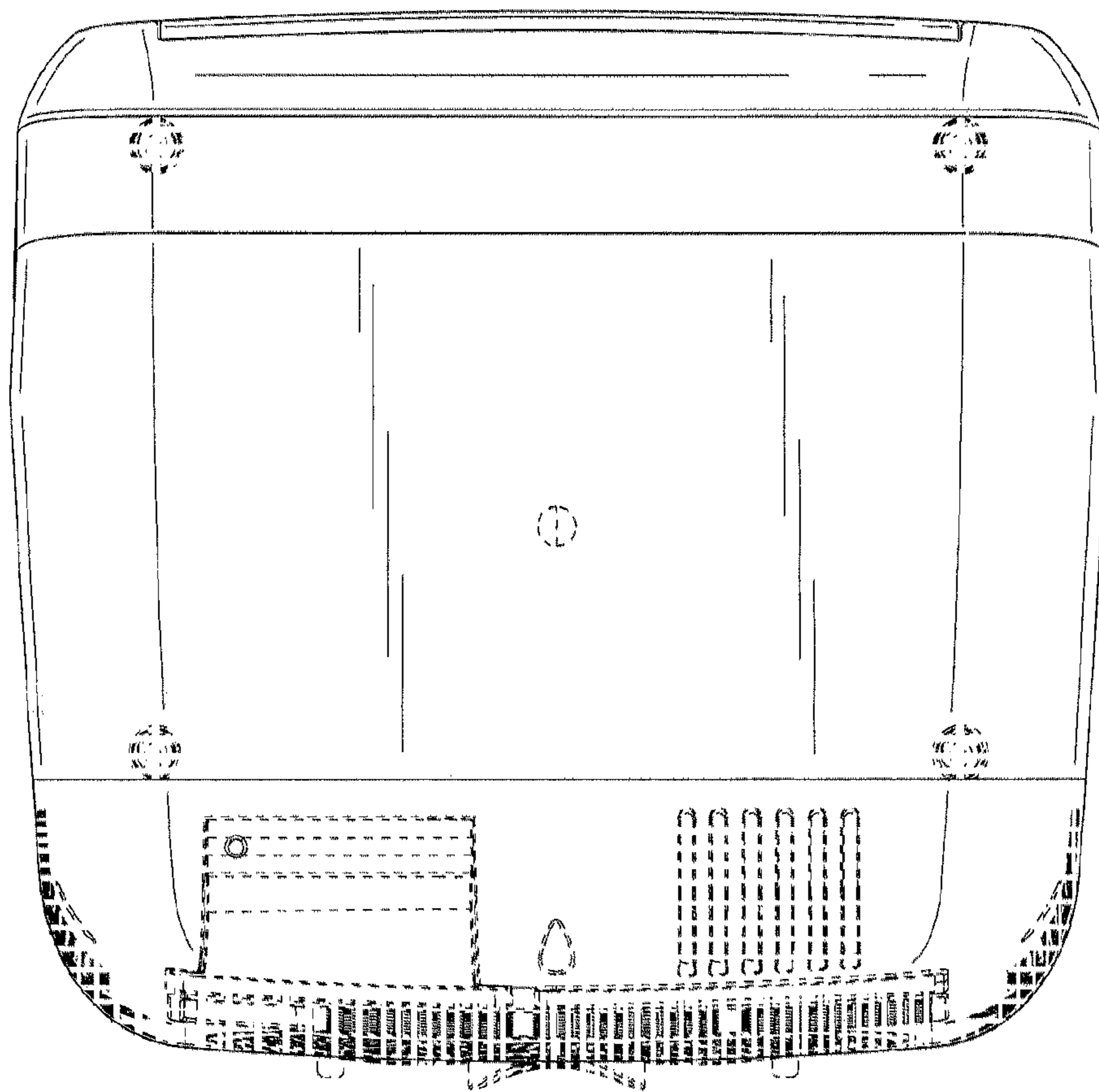


FIG.7