



US00D674411S

(12) **United States Design Patent**
Masumoto et al.

(10) **Patent No.:** **US D674,411 S**
(45) **Date of Patent:** **** Jan. 15, 2013**

(54) **CABIN FOR A WORKING VEHICLE**

(75) Inventors: **Kouji Masumoto**, Kawachinagano (JP);
Norihide Iwata, Kishiwada (JP); **Akari Kakudate**, Sakai (JP)

(73) Assignee: **Kubota Corporation**, Osaka (JP)

(**) Term: **14 Years**

(21) Appl. No.: **29/423,360**

(22) Filed: **May 31, 2012**

(51) **LOC (9) Cl.** **15-03**

(52) **U.S. Cl.** **D15/30**

(58) **Field of Classification Search** D15/10,
D15/22-26, 28, 30, 31; 180/89.11, 89.12,
180/89.13, 89.19, 900; 296/190.01, 190.08,
296/210, 190, 202

See application file for complete search history.

(56) **References Cited**

U.S. PATENT DOCUMENTS

D348,678 S *	7/1994	Budde	D15/30
D389,984 S *	1/1998	Johansson	D34/37
D523,029 S *	6/2006	Crawford et al.	D15/30
D531,647 S *	11/2006	Stender et al.	D15/30
D541,825 S *	5/2007	Pettersson	D15/30
D541,826 S *	5/2007	Brush et a	D15/30
D561,205 S *	2/2008	Pettersson	D15/30
D598,032 S	8/2009	Nakasishi et al.		
D600,721 S	9/2009	Shimomura et al.		
D603,881 S *	11/2009	Tamplain et al.	D15/30
D604,749 S	11/2009	Kushita et al.		

D605,207 S *	12/2009	Menges et al.	D15/30
D629,429 S *	12/2010	Wakamatsu	D15/30
D635,156 S *	3/2011	Berning et al.	D15/30
D636,795 S *	4/2011	Yamamoto et al.	D15/30
D637,630 S *	5/2011	Yamamoto et al.	D15/30
D642,205 S *	7/2011	Yamamoto et al.	D15/30
D650,816 S *	12/2011	Koponen et al.	D15/30

* cited by examiner

Primary Examiner — Mark Goodwin

(74) *Attorney, Agent, or Firm* — Greenblum & Bernstein, P.L.C.

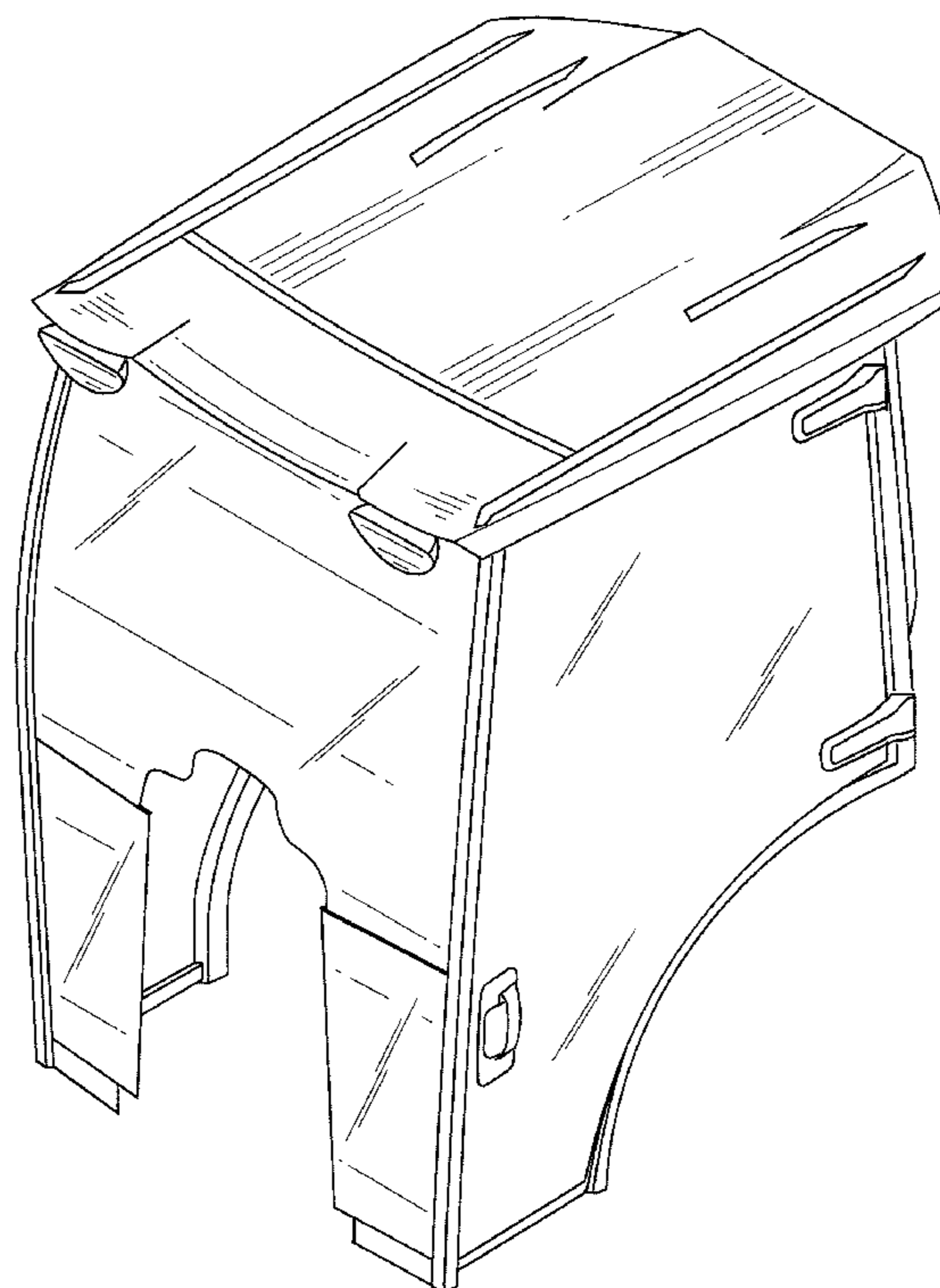
(57) **CLAIM**

The ornamental design for a cabin for a working vehicle, as shown and described.

DESCRIPTION

FIG. 1 is a front elevational view of a cabin for a working vehicle, showing our new design;
FIG. 2 is a rear elevational view thereof;
FIG. 3 is a left side elevational view thereof;
FIG. 4 is a right side elevational view thereof;
FIG. 5 is a top plan view thereof;
FIG. 6 is a bottom plan view thereof;
FIG. 7 is a perspective view thereof; and,
FIG. 8 is another perspective view thereof.
The cabin for a working vehicle according to the present invention is a cabin mainly used for a working vehicle such as a tractor or a combine.

1 Claim, 8 Drawing Sheets



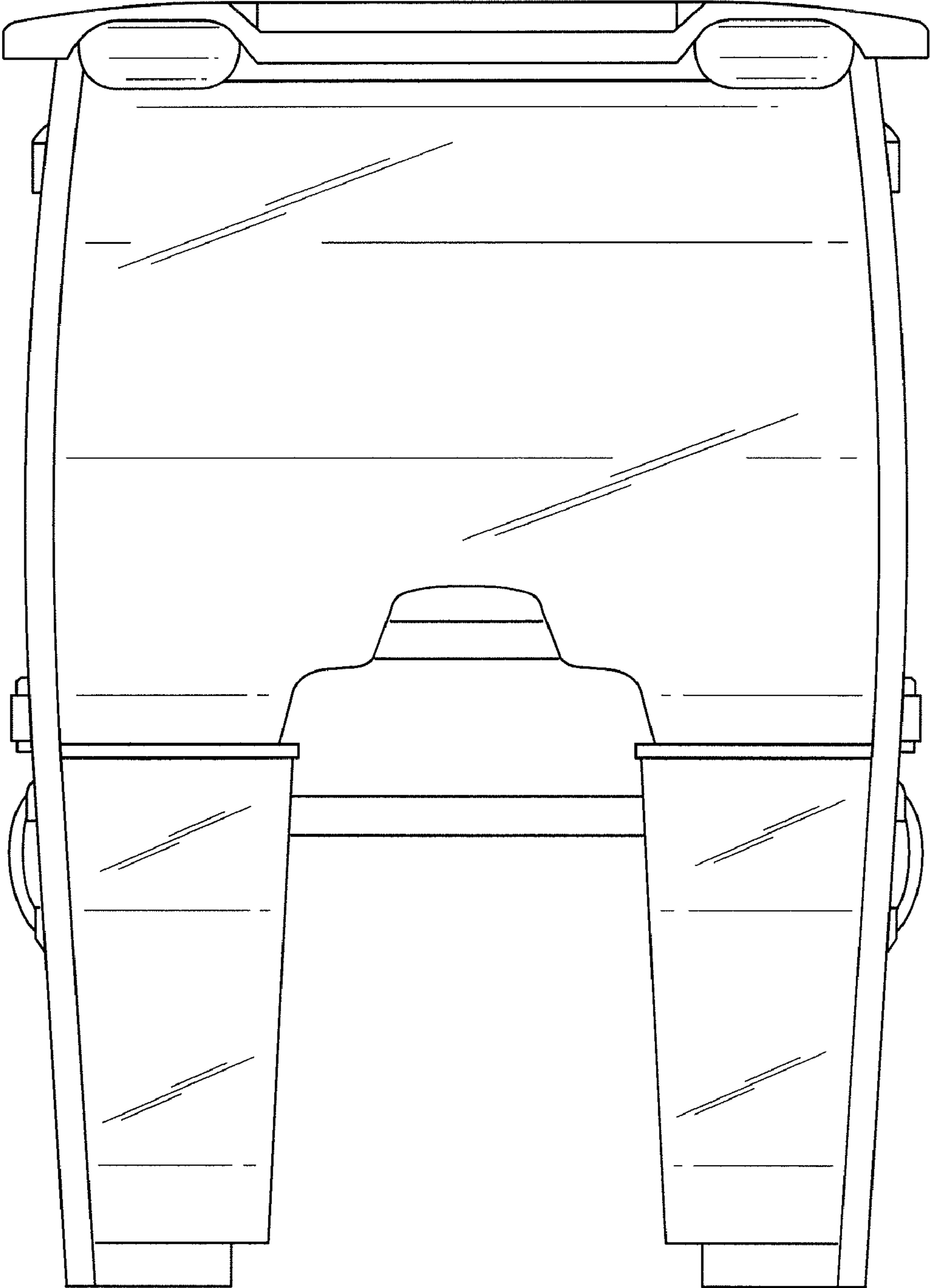


FIG. 1

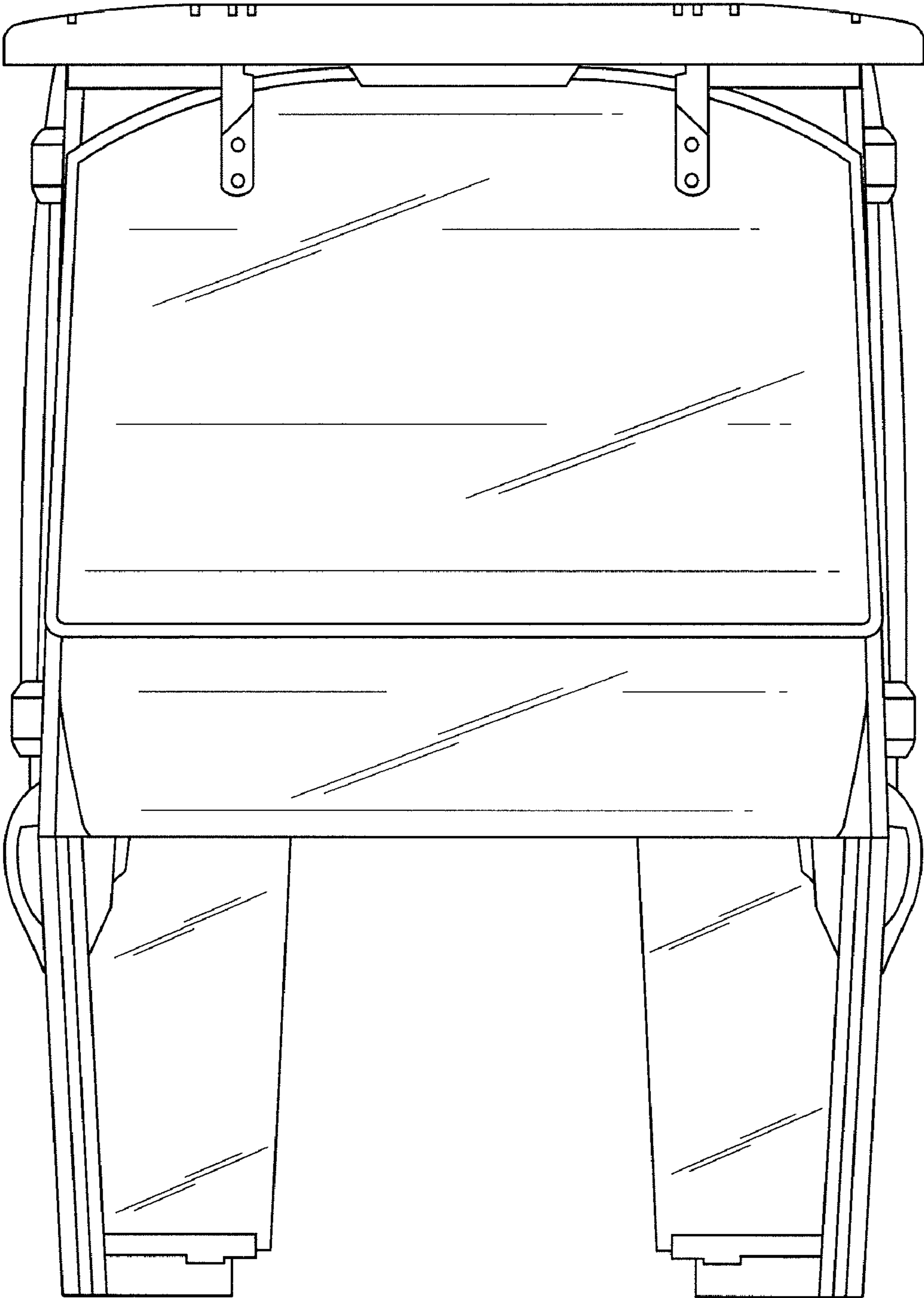


FIG. 2

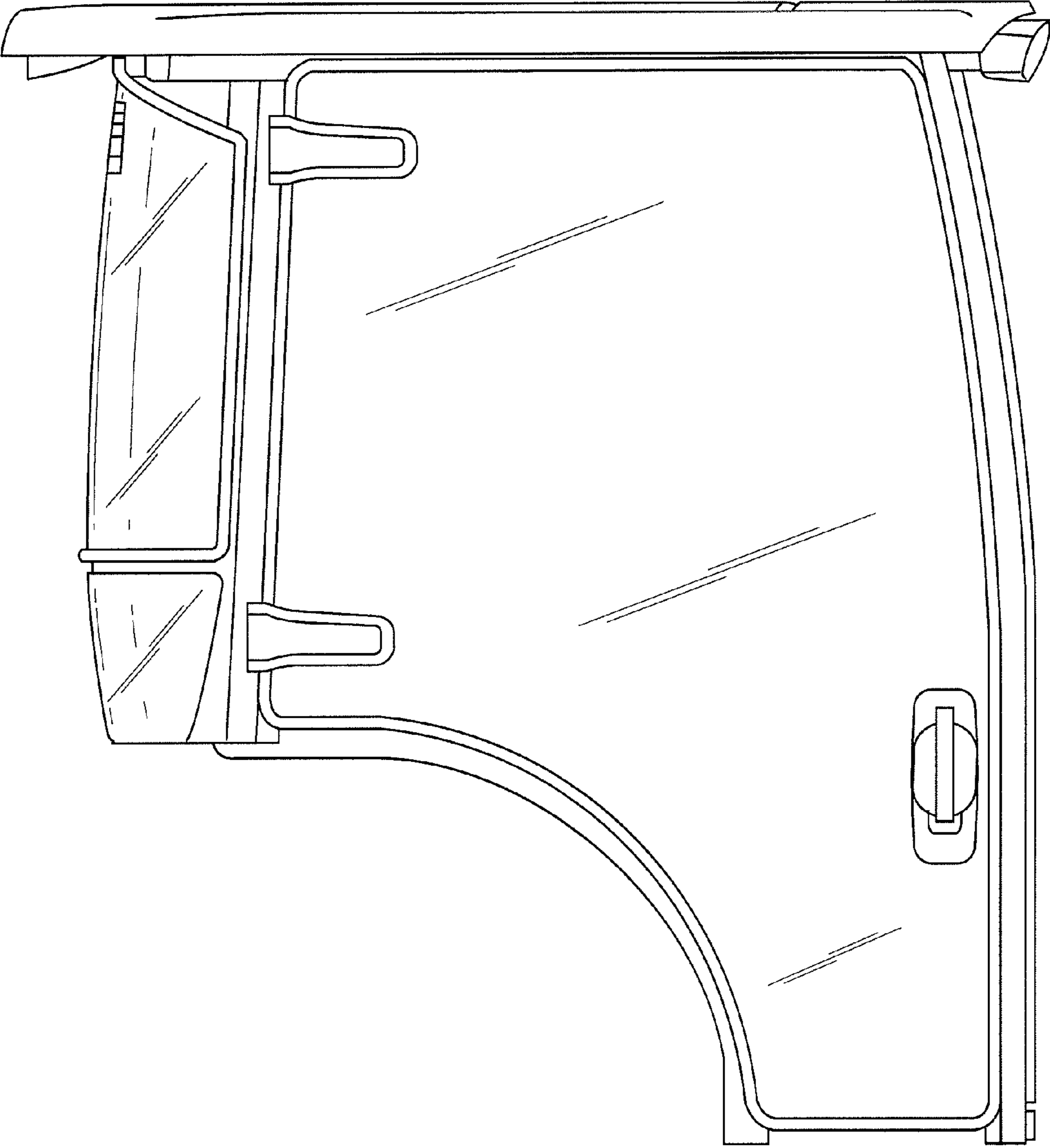


FIG. 3

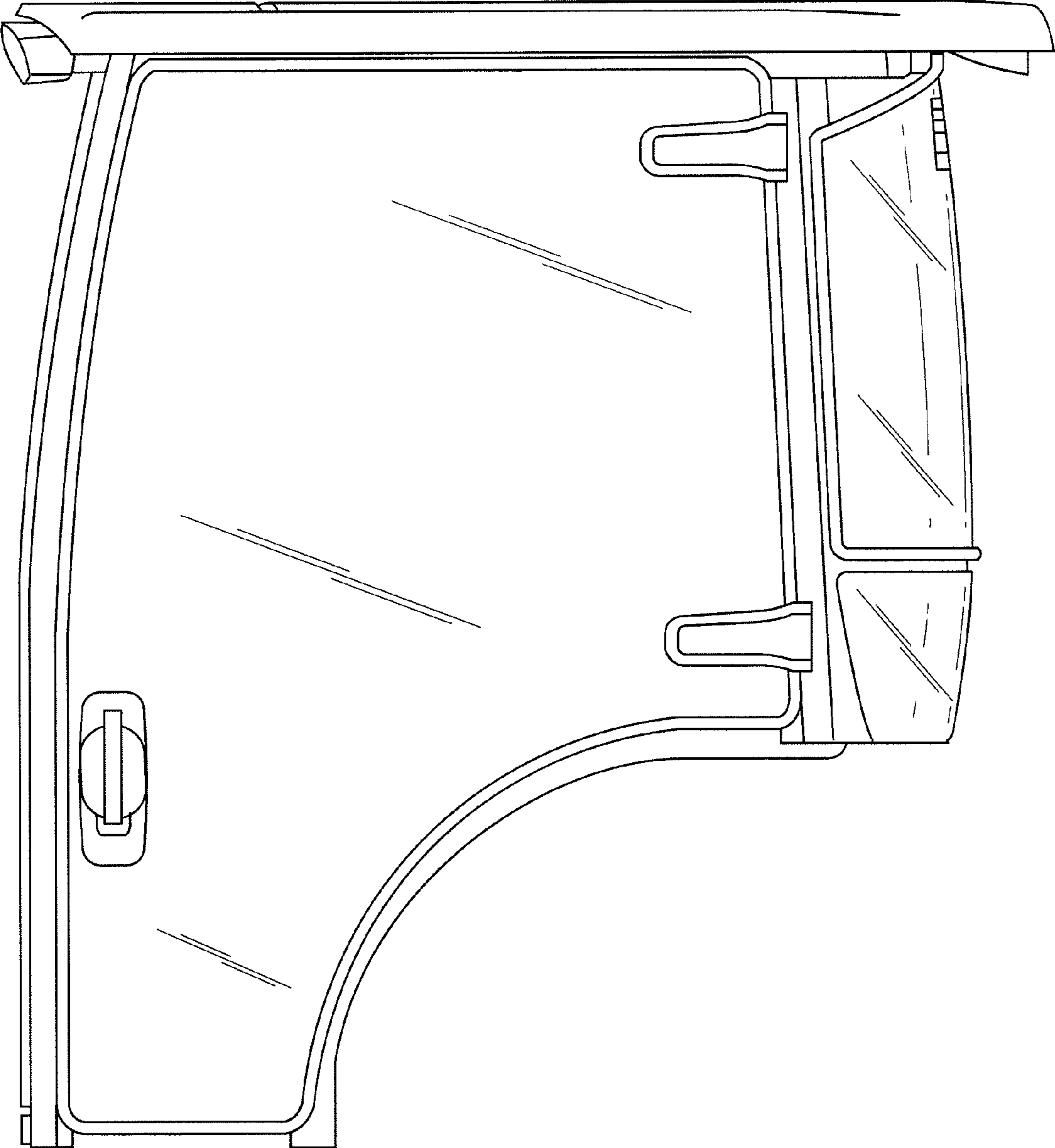


FIG. 4

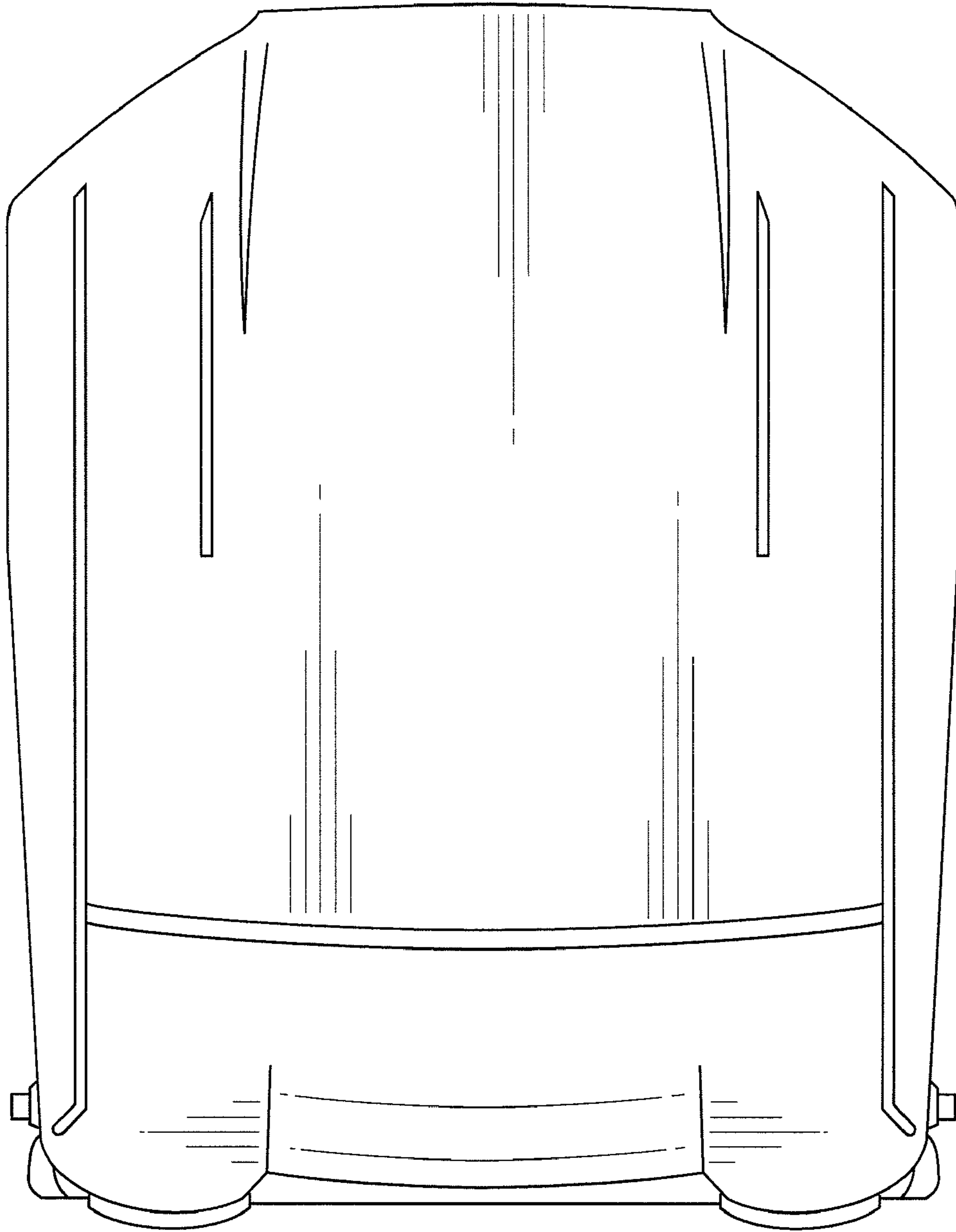


FIG. 5

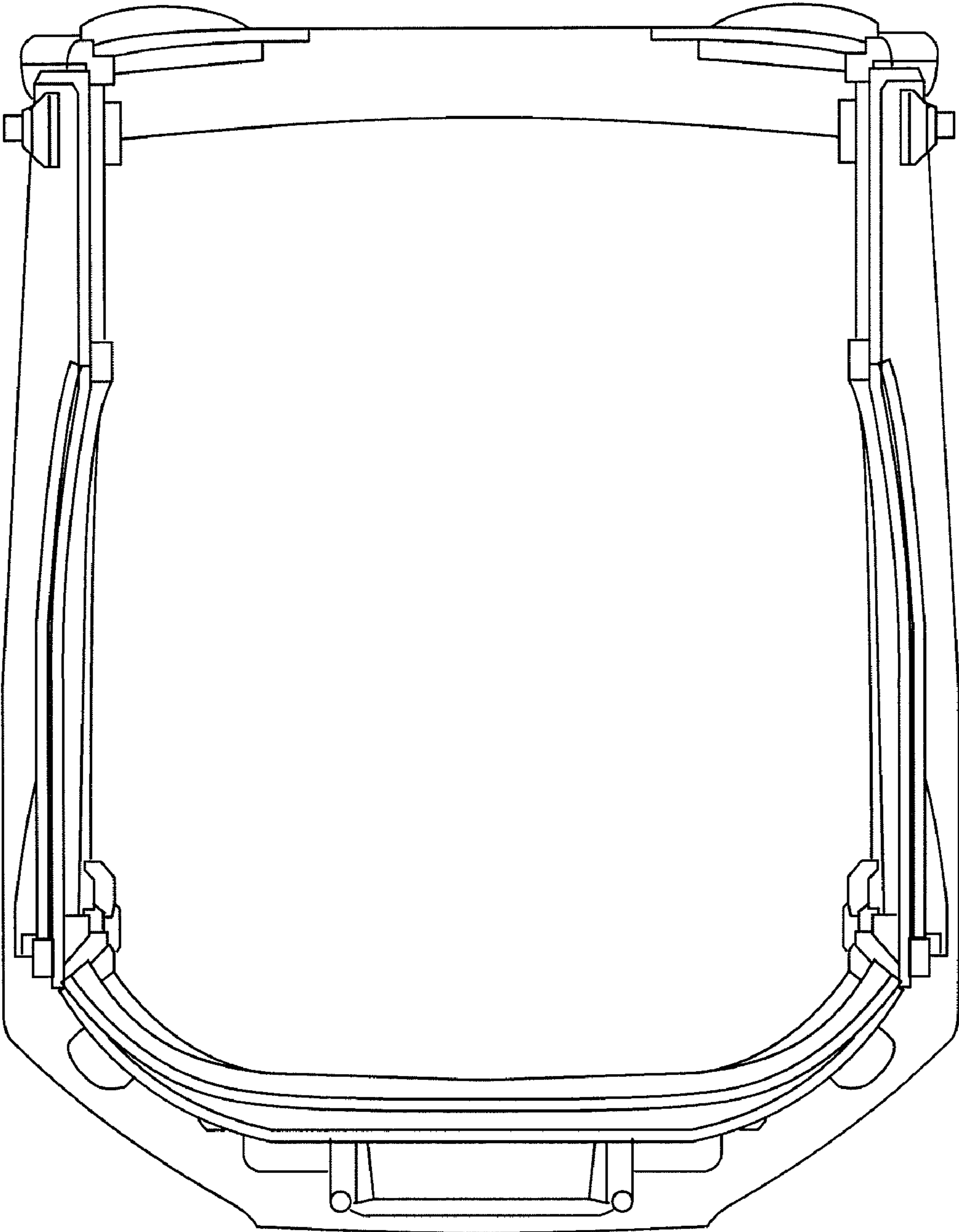


FIG. 6

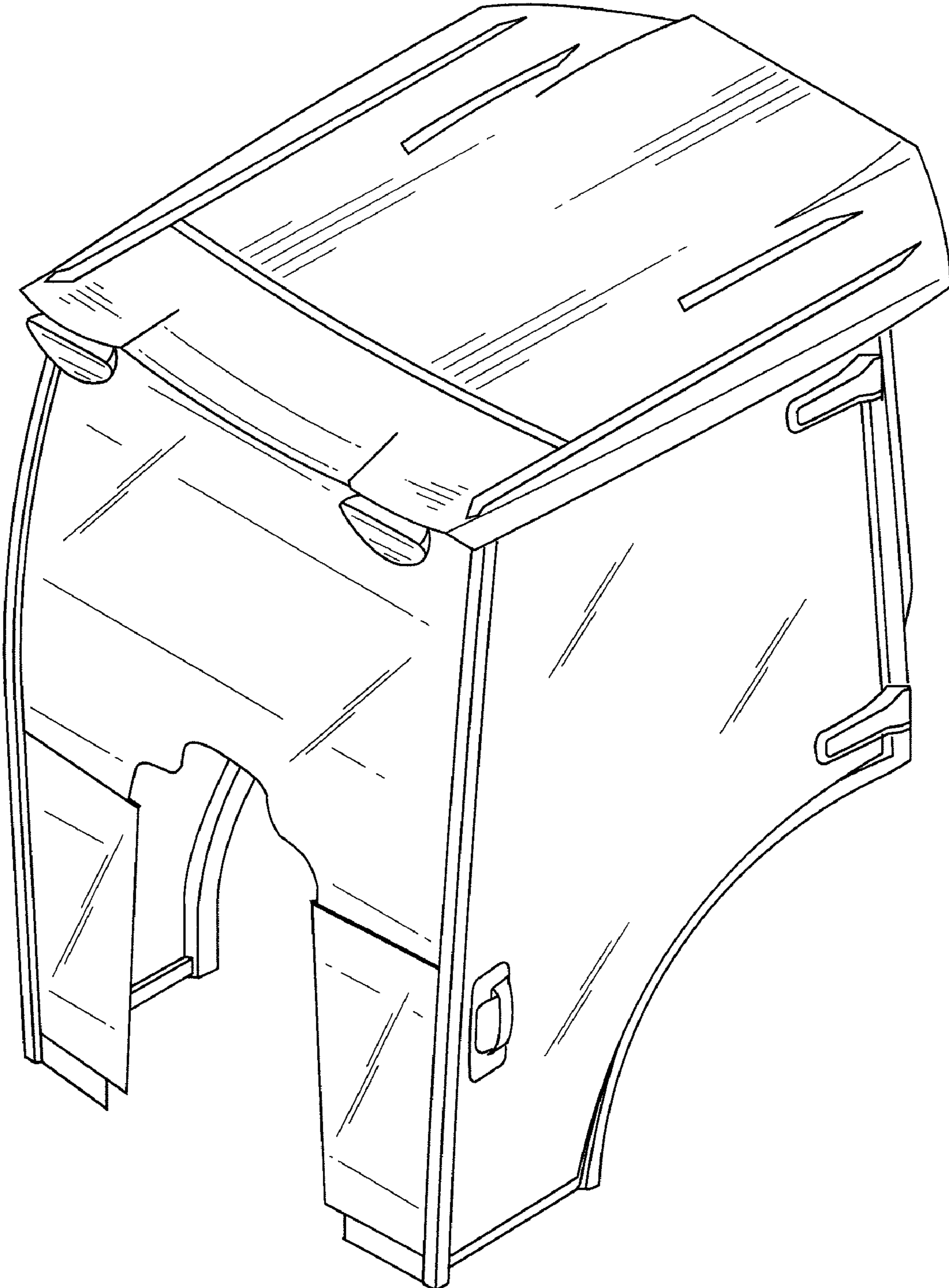


FIG. 7

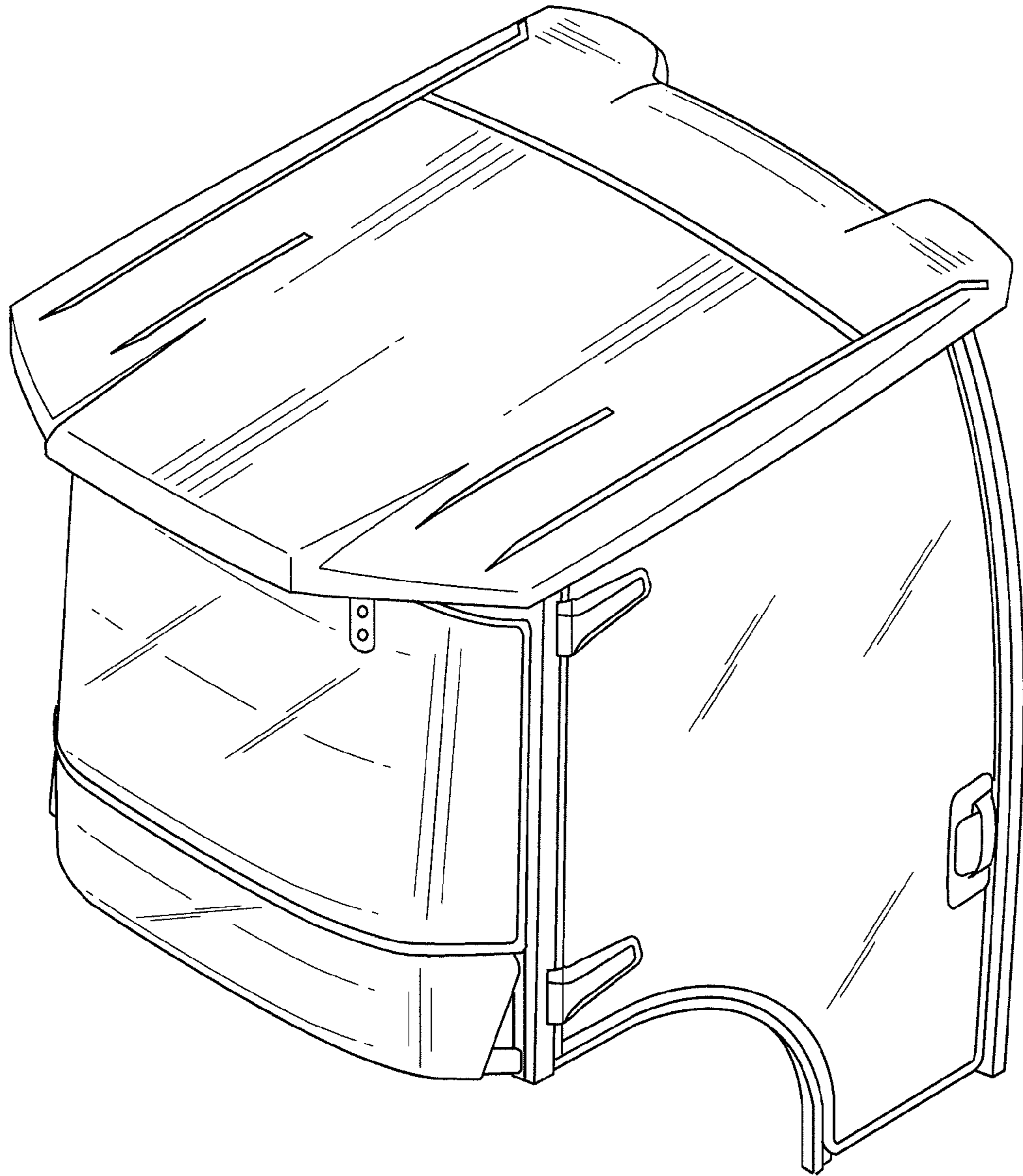


FIG. 8