



US00D674410S

(12) **United States Design Patent**  
**Blind et al.**

(10) **Patent No.:** **US D674,410 S**  
(45) **Date of Patent:** **\*\* Jan. 15, 2013**

(54) **OPERATOR STATION FOR A COMMERCIAL VEHICLE**

D528,134 S \* 9/2006 Vandendriessche et al. .. D15/30  
D541,825 S \* 5/2007 Pettersson ..... D15/30  
7,347,488 B2 \* 3/2008 Hayes et al. .... 296/190.08

(75) Inventors: **Alain Blind**, Birkenau (DE); **Matthias Schönherr**, Stuttgart (DE)

\* cited by examiner

(73) Assignee: **Deere & Company**, Moline, IL (US)

*Primary Examiner* — Mark Goodwin

(\*\*) Term: **14 Years**

(57) **CLAIM**

The ornamental design for an operator station for a commercial vehicle, as shown and described.

(21) Appl. No.: **29/418,245**

**DESCRIPTION**

(22) Filed: **Apr. 13, 2012**

(30) **Foreign Application Priority Data**

Oct. 26, 2011 (EM) ..... 001938093

(51) **LOC (9) Cl.** ..... **15-03**

(52) **U.S. Cl.** ..... **D15/30**

(58) **Field of Classification Search** ..... D15/10,  
D15/22-26, 28, 30, 31; 180/89.11, 89.12,  
180/89.13, 89.19, 900; 296/190.01, 190.08,  
296/210, 190, 202

See application file for complete search history.

FIG. 1 is a perspective view of an operator station for a commercial vehicle according to an embodiment of the invention;

FIG. 2 is another perspective view of the operator station for a commercial vehicle of FIG. 1;

FIG. 3 is a front elevational view of the operator station for a commercial vehicle of FIG. 1.

FIG. 4 is a side elevational view of an operator station for a commercial vehicle of FIG. 1;

FIG. 5 is another side elevational view of the operator station for a commercial vehicle of FIG. 1;

FIG. 6 is a rear elevational view of the operator station for a commercial vehicle of FIG. 1;

FIG. 7 is a top plan view of the operator station for a commercial vehicle of FIG. 1; and,

FIG. 8 is a bottom view of the operator station for a commercial vehicle of FIG. 1.

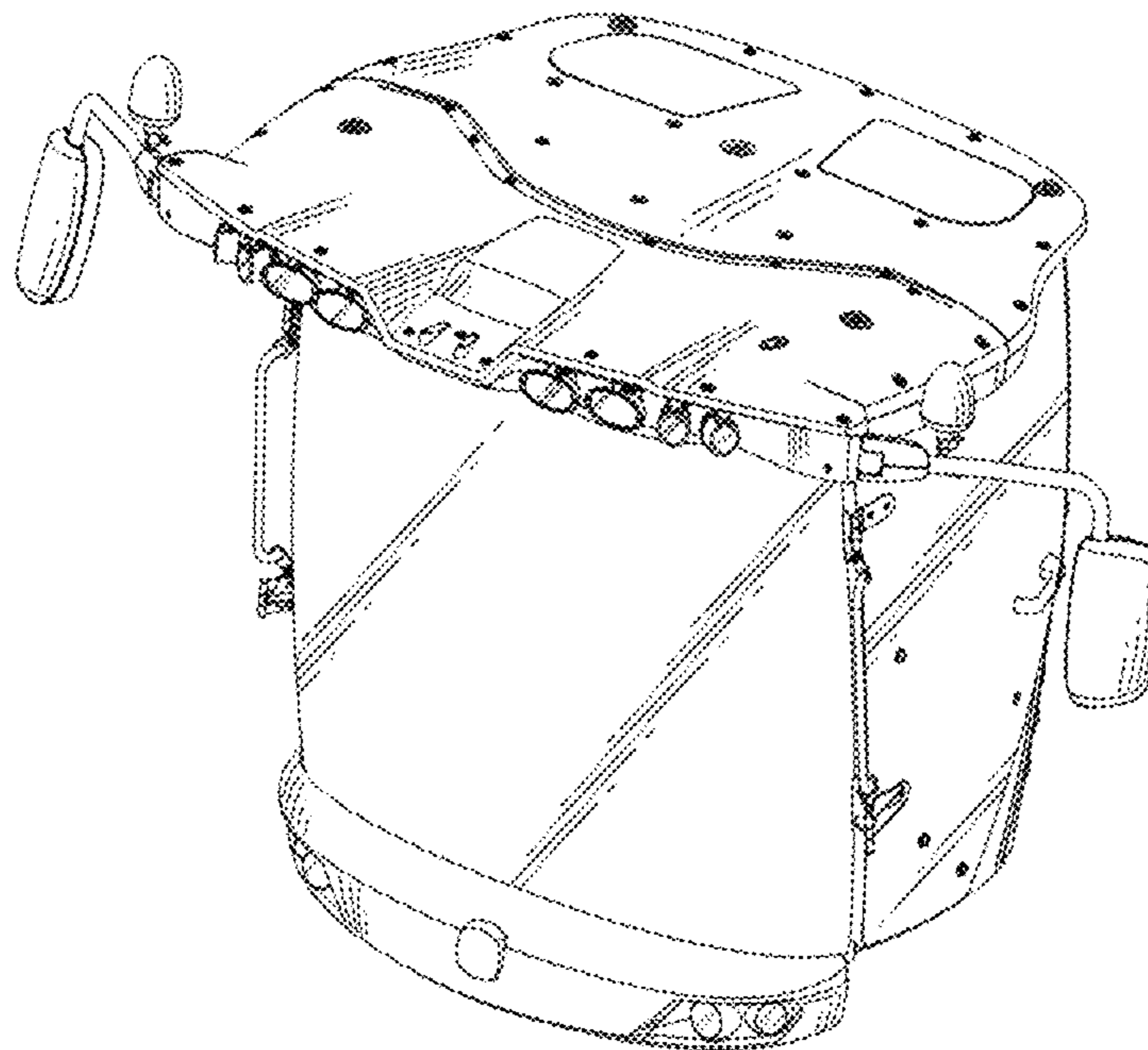
The broken line showing of surface features in FIGS. 6 and 8 is included for the purpose of illustrating portions of the operator station for a commercial vehicle and forms no part of the claimed design.

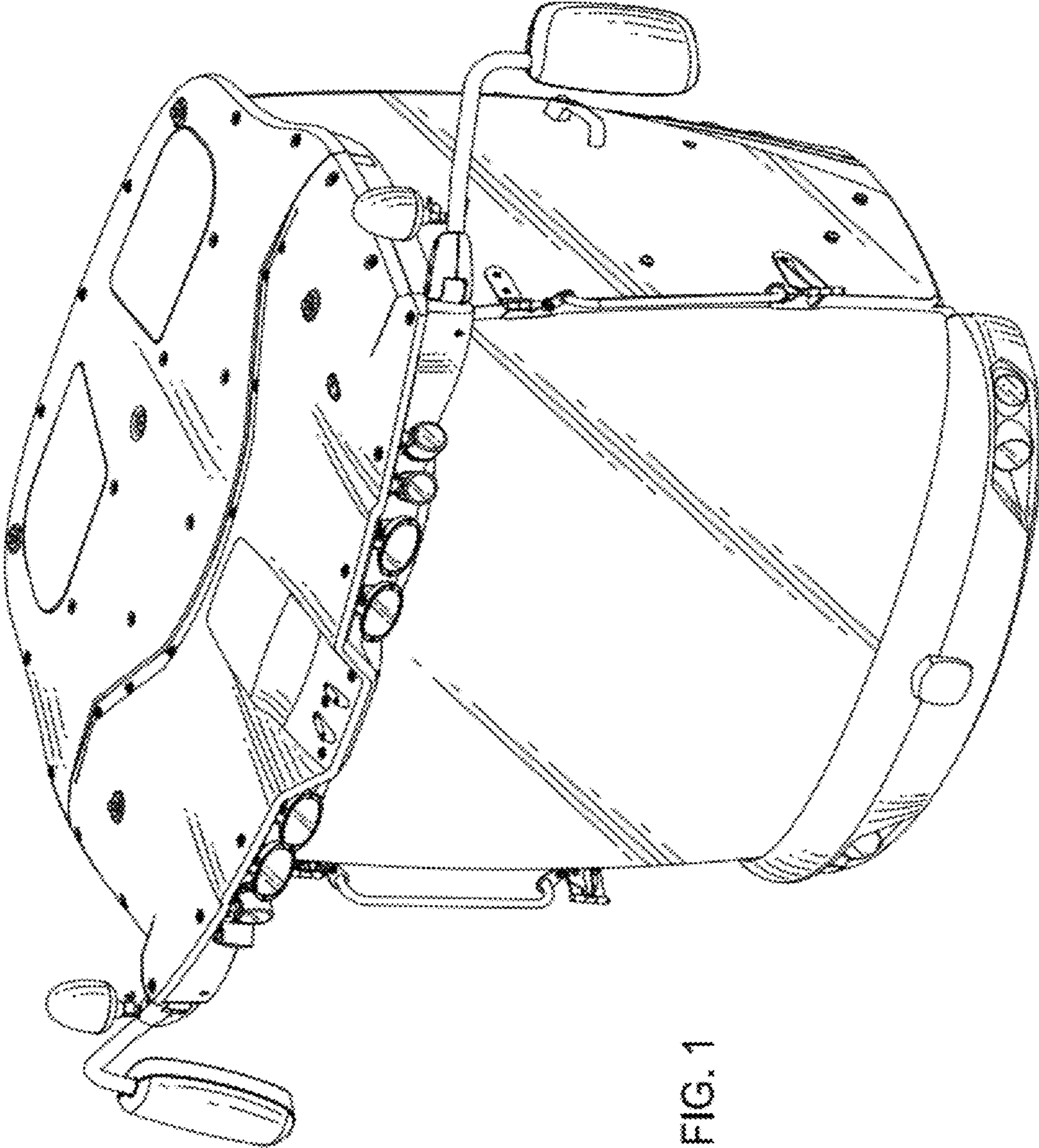
(56) **References Cited**

U.S. PATENT DOCUMENTS

D208,402 S \* 8/1967 Hofmann ..... D15/30  
D229,046 S \* 11/1973 Purcell et al. .... D15/30  
3,802,530 A \* 4/1974 Purcell et al. .... 180/89.12  
RE29,123 E \* 1/1977 Malm et al. .... 296/35.1  
D249,522 S \* 9/1978 Elfes et al. .... D15/30  
D275,199 S \* 8/1984 Schmidt et al. .... D15/30  
D297,329 S \* 8/1988 Monehaie et al. .... D15/30  
5,413,188 A \* 5/1995 Ui ..... 180/89.12  
D384,358 S \* 9/1997 Smith ..... D15/30

**1 Claim, 8 Drawing Sheets**





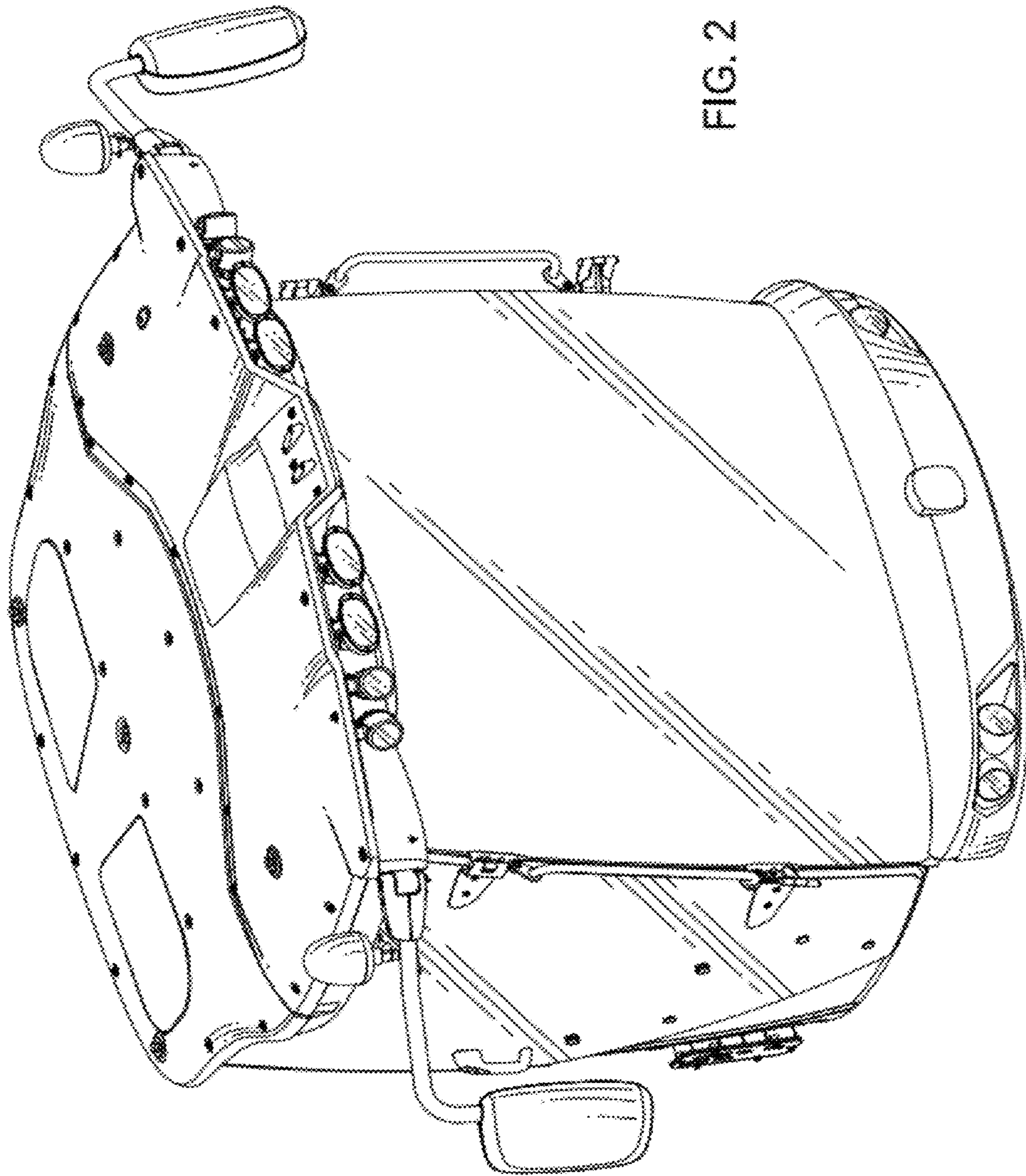


FIG. 2

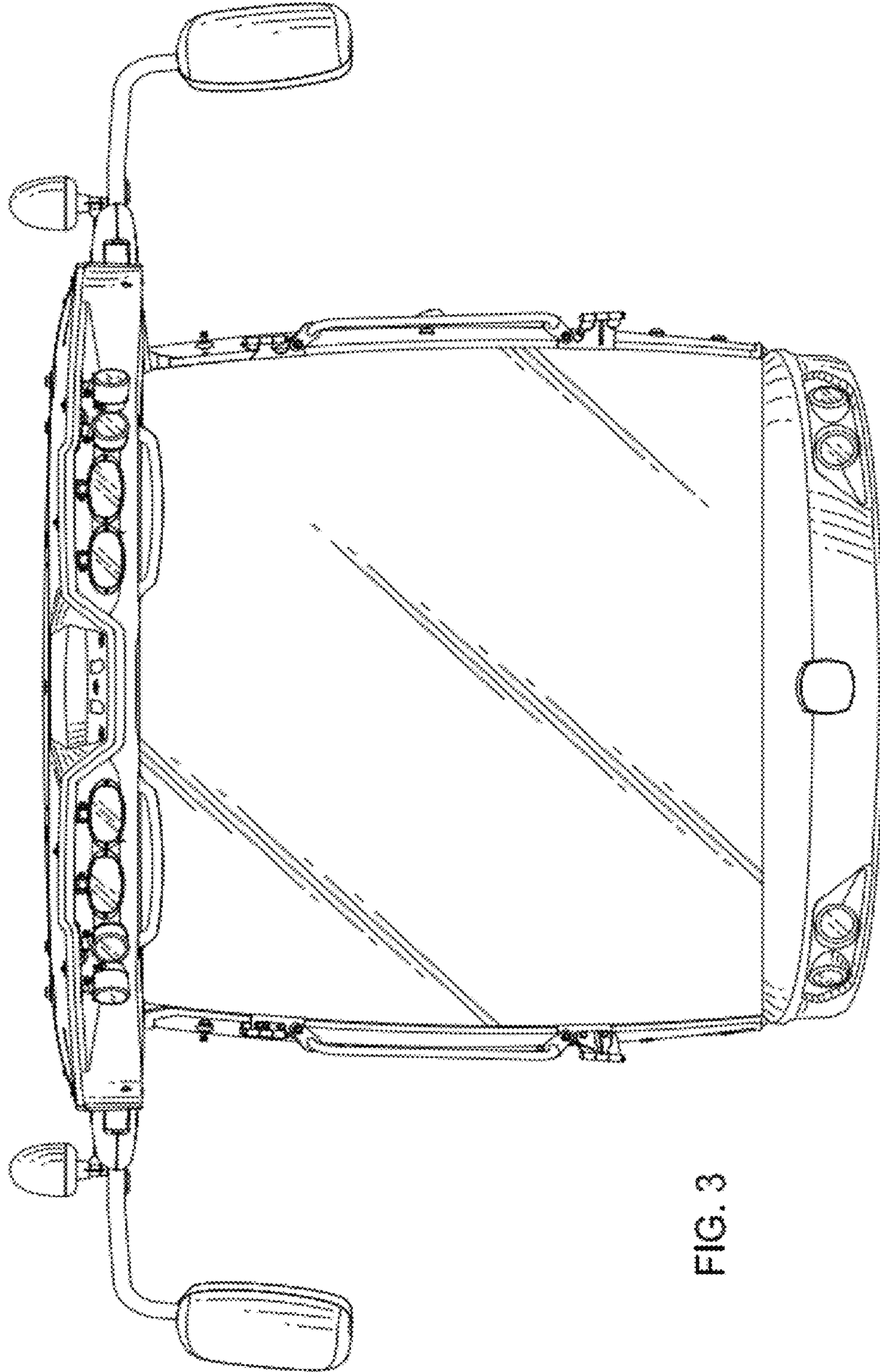
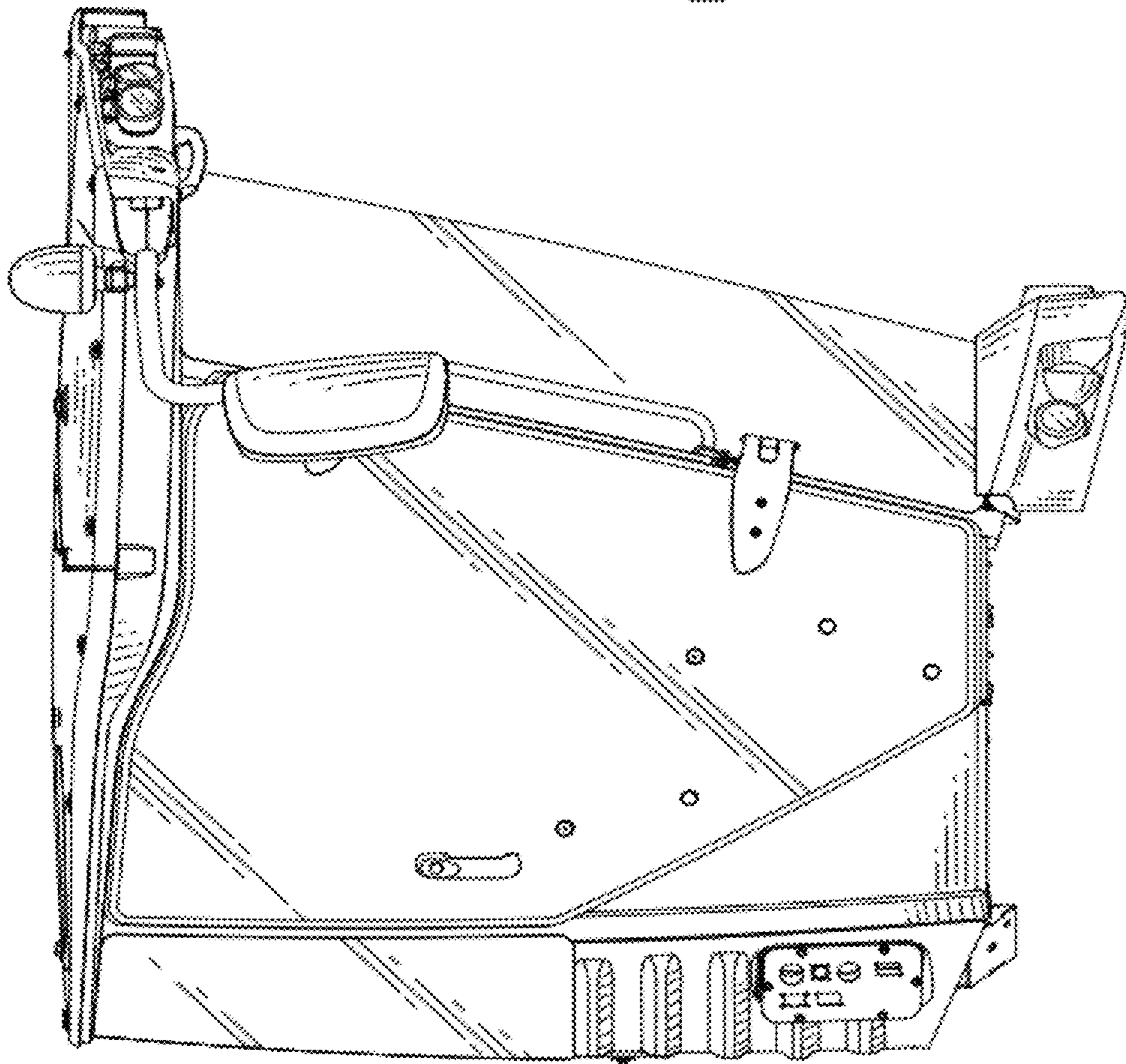


FIG. 3

FIG. 4



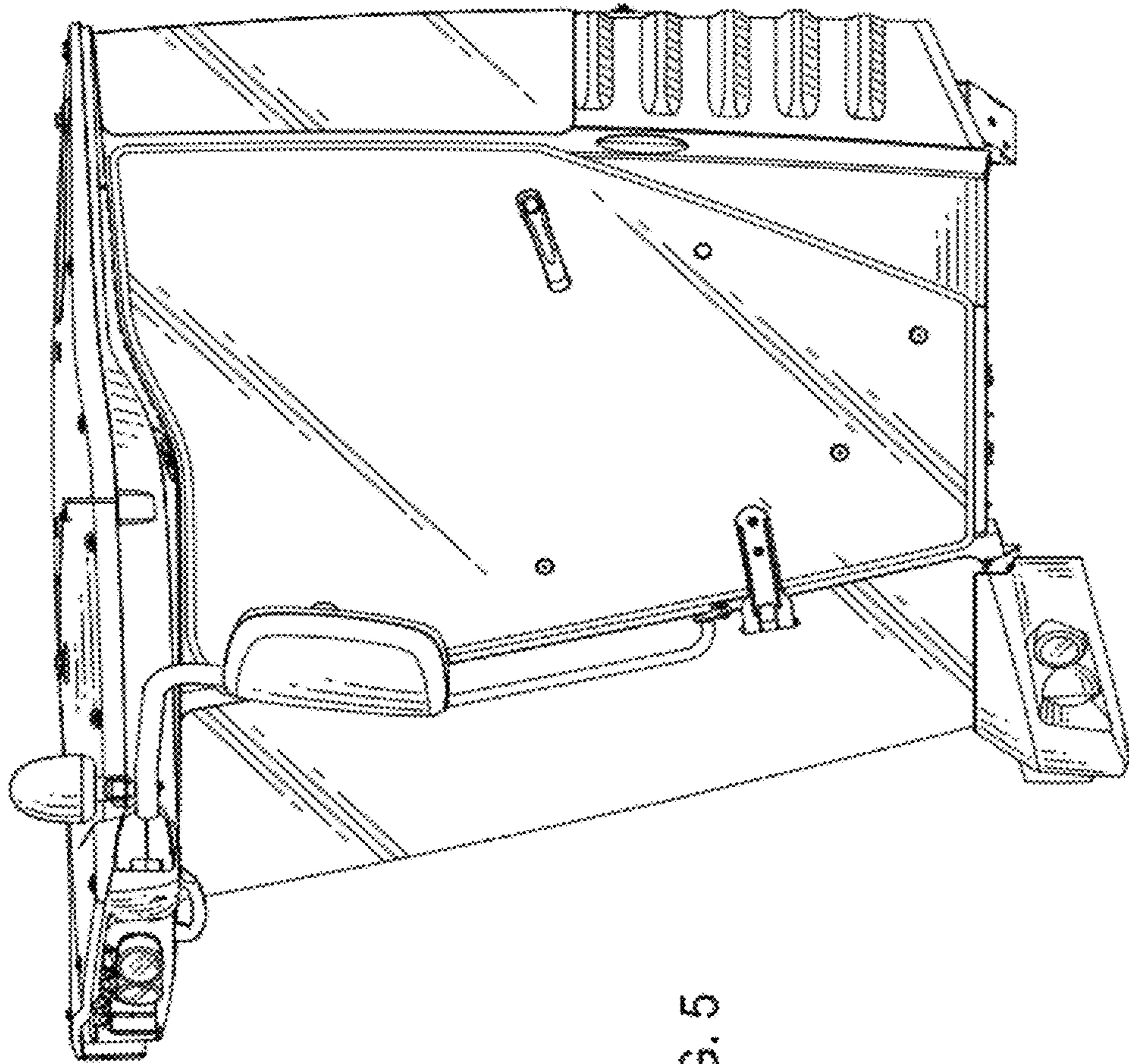


FIG. 5

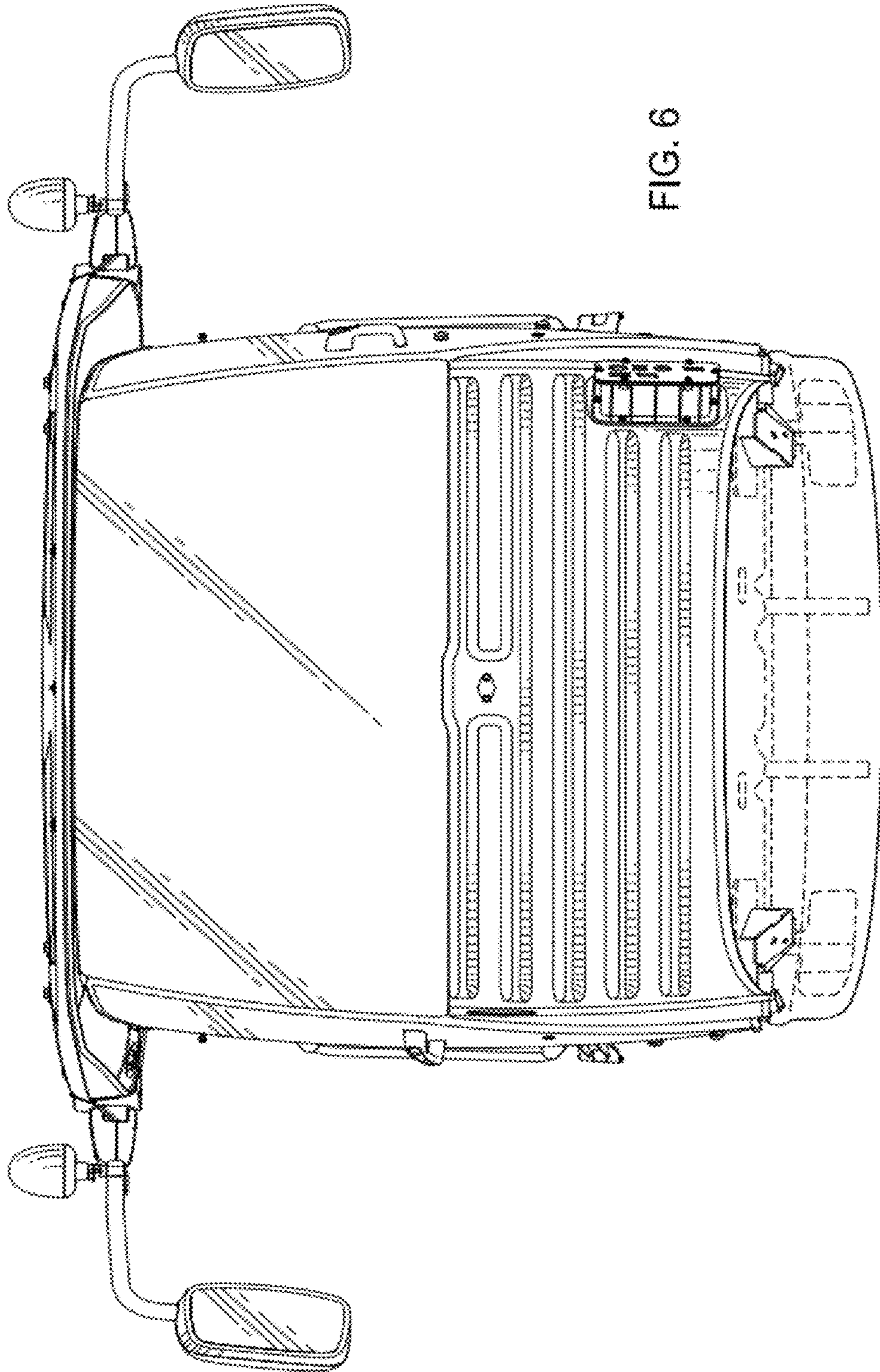
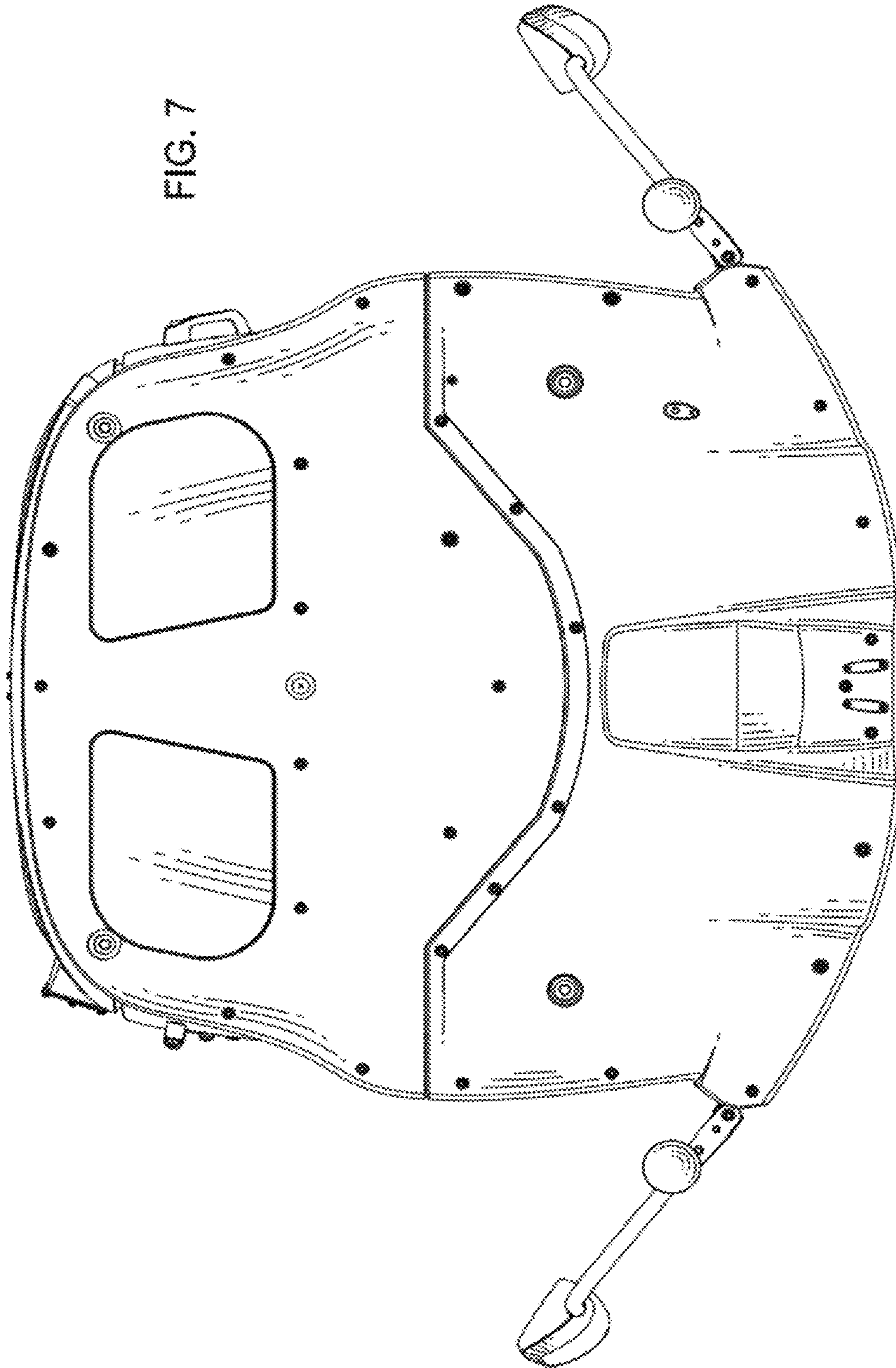


FIG. 6

FIG. 7





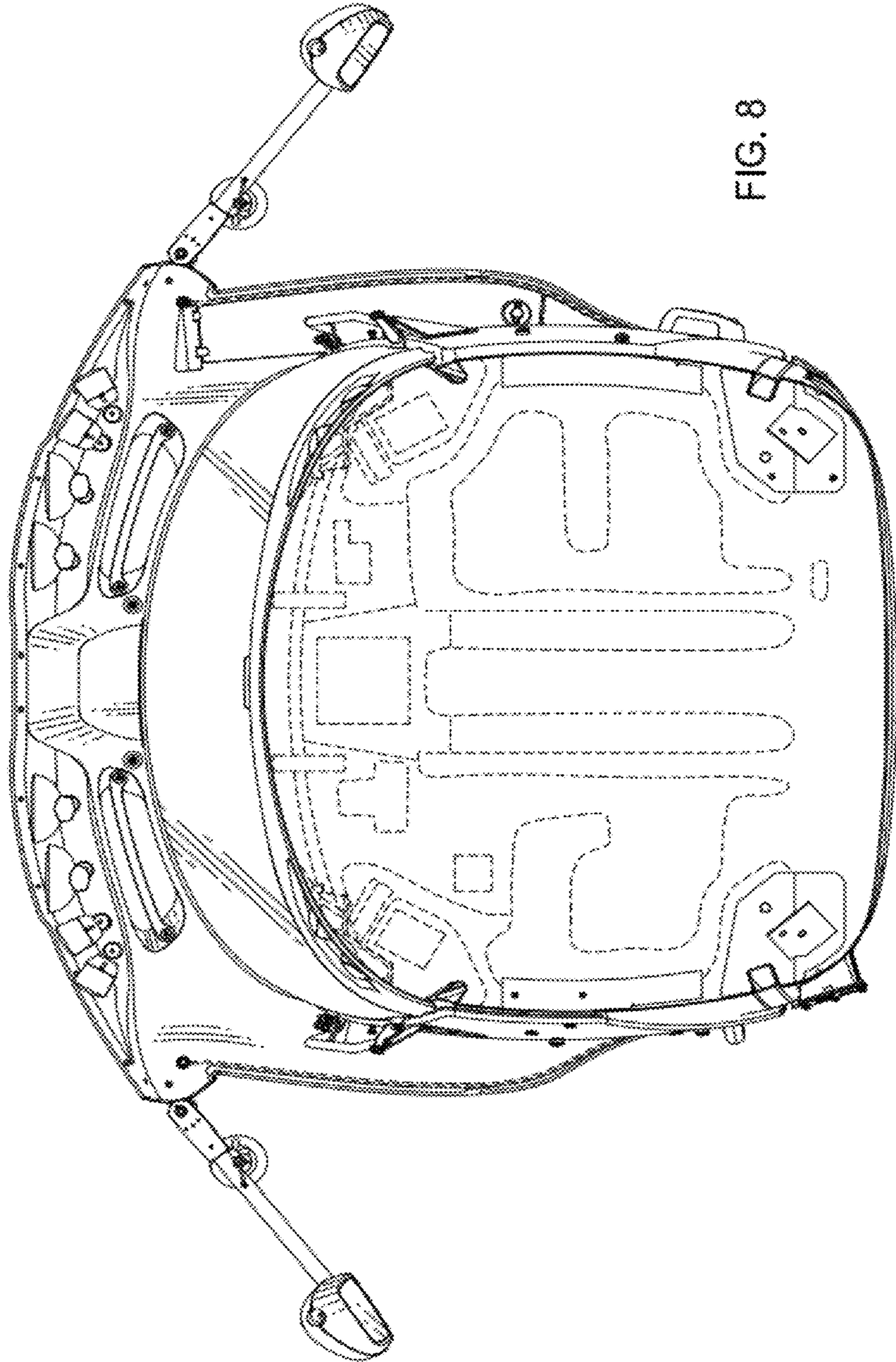


FIG. 8