



US00D674409S

(12) **United States Design Patent**  
**Higashikawa**

(10) **Patent No.:** **US D674,409 S**

(45) **Date of Patent:** **\*\* Jan. 15, 2013**

(54) **REAR FRAME PORTION OF A RIDING TYPE MOWER**

(75) Inventor: **Yoshitaka Higashikawa, Sakai (JP)**

(73) Assignee: **Kubota Corporation, Osaka (JP)**

(\*\*) Term: **14 Years**

(21) Appl. No.: **29/428,698**

(22) Filed: **Aug. 2, 2012**

(51) **LOC (9) Cl.** ..... **15-03**

(52) **U.S. Cl.** ..... **D15/17; D15/15**

(58) **Field of Classification Search** ..... D15/10,  
D15/14-17, 22, 28, 33; 56/12.1, 12.7, 12.8,  
56/13.4, 13.7, 16.7, 17.1, 17.5, 202, 255,  
56/320.1-320.2; 180/89.1, 311

See application file for complete search history.

|              |         |                     |        |
|--------------|---------|---------------------|--------|
| D450,330 S * | 11/2001 | Katoh et al. ....   | D15/15 |
| D453,777 S * | 2/2002  | Williams .....      | D15/33 |
| D455,156 S * | 4/2002  | Rittfeldt .....     | D15/10 |
| D455,764 S * | 4/2002  | Williams .....      | D15/33 |
| D457,175 S * | 5/2002  | Goebert et al. .... | D15/33 |
| D495,718 S * | 9/2004  | Higashikawa .....   | D15/15 |
| D512,444 S * | 12/2005 | Ayers et al. ....   | D15/15 |
| D636,001 S * | 4/2011  | Martin et al. ....  | D15/33 |
| D656,965 S * | 4/2012  | Ortlund et al. .... | D15/17 |

\* cited by examiner

*Primary Examiner* — Mark Goodwin

(74) *Attorney, Agent, or Firm* — Greenblum & Bernstein, P.L.C.

(57) **CLAIM**

I claim the ornamental design for a rear frame portion of a riding type mower, as shown and described.

**DESCRIPTION**

FIG. 1 is a front elevational view of a rear frame portion of a riding type mower showing my new design mounted to riding type mower in use condition;

FIG. 2 is a rear elevational view of a rear frame portion of a riding type mower, showing my new design;

FIG. 3 is a left side elevational view thereof;

FIG. 4 is a right side elevational view thereof;

FIG. 5 is a top plan view thereof;

FIG. 6 is a bottom plan view thereof;

FIG. 7 is a perspective view thereof; and,

FIG. 8 is another perspective view thereof.

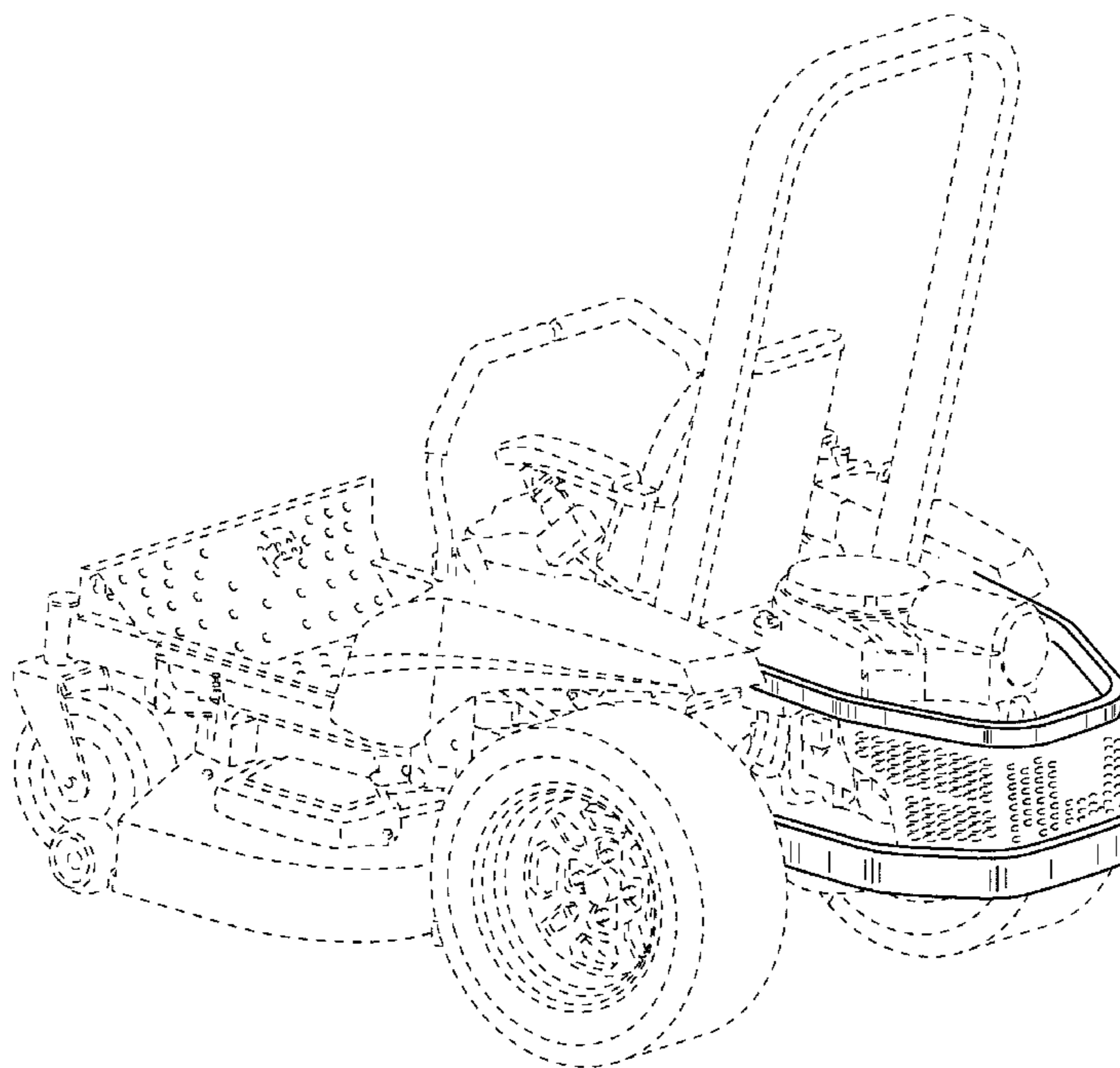
The broken lines indicate structure that is for illustrative purposes only and forms no part of the claimed design.

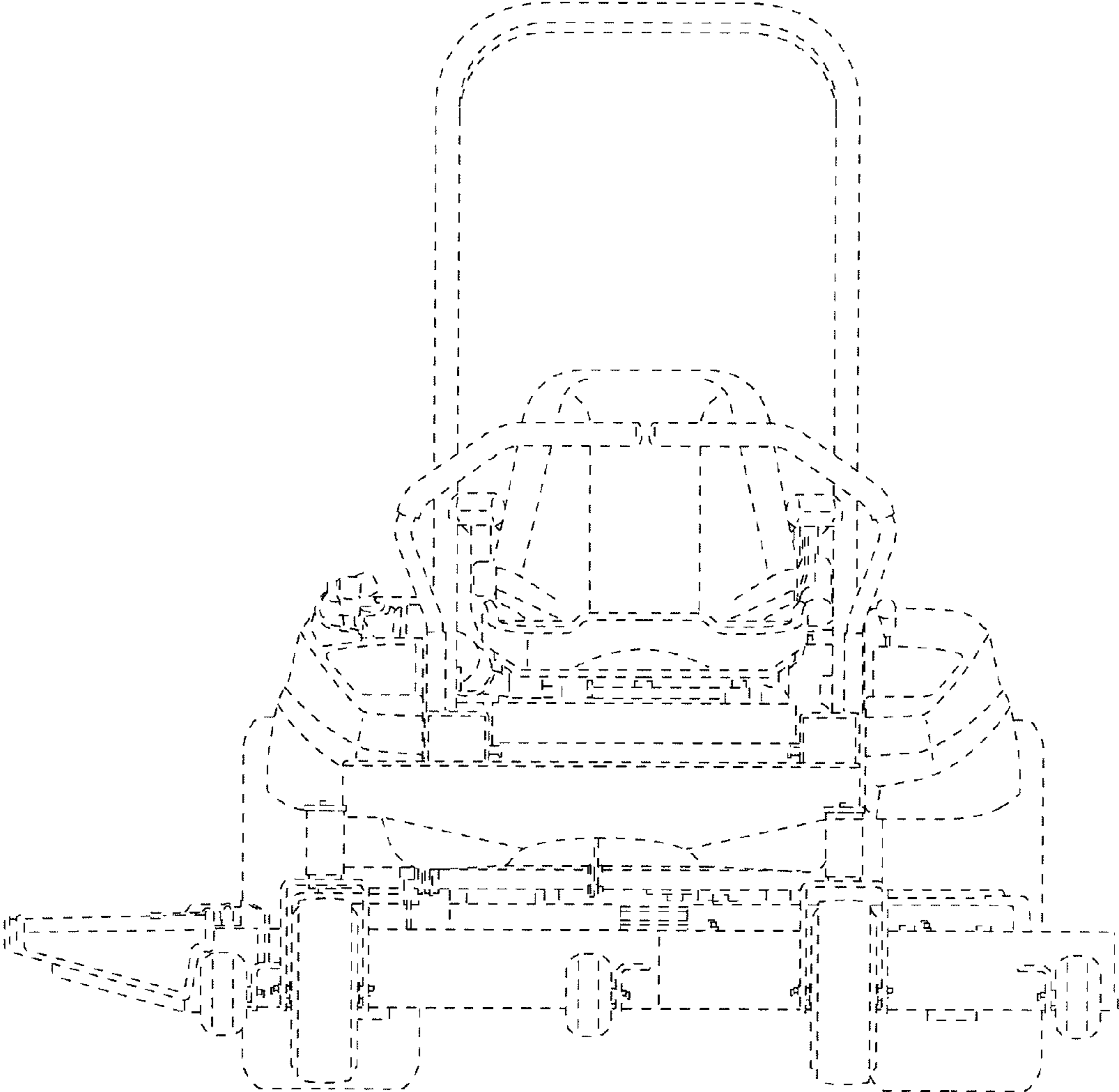
**1 Claim, 8 Drawing Sheets**

(56) **References Cited**

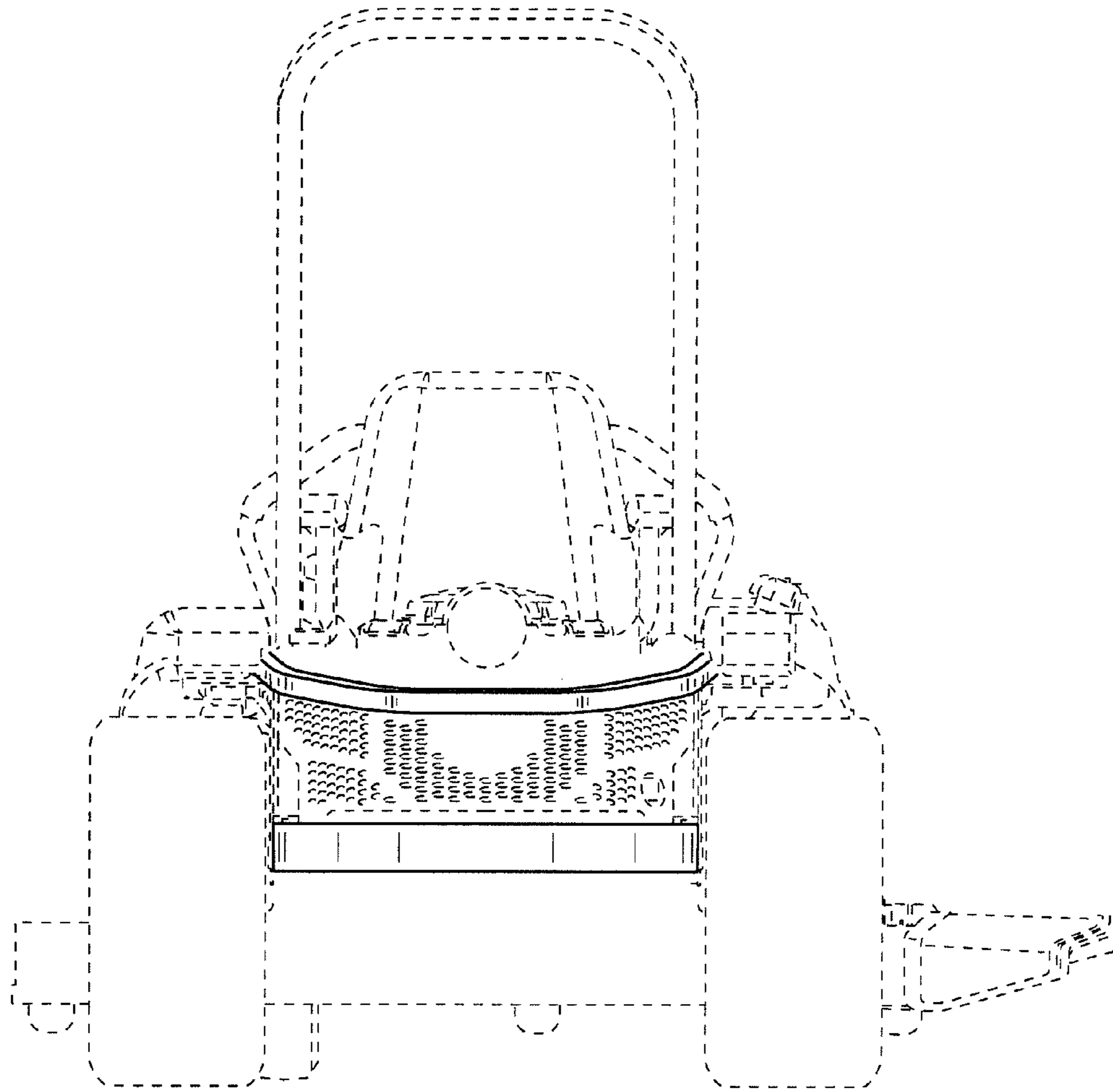
**U.S. PATENT DOCUMENTS**

|              |         |                       |        |
|--------------|---------|-----------------------|--------|
| D340,461 S * | 10/1993 | Patterson et al. .... | D15/15 |
| D340,936 S * | 11/1993 | Matsuda et al. ....   | D15/15 |
| D344,959 S * | 3/1994  | Patterson et al. .... | D15/17 |
| D362,447 S * | 9/1995  | Lamb .....            | D15/15 |
| D386,189 S * | 11/1997 | Wolf .....            | D15/15 |
| D387,358 S * | 12/1997 | Wolf .....            | D15/15 |
| D387,359 S * | 12/1997 | Wolf .....            | D15/17 |
| D389,160 S * | 1/1998  | Wolf .....            | D15/17 |
| D392,981 S * | 3/1998  | Smith .....           | D15/15 |
| D393,267 S * | 4/1998  | Wolf .....            | D15/17 |
| D397,121 S * | 8/1998  | Smith .....           | D15/15 |
| D398,311 S * | 9/1998  | Smith .....           | D15/15 |
| D440,233 S * | 4/2001  | Smith .....           | D15/17 |
| D442,972 S * | 5/2001  | Wolf .....            | D15/15 |
| D447,491 S * | 9/2001  | Goebert et al. ....   | D15/17 |

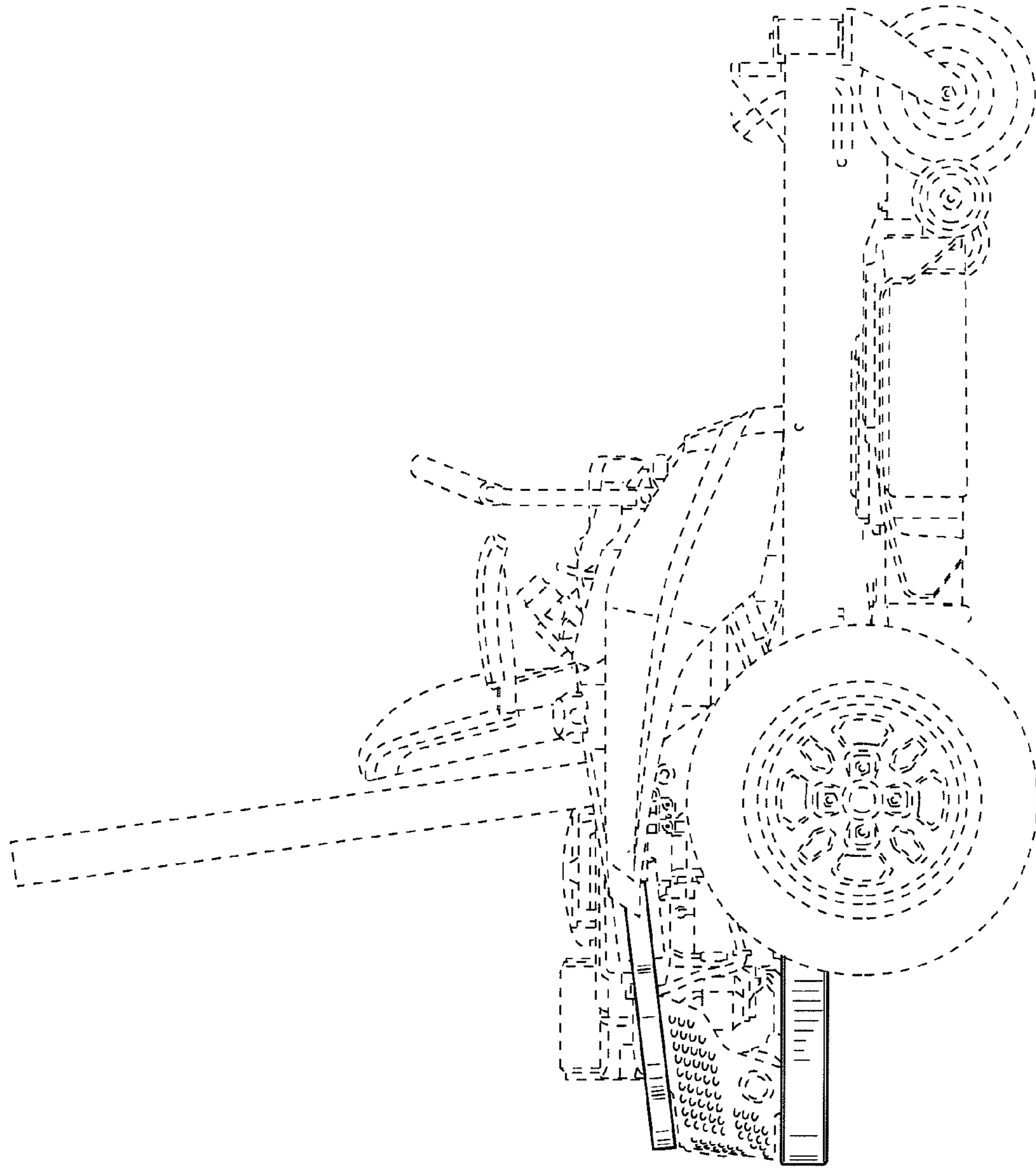




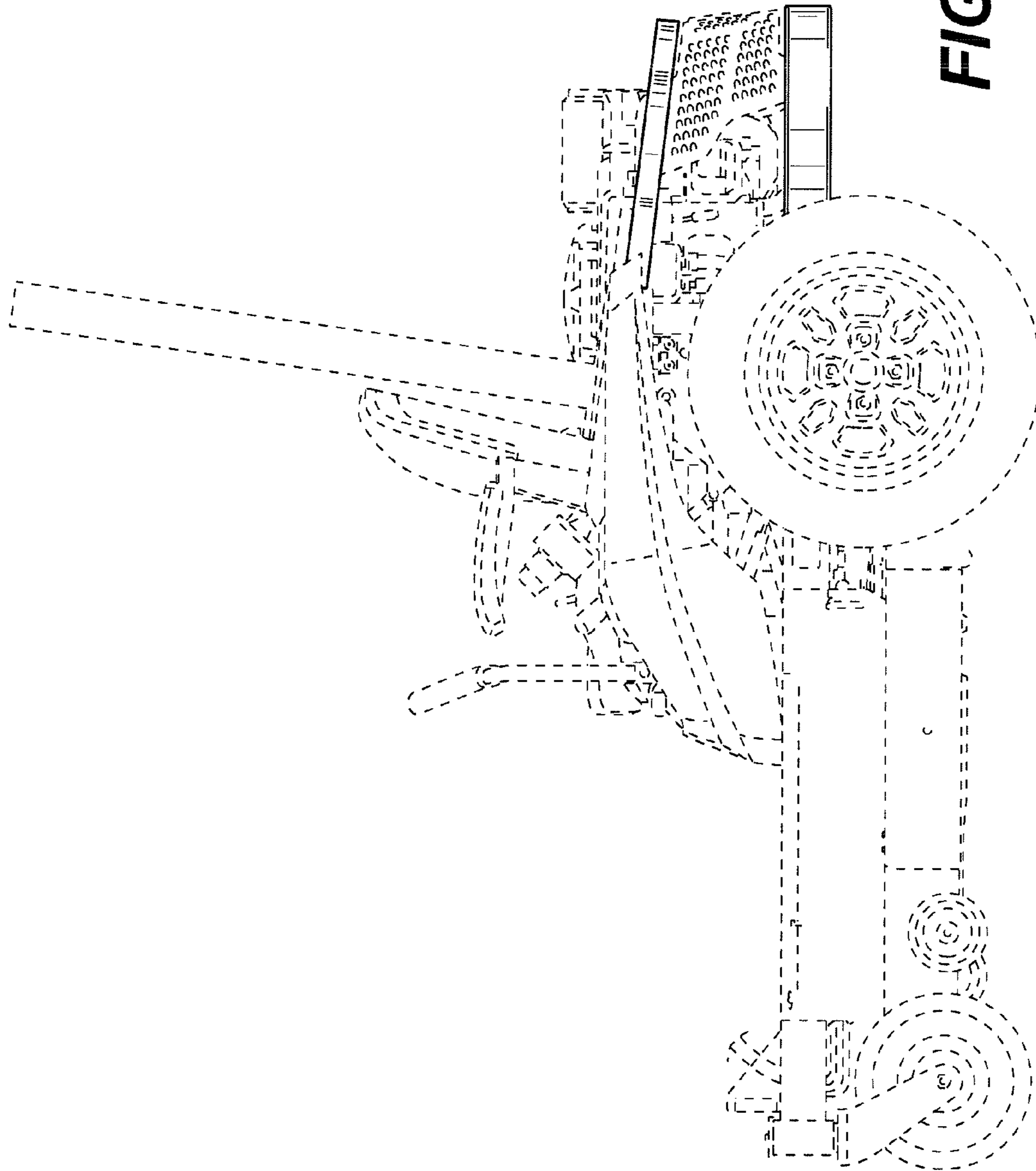
**FIG. 1**



**FIG. 2**



**FIG. 3**



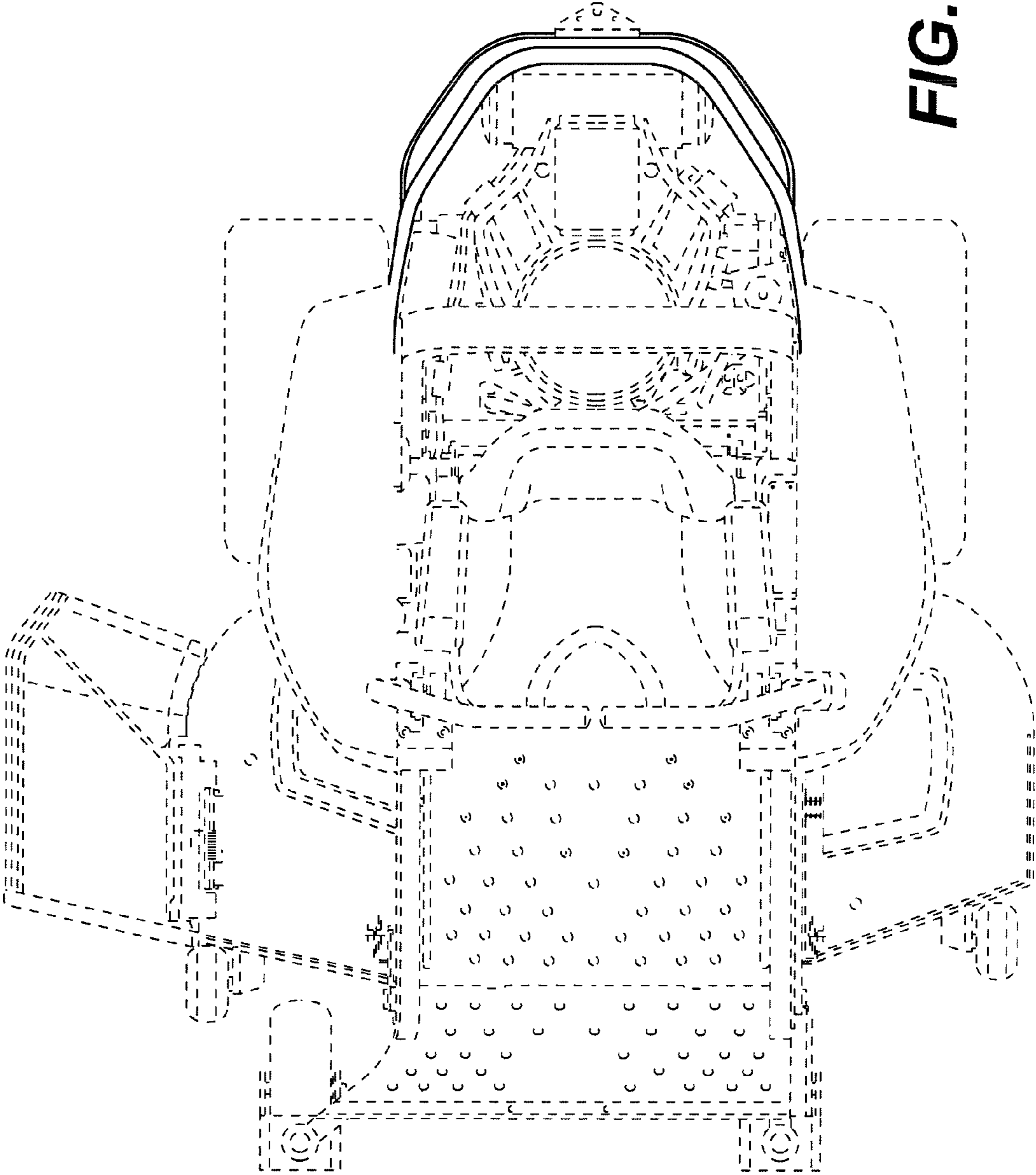
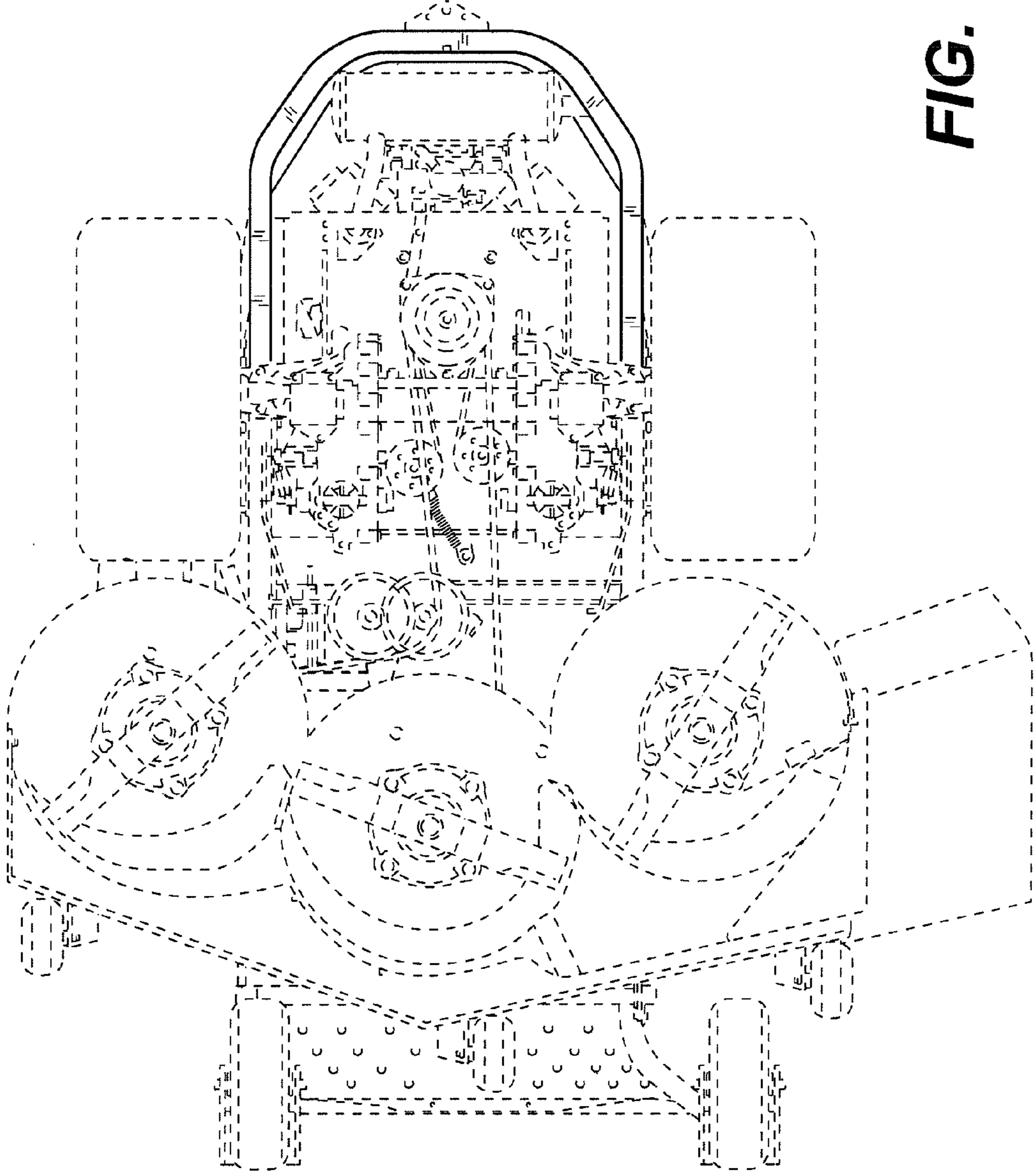
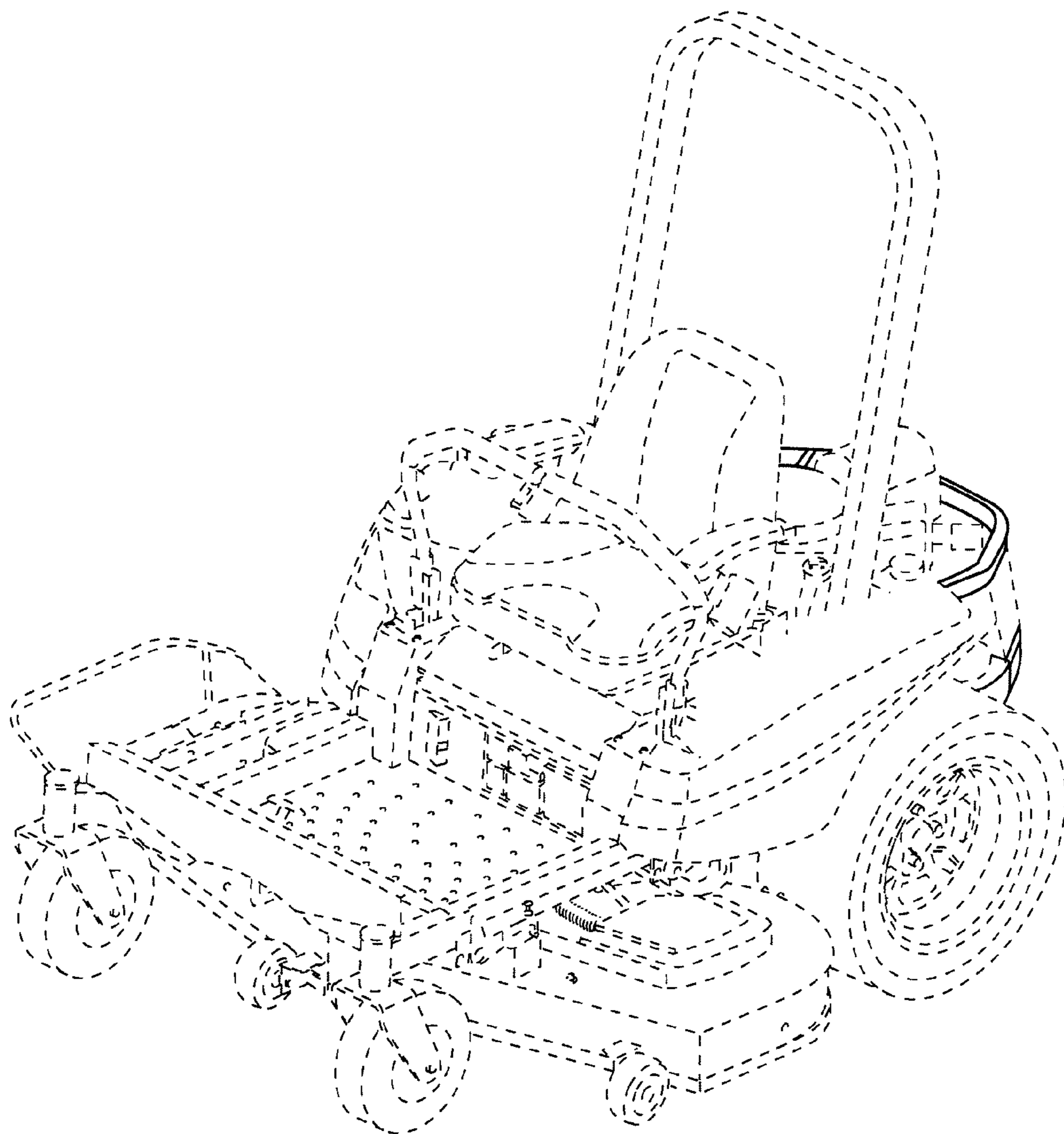


FIG. 5

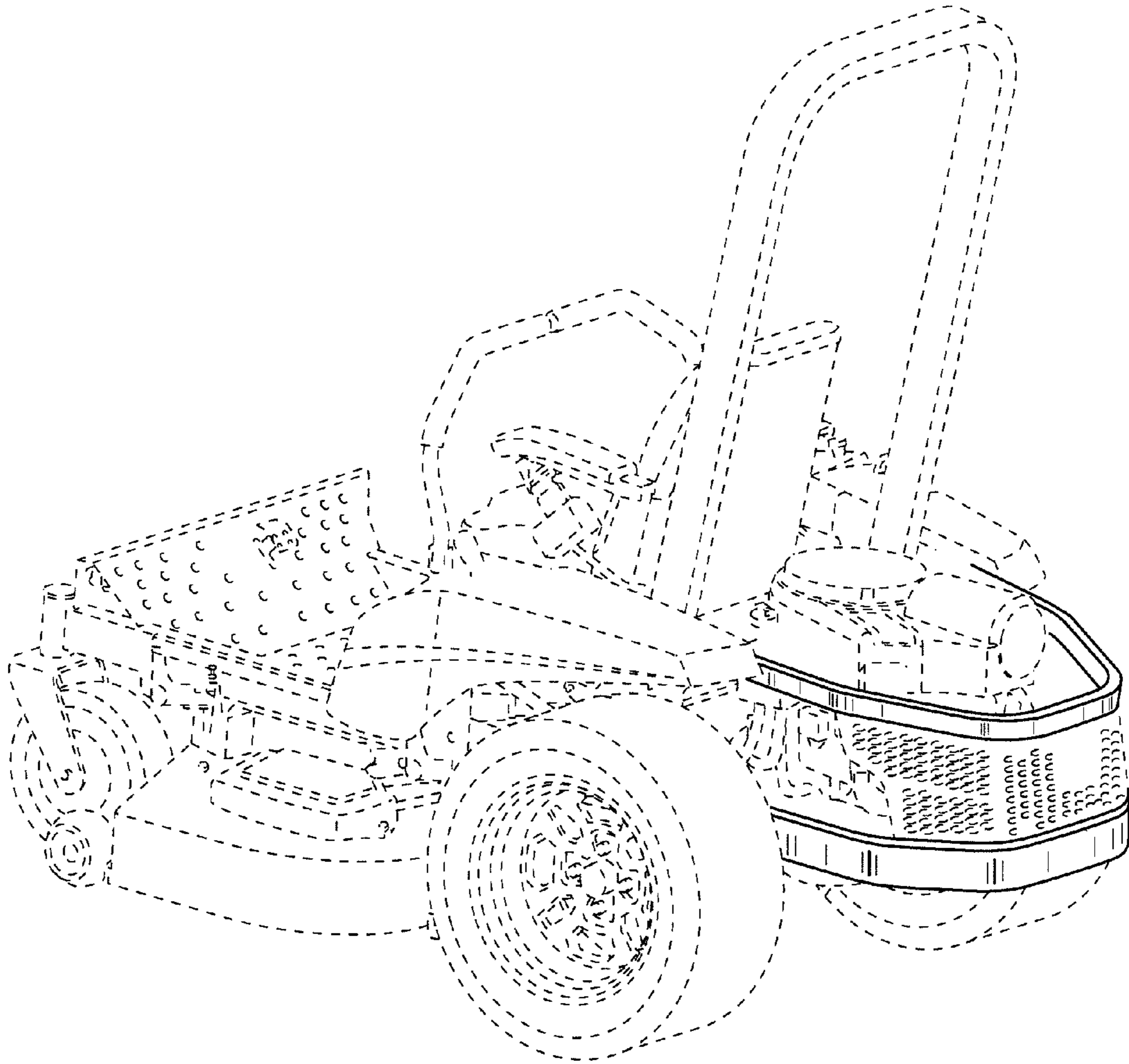


**FIG. 6**



**FIG. 7**





**FIG. 8**