



US00D674399S

(12) **United States Design Patent**
Welch et al.

(10) **Patent No.:** **US D674,399 S**
(45) **Date of Patent:** **** Jan. 15, 2013**

(54) **PROTECTIVE CASE FOR AN ELECTRONIC DEVICE**

(75) Inventors: **William Welch**, Los Altos, CA (US);
John Hong, Chicago, IL (US)

(73) Assignee: **Uncommon LLC**, Chicago, IL (US)

(**) Term: **14 Years**

(21) Appl. No.: **29/415,025**

(22) Filed: **Mar. 6, 2012**

(51) **LOC (9) Cl.** **14-02**

(52) **U.S. Cl.** **D14/455**

(58) **Field of Classification Search** D14/315-327,
D14/455; D18/1, 2, 7, 11; 235/145 A, 145 R;
341/22, 23; 345/104, 156, 168, 169, 173;
361/679.08, 679.09, 679.11, 679.26, 679.27
See application file for complete search history.

(56) **References Cited**

U.S. PATENT DOCUMENTS

6,067,224	A *	5/2000	Nobuchi	361/679.27
6,519,139	B2 *	2/2003	Kambayashi	361/679.09
D491,177	S *	6/2004	Andre et al.	D14/318
D605,192	S *	12/2009	Lin	D14/315
D624,911	S *	10/2010	Lee et al.	D14/315
2005/0041378	A1 *	2/2005	Hamada et al.	361/680

* cited by examiner

Primary Examiner — Freda S Nunn

(74) *Attorney, Agent, or Firm* — Bishop & Diehl, Ltd.

(57) **CLAIM**

The ornamental design for the protective case for an electronic device, as shown and described.

DESCRIPTION

FIG. 1 is a top perspective view of the protective case showing the new design;

FIG. 2 is a bottom perspective view of the protective case showing the new design;

FIG. 3 is a top plan view of the protective case;

FIG. 4 is a bottom plan view of the protective case;

FIG. 5 is a front elevational view of the protective case;

FIG. 6 is a rear elevational view of the protective case;

FIG. 7 is a left side elevational view of the protective case;

FIG. 8 is a right side elevational view of the protective case;

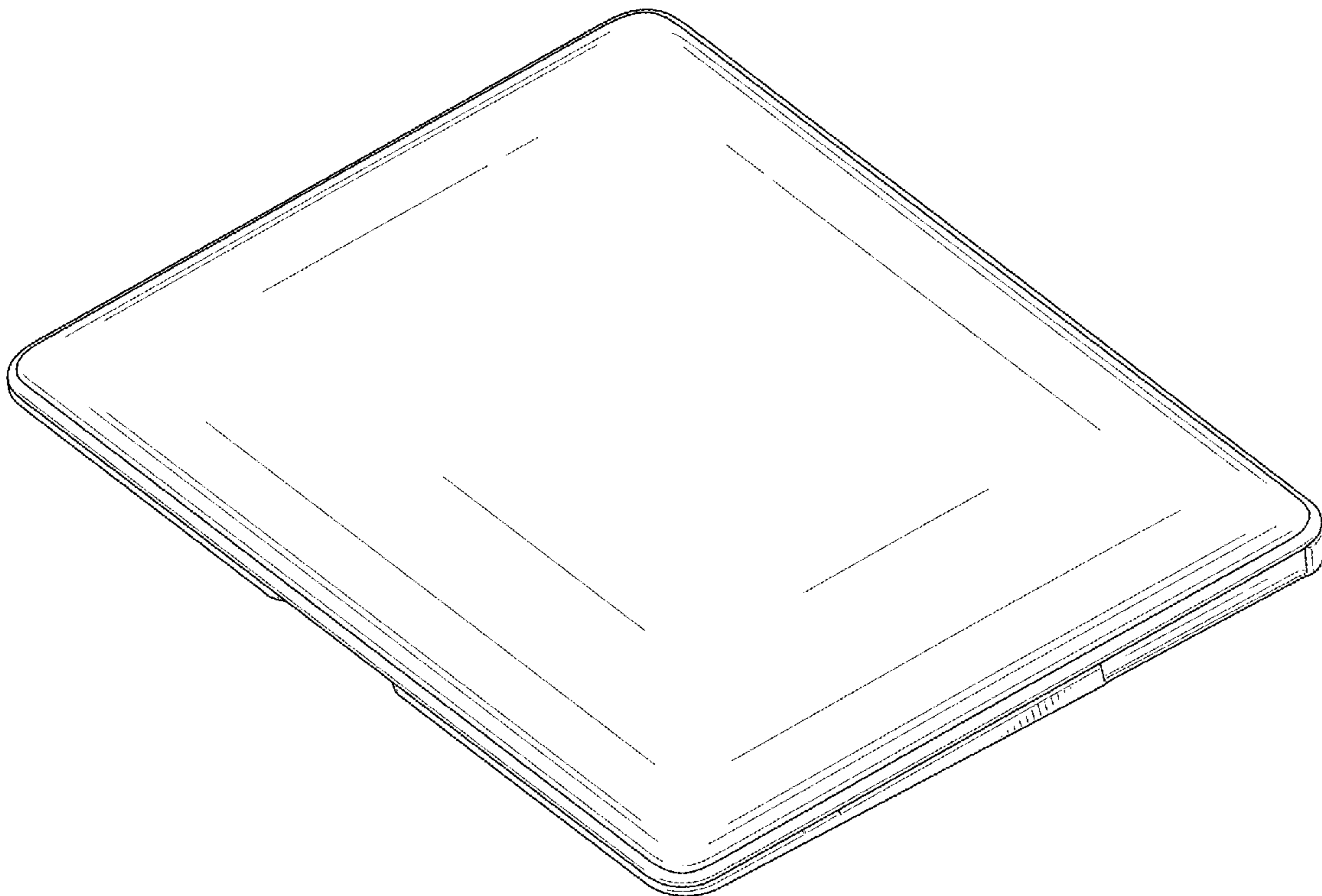
FIG. 9 is a top plan view of the bottom section of the protective case shown separately for clarity of illustration only;

FIG. 10 is a bottom plan view of the top section of the protective case shown separately for clarity of illustration only; and,

FIG. 11 is a perspective view of the protective case shown attached to a notebook computer.

Broken lines shown in the drawings illustrate portions of the protective case and notebook computer, and form no part of the claimed design.

1 Claim, 11 Drawing Sheets



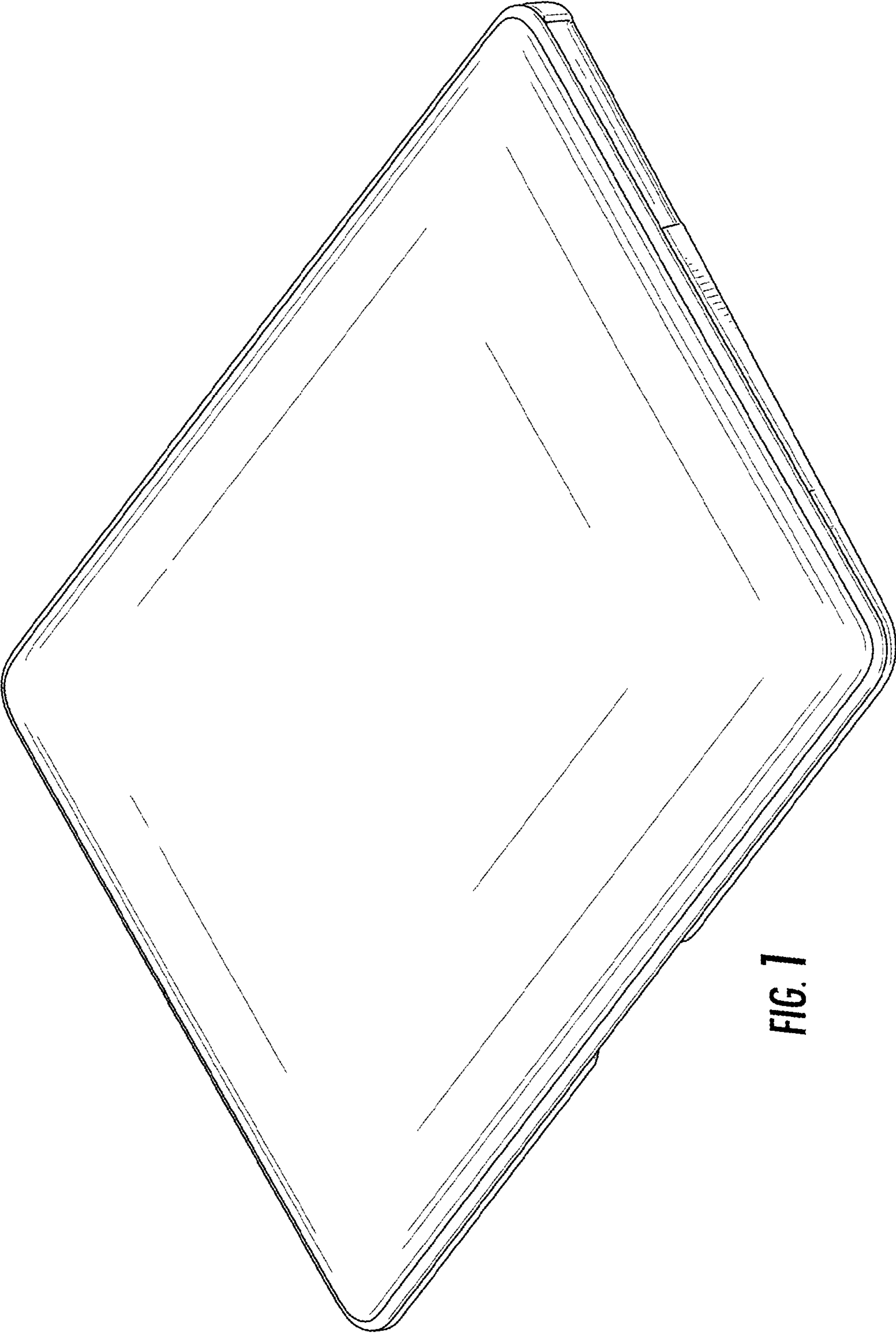


FIG. 1

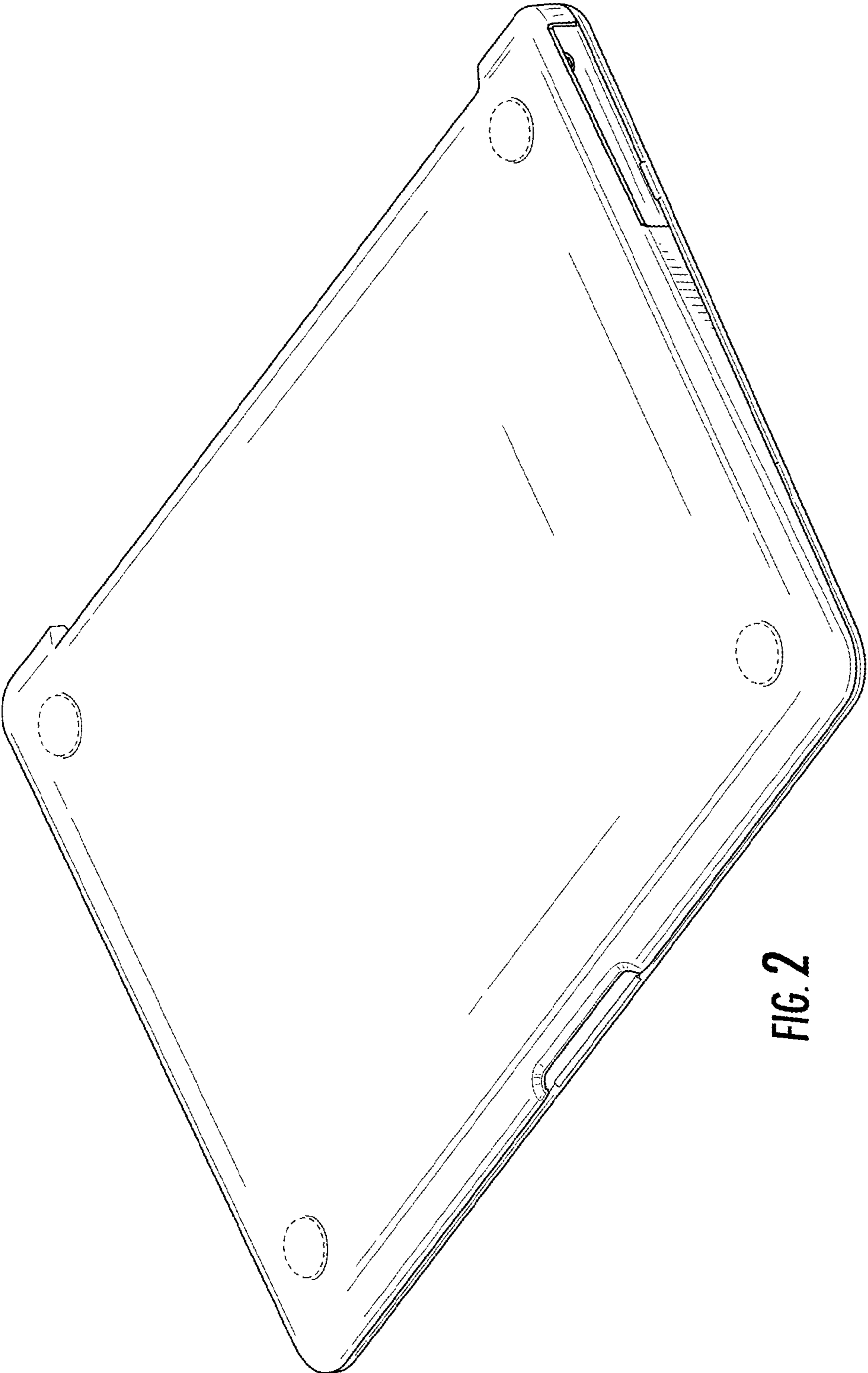


FIG. 2

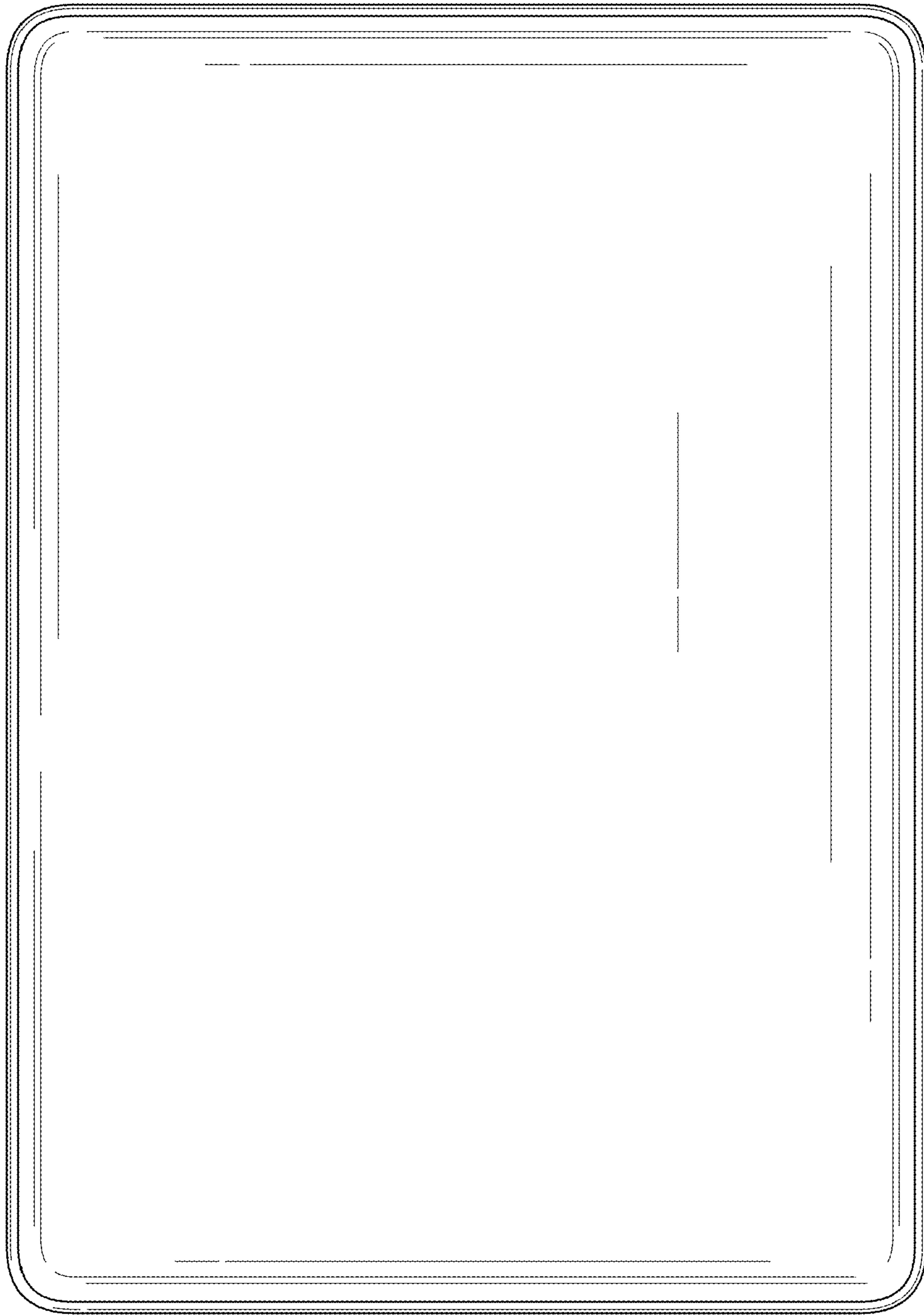


FIG. 3

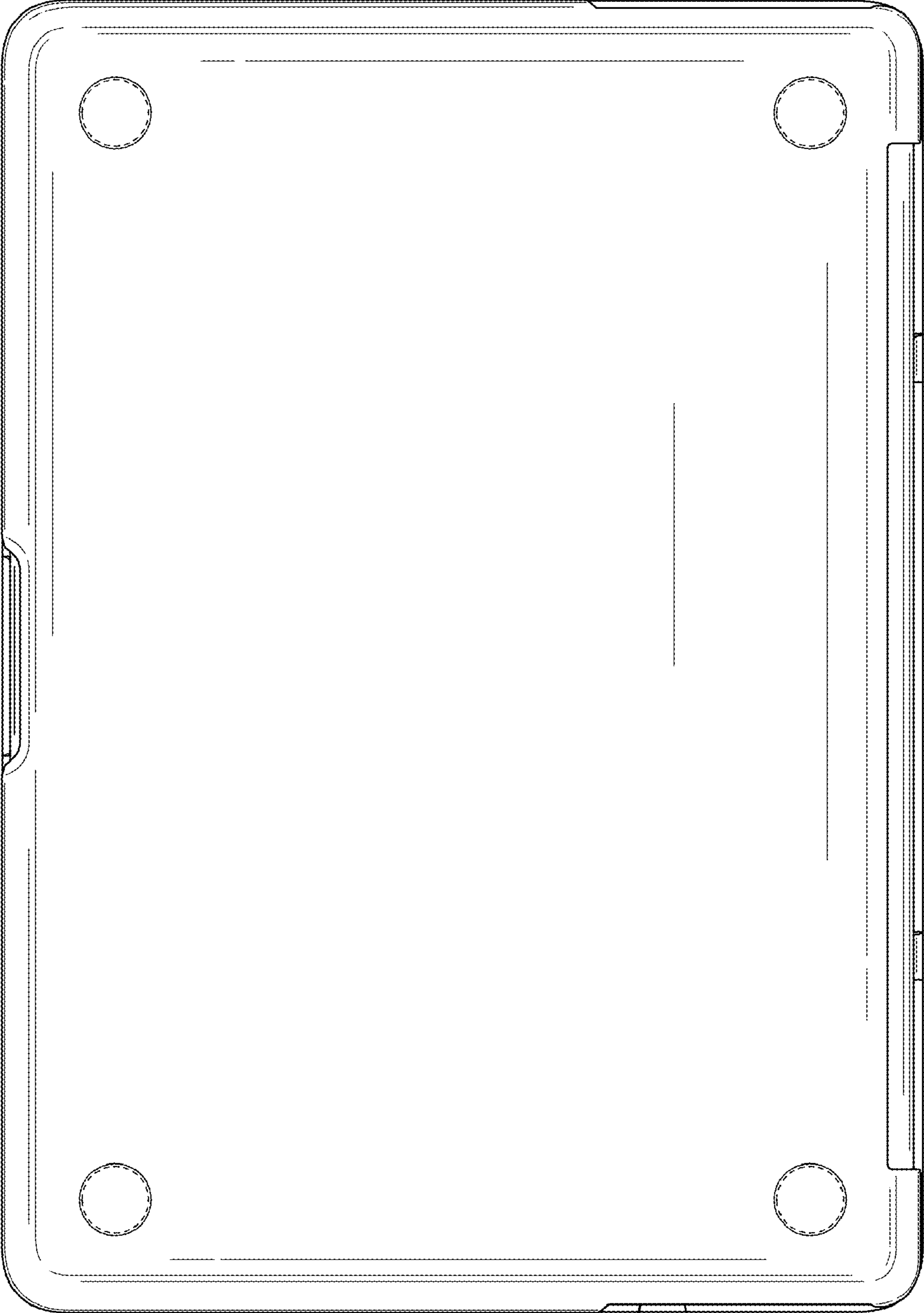


FIG. 4

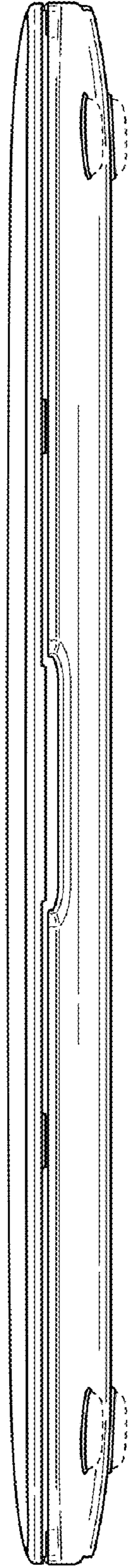


FIG. 5

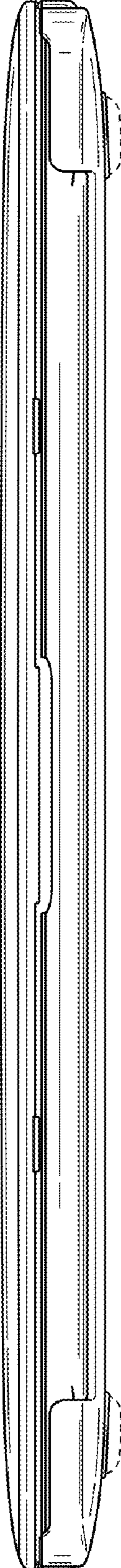


FIG. 6

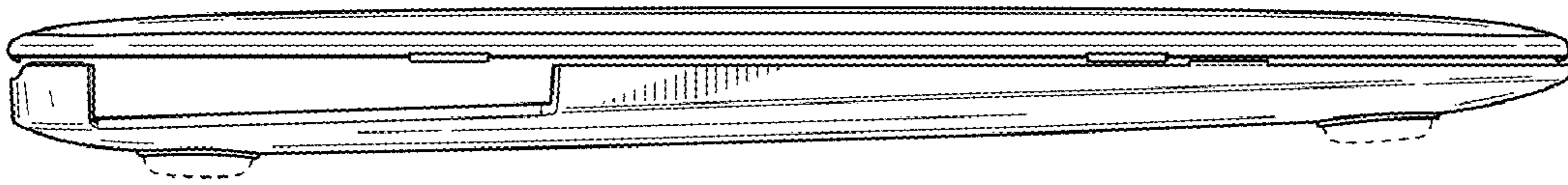


FIG. 7

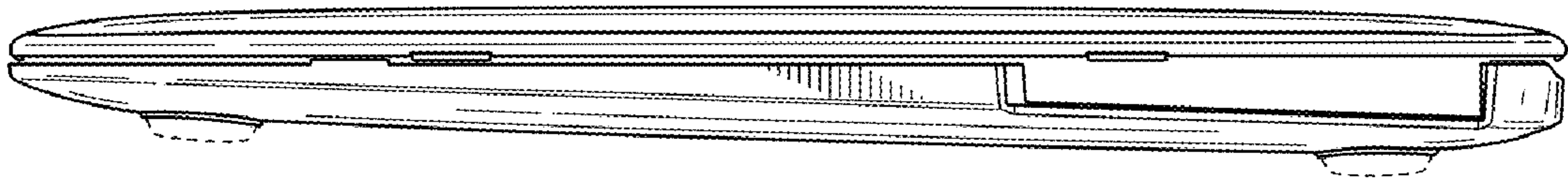


FIG. 8

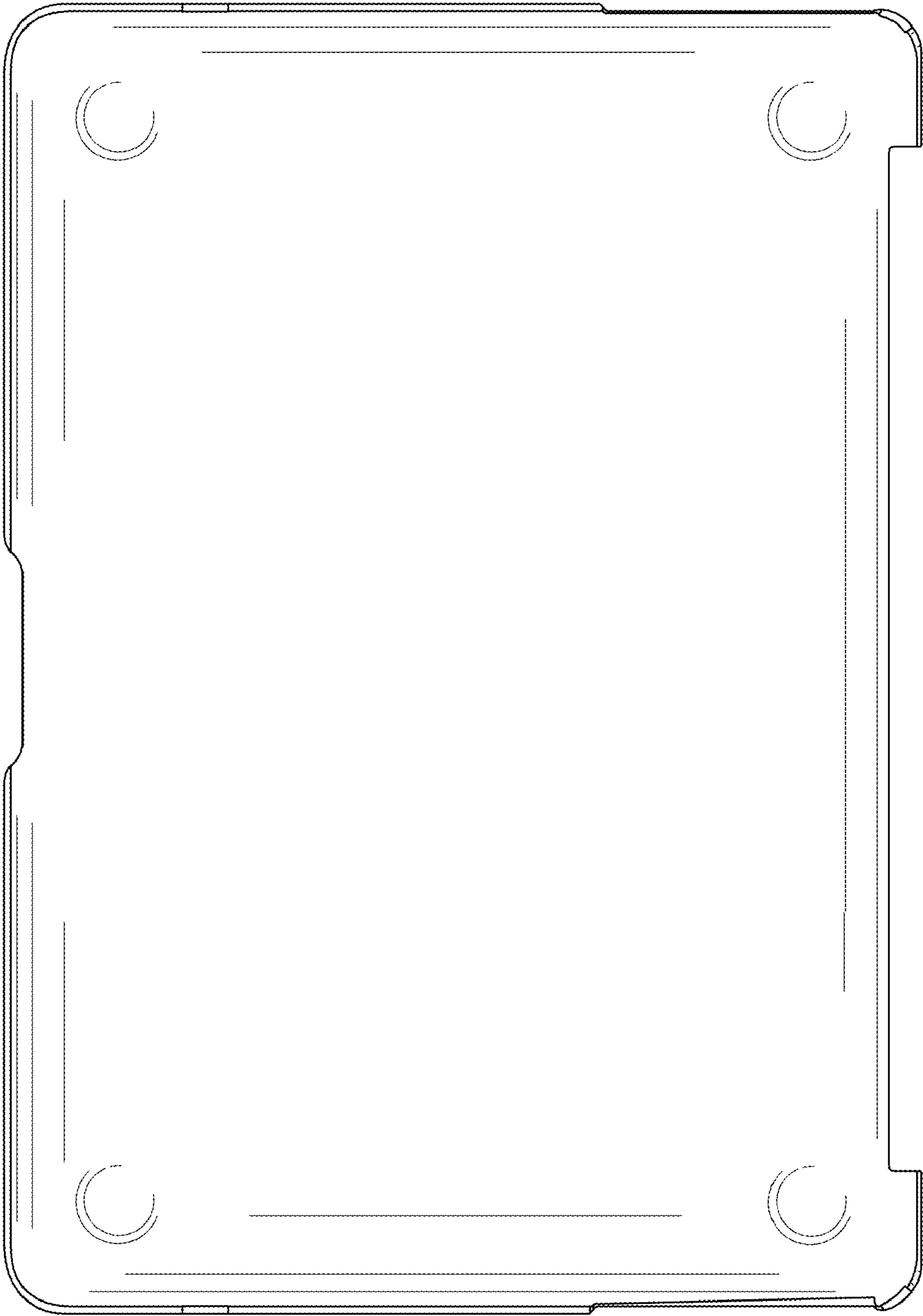


FIG. 9

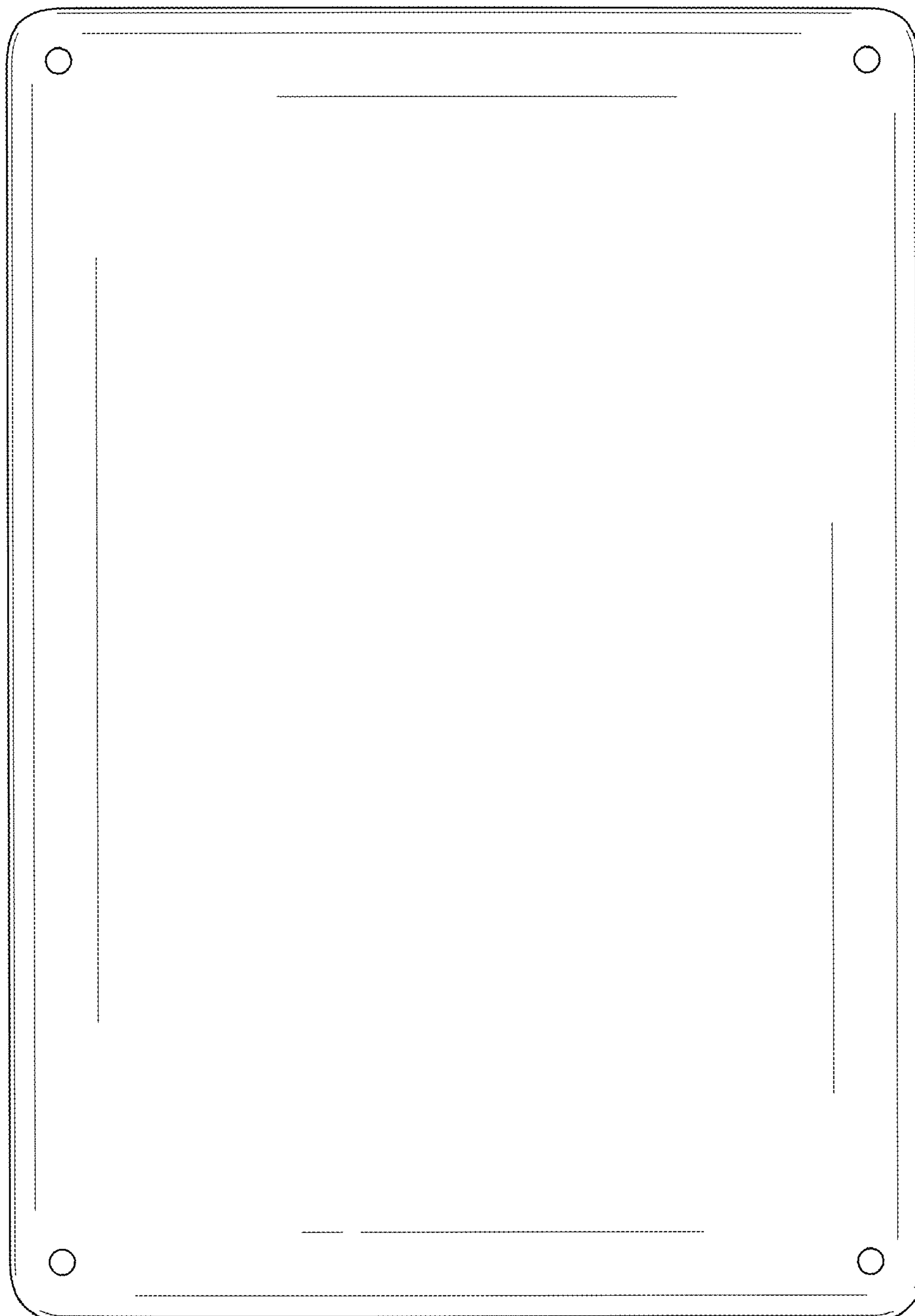


FIG. 10

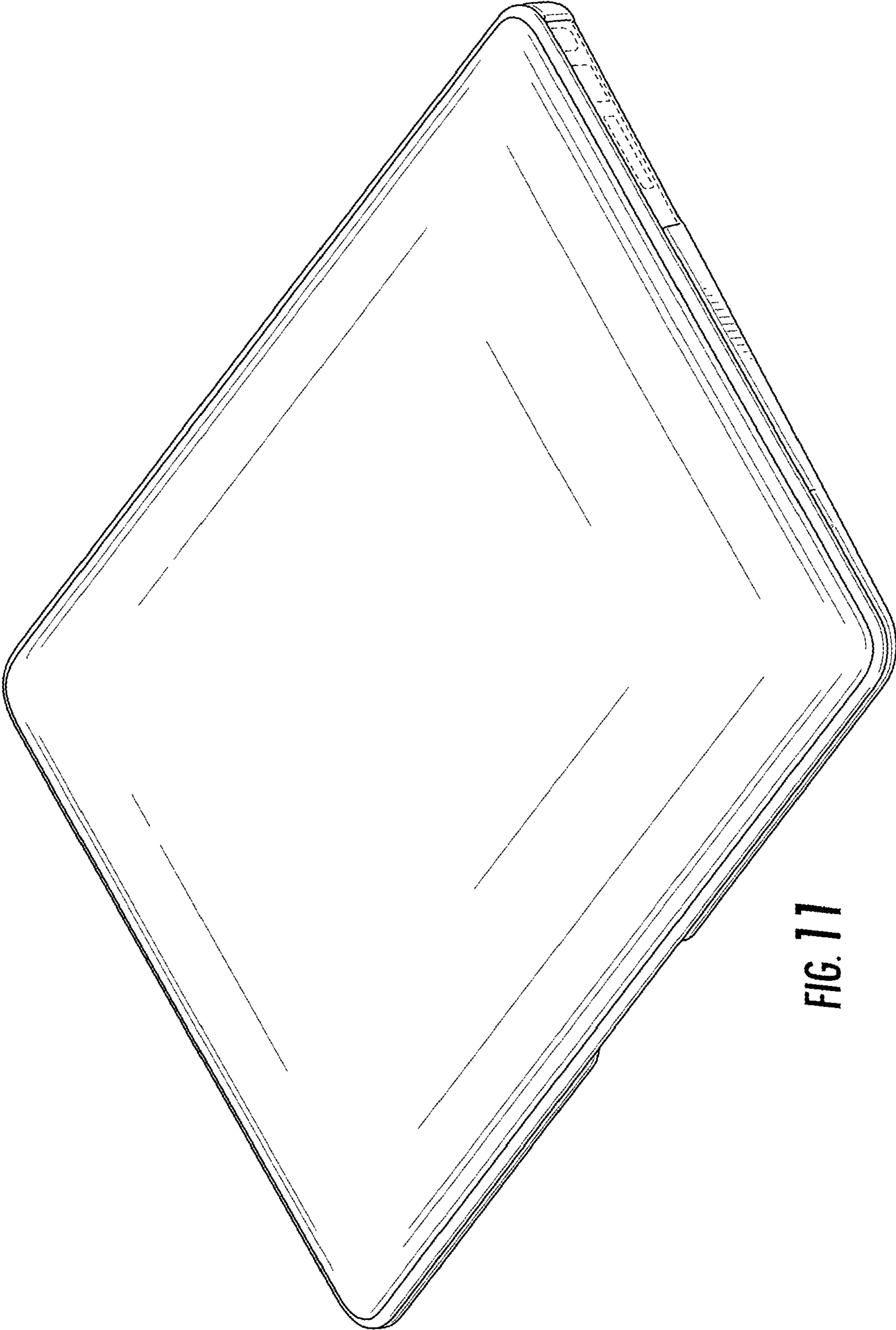


FIG. 11