



US00D674397S

(12) **United States Design Patent**
Asher

(10) **Patent No.:** **US D674,397 S**
(45) **Date of Patent:** **** Jan. 15, 2013**

(54) **ELECTRONIC DEVICE HOLDER**
(75) Inventor: **Timothy Asher**, West Lafayette, IN (US)
(73) Assignee: **Robert Bosch GmbH**, Stuttgart (DE)
(**) Term: **14 Years**
(21) Appl. No.: **29/414,780**

D549,709 S * 8/2007 Richter D14/447
D566,118 S * 4/2008 Brassard D14/434
D586,795 S * 2/2009 Richter D14/253
D603,322 S * 11/2009 Nicieja D12/415
D610,579 S * 2/2010 Behar et al. D14/250
8,020,816 B2 * 9/2011 Laitila et al. 248/125.7
D646,315 S * 10/2011 Orf D16/242
D654,120 S * 2/2012 Lin D21/333
2005/0205728 A1 * 9/2005 Avery 248/149

* cited by examiner

(22) Filed: **Mar. 2, 2012**
(51) **LOC (9) Cl.** **08-07**
(52) **U.S. Cl.** **D14/447**
(58) **Field of Classification Search** D14/447,
D14/432, 433, 434, 439, 440, 451, 452, 457,
D14/239, 251, 253, 217, 374, 375, 376, 377,
D14/902; D12/415, 416; D3/218, 274, 318,
D3/321, 328; D6/406.3, 406.4; 190/117;
361/679.03, 679.09, 679.05, 679.26, 679.3,
361/679.55, 679.56; 248/176.1, 917, 918,
248/919, 920, 921, 922, 923, 924, 682, 689,
248/690, 691, 692, 441.1, 444, 447, 451,
248/460, 463, 118, 118.5, 149, 150, 166,
248/434

See application file for complete search history.

Primary Examiner — Angela J Lee
(74) *Attorney, Agent, or Firm* — Taft Stettinius & Hollister
LLP; Keith Swede

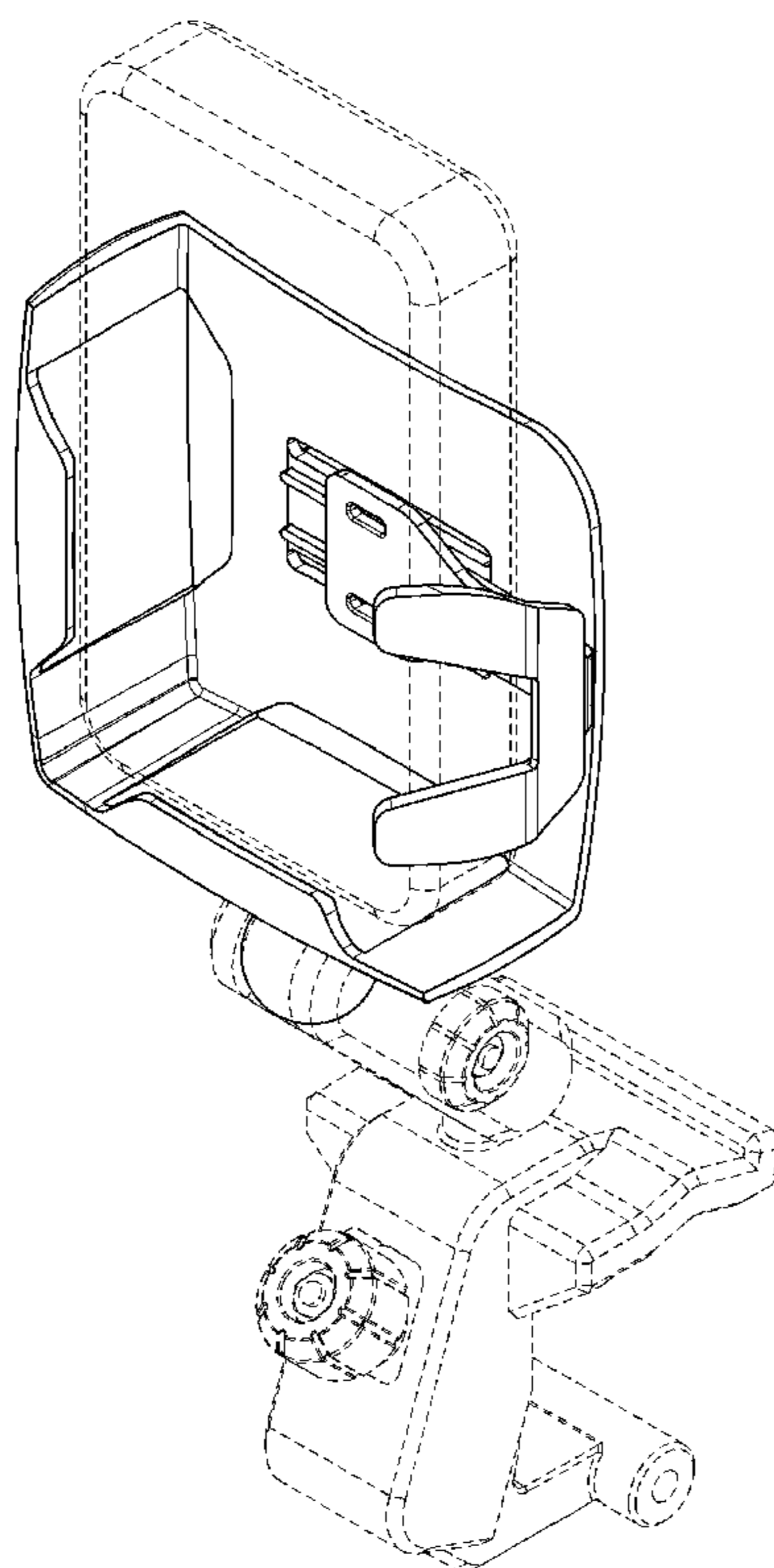
(57) **CLAIM**
The ornamental design for the electronic device holder, as
shown and described.

DESCRIPTION

FIG. 1 is a top, left perspective view of the electronic device
holder;
FIG. 2 is a front view thereof;
FIG. 3 is a rear view thereof;
FIG. 4 is a right side view thereof;
FIG. 5 is a left side view thereof;
FIG. 6 is a top view thereof; and,
FIG. 7 is a bottom view thereof.
The broken lines shown in the drawings represent a smart
phone and adjustable base that form no part of the claimed
design.

(56) **References Cited**
U.S. PATENT DOCUMENTS
D411,931 S * 7/1999 Hartmann et al. D6/553
D470,147 S * 2/2003 Tan et al. D14/432
D529,905 S * 10/2006 Richter D14/253
D533,175 S * 12/2006 Richter D14/253

1 Claim, 6 Drawing Sheets



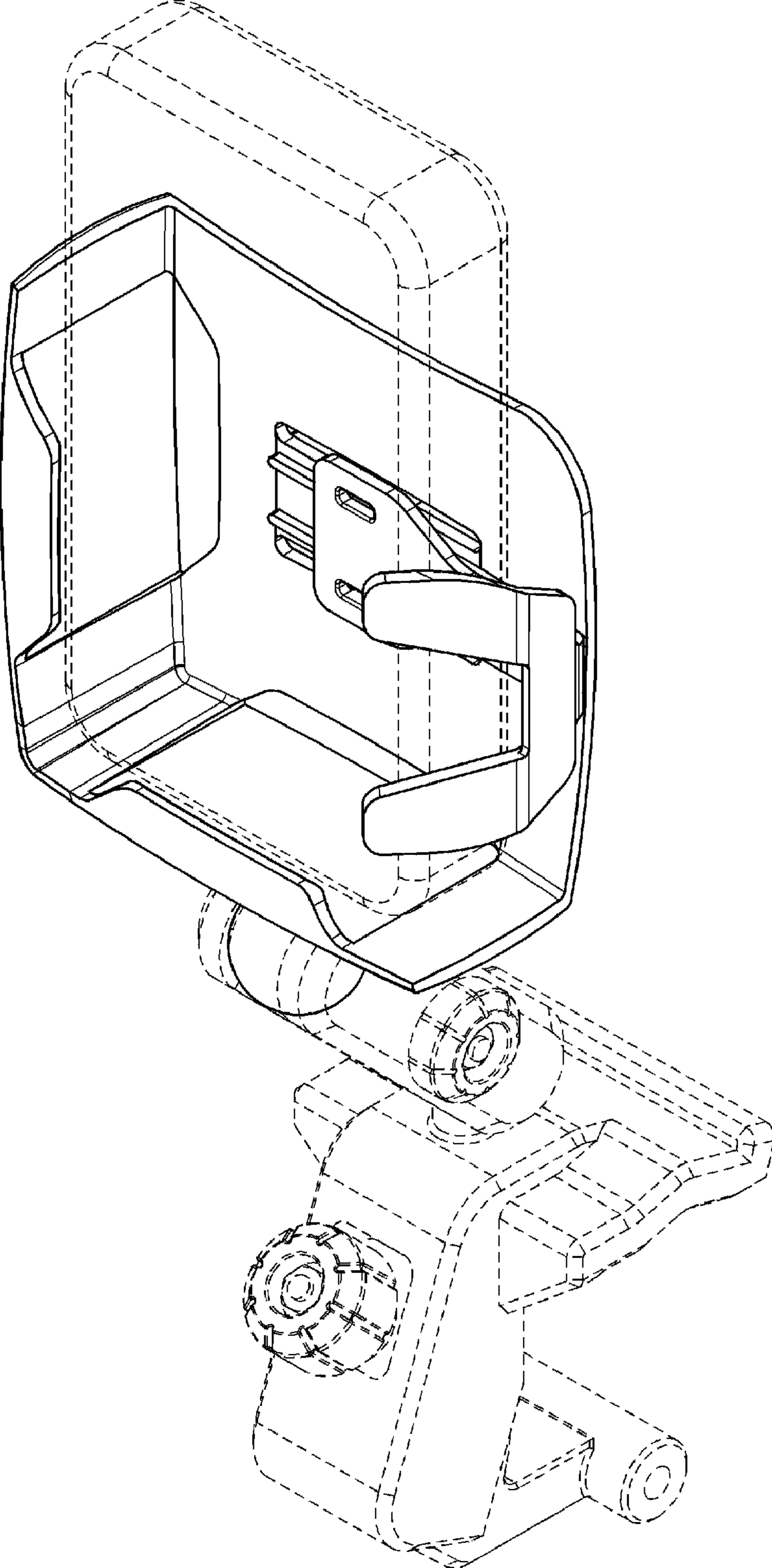


Fig. 1

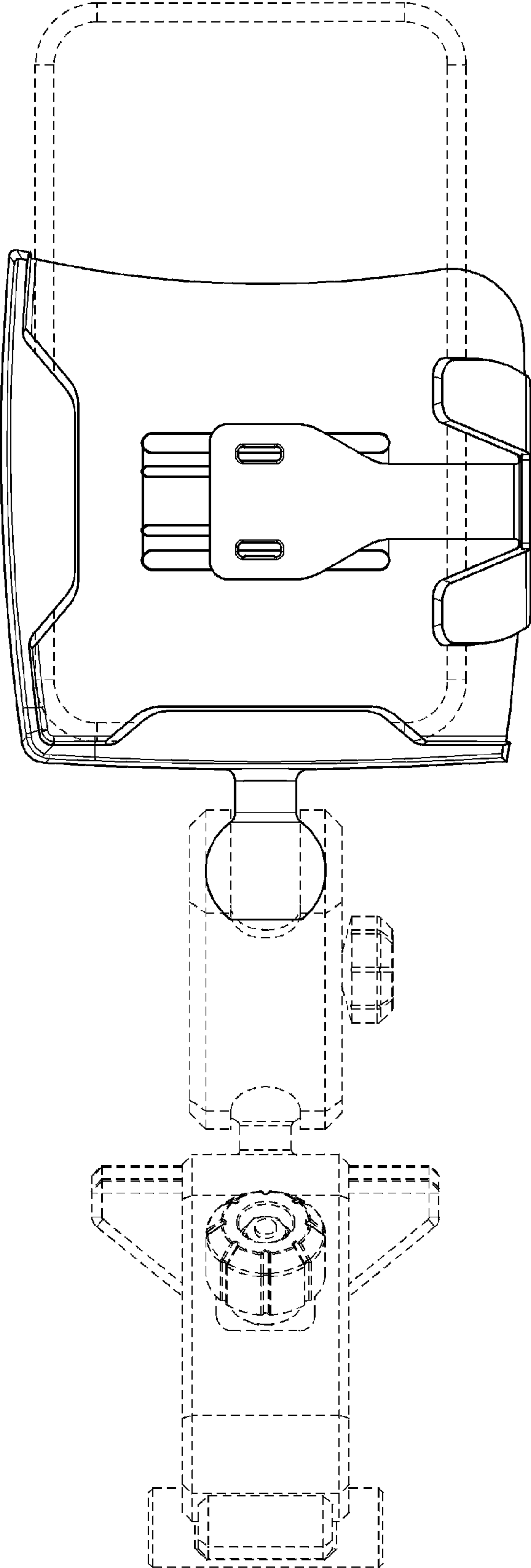


Fig. 2

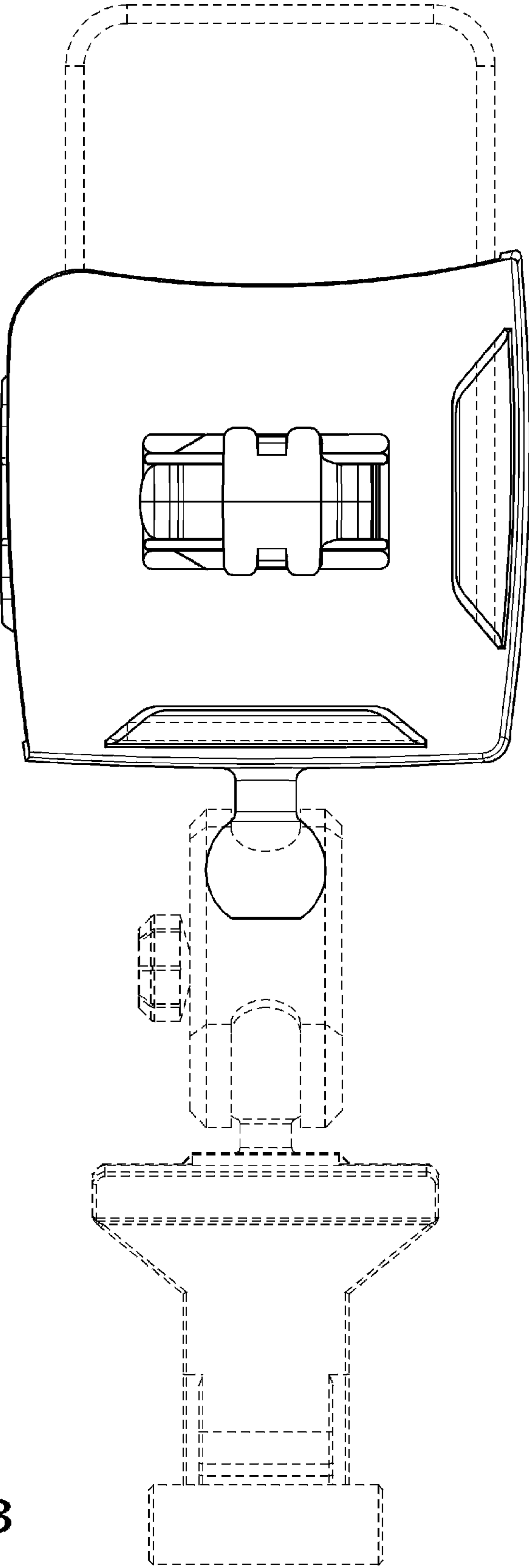


Fig. 3

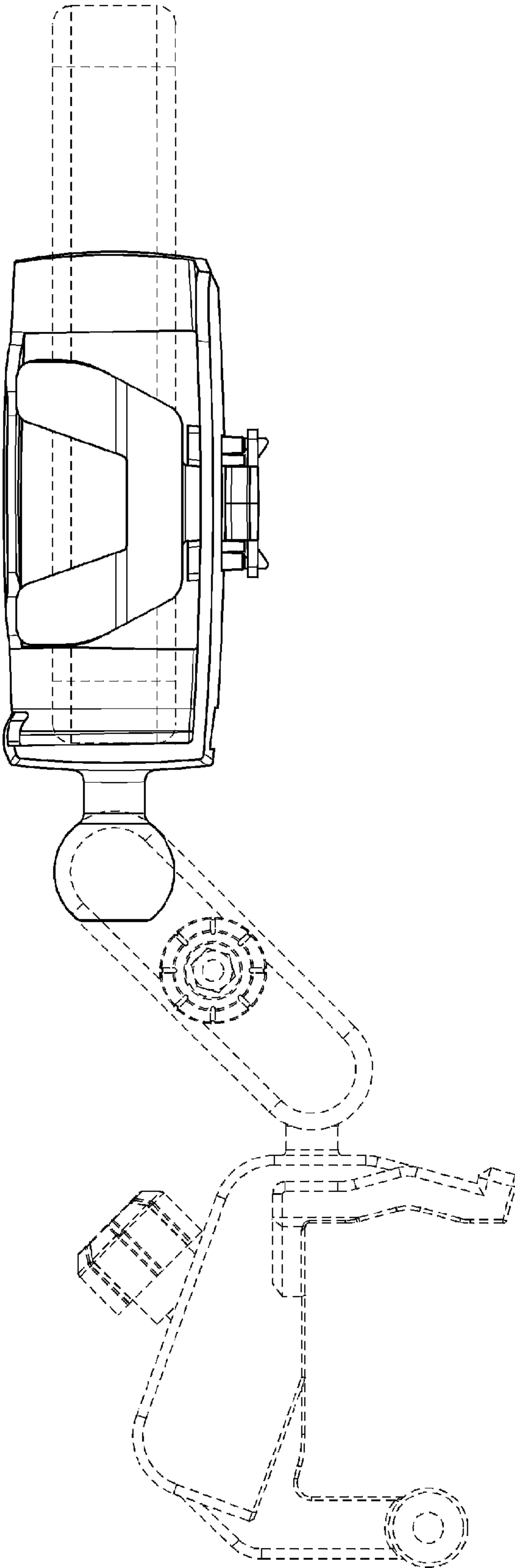


Fig. 4

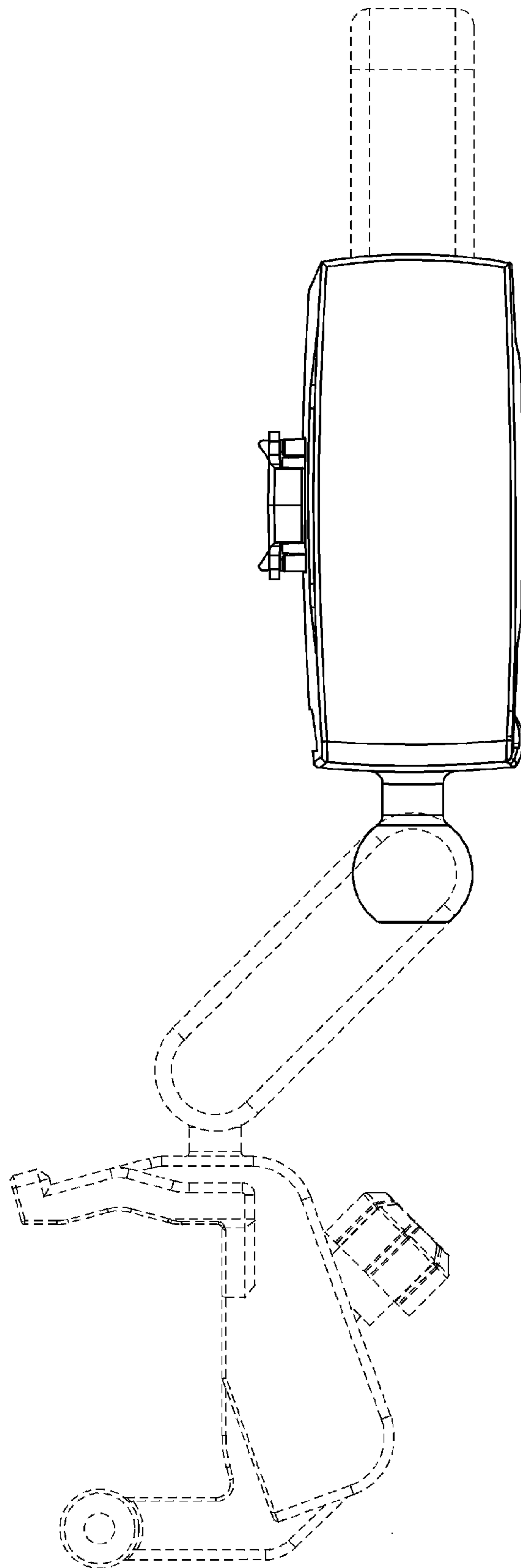


Fig. 5

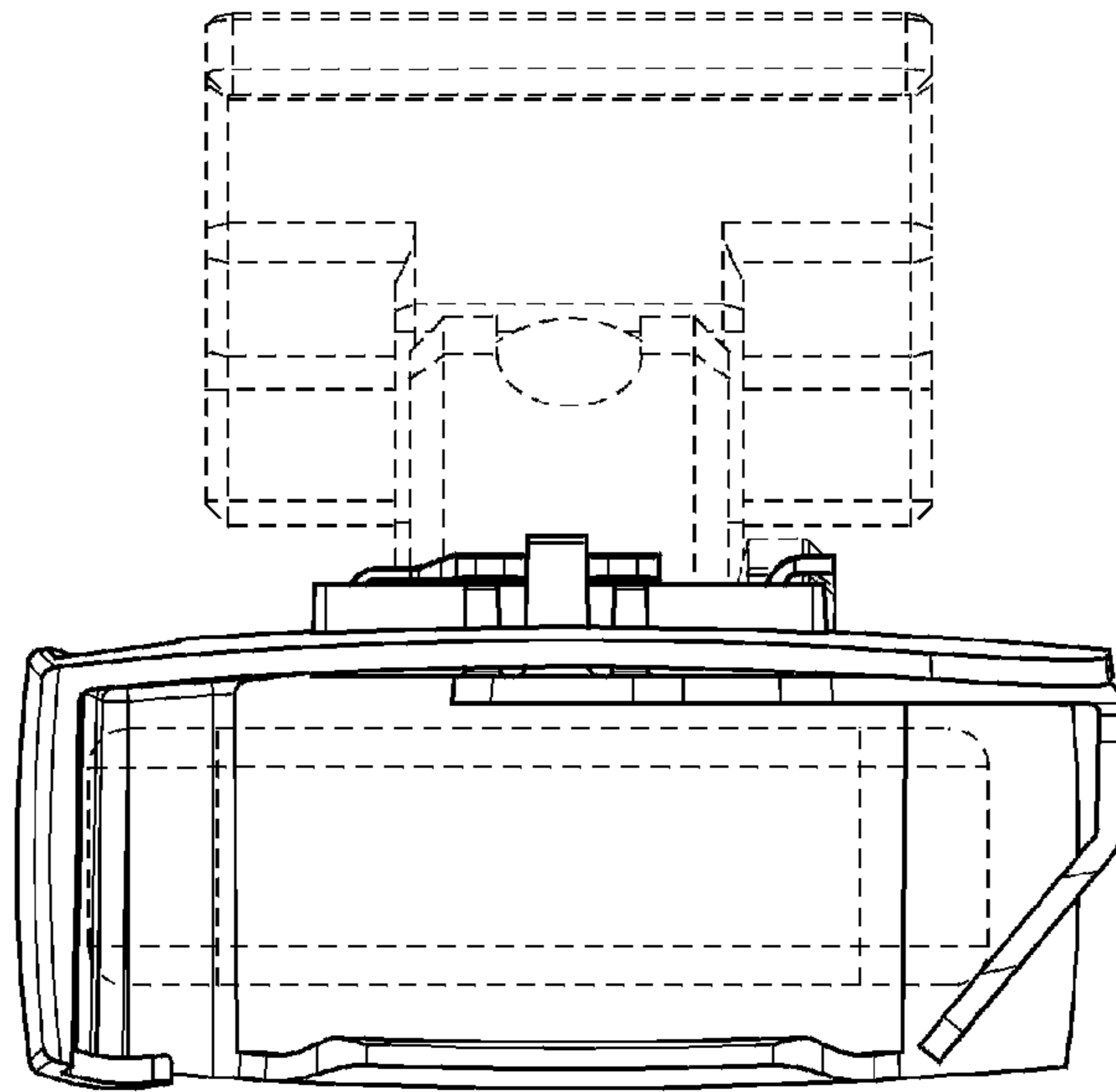


Fig. 6

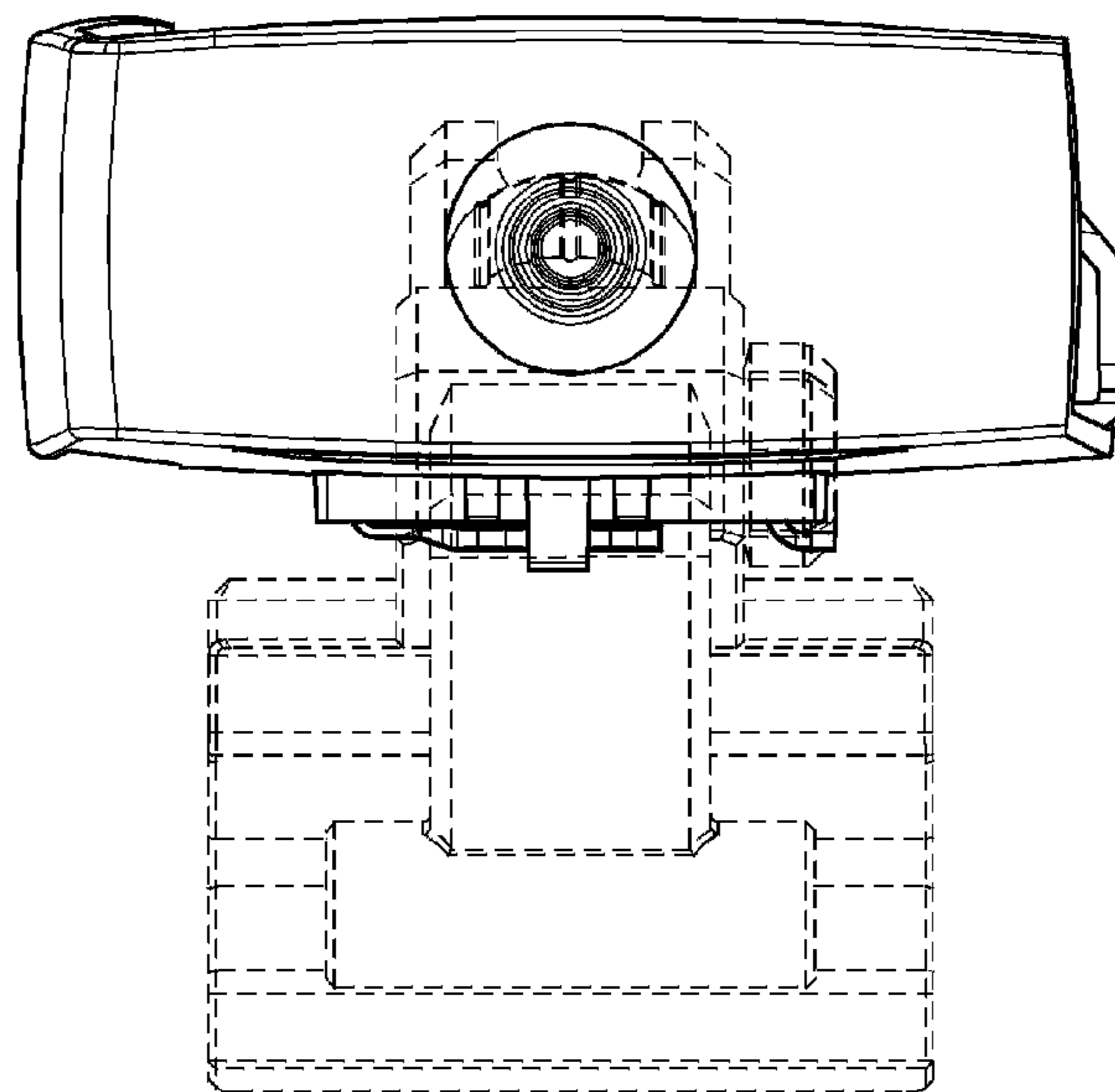


Fig. 7