



US00D674396S

(12) **United States Design Patent**
Yang et al.

(10) **Patent No.:** **US D674,396 S**
(45) **Date of Patent:** **** Jan. 15, 2013**

(54) **SUPPORT FOR PORTABLE ELECTRONIC DEVICE**

(75) Inventors: **Hsin-Yung Yang**, Tu-Cheng (TW);
Li-Houng Lu, Tu-Cheng (TW);
Ching-Min Lin, Tu-Cheng (TW);
Tzu-Cheng Yu, Santa Clara, CA (US)

(73) Assignee: **Chi Mei Communication Systems, Inc.**, New Taipei (TW)

(**) Term: **14 Years**

(21) Appl. No.: **29/409,100**

(22) Filed: **Dec. 20, 2011**

(51) **LOC (9) Cl.** **08-07**

(52) **U.S. Cl.** **D14/447**

(58) **Field of Classification Search** D14/447,
D14/432, 433, 434, 439, 448, 451, 452, 217,
D14/239, 250, 251, 253, 238.1; D13/107,
D13/108; D21/333; D6/300, 310, 311, 312,
D6/406.1, 406.2, 406.3, 406.4, 406.5, 406.6,
D6/419; D8/363, 373, 380

See application file for complete search history.

(56) **References Cited**

U.S. PATENT DOCUMENTS

4,674,724	A *	6/1987	Gaudet	248/459
5,029,798	A *	7/1991	Clark	248/459
5,722,628	A *	3/1998	Menaged	248/441.1
D544,218	S *	6/2007	Schelert	D6/300
7,739,816	B2 *	6/2010	Kowatari	40/124.09
D626,964	S *	11/2010	Richardson et al.	D14/447
7,861,995	B2 *	1/2011	Liou	248/454
D639,814	S *	6/2011	Farris-Gilbert et al.	D14/447

D643,635	S *	8/2011	Harding	D6/310
D651,213	S *	12/2011	Magness et al.	D14/447
D661,310	S *	6/2012	Belongia et al.	D14/447
2009/0159763	A1 *	6/2009	Kim	248/174
2011/0278421	A1 *	11/2011	Guldalian	248/459
2012/0033372	A1 *	2/2012	Liu et al.	361/679.27

* cited by examiner

Primary Examiner — Angela J Lee

(74) *Attorney, Agent, or Firm* — Altis Law Group, Inc.

(57) **CLAIM**

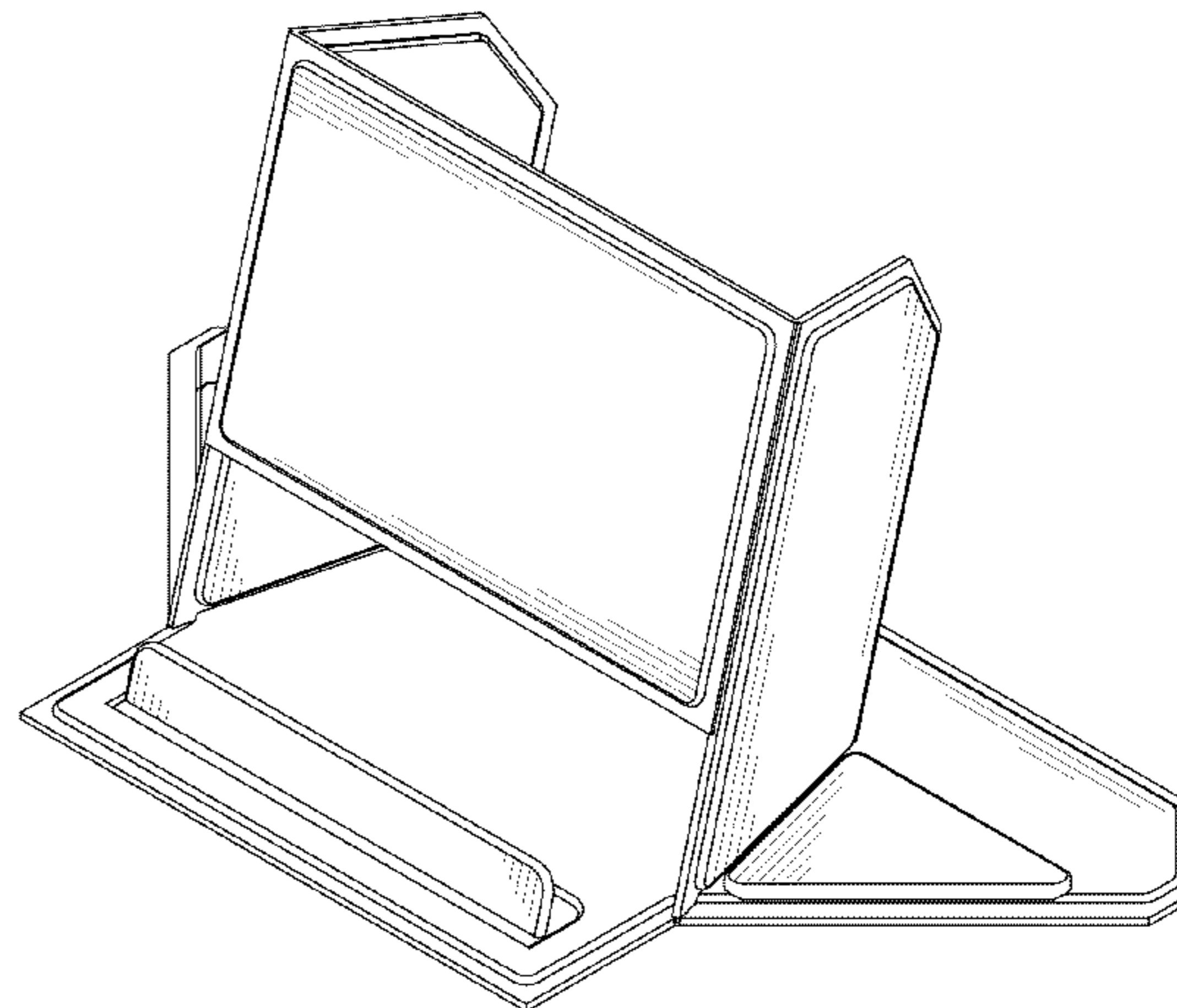
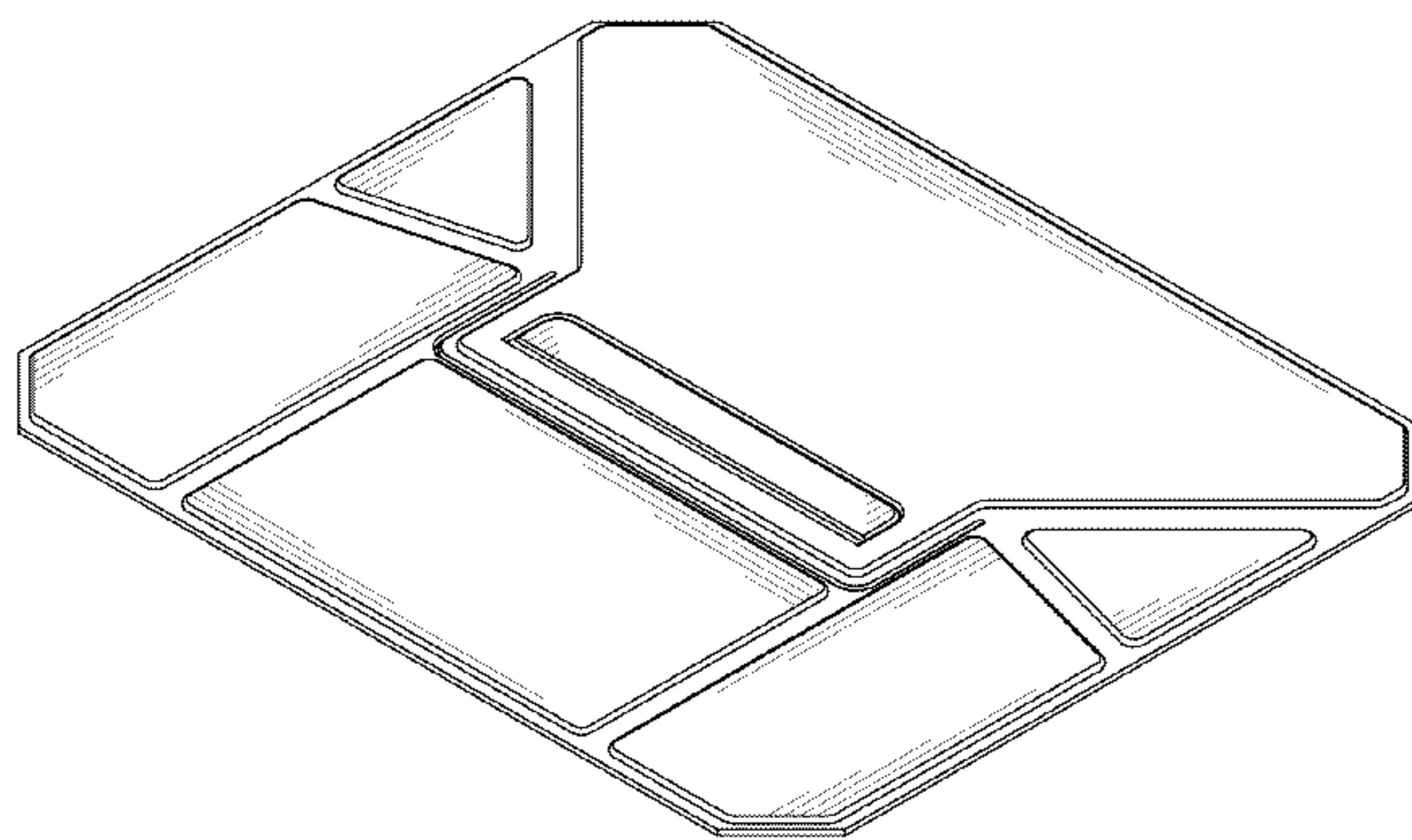
The ornamental design for a support for portable electronic device, as shown and described.

DESCRIPTION

This application is related to co-pending U.S. patent application (application Ser. No. 13/294,577), entitled "Holder for Tablet Personal Computer". Such application has the same assignee as the present application. The above-identified application is incorporated herein by reference.

FIG. 1 is a perspective view of a support for a portable electronic device showing our new design; FIG. 2 is a front elevational view thereof; FIG. 3 is a rear elevational view thereof; FIG. 4 is a left side elevational view thereof; FIG. 5 is a right side elevational view thereof; FIG. 6 is a top plan view thereof; FIG. 7 is a bottom plan view thereof; and, FIG. 8 is a perspective view of using of the support for a portable electronic device of FIG. 1, but shown in an alternate folded position.

1 Claim, 8 Drawing Sheets



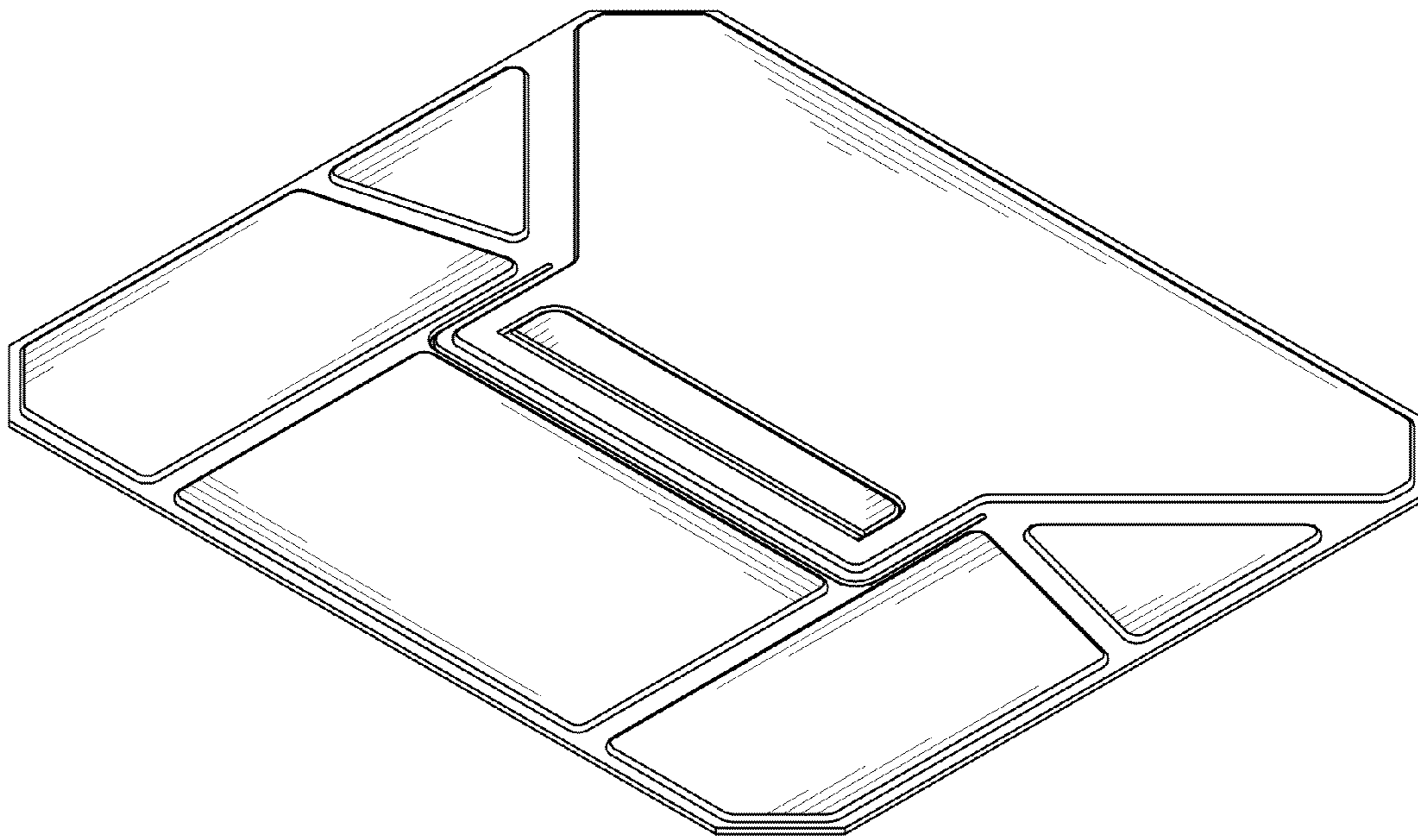


FIG. 1

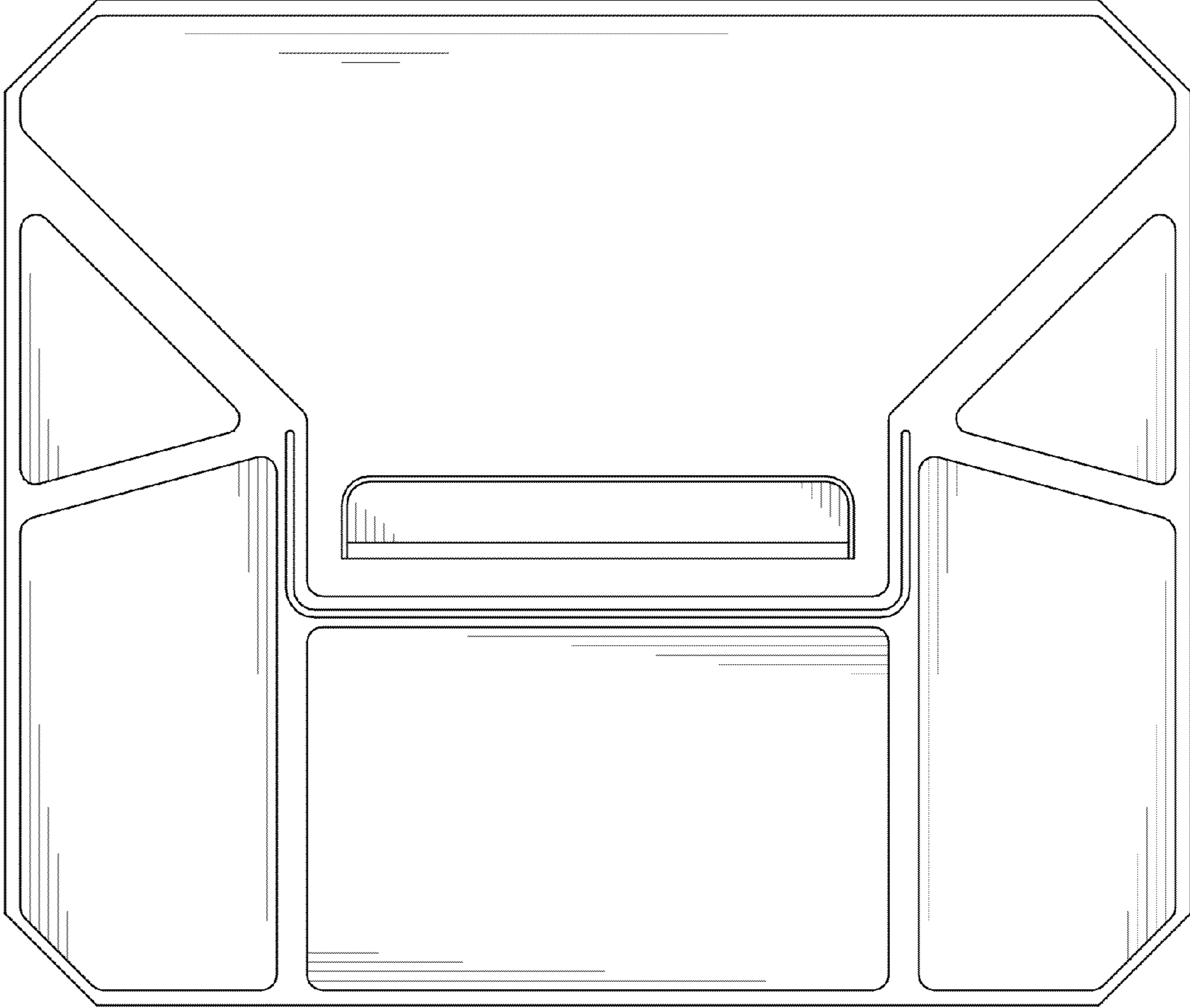


FIG. 2

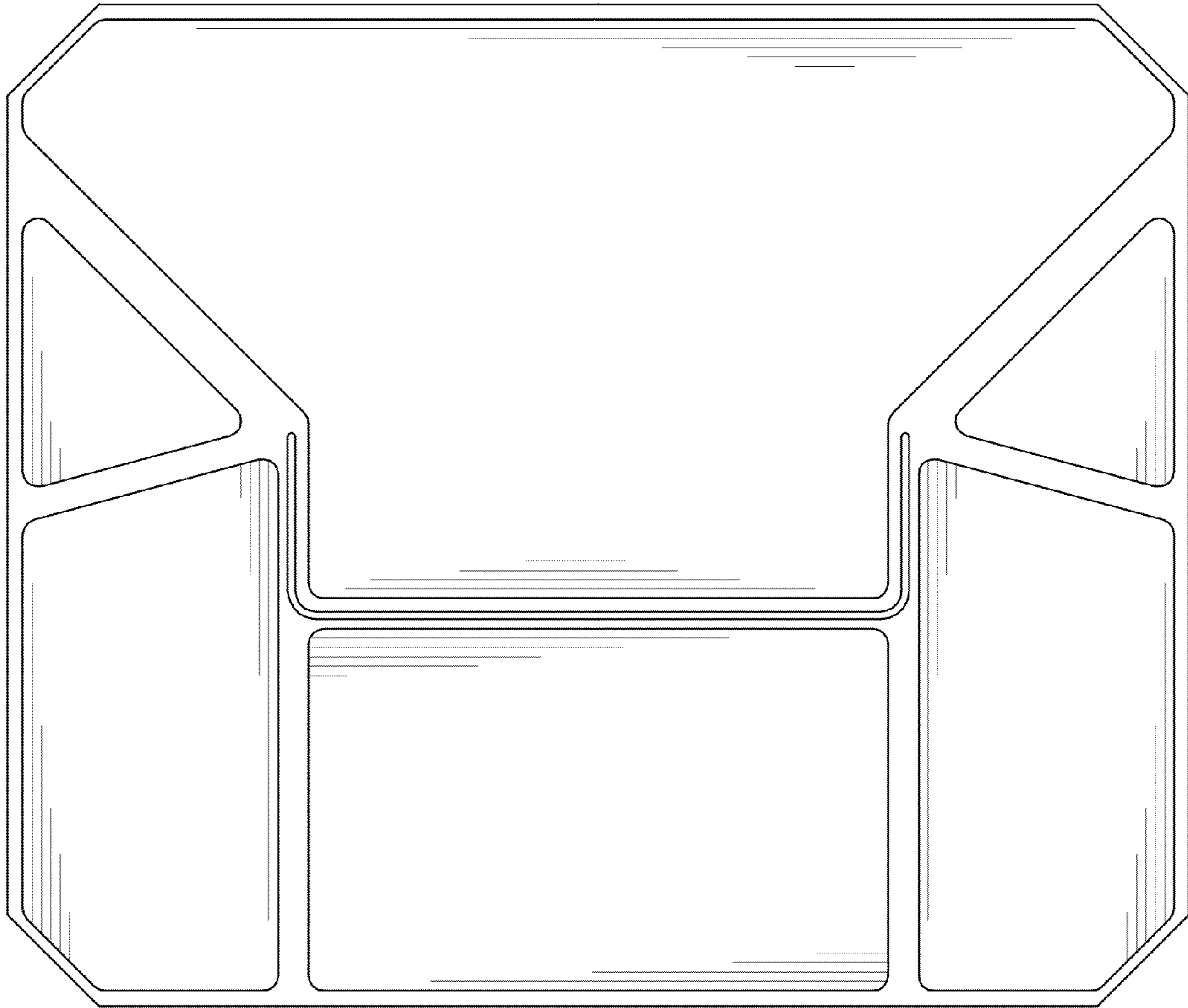


FIG. 3



FIG. 4



FIG. 5

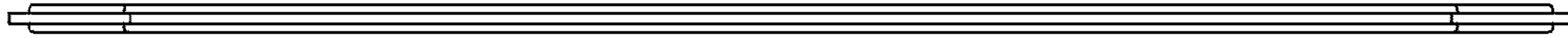


FIG. 6

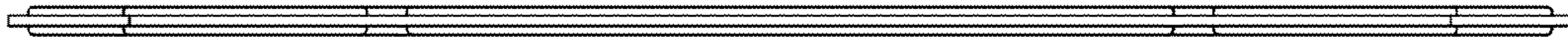


FIG. 7

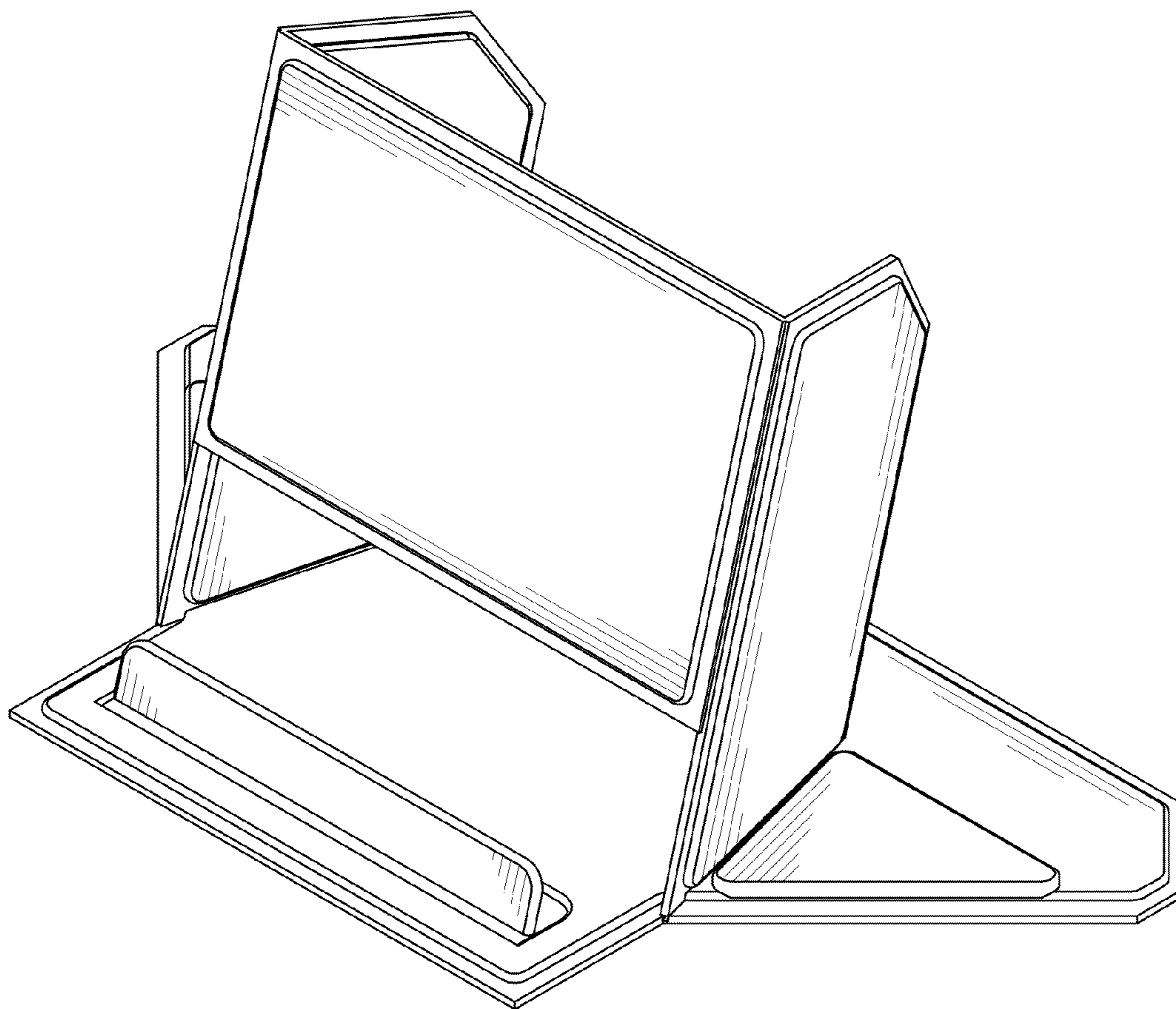


FIG. 8