



US00D674392S

(12) **United States Design Patent**  
**Cheng et al.**

(10) **Patent No.:** **US D674,392 S**

(45) **Date of Patent:** **\*\* Jan. 15, 2013**

(54) **DEVICE DOCK**

*Primary Examiner* — Freda S Nunn

(75) Inventors: **Yu-Yin Cheng**, Beijing (CN); **Ruben D Castano**, Glenview, IL (US); **Fu-Yuan Hsu**, Beijing (CN); **Ed Pan**, Beijing (CN)

(57) **CLAIM**  
The ornamental design for a device dock, as shown and described.

(73) Assignee: **Motorola Mobility LLC**, Libertyville, IL (US)

**DESCRIPTION**

(\*\*) Term: **14 Years**

(21) Appl. No.: **29/410,773**

(22) Filed: **Jan. 12, 2012**

(51) **LOC (9) Cl.** ..... **14-02**

(52) **U.S. Cl.** ..... **D14/434**

(58) **Field of Classification Search** ..... D14/432-434, D14/314, 204, 420, 421, 447, 217, 358, 138 R, D14/140, 142; D13/107, 108, 146; D8/373; 248/346.03, 176.1; 361/679.41, 679.31, 361/679.32, 679.4, 679.43, 679.55, 679.58, 361/679.33; 320/109, 112-115; 710/15, 710/303; 455/557; 439/347, 534  
See application file for complete search history.

FIG. 1 is a front perspective view of a first embodiment of an ornamental design for a device dock;  
FIG. 2 is a top perspective view of the first embodiment thereof;  
FIG. 3 is a rear perspective view of the first embodiment thereof;  
FIG. 4 is a top view of the first embodiment thereof;  
FIG. 5 is a bottom view of the first embodiment thereof;  
FIG. 6 is a first side view of the first embodiment thereof;  
FIG. 7 is a second side view of the first embodiment thereof;  
FIG. 8 is a rear view of the first embodiment thereof; and  
FIG. 9 is a front view of the first embodiment thereof.  
FIG. 10 is a front perspective view of a second embodiment of an ornamental design for a device dock;  
FIG. 11 is a top perspective view of the second embodiment thereof;  
FIG. 12 is a rear perspective view of the second embodiment thereof;  
FIG. 13 is a top view of the second embodiment thereof;  
FIG. 14 is a bottom view of the second embodiment thereof;  
FIG. 15 is a first side view of the second embodiment thereof;  
FIG. 16 is a second side view of the second embodiment thereof;  
FIG. 17 is a rear view of the second embodiment thereof; and,  
FIG. 18 is a front view of the second embodiment thereof.  
Broken lines shown in the drawings of FIGS. 1-9 illustrate portions of the device dock, and form no part of the claimed design.

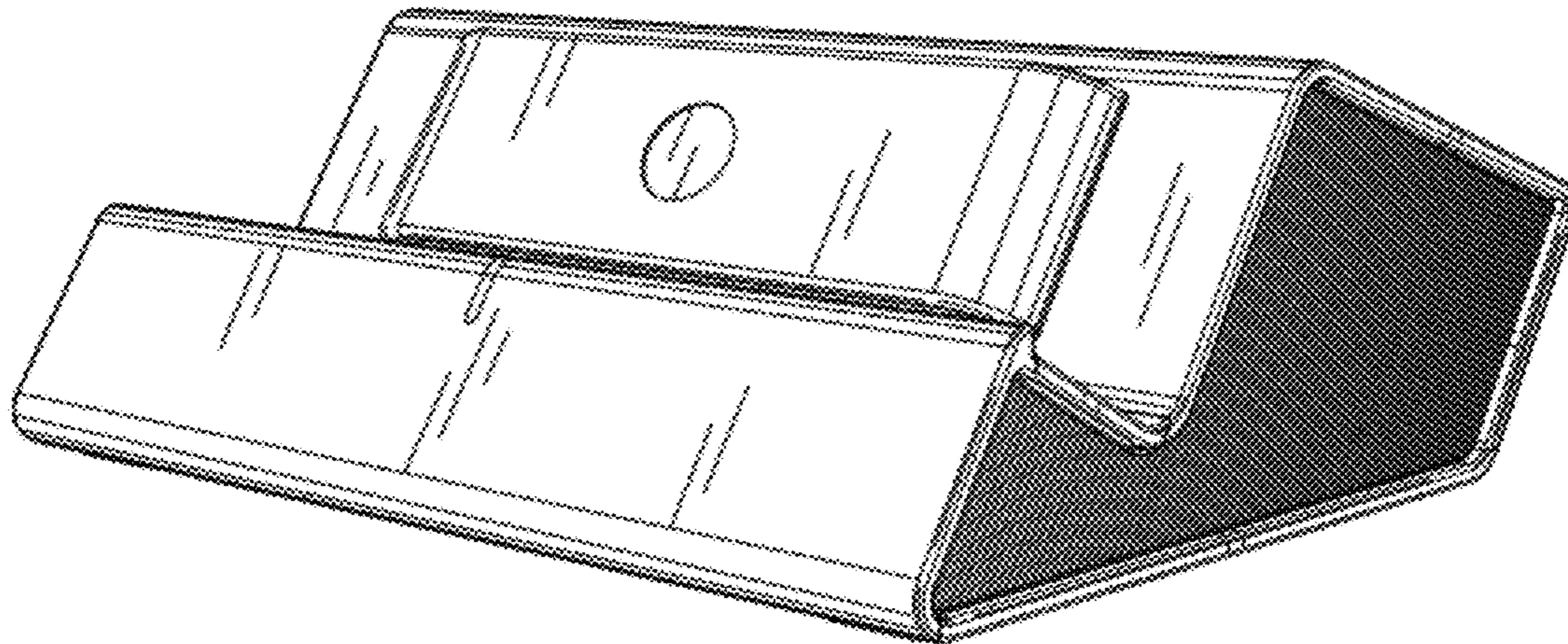
(56) **References Cited**

**U.S. PATENT DOCUMENTS**

5,052,943	A *	10/1991	Davis	439/357
D368,704	S *	4/1996	Tanaka	D14/434
5,619,397	A *	4/1997	Honda et al.	361/679.43
5,933,812	A *	8/1999	Meyer et al.	705/15
D442,141	S *	5/2001	Ikenaga	D13/107
D520,013	S *	5/2006	Yang	D14/434
D540,802	S *	4/2007	Hussaini et al.	D14/434
D647,525	S *	10/2011	Seto	D14/434
2008/0219488	A1 *	9/2008	Crooijmans et al.	381/333

\* cited by examiner

**1 Claim, 14 Drawing Sheets**



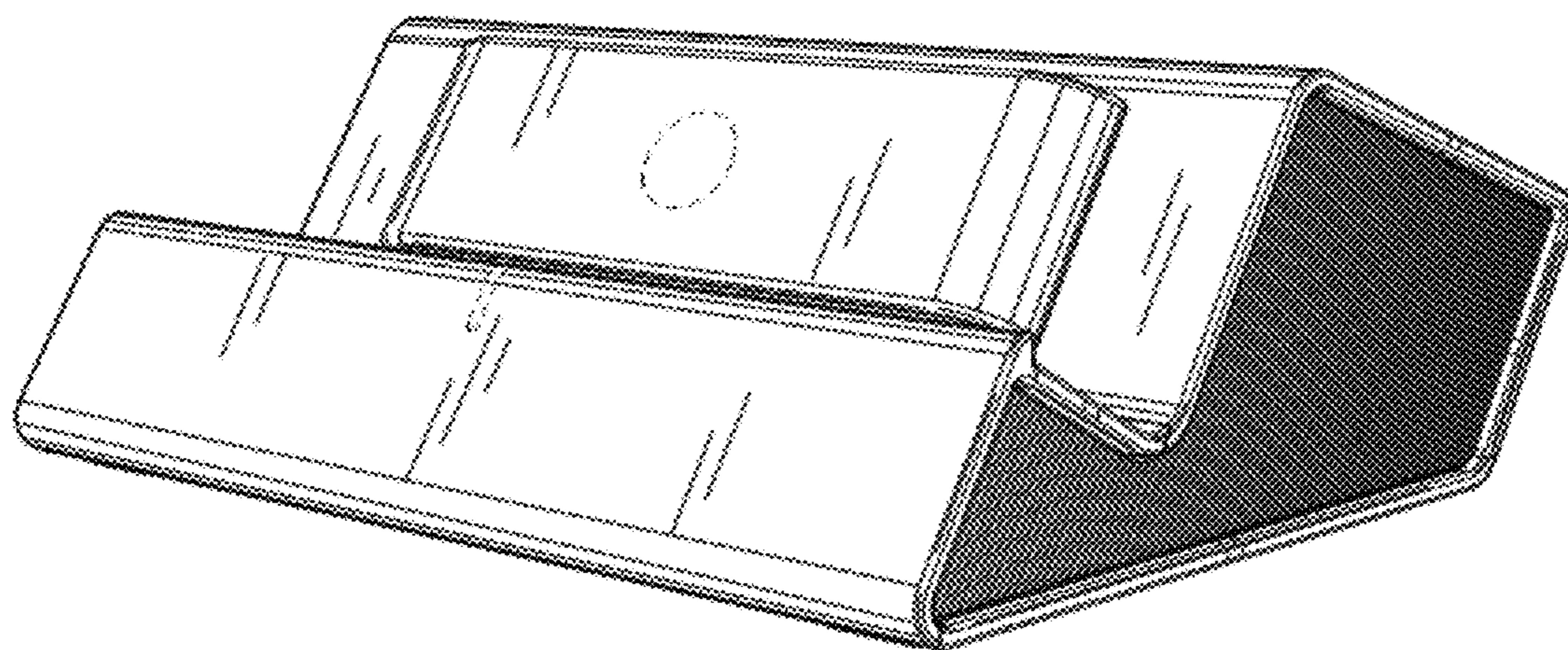


FIG. 1

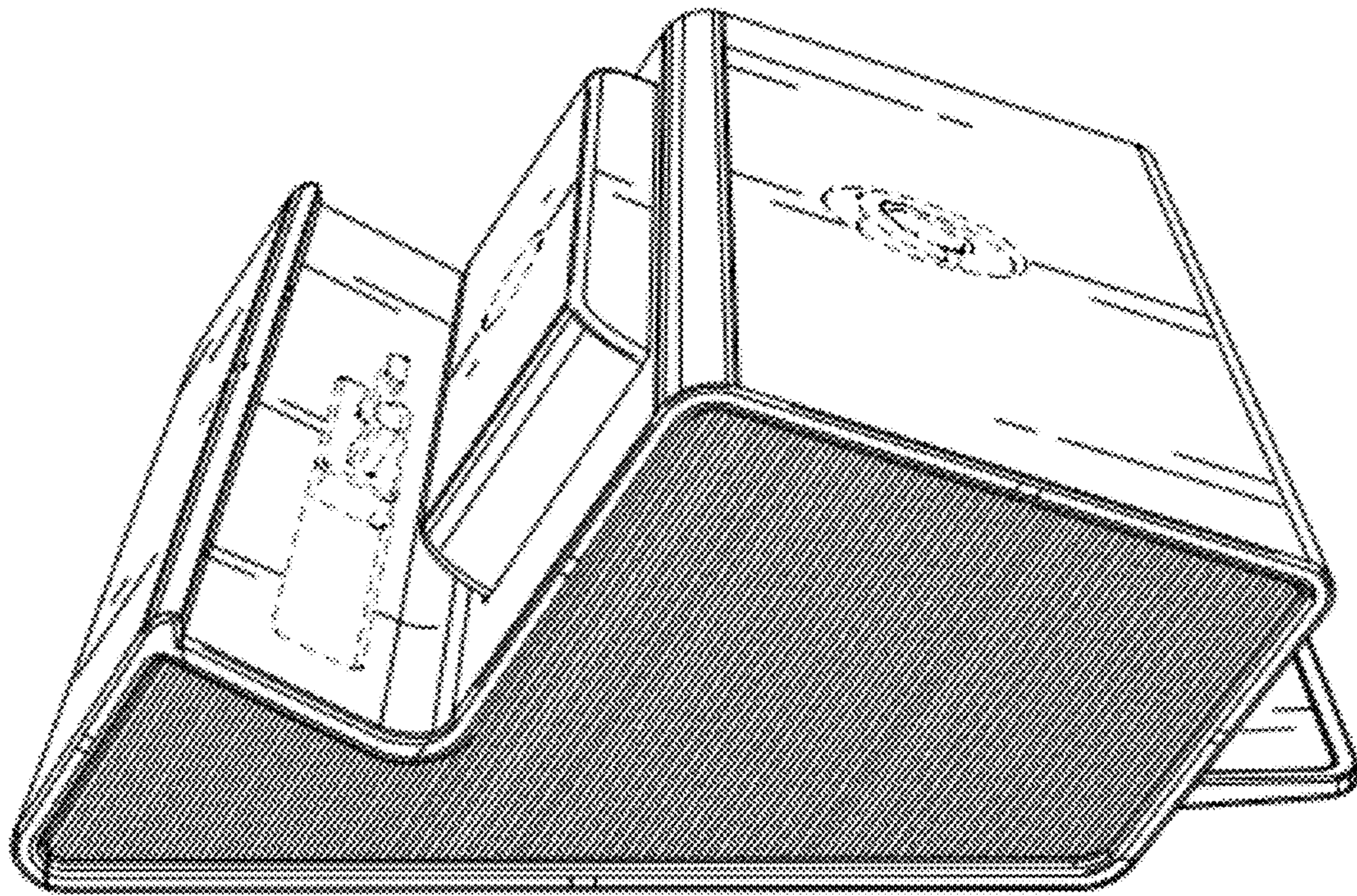


FIG. 2

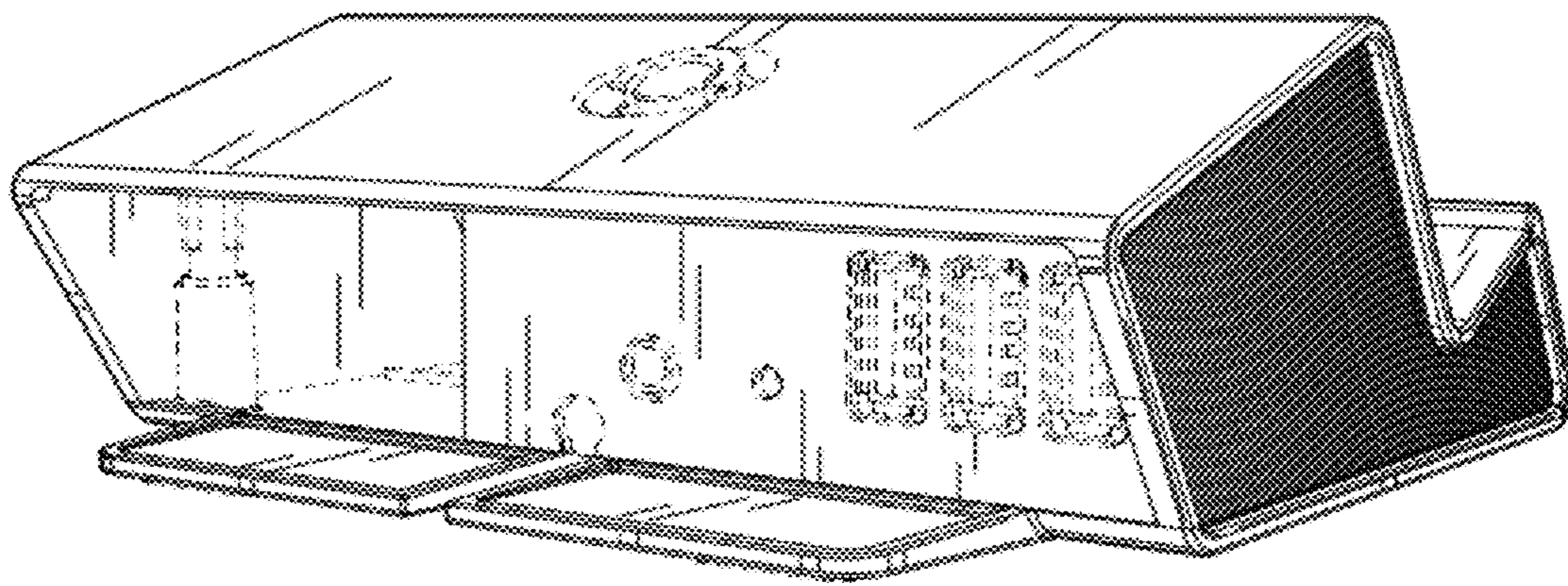


FIG. 3

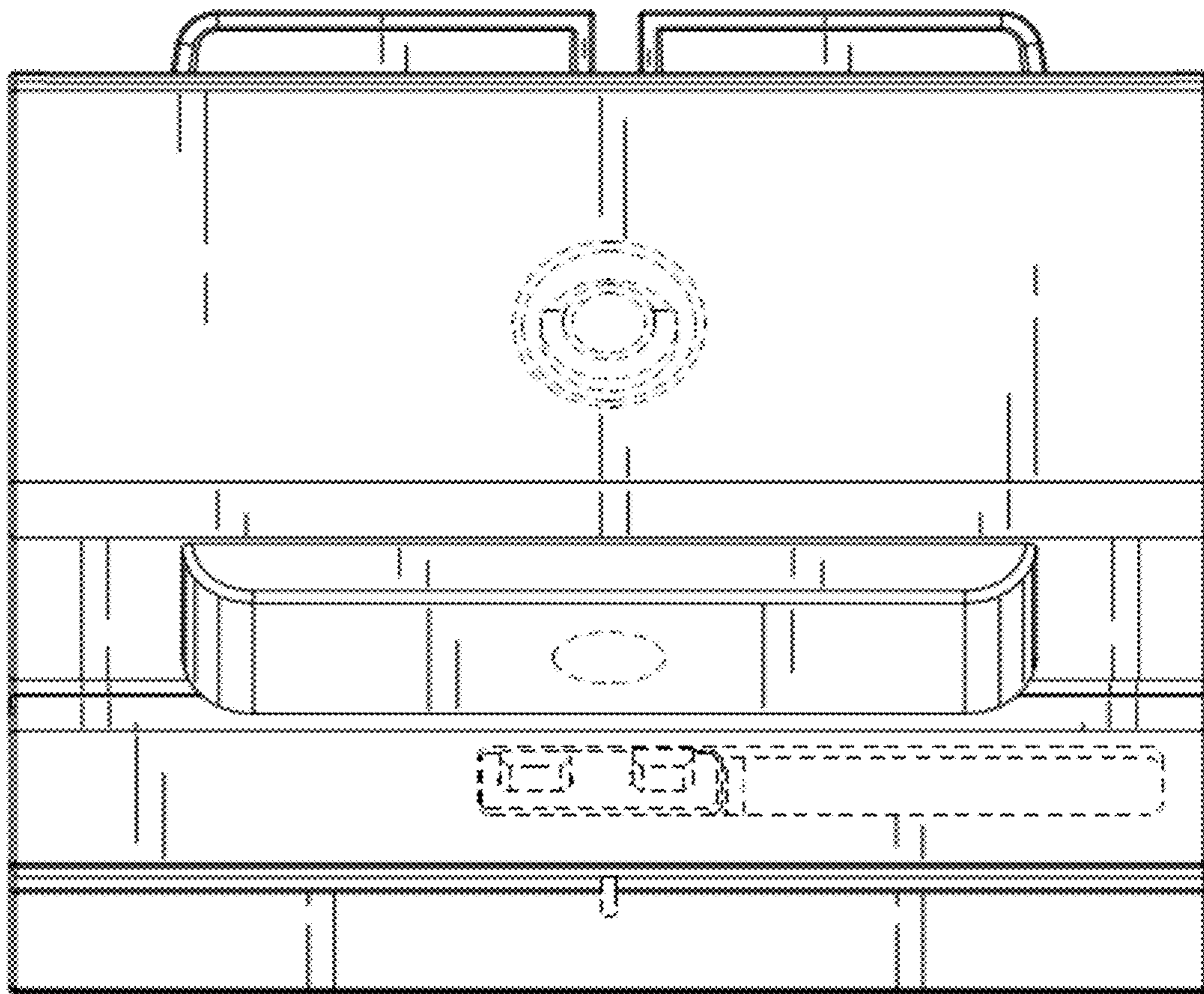


FIG. 4

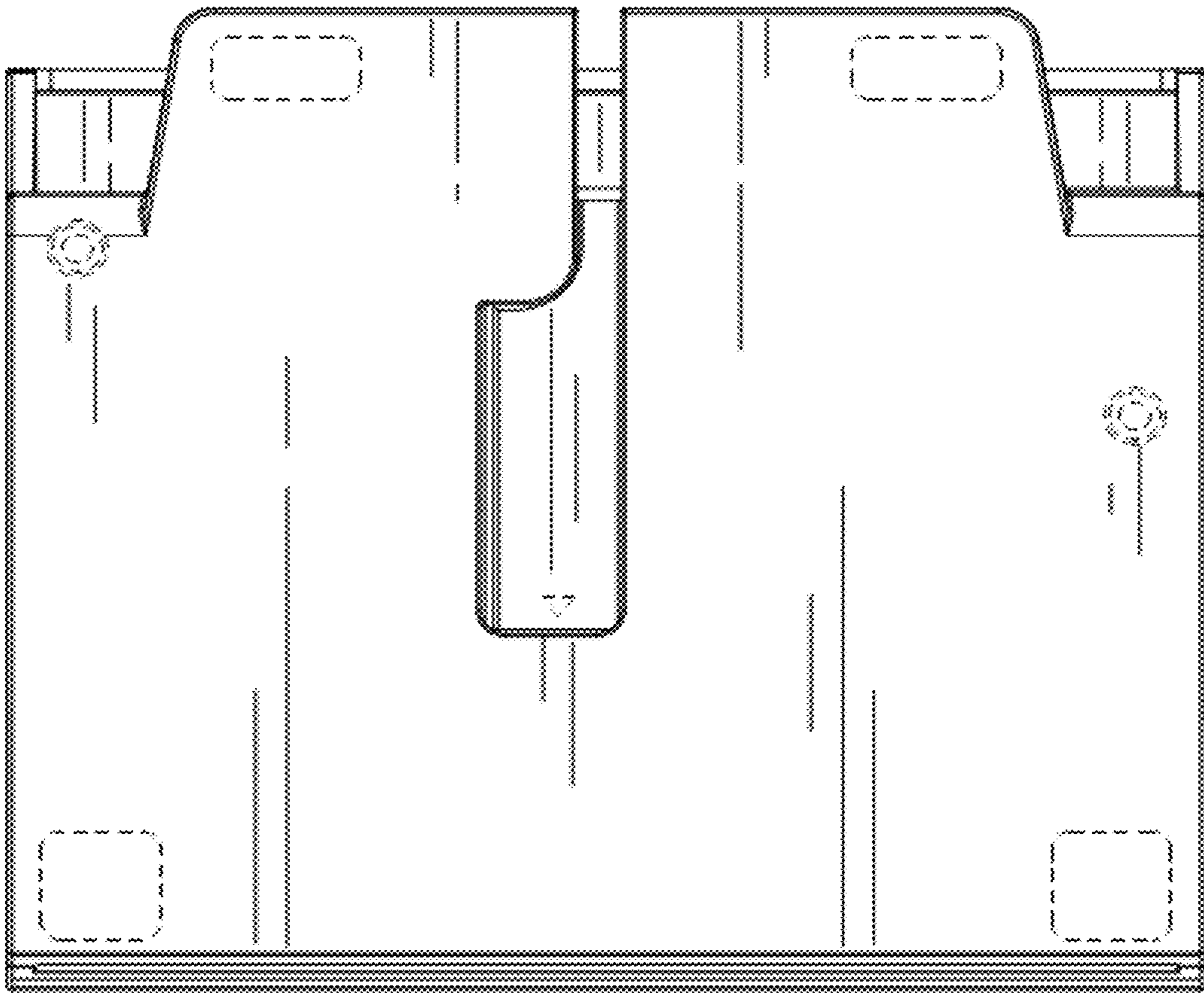


FIG. 5

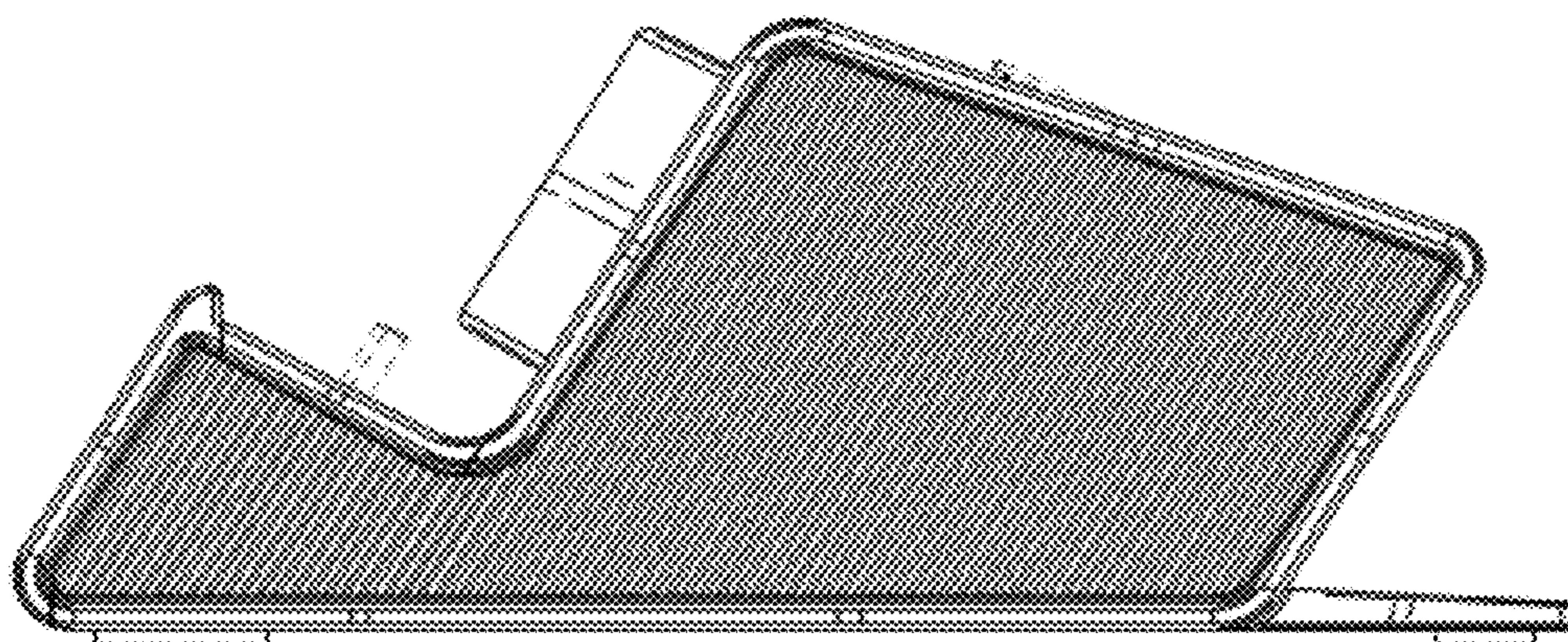


FIG. 6

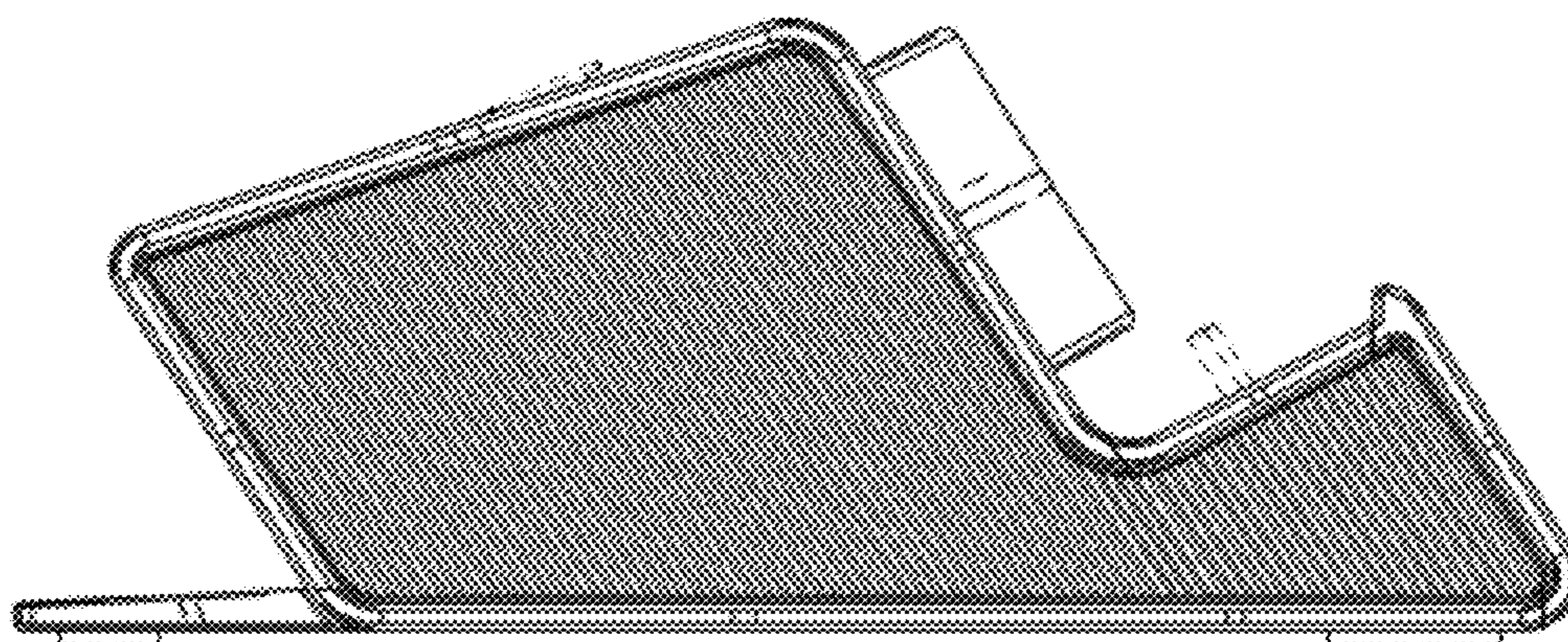


FIG. 7

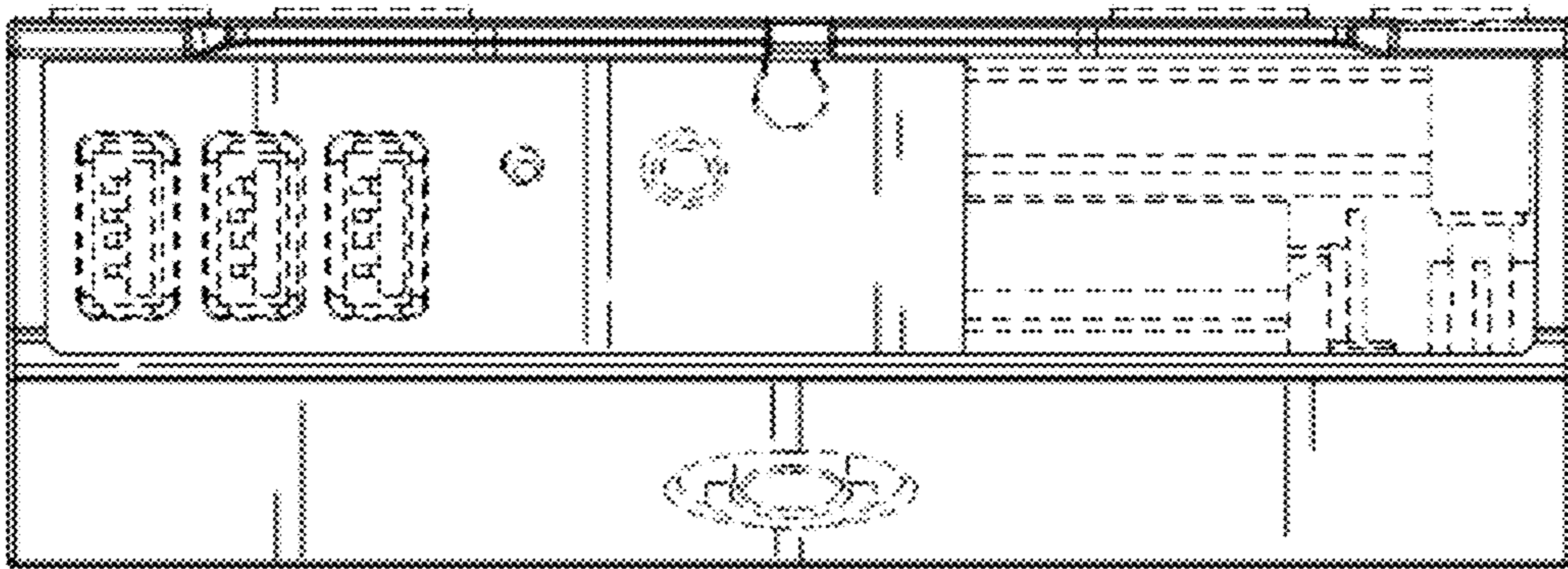


FIG. 8

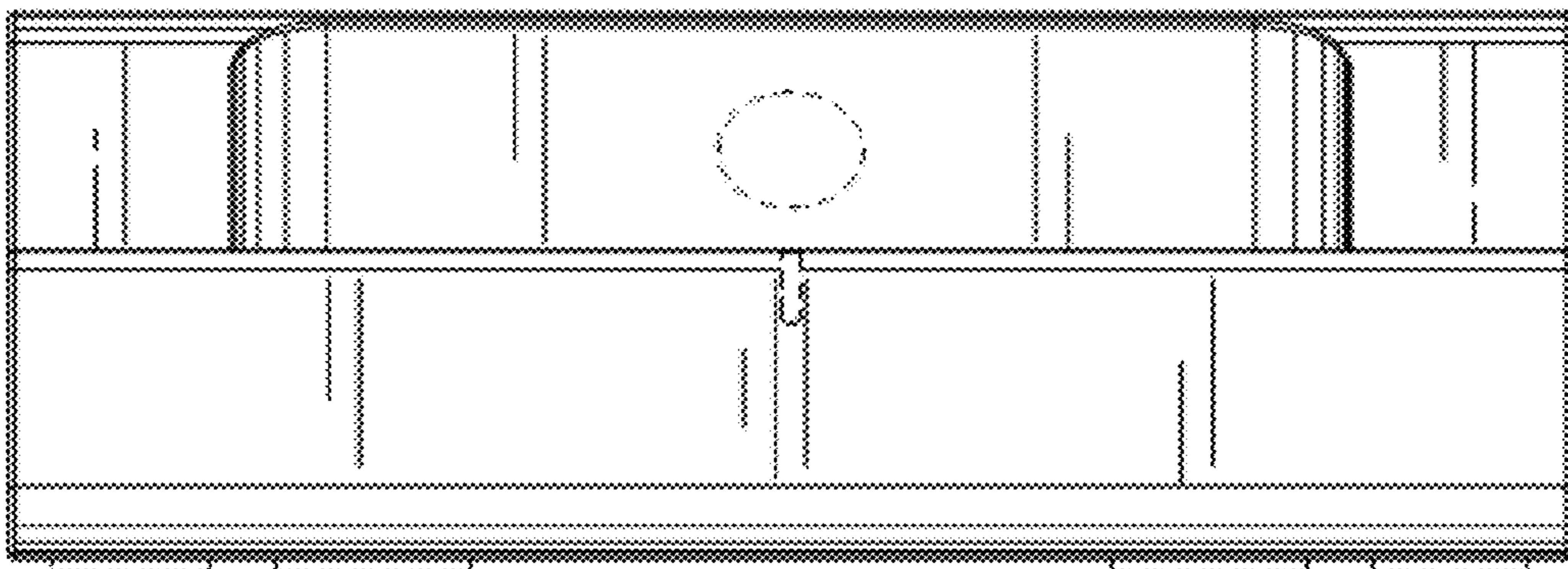


FIG. 9



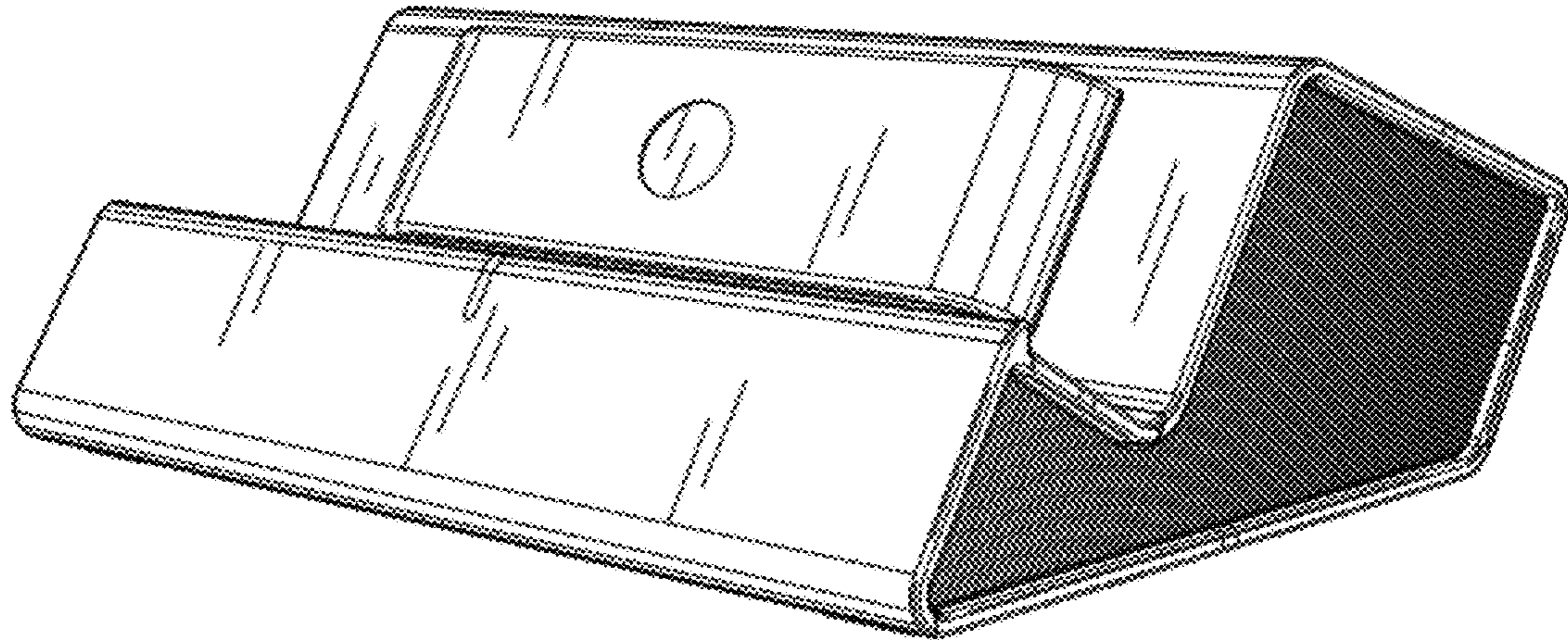


FIG. 10

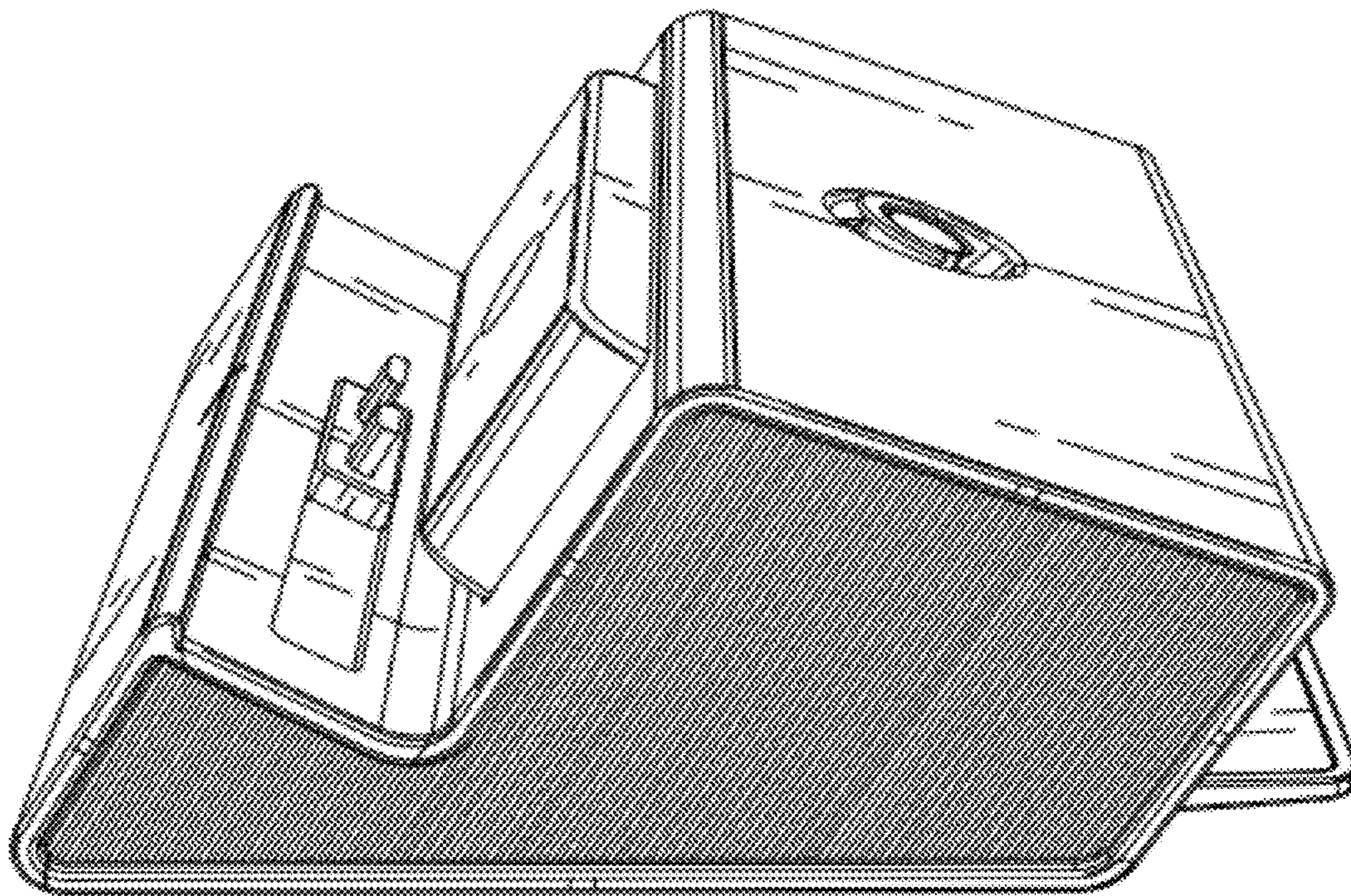


FIG. 11

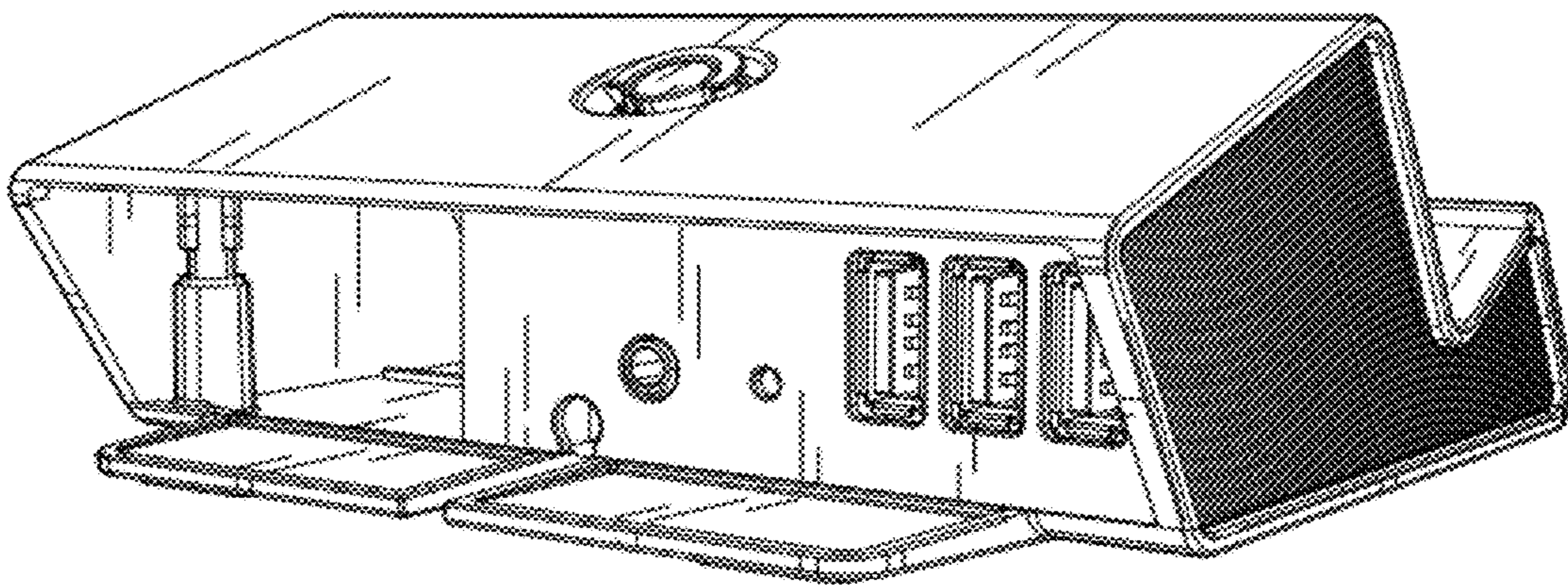


FIG. 12

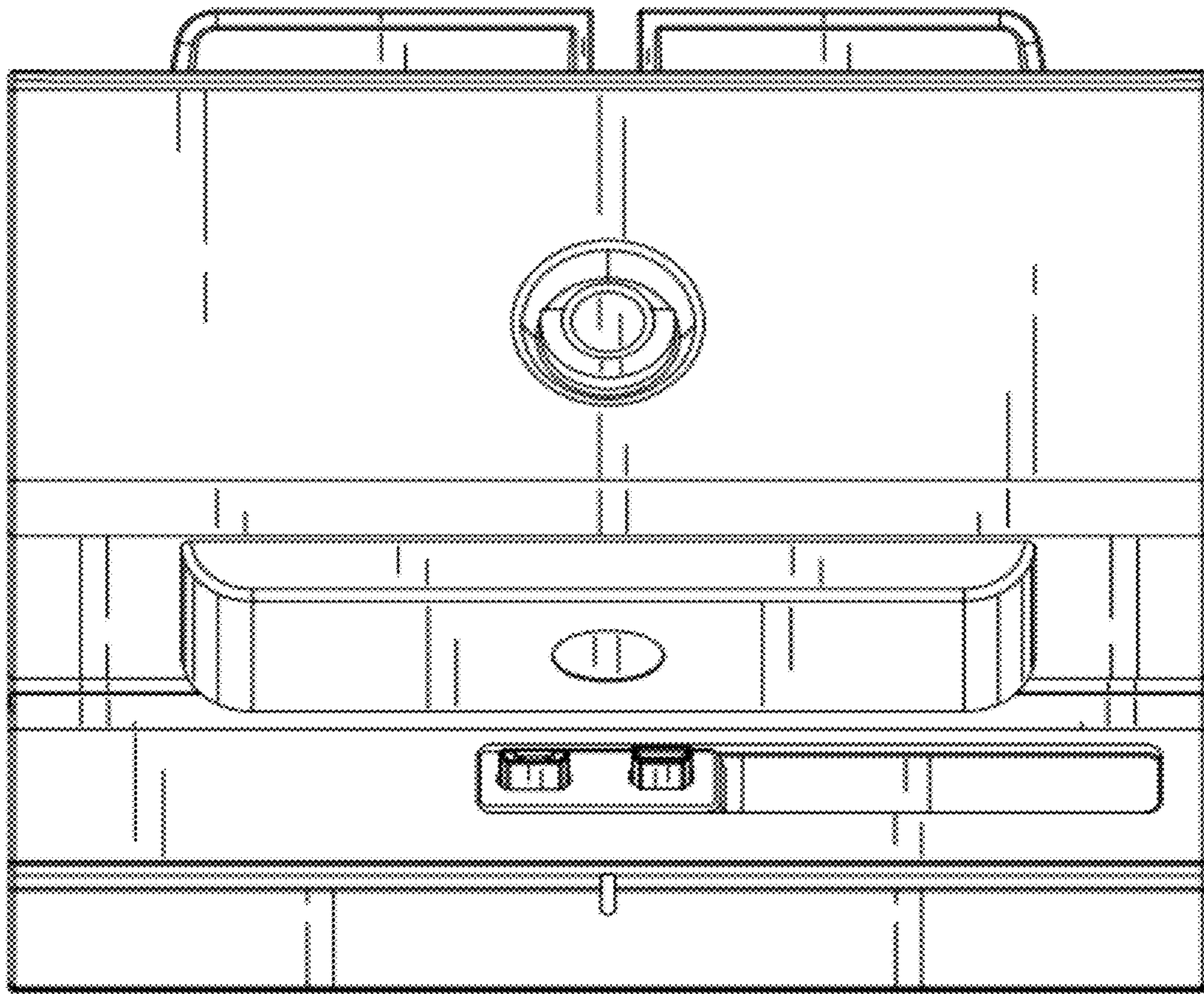


FIG. 13

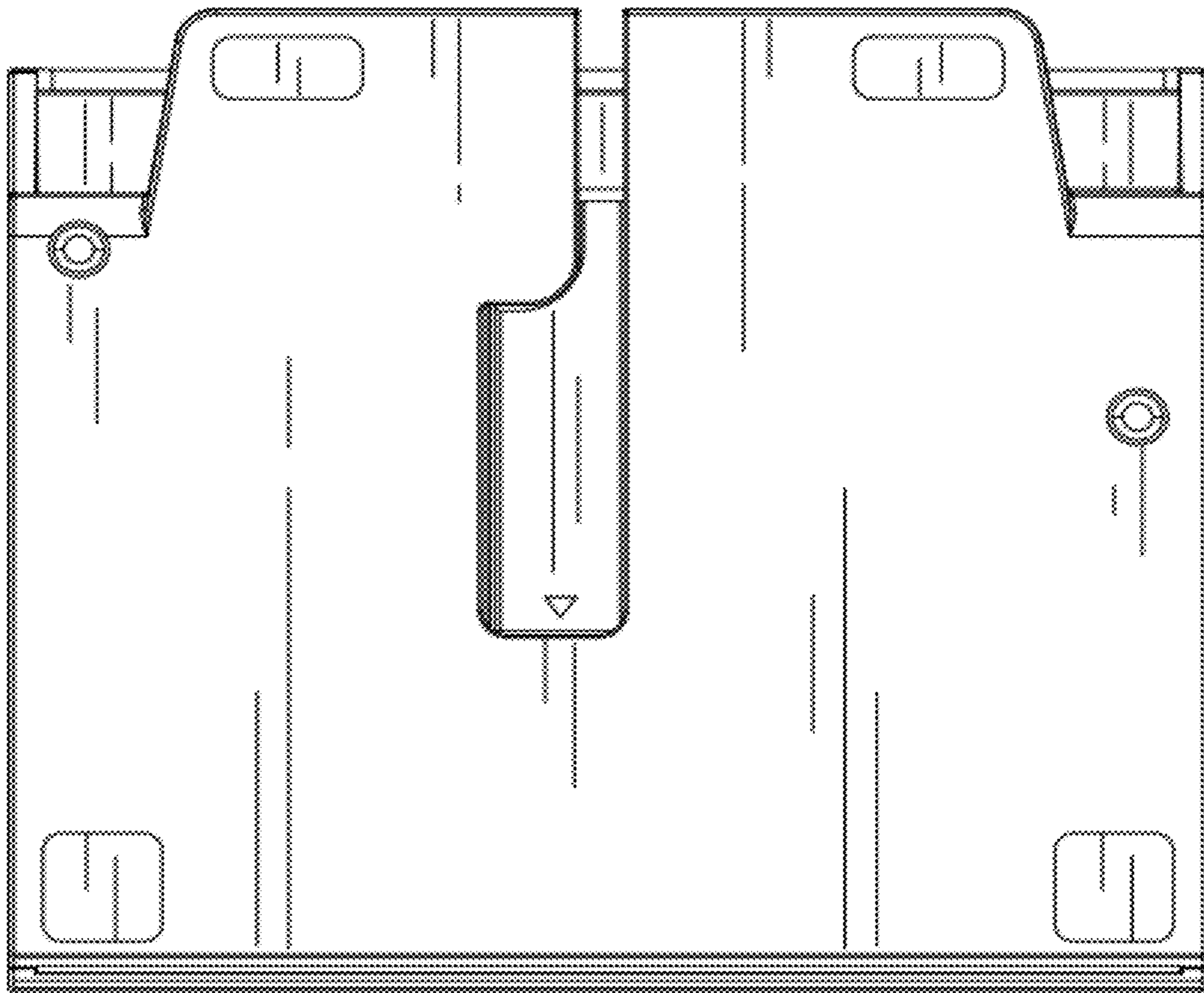


FIG. 14

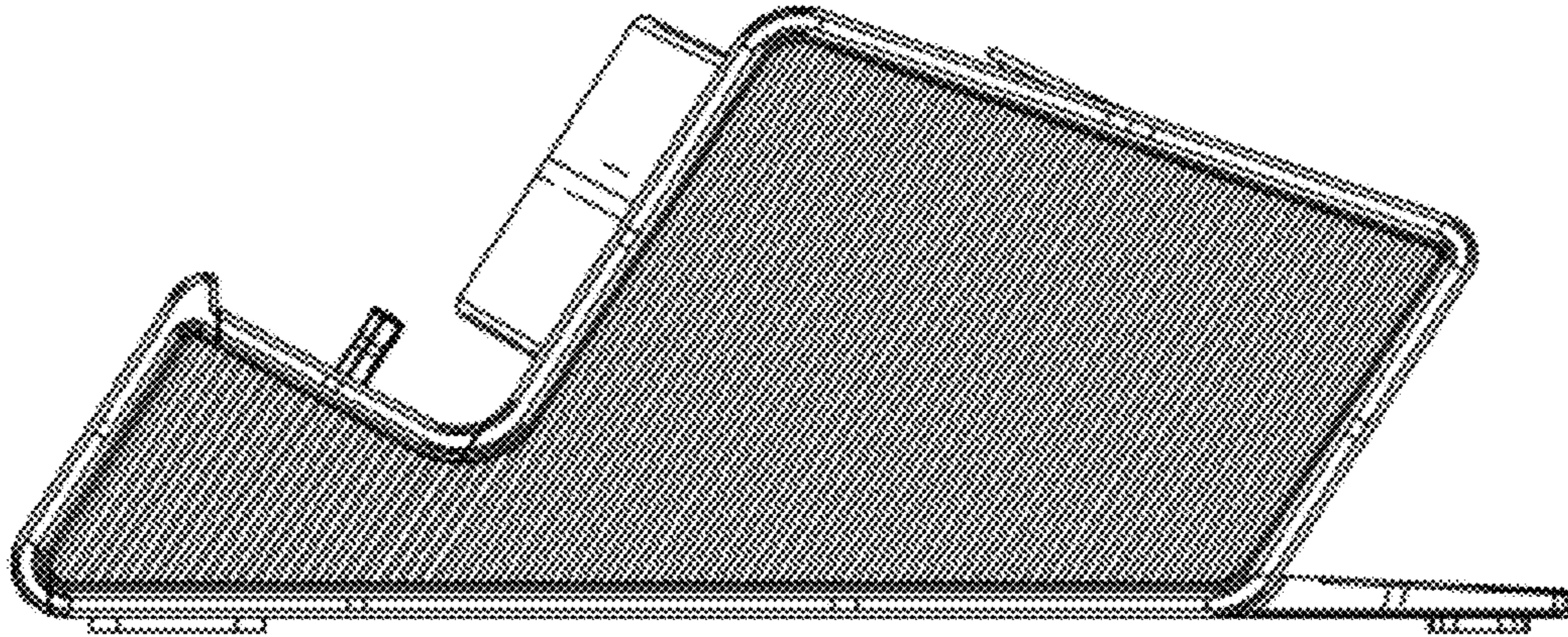


FIG. 15

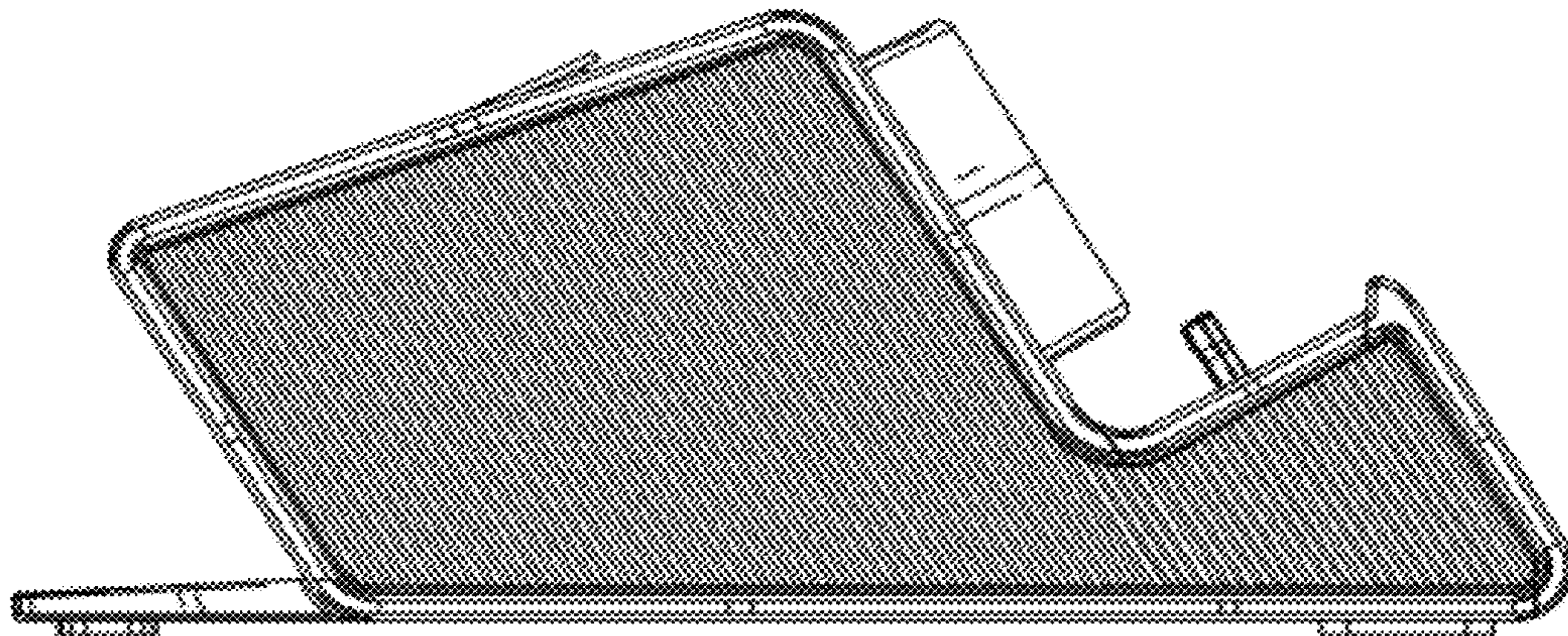


FIG. 16

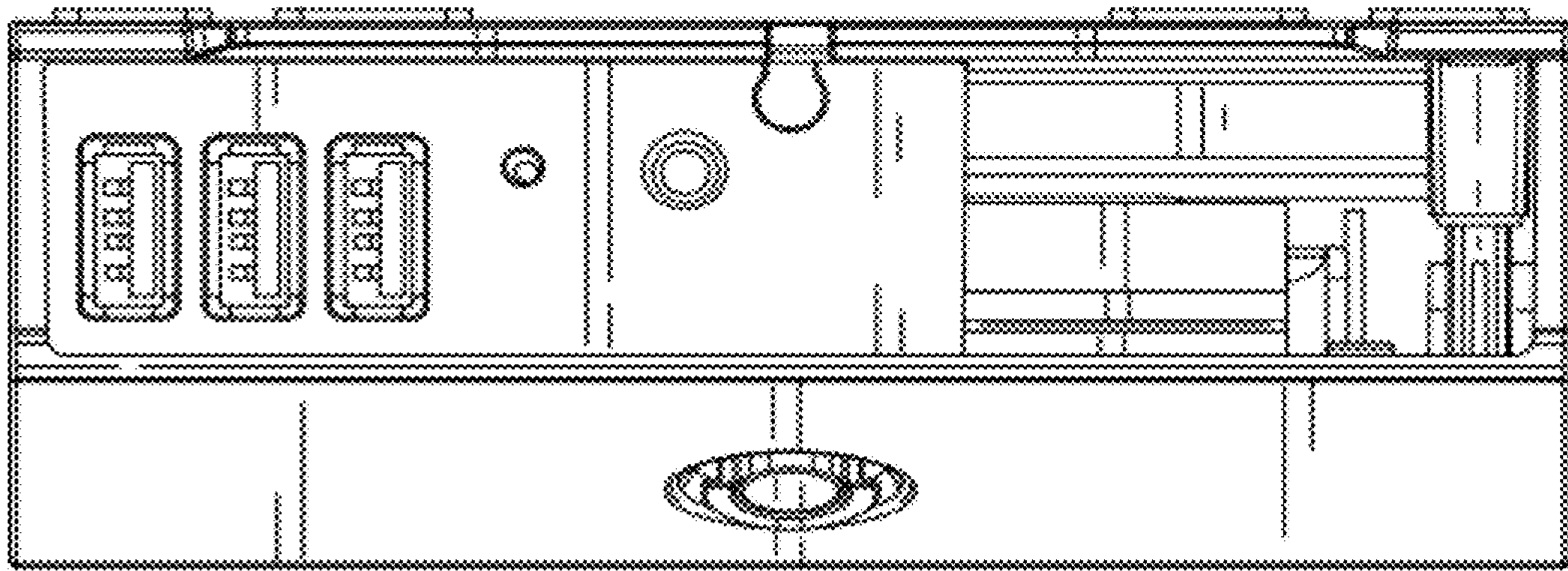


FIG. 17

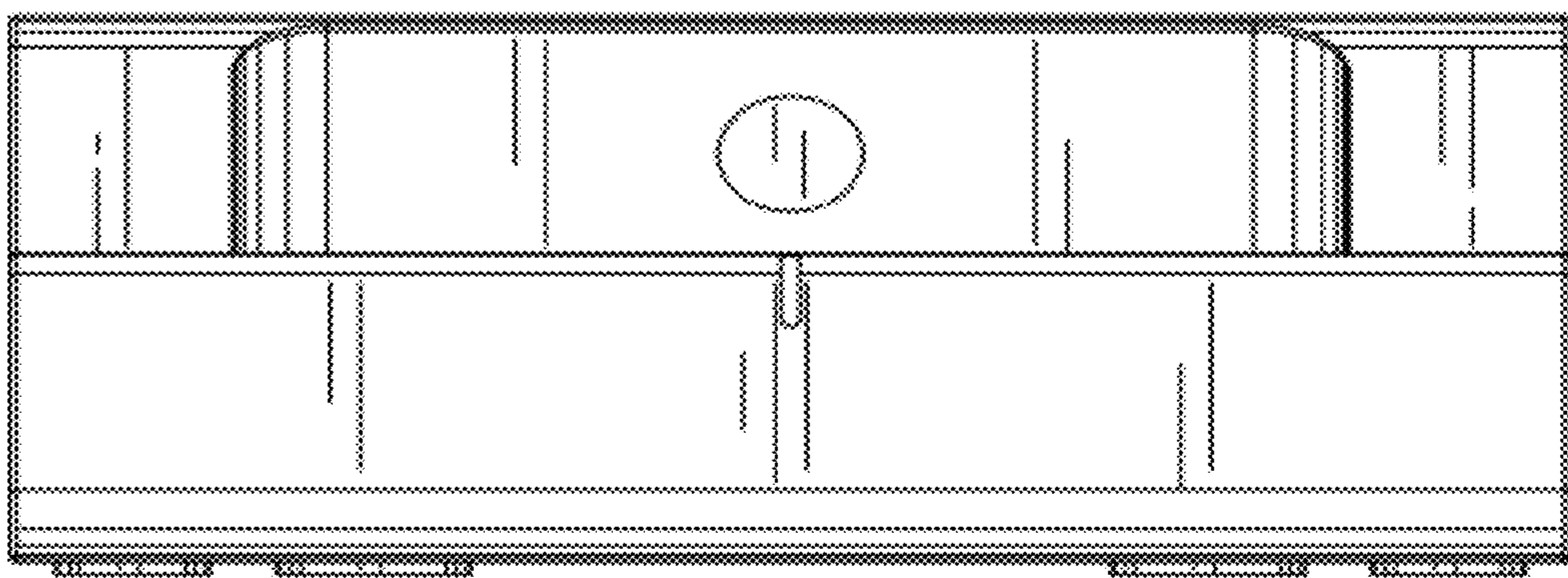


FIG. 18