



US00D674391S

(12) **United States Design Patent**  
**Chatterjee et al.**

(10) **Patent No.:** **US D674,391 S**  
(45) **Date of Patent:** **\*\* Jan. 15, 2013**

(54) **DOCKING STATION FOR A COMPUTING DEVICE**

(75) Inventors: **Manjirnath Chatterjee**, San Francisco, CA (US); **Yoshimichi Matsuoka**, Cupertino, CA (US); **Peter Cazalet**, Campbell, CA (US); **William Justin Grange**, San Francisco, CA (US)

(73) Assignee: **Hewlett-Packard Development Company, L.P.**, Houston, TX (US)

(\*\*) Term: **14 Years**

(21) Appl. No.: **29/402,095**

(22) Filed: **Sep. 20, 2011**

**Related U.S. Application Data**

(63) Continuation-in-part of application No. 12/620,478, filed on Nov. 17, 2009.

(51) **LOC (9) Cl.** ..... **14-02**

(52) **U.S. Cl.** ..... **D14/434**

(58) **Field of Classification Search** ..... D14/204, D14/217, 314, 358, 420, 421, 447, 432-434; D13/107, 108, 118, 146; 248/176.1, 34.03; 320/109, 112-115; 361/679.4, 679.31-679.33, 361/679.41, 679.43, 679.55; 710/15, 303; 455/556.1-556.2, 557

See application file for complete search history.

(56) **References Cited**

**U.S. PATENT DOCUMENTS**

D366,470	S	*	1/1996	Youens et al.	.....	D14/434
D448,385	S	*	9/2001	Oross et al.	.....	D14/434
6,667,881	B2	*	12/2003	Oross et al.	.....	361/679.4
D641,367	S	*	7/2011	Morabito	.....	D14/434

\* cited by examiner

*Primary Examiner* — Freda S Nunn

(74) *Attorney, Agent, or Firm* — Mahamedi Paradise Kreisman LLP; Van Mahamedi

(57) **CLAIM**

The ornamental design for a docking station for a computing device, as shown and described.

**DESCRIPTION**

FIG. 1 is a perspective view of a docking station under a first embodiment;

FIG. 2 is a front view of a docking station under the first embodiment;

FIG. 3 is a rear view of a docking station under the first embodiment;

FIG. 4 is a top view of a docking station under the first embodiment;

FIG. 5 is a bottom view of a docking station under the first embodiment;

FIG. 6 is a right side view of a docking station under the first embodiment;

FIG. 7 is a left side view of a docking station under the first embodiment;

FIG. 8 is a perspective view of a docking station under a second embodiment;

FIG. 9 is a front view of a docking station under the second embodiment;

FIG. 10 is a rear view of a docking station under the second embodiment;

FIG. 11 is a top view of a docking station under the second embodiment;

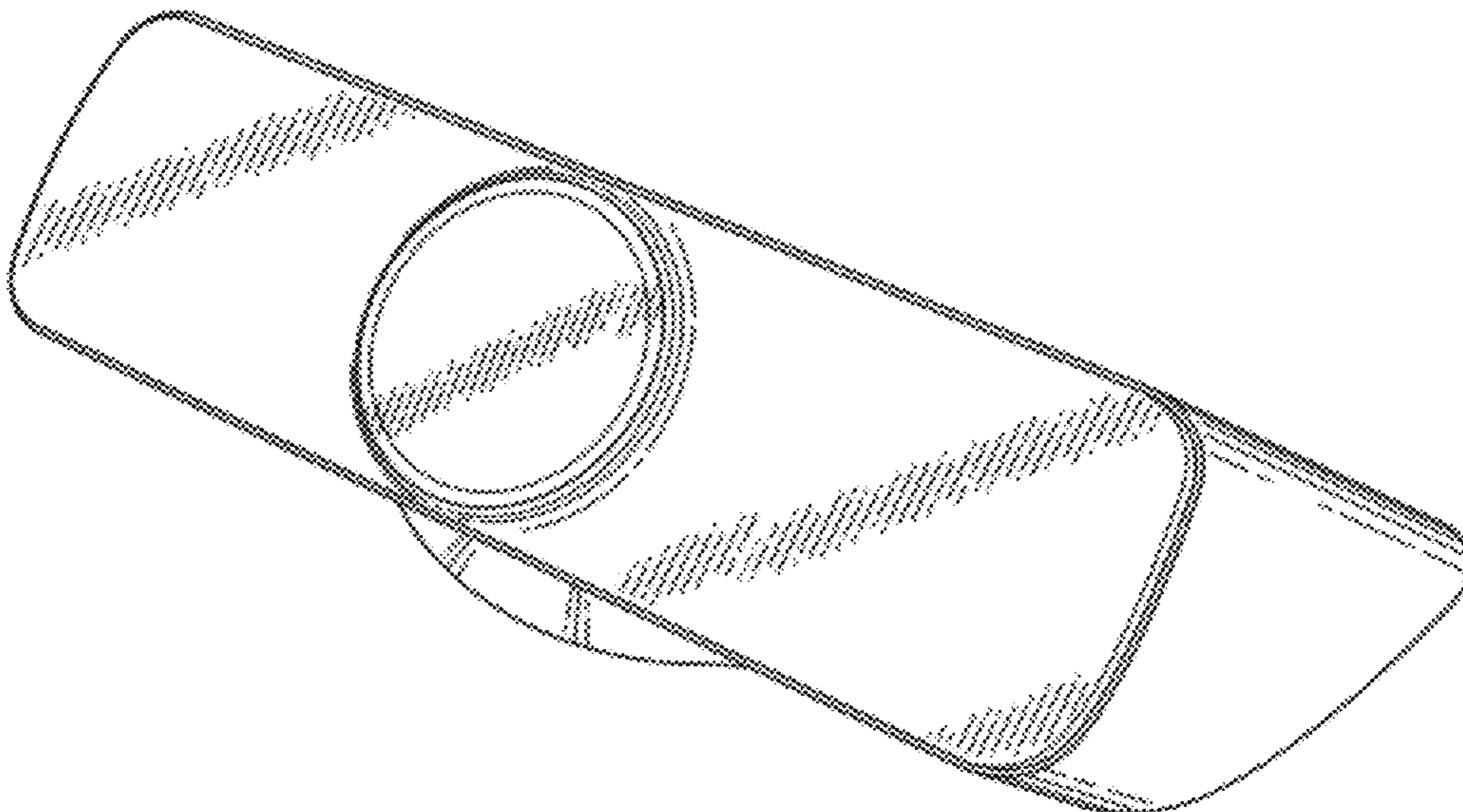
FIG. 12 is a bottom view of a docking station under the second embodiment;

FIG. 13 is a right side view of a docking station under the second embodiment; and,

FIG. 14 is a left side view of a docking station under the second embodiment.

The broken lines illustrate surface features and other features of the docking station, and form no part of the claimed design.

**1 Claim, 8 Drawing Sheets**



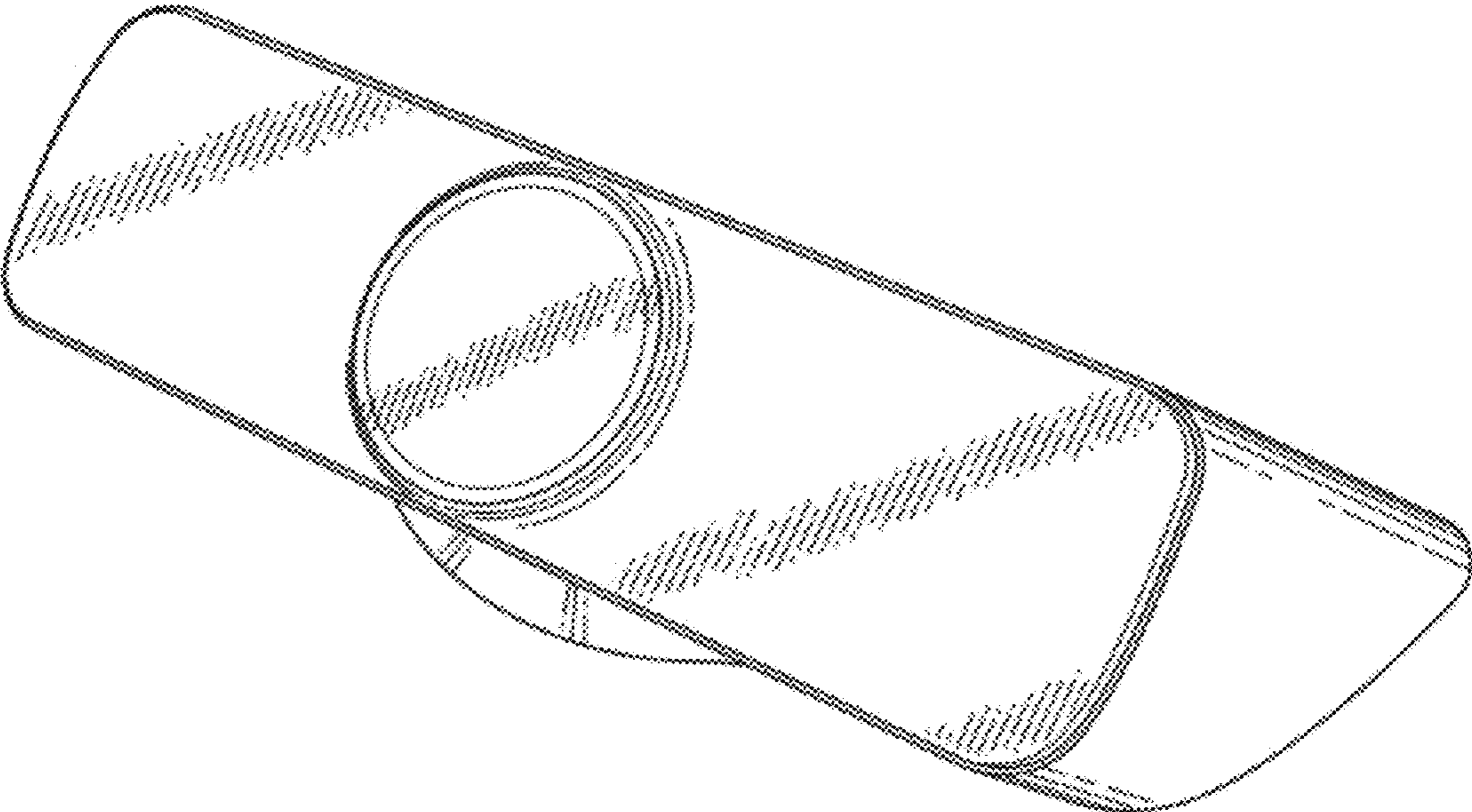


FIG. 1

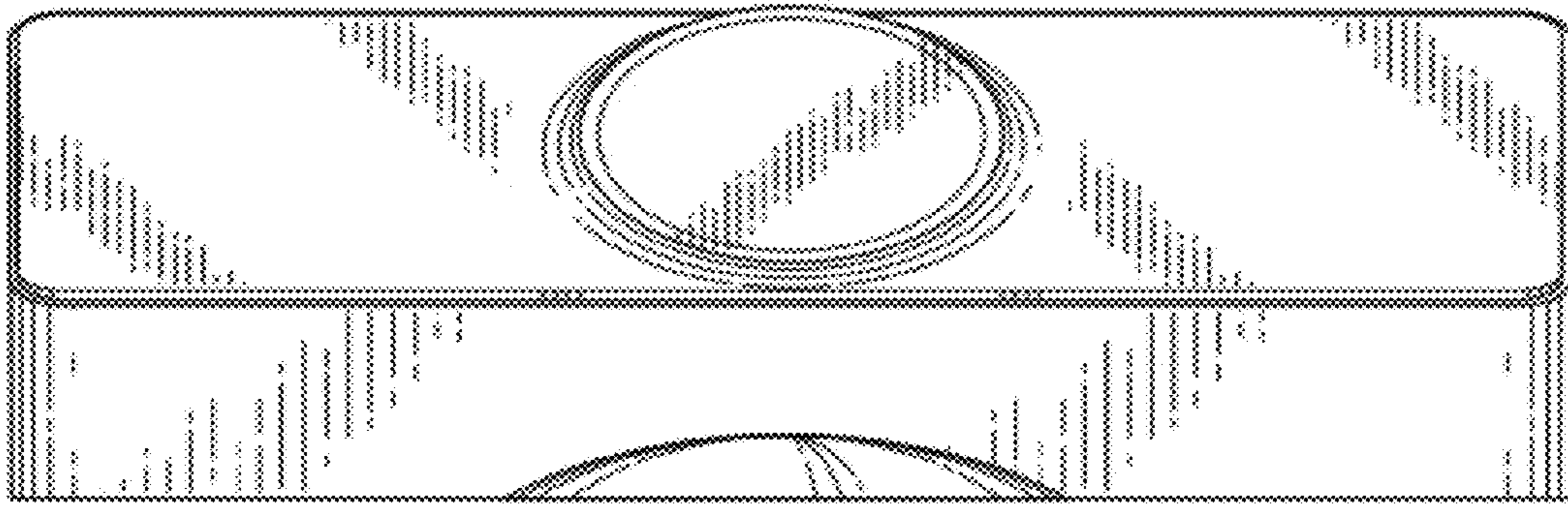


FIG. 2

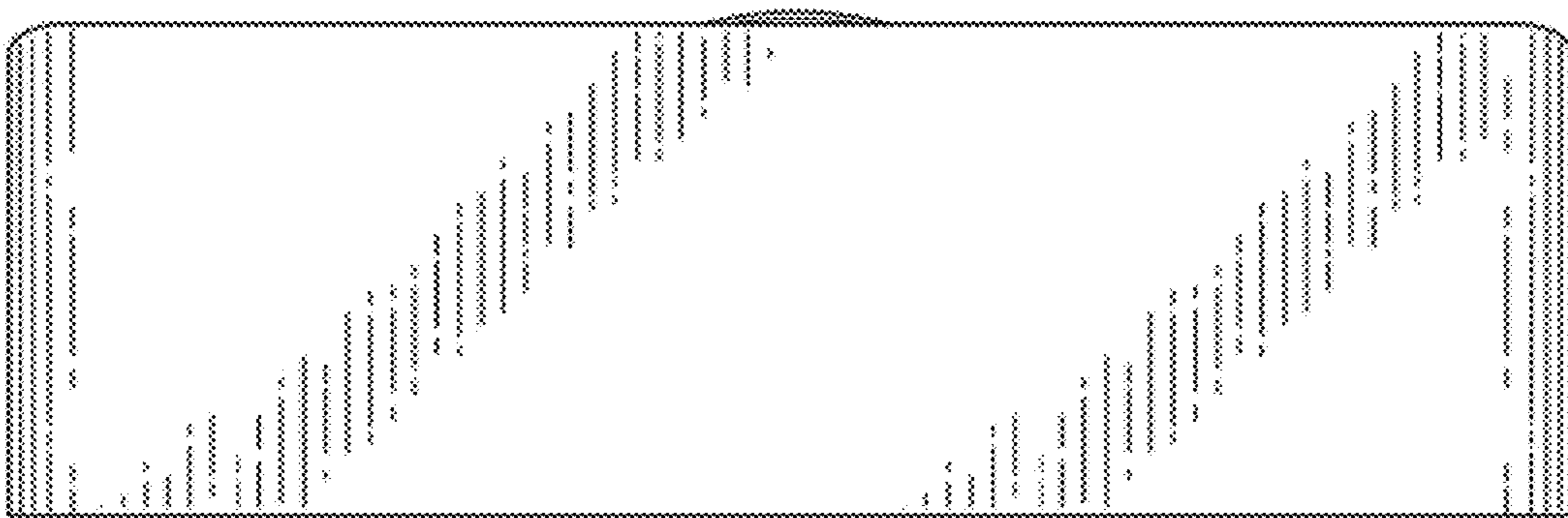


FIG. 3

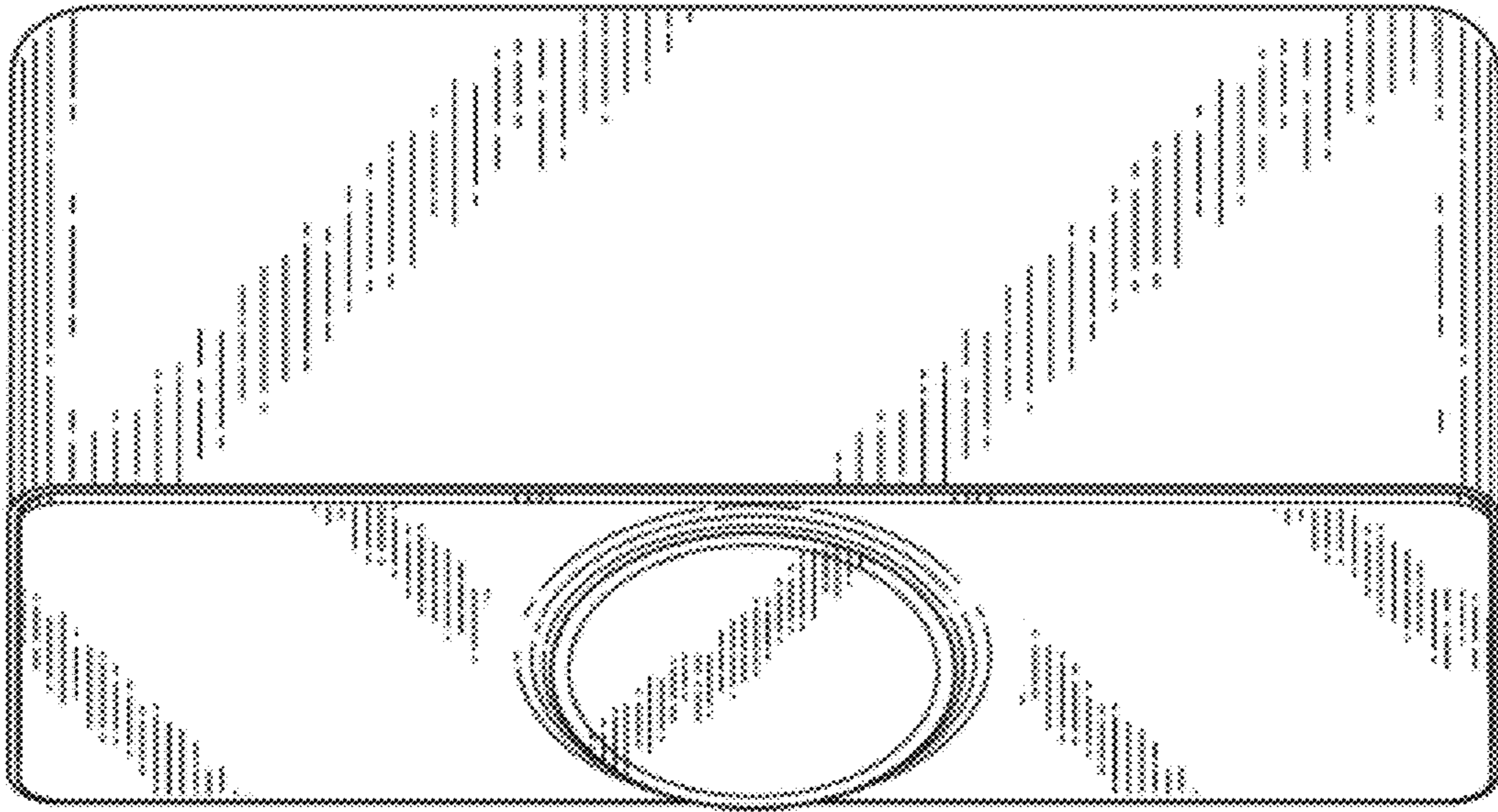


FIG. 4

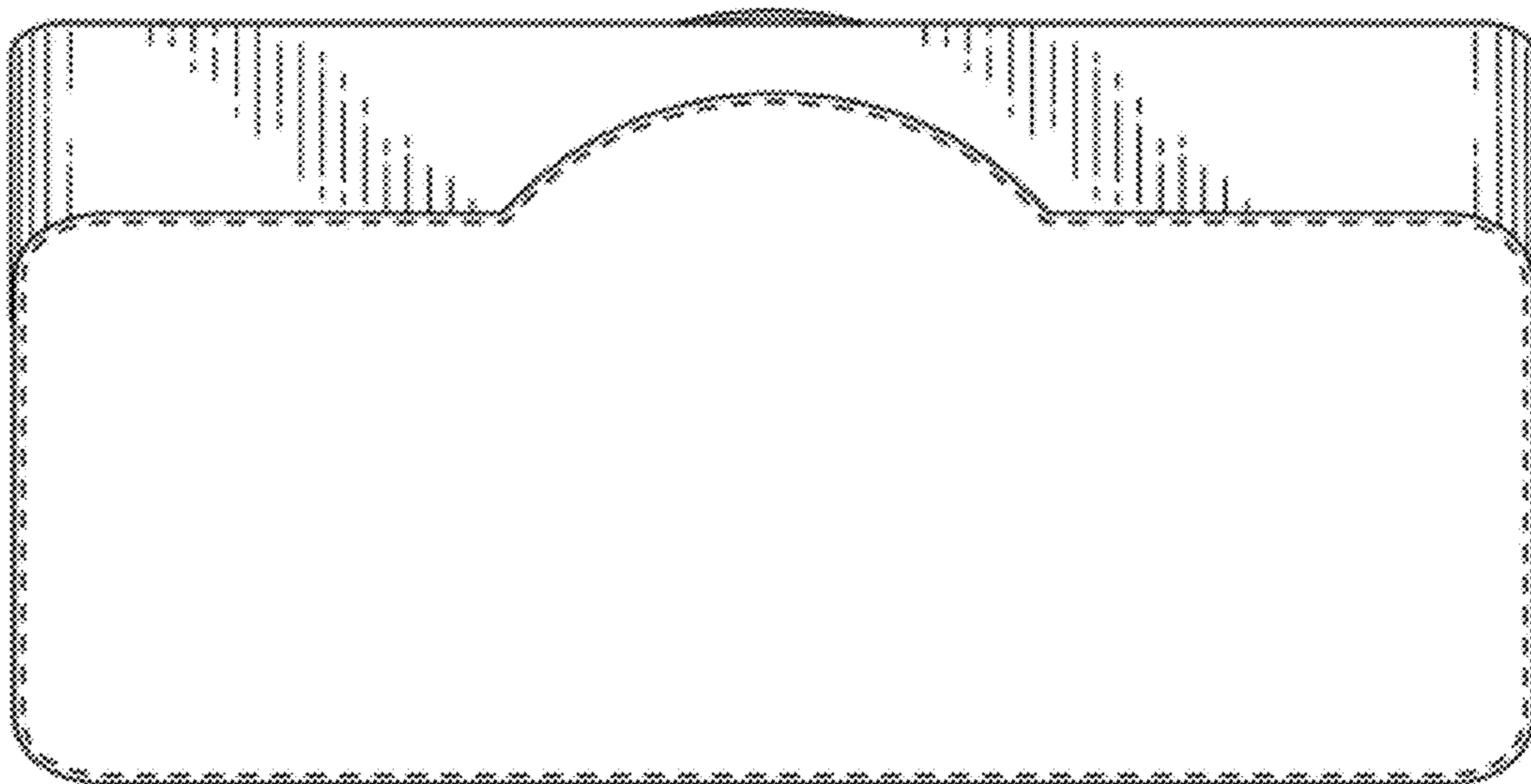


FIG. 5

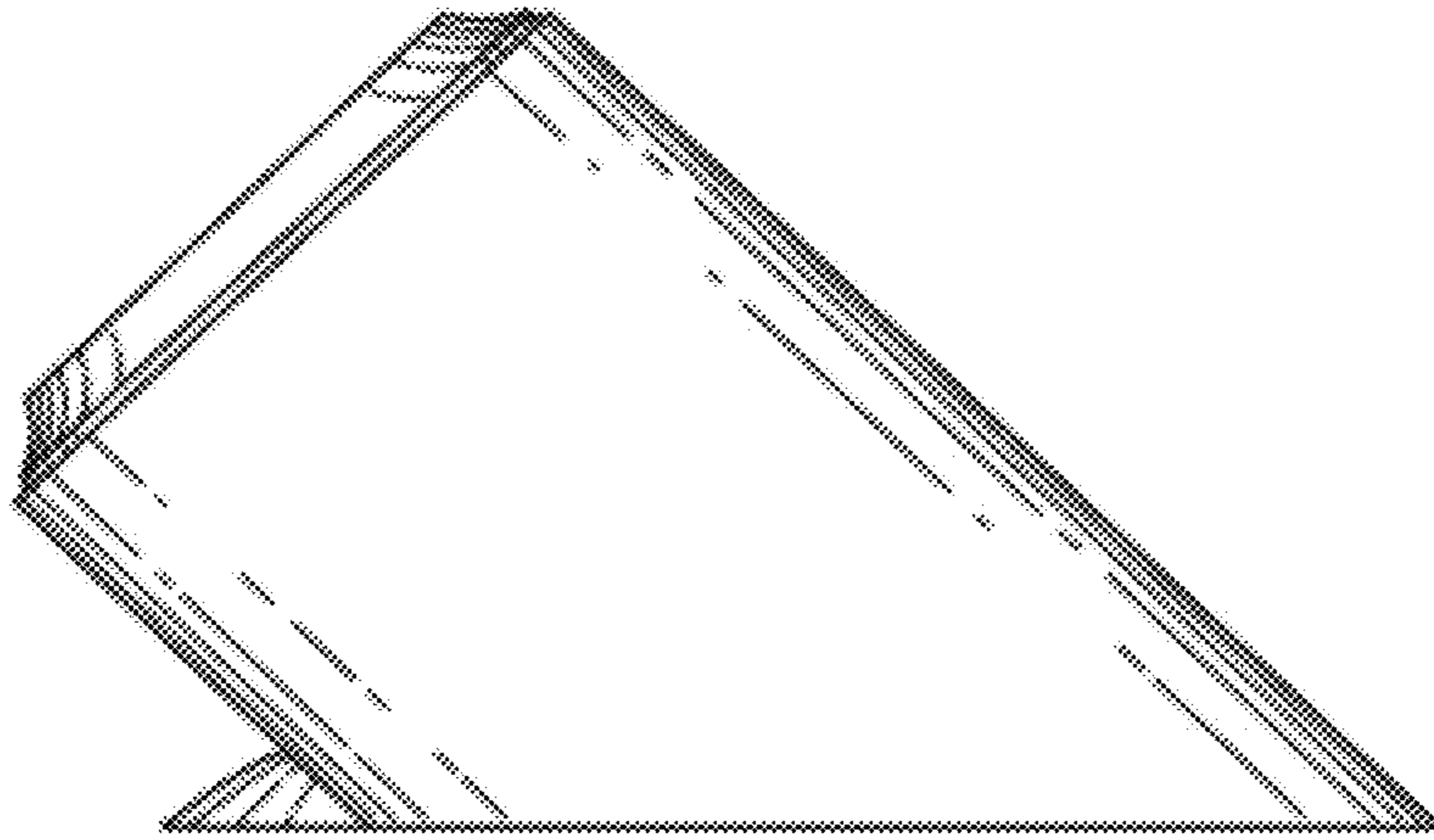


FIG. 6

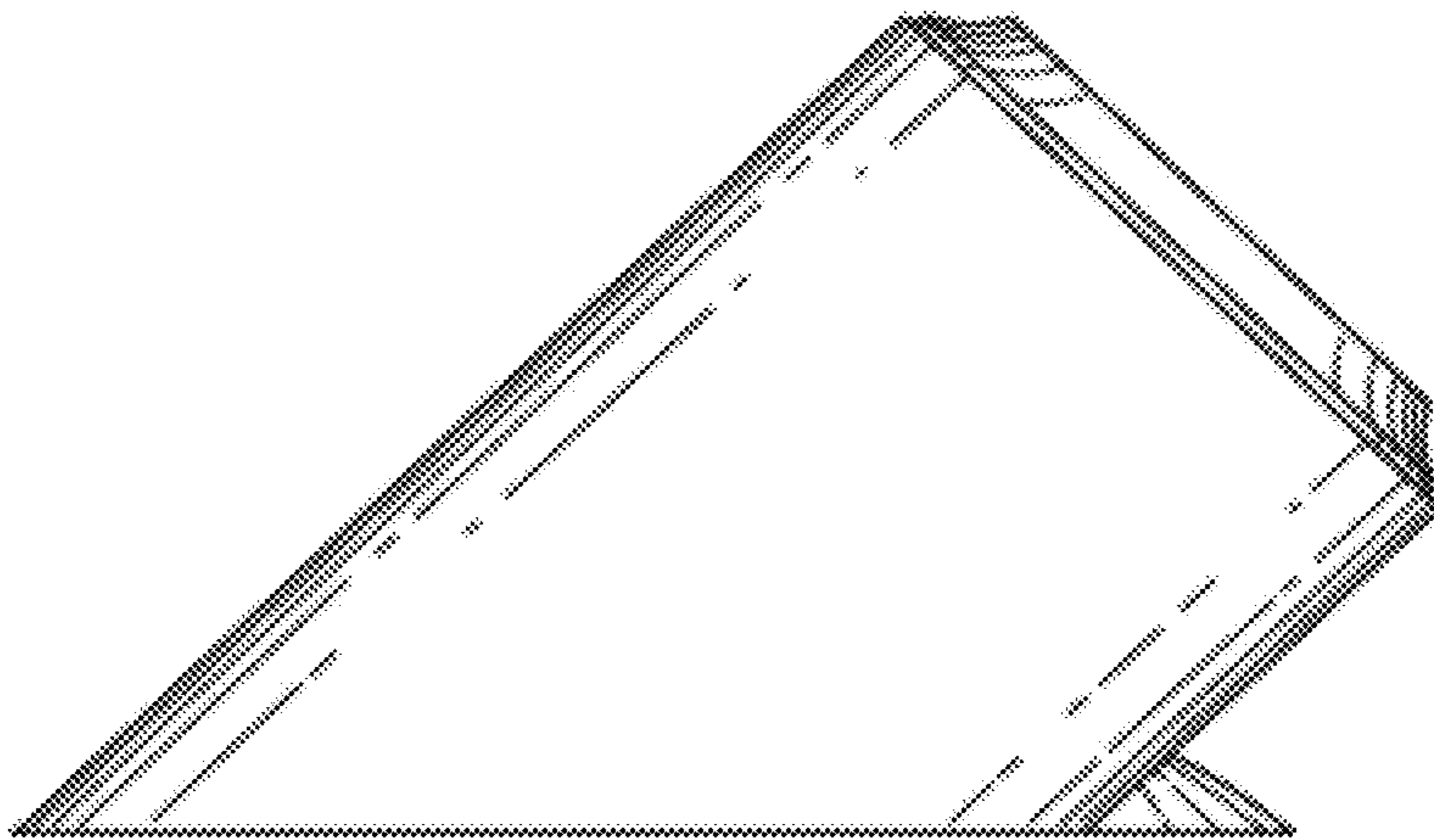


FIG. 7

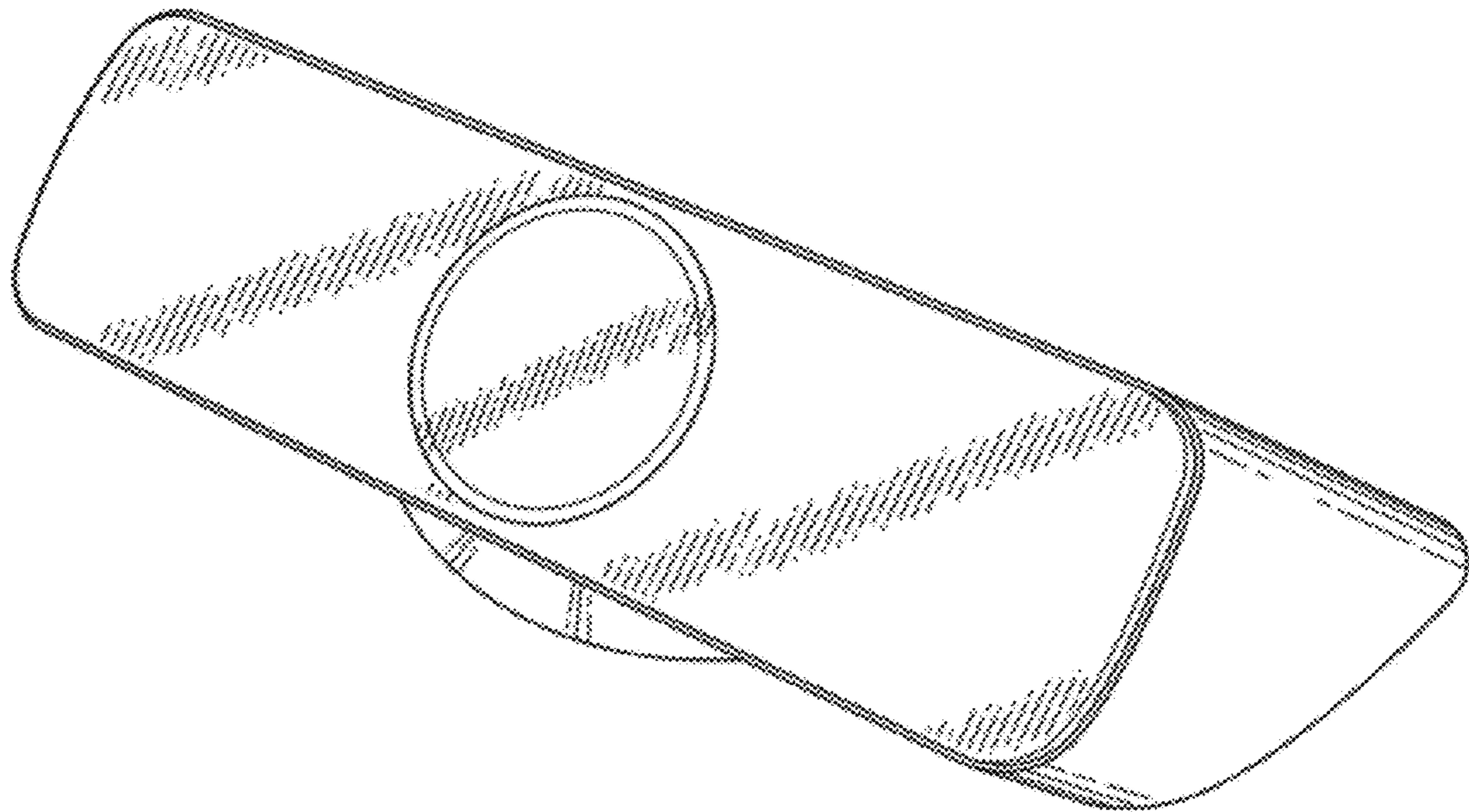


FIG. 8

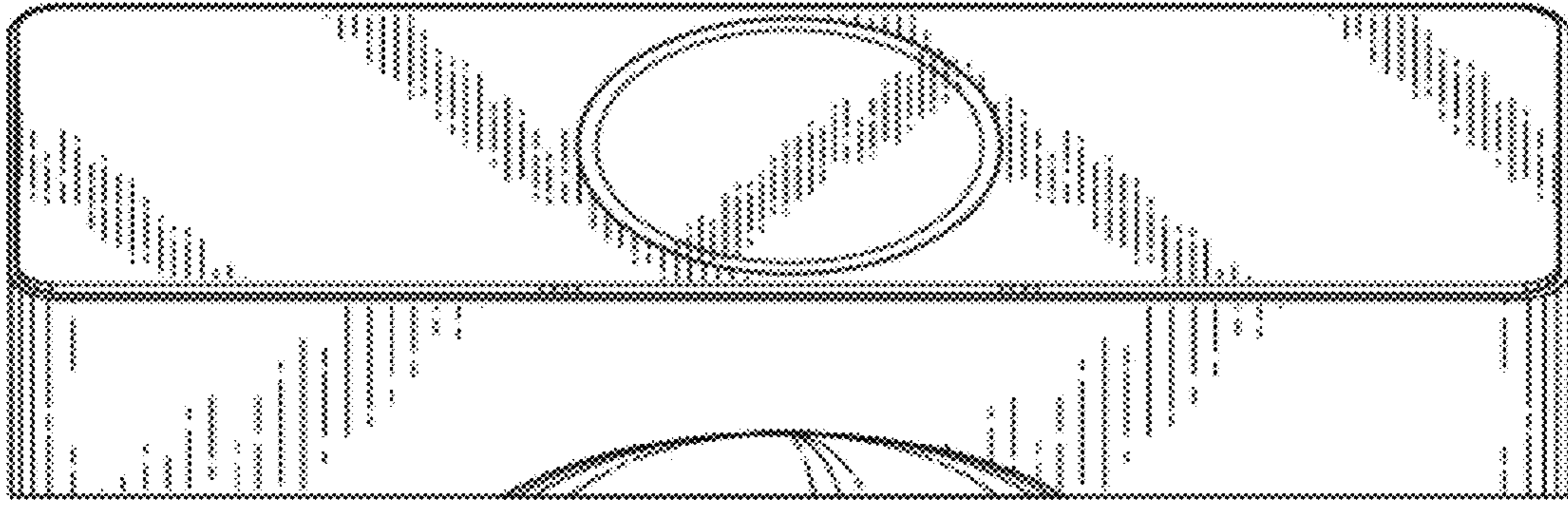


FIG. 9

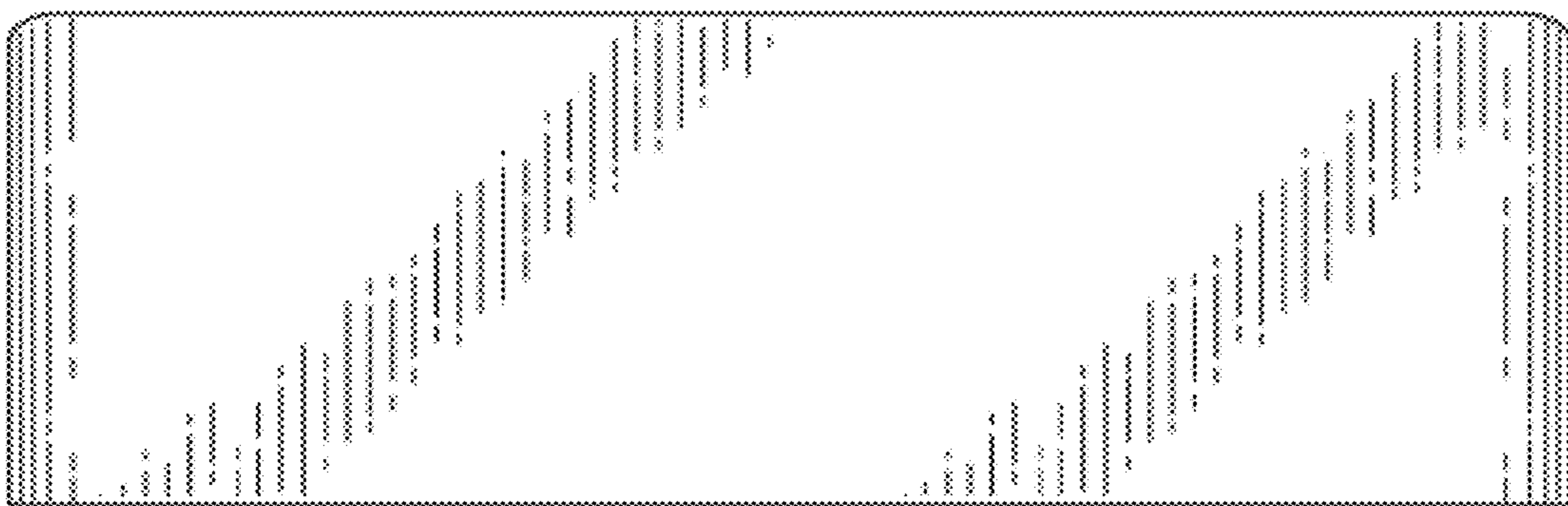


FIG. 10

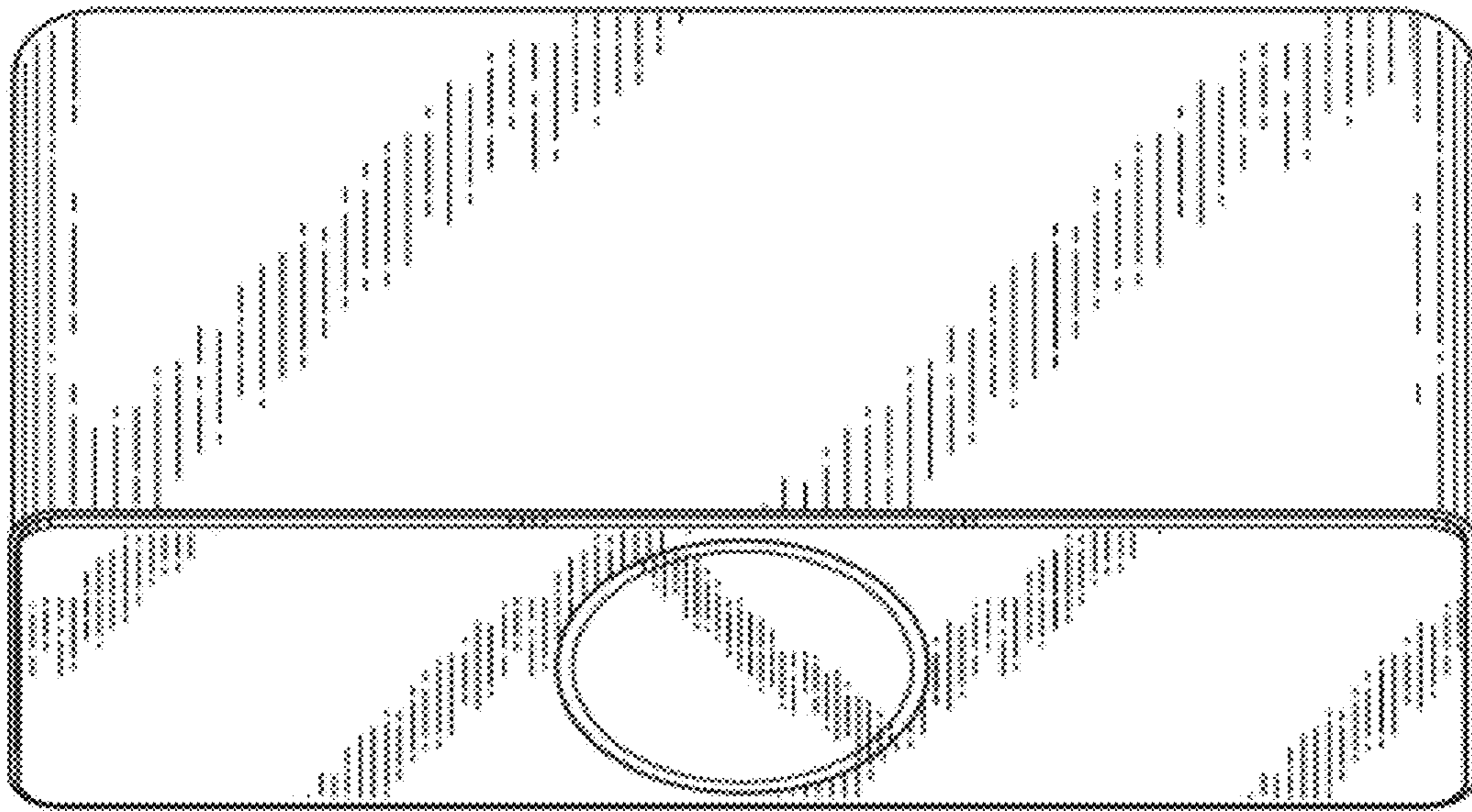


FIG. 11

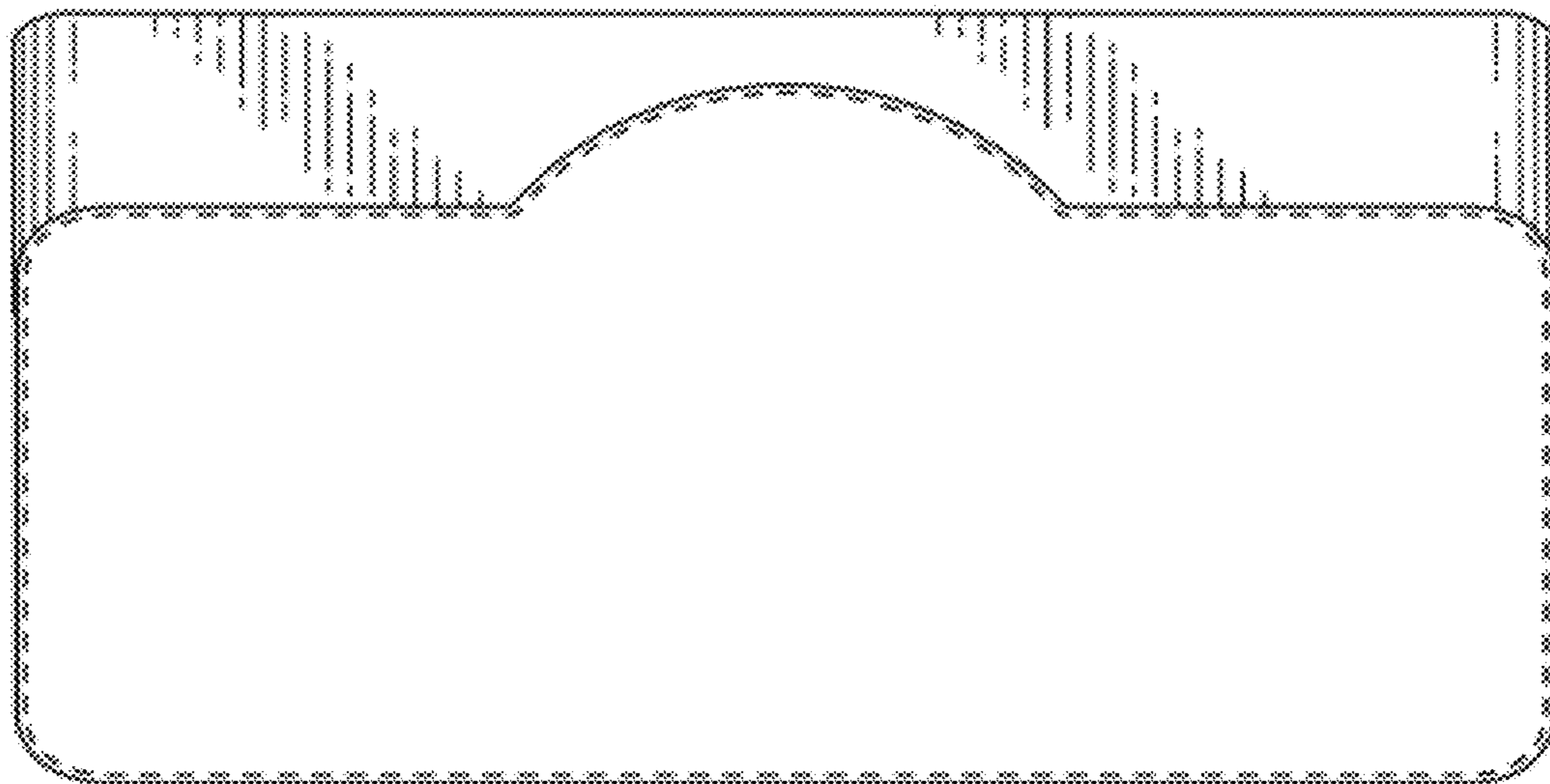


FIG. 12



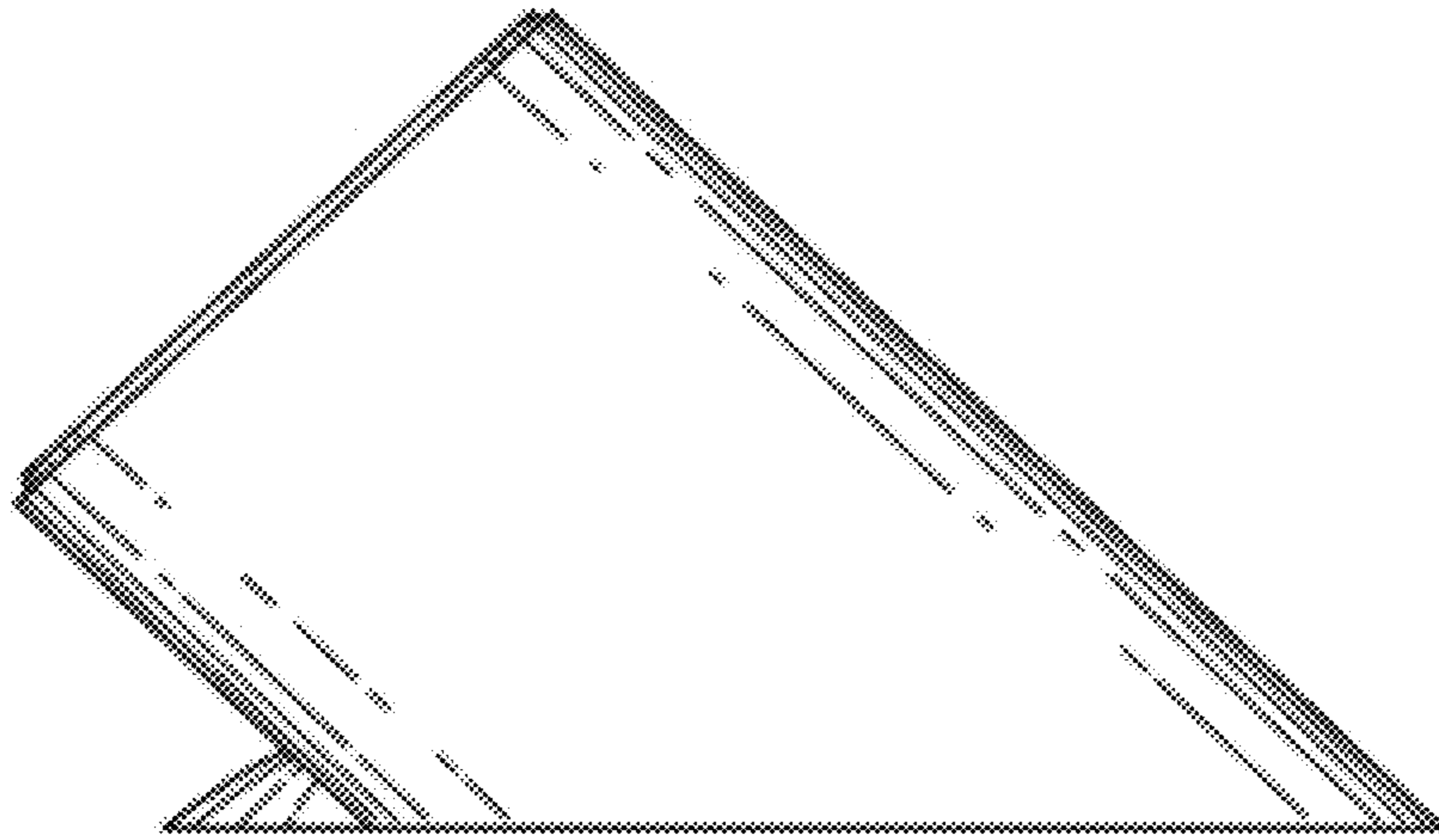


FIG. 13

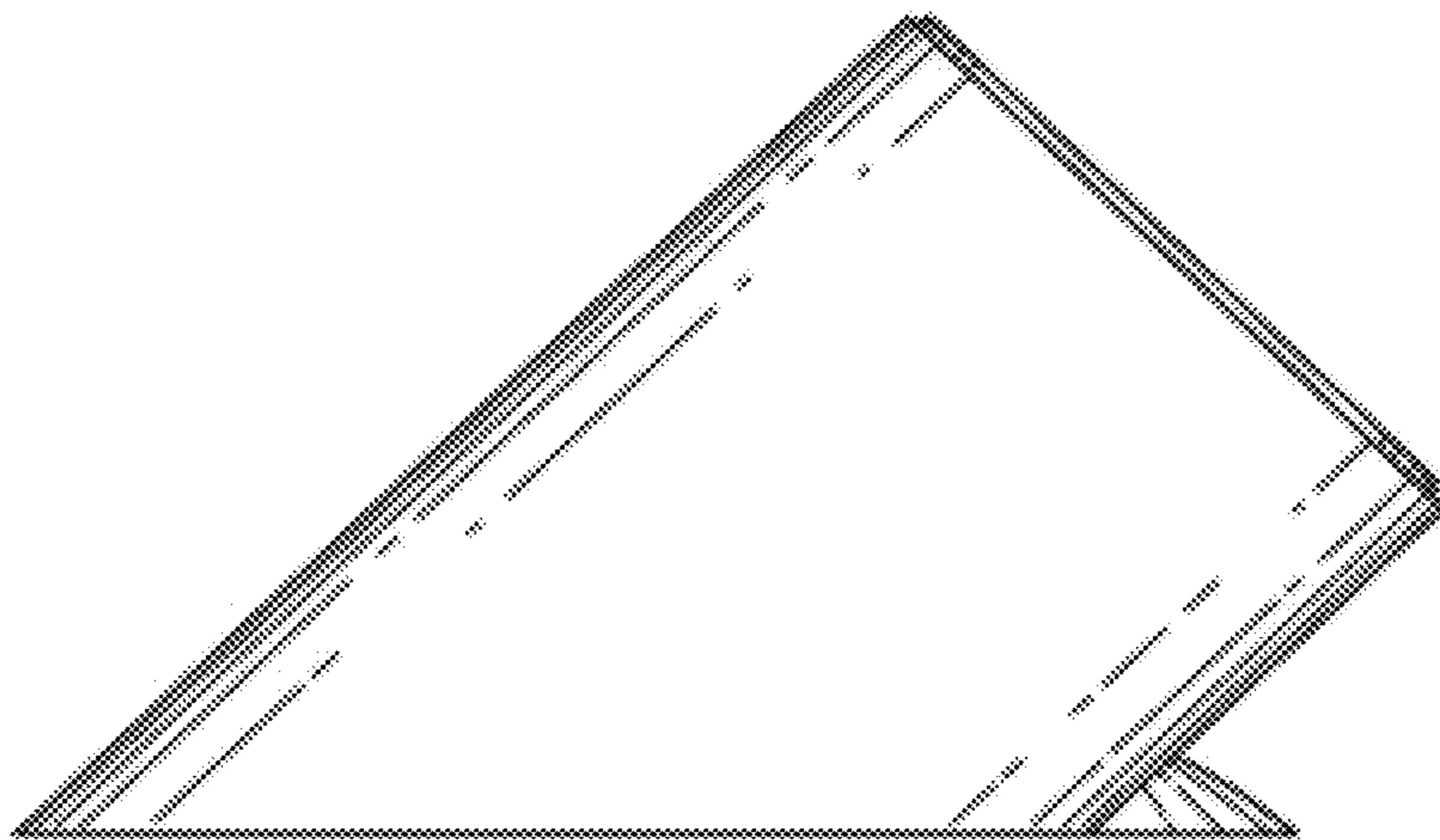


FIG. 14