



US00D674381S

(12) **United States Design Patent**
Ma

(10) **Patent No.:** **US D674,381 S**
(45) **Date of Patent:** **** Jan. 15, 2013**

(54) **UNIVERSAL STAND FOR MOBILE DEVICES**

(75) Inventor: **Hing Wai Michael Ma**, Kowloon (CN)

(73) Assignee: **Cord-It Limited**, Kowloon, Hong Kong (CN)

(**) Term: **14 Years**

(21) Appl. No.: **29/394,950**

(22) Filed: **Jun. 23, 2011**

(51) **LOC (9) Cl.** **14-03**

(52) **U.S. Cl.** **D14/253**

(58) **Field of Classification Search** D14/140,
D14/142, 147-149, 217, 240, 251-253, 432,
D14/434, 447, 452, 454, 496, 144, 451, 457,
D14/238.1, 239, 250, 137; D8/363, 373,
D8/396, 355; D12/415, 418, 422; 248/206.2-206.4,
248/220.21, 279.1, 59, 74.1, 74.2; 379/426,
379/446, 454, 455; D13/107-108; D16/242;
D21/333; 361/679.3; 320/115; 455/572,
455/569.2, 575.9; D3/218, 201; D6/466;
D10/74; 439/529

See application file for complete search history.

(56) **References Cited**

U.S. PATENT DOCUMENTS

D316,416 S * 4/1991 Cant et al. D14/252
5,933,812 A * 8/1999 Meyer et al. 705/15
6,193,546 B1 * 2/2001 Sadler 439/534
D489,325 S * 5/2004 Nakamura D13/110
D494,182 S * 8/2004 Singer et al. D14/451
D529,440 S * 10/2006 Lodato et al. D13/108
D553,106 S * 10/2007 Griffin D14/434
D554,115 S * 10/2007 Liu et al. D14/253
D554,116 S * 10/2007 Liu et al. D14/253
D584,731 S * 1/2009 Montgomery et al. D14/434
D588,985 S * 3/2009 O'Hern D13/107
D593,988 S * 6/2009 Liu et al. D14/149
D608,351 S * 1/2010 Song D14/217
D609,707 S * 2/2010 Lee D14/434
D610,084 S * 2/2010 Christopher D13/107
D621,405 S * 8/2010 Waite et al. D14/434
D627,785 S * 11/2010 Bouthillier D14/434

D642,519 S * 8/2011 Woo et al. D13/108
D646,268 S * 10/2011 DeLorenzo et al. D14/253
D647,525 S * 10/2011 Seto D14/434

OTHER PUBLICATIONS

The Magic Stand, <URL:http://www.konnex.com/new/product.asp?product_id=HO-IHD-500>, retrieved from internet Jan. 21, 2012.*

Review of The Magic Stand, posted on Apr. 12, 2011, <URL:http://blog.alansoon.com/technology-gadget-software/apple-ipad-21-iphone-43gs-ipod-touchnano-dock-charging-station-konnex-magic-stand-it-gadgets-review>, retrieved from internet Jan. 21, 2012.*

* cited by examiner

Primary Examiner — Carla Jobe Wright

(74) *Attorney, Agent, or Firm* — Alix, Yale & Ristas, LLP

(57) **CLAIM**

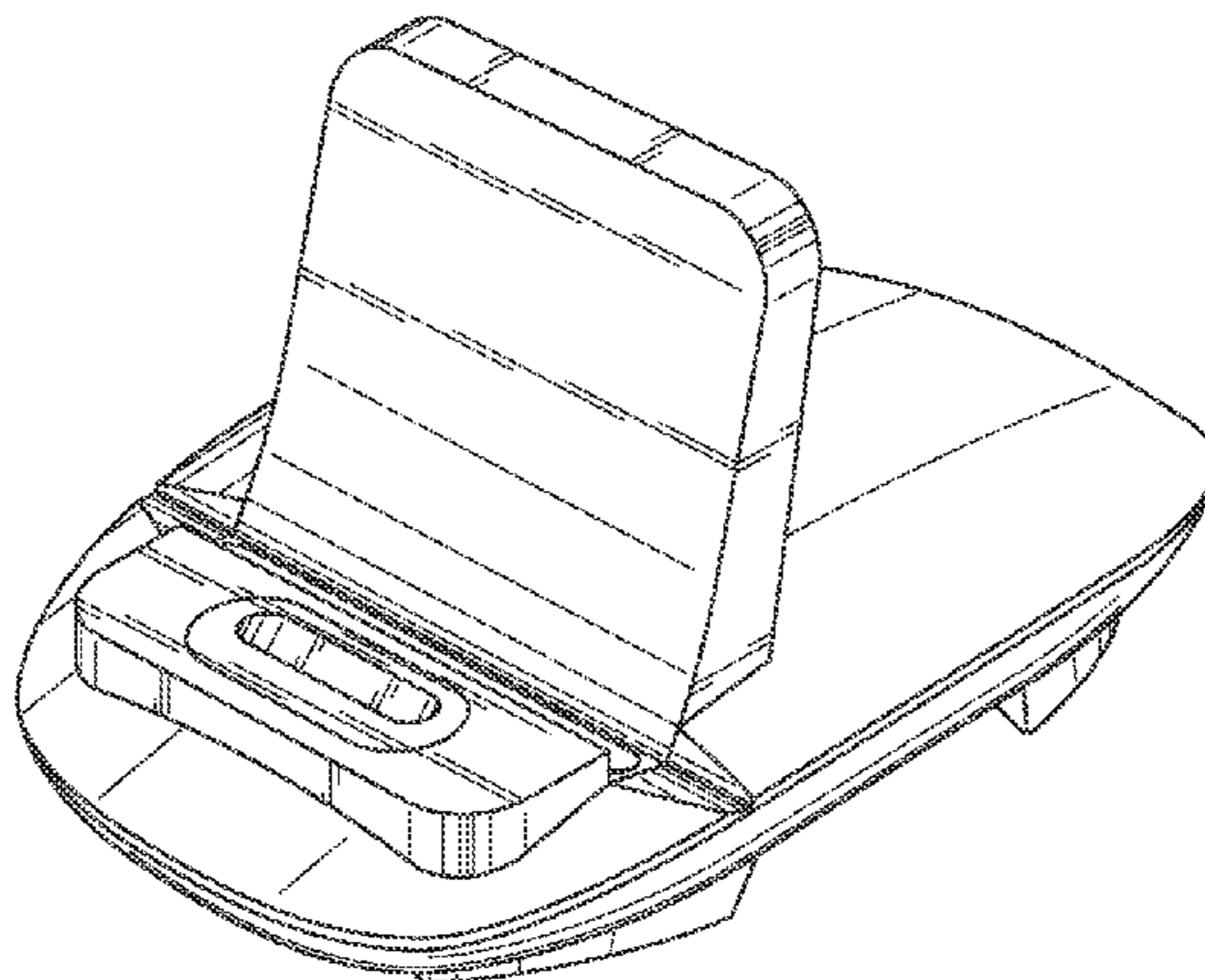
The ornamental design for a universal stand for mobile devices, as shown and described.

DESCRIPTION

FIG. 1 is a perspective exploded view of the universal stand for mobile devices showing my new design;
FIG. 2 is a perspective view of the base portion of the universal stand for mobile devices of FIG. 1;
FIG. 3 is a front view thereof;
FIG. 4 is a top plan view thereof;
FIG. 5 is a left side view thereof;
FIG. 6 is a right side view thereof;
FIG. 7 is a rear view thereof;
FIG. 8 is a bottom plan view thereof;
FIG. 9 is a perspective view of the upper portion of the universal stand for mobile devices;
FIG. 10 is a front view thereof;
FIG. 11 is a rear view thereof;
FIG. 12 is a left side view thereof;
FIG. 13 is a right side view thereof;
FIG. 14 is a top plan view thereof;
FIG. 15 is a bottom plan view thereof; and,
FIG. 16 is a perspective side view of the universal stand for mobile devices showing the two component parts in an assembled state.

The broken lines in the drawings illustrate unclaimed portions of the universal stand for mobile devices that form no part of the claimed design.

1 Claim, 8 Drawing Sheets



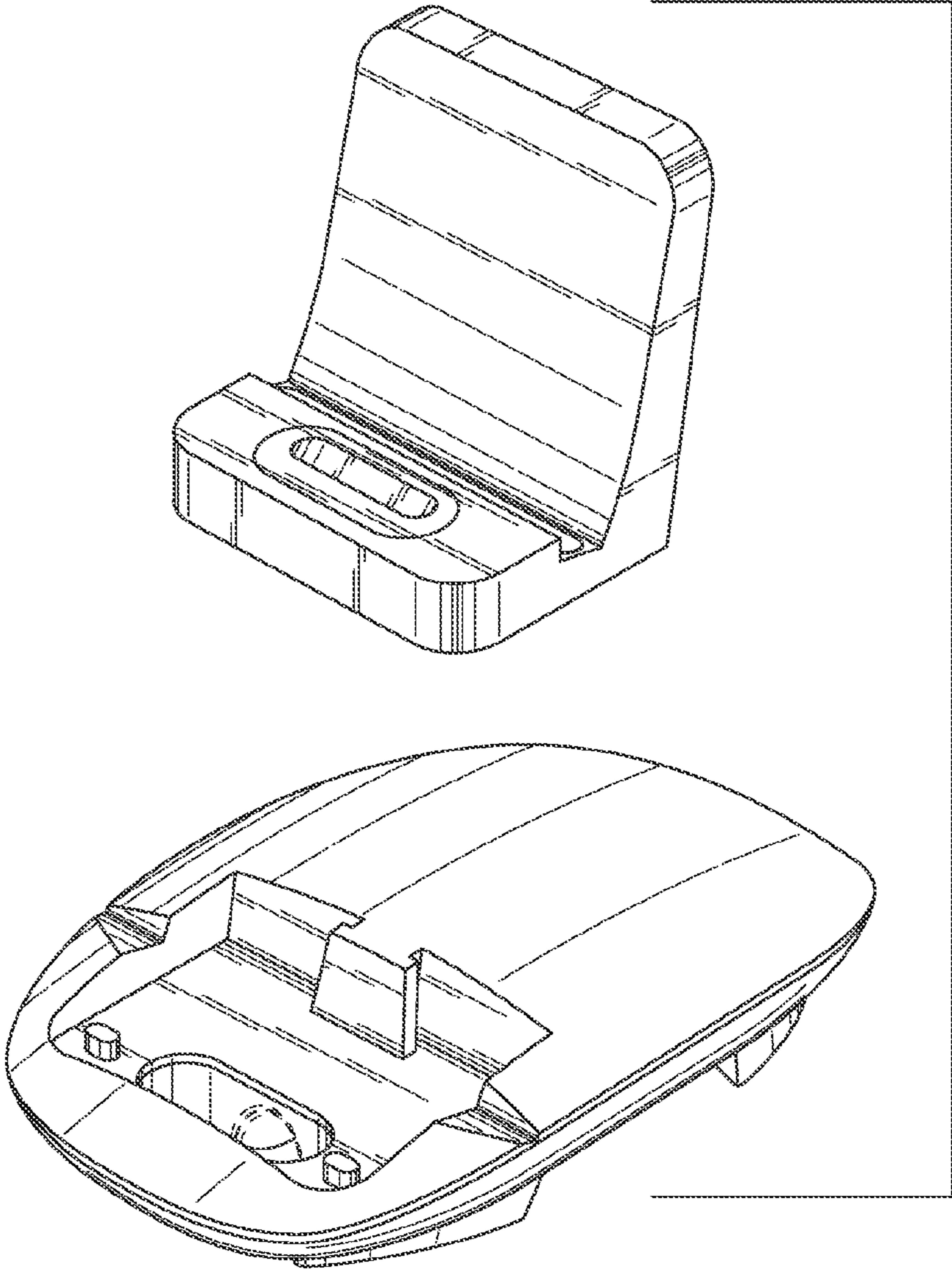


FIG. 1

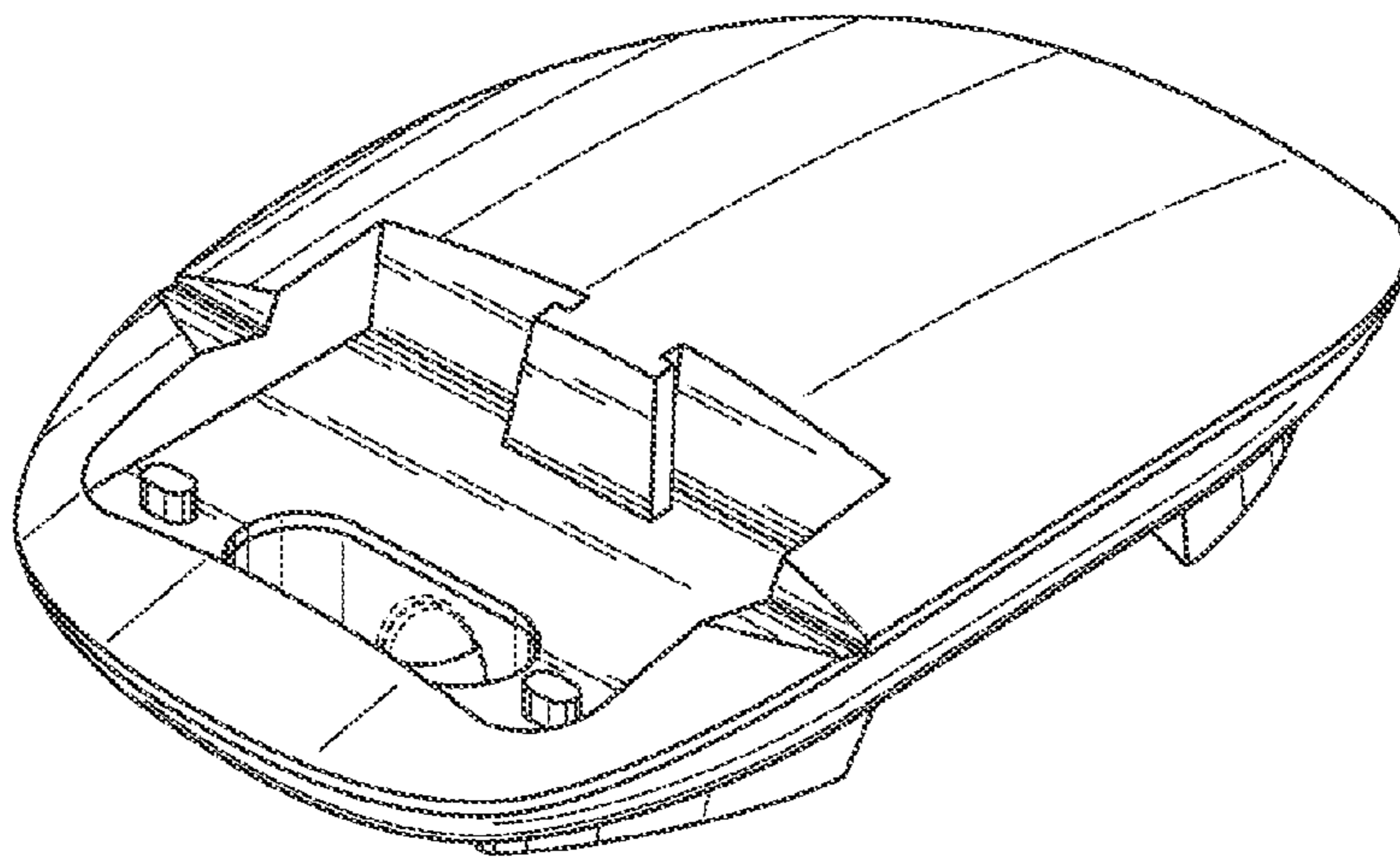


FIG. 2

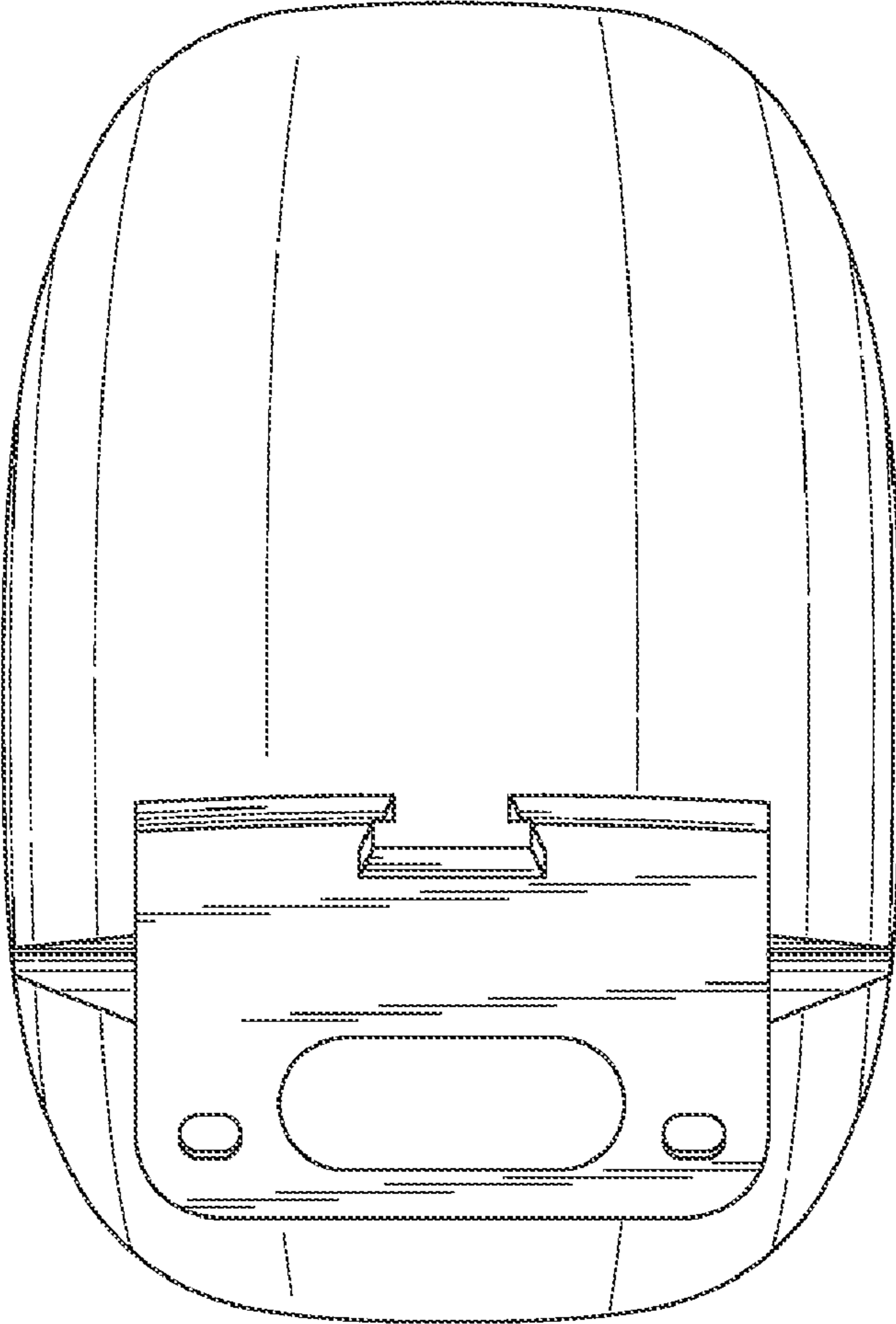


FIG. 4

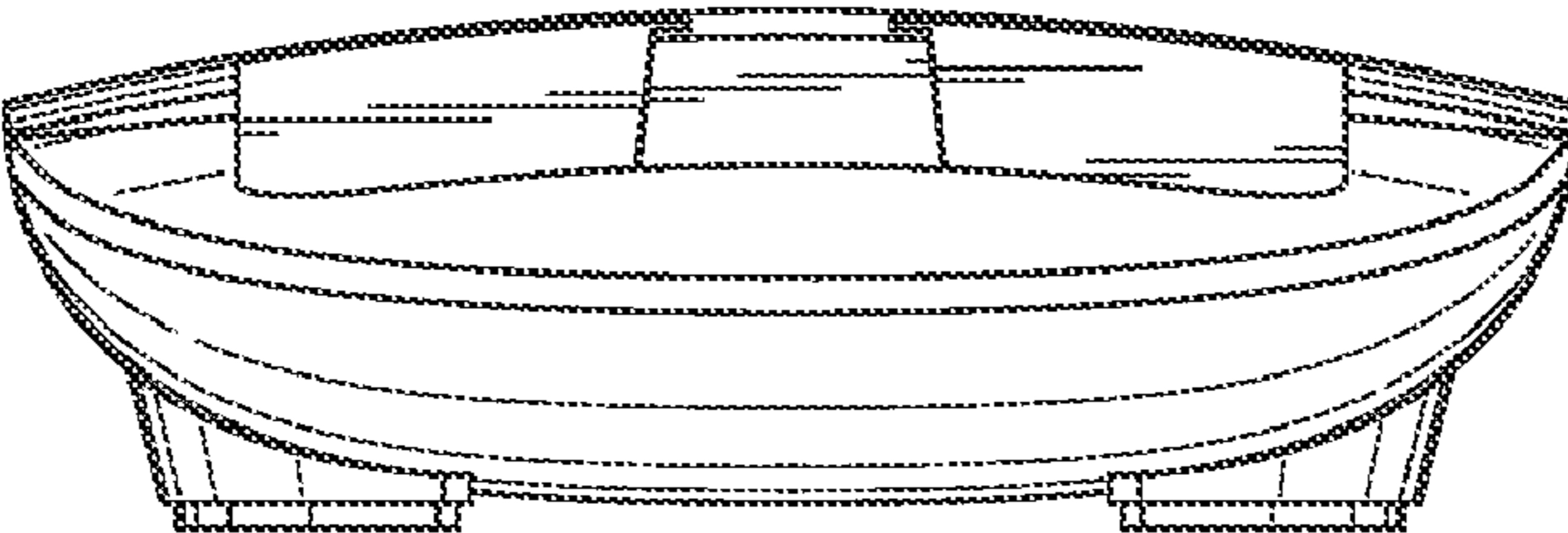


FIG. 3

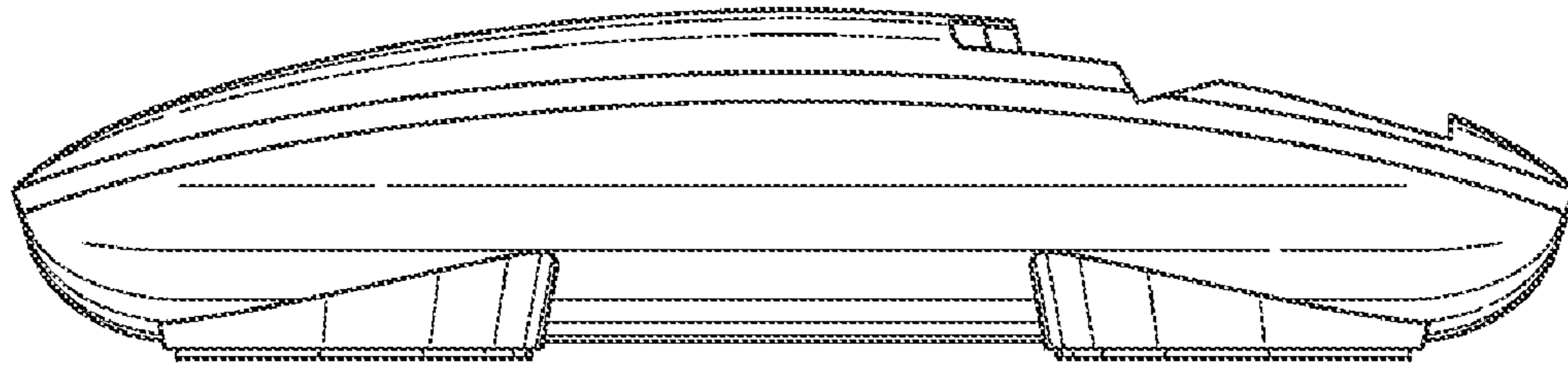


FIG. 5

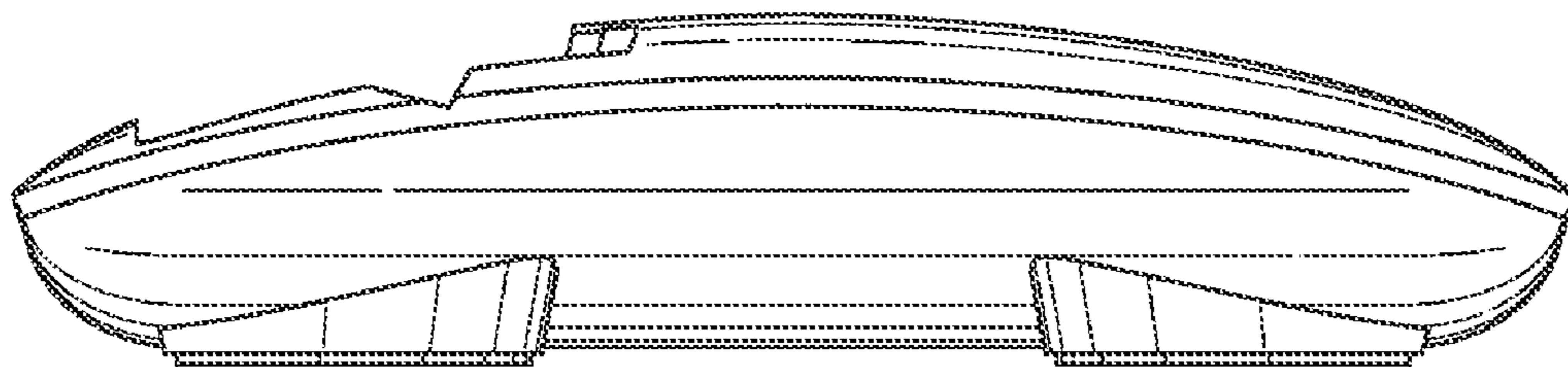


FIG. 6

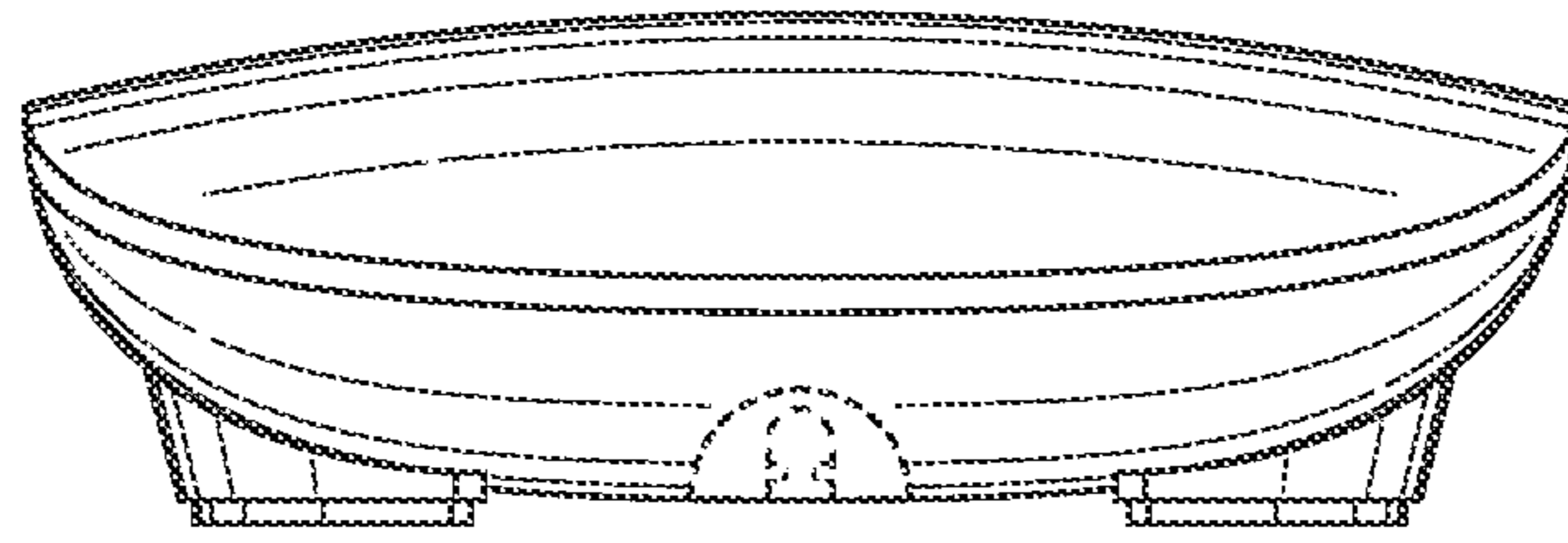


FIG. 7

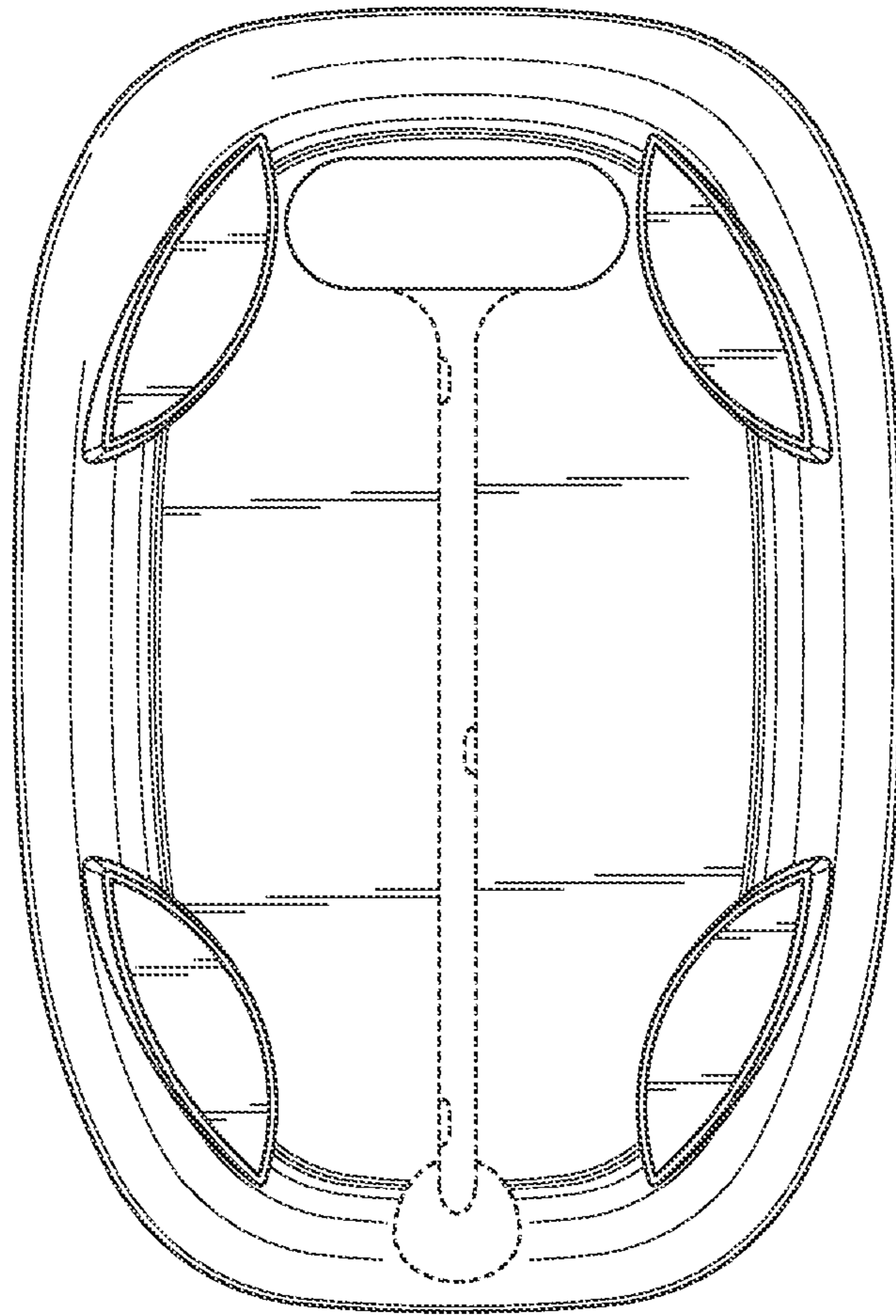


FIG. 8

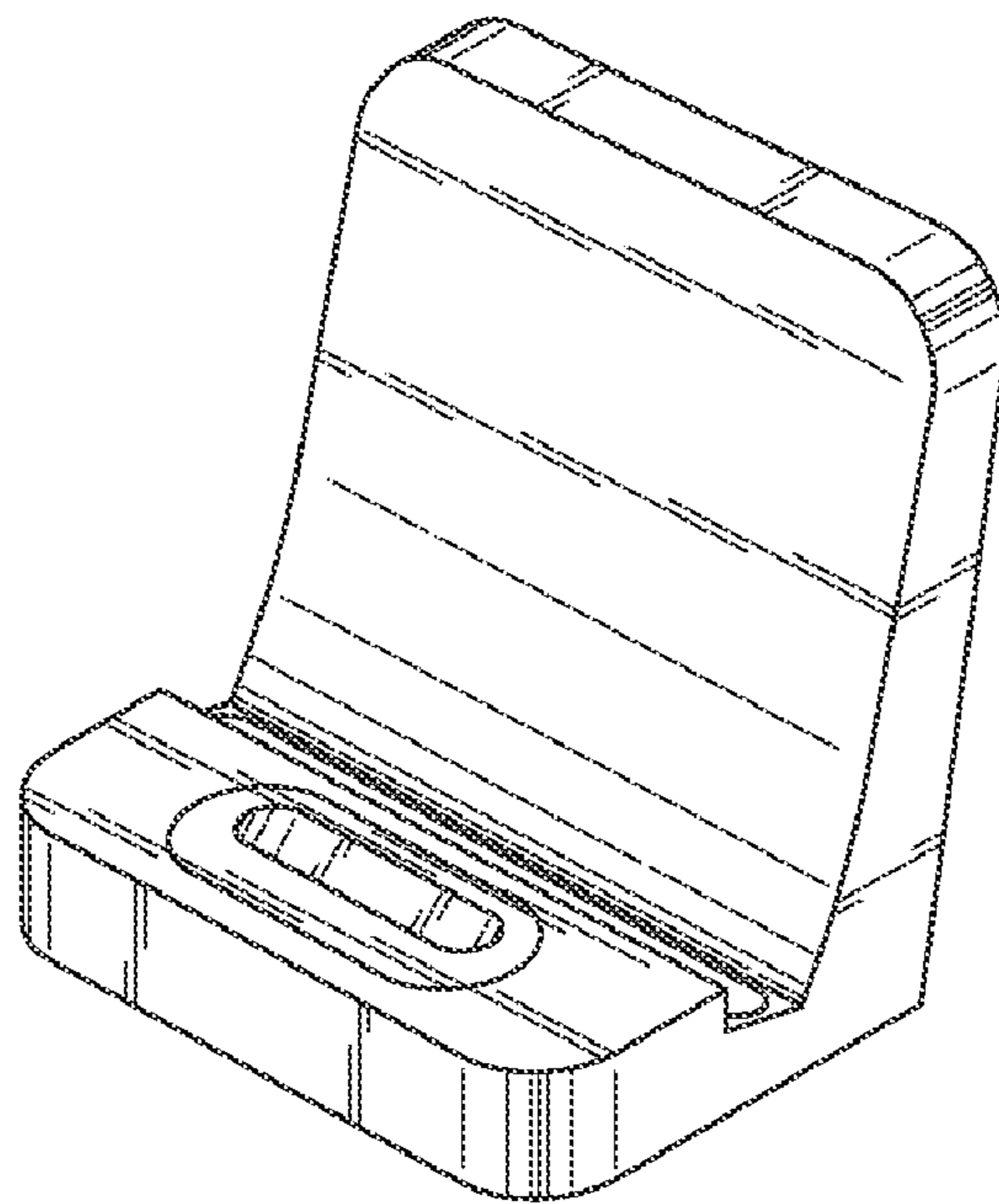


FIG. 9

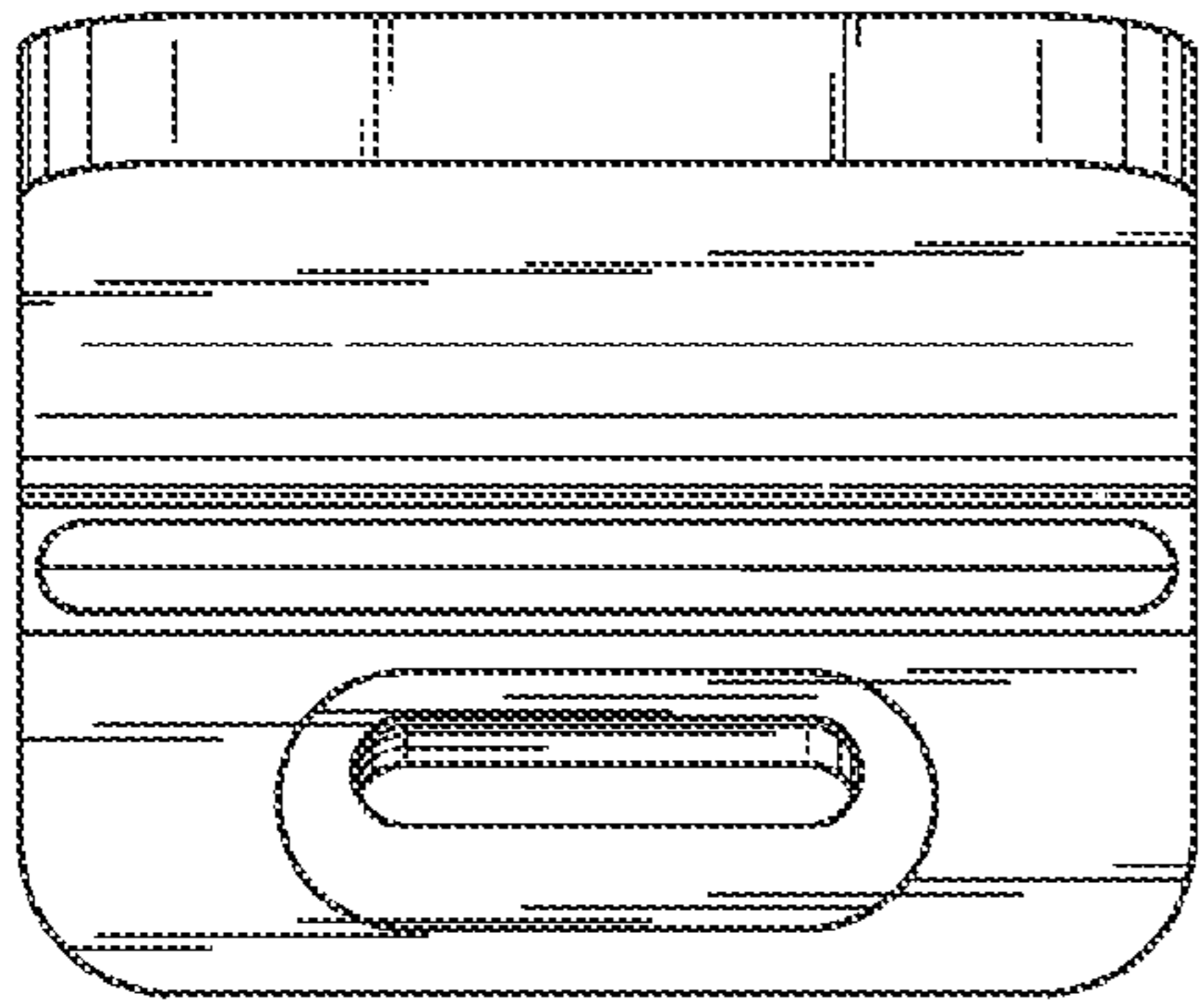


FIG. 14

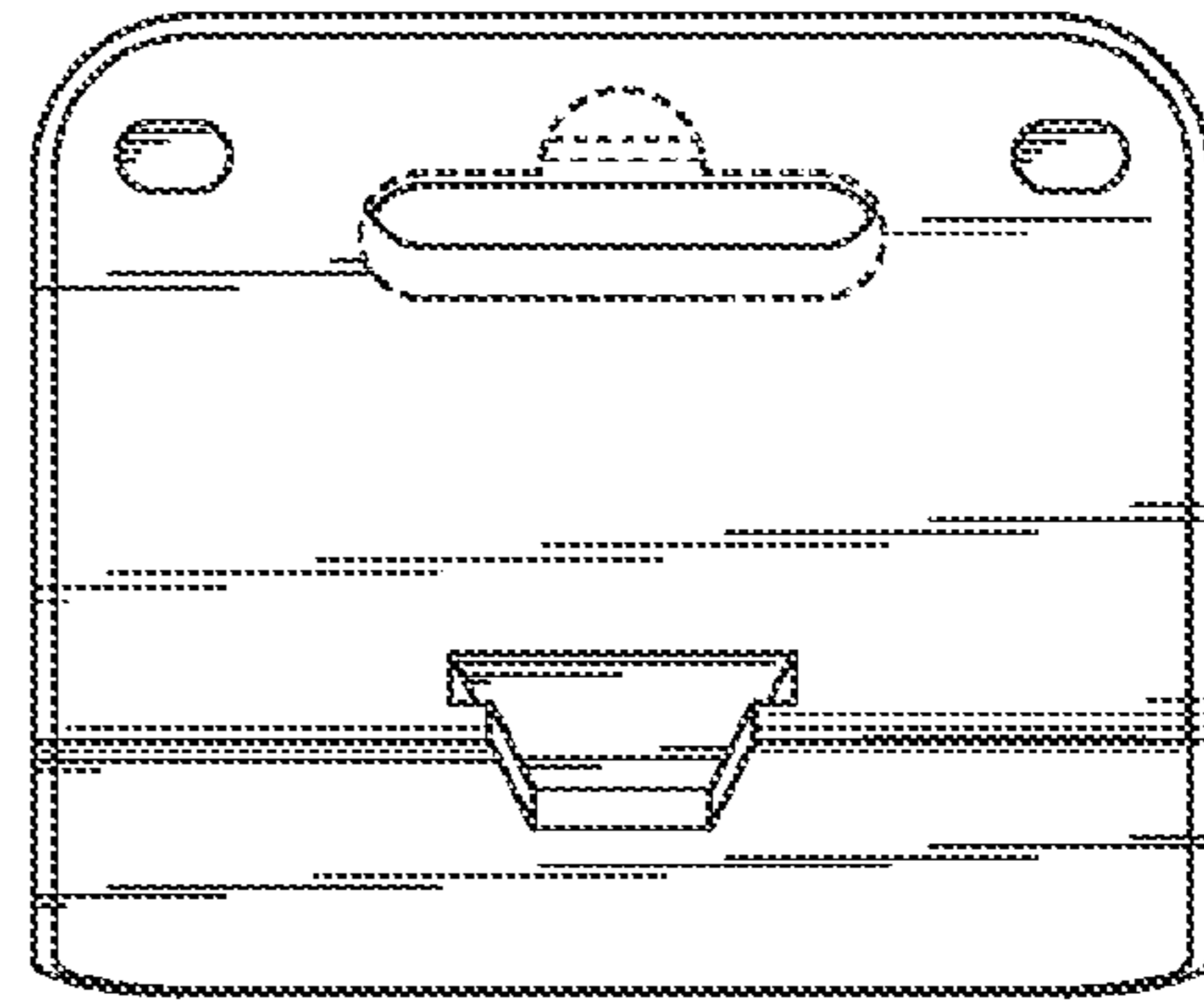


FIG. 15

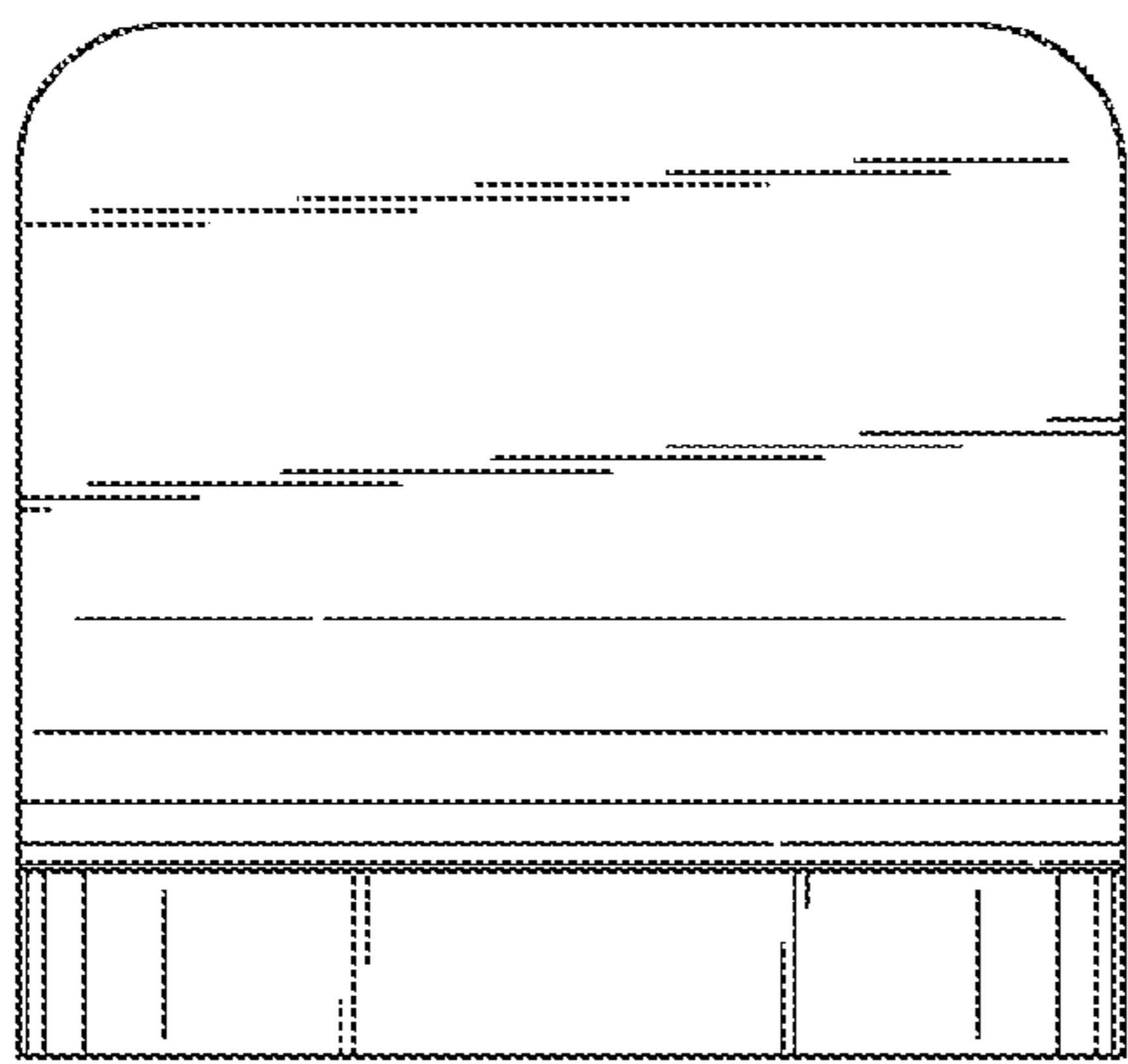


FIG. 10

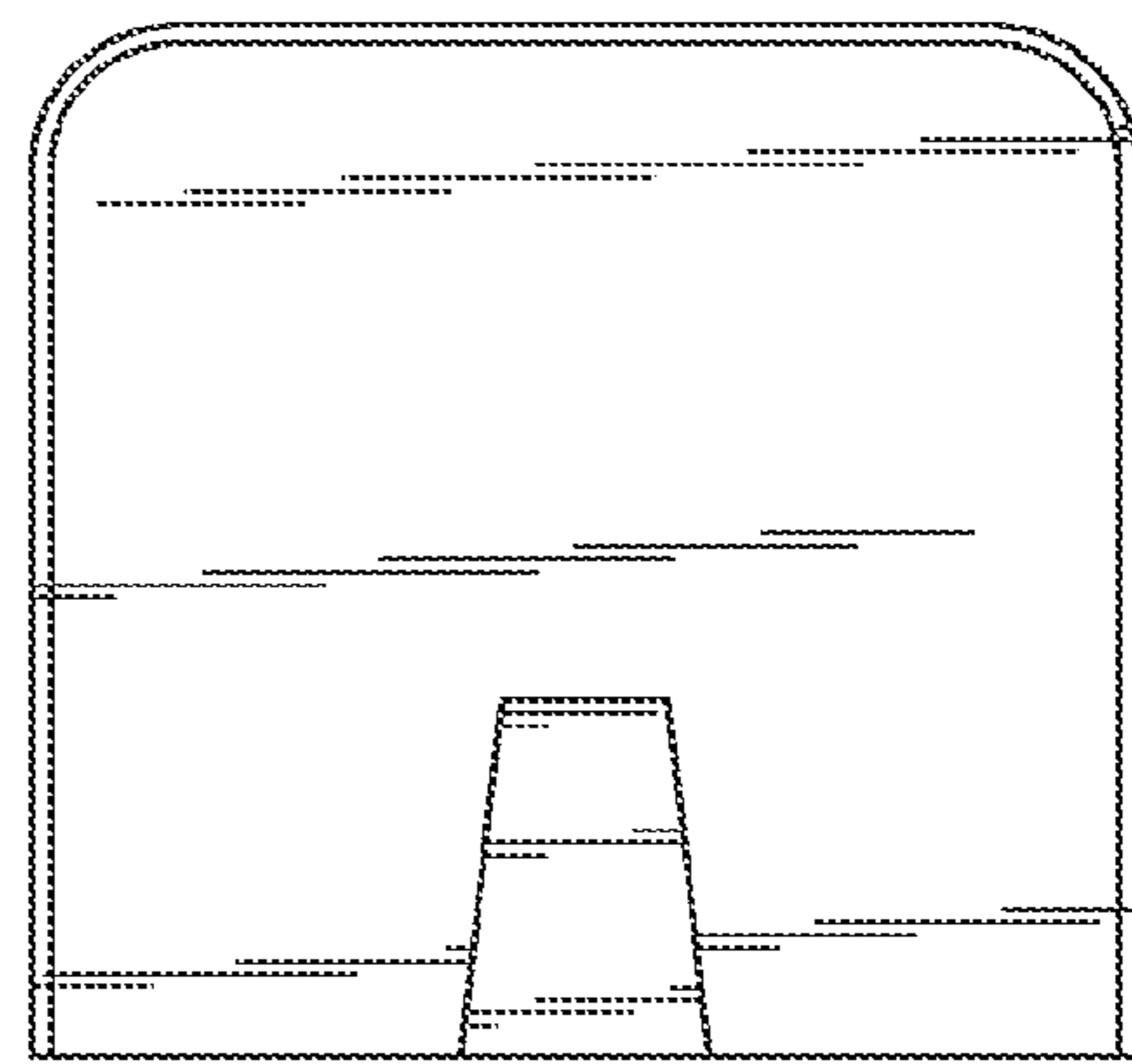


FIG. 11

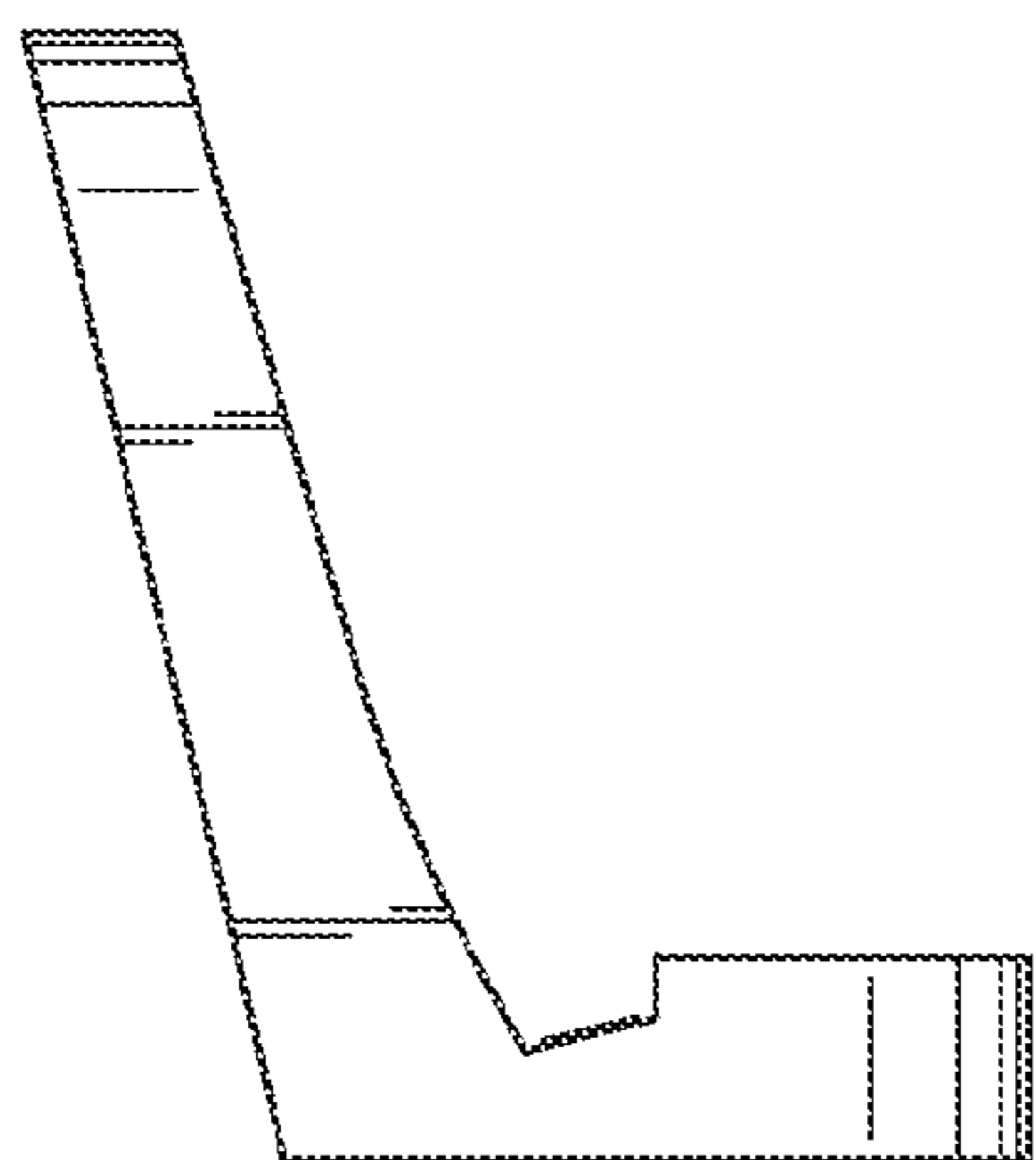


FIG. 12

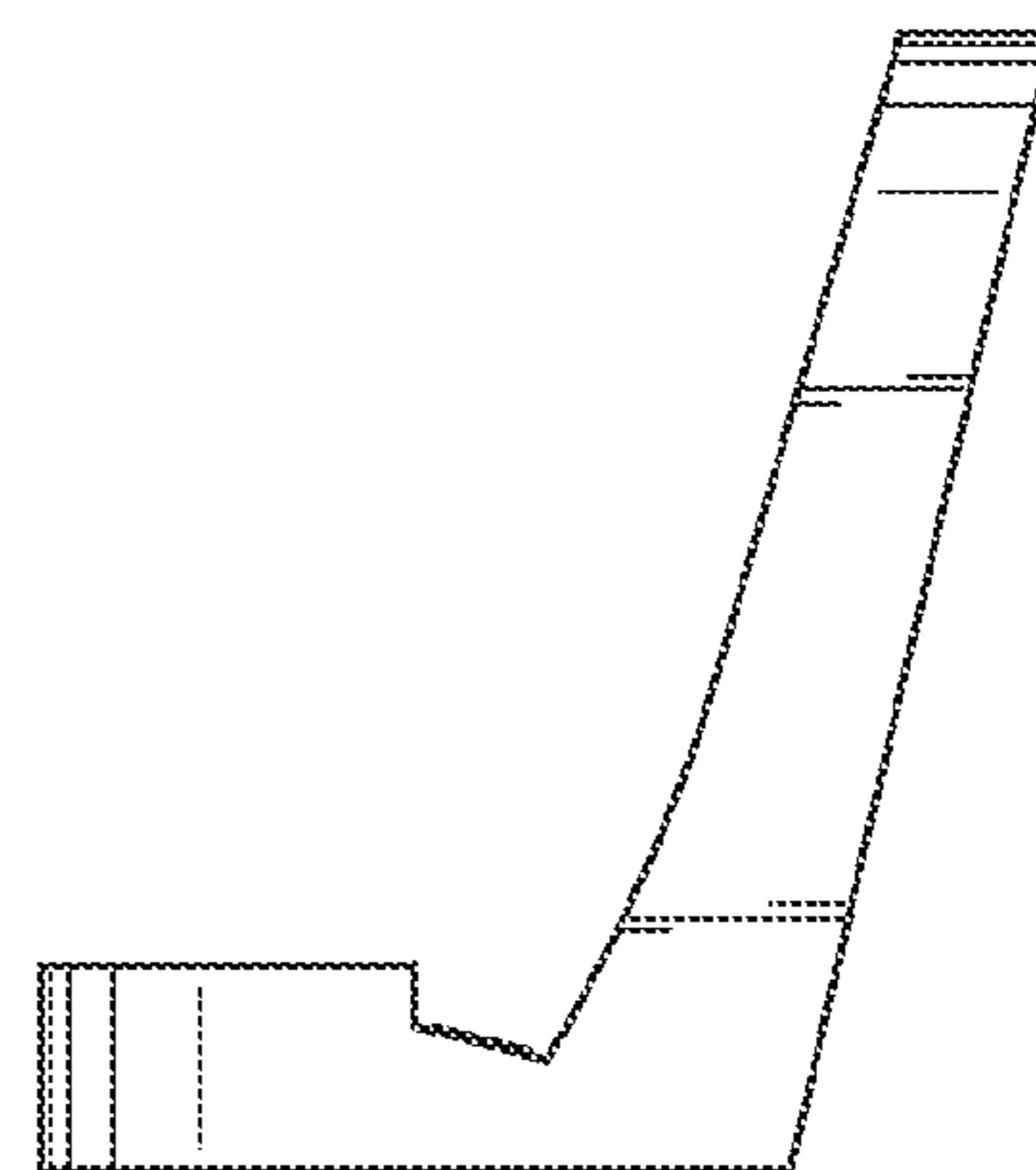


FIG. 13

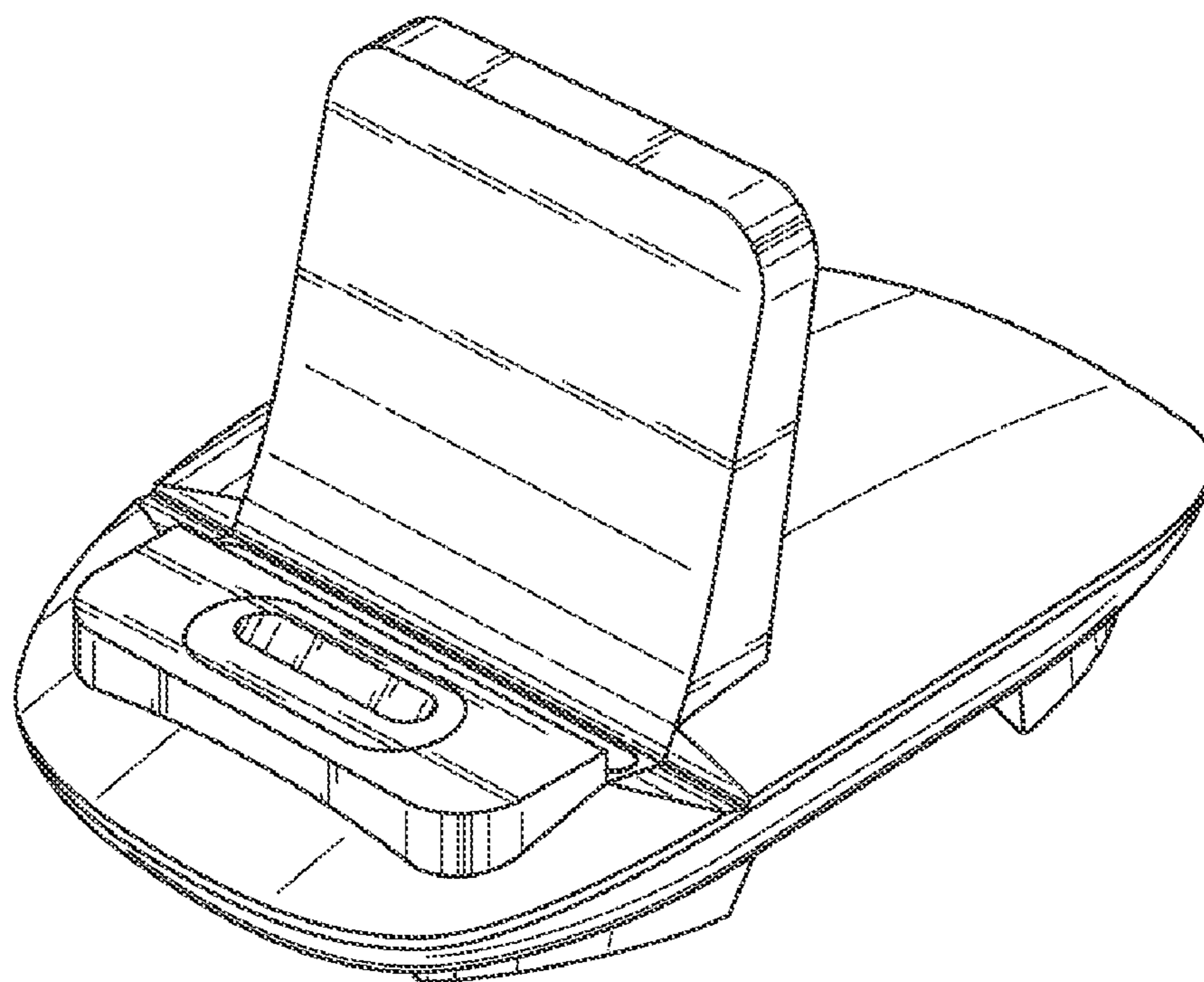


FIG. 16